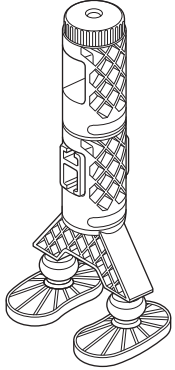


Keco Extended Height K-Beam Retro Fit Kit

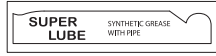
Components Included



K-Beam-EH Extended
Qty. 2

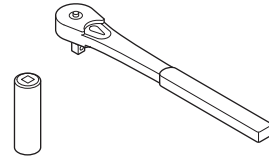


Shaft
Qty. 1

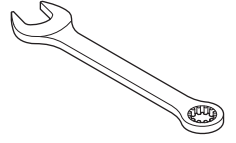


Grease Packet
Qty. 1

Tools Needed

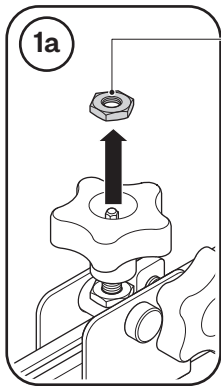


17mm socket

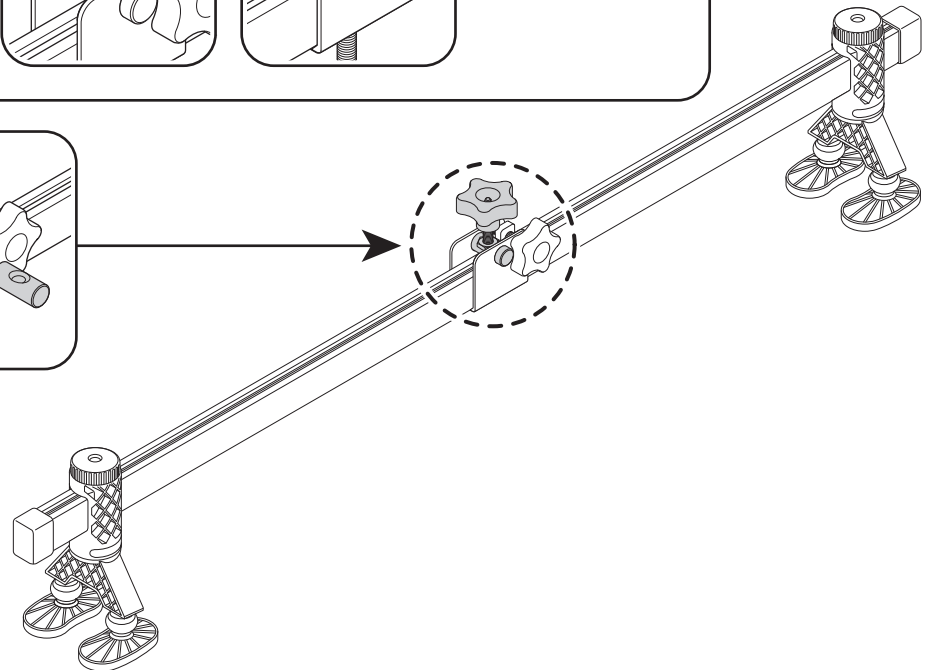
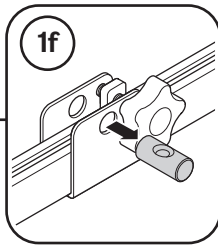
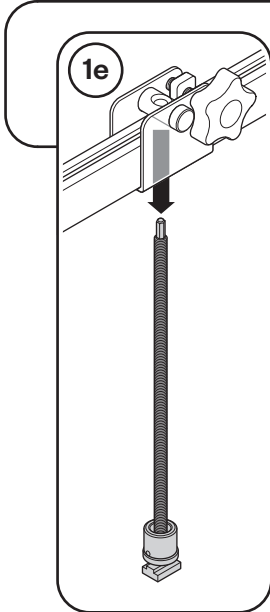
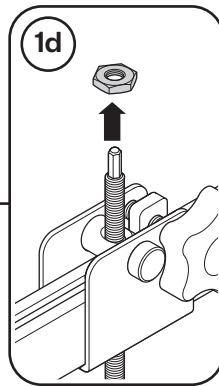
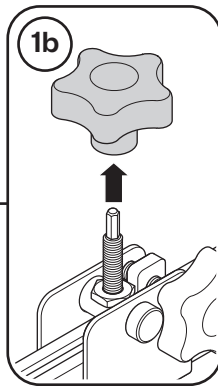


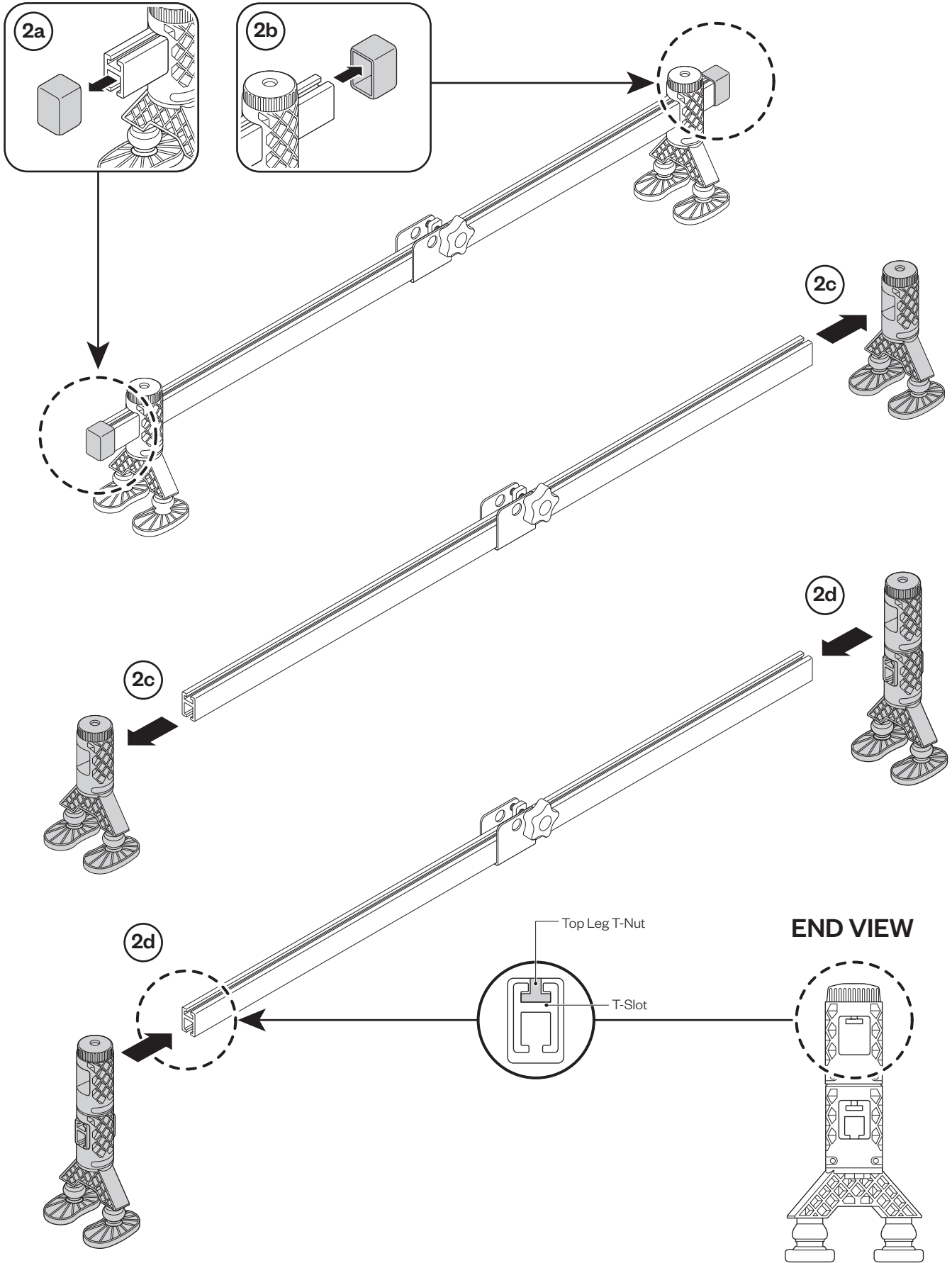
17mm wrench

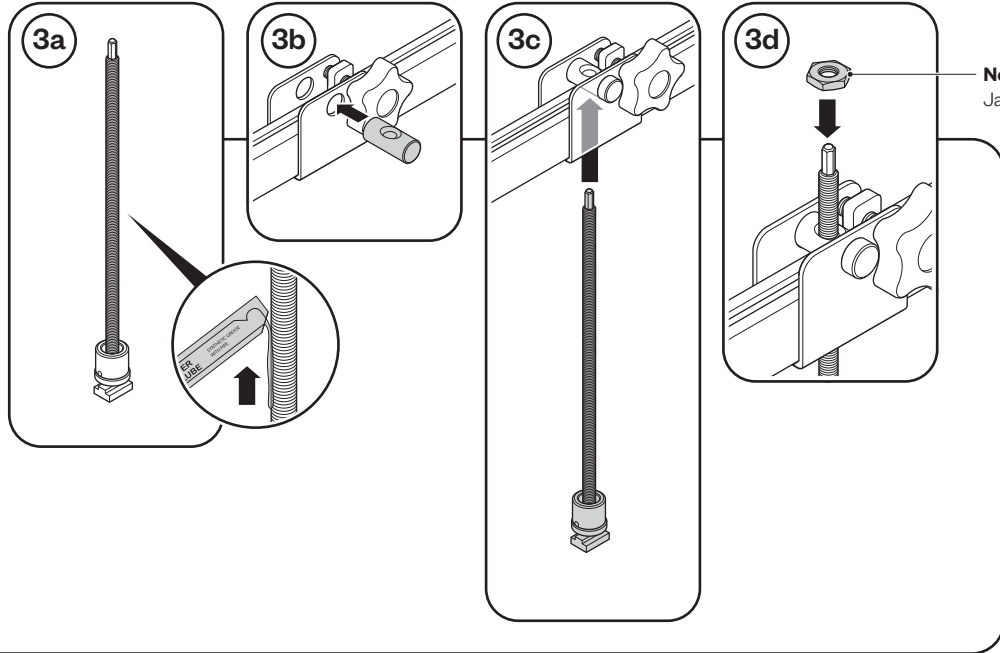
1



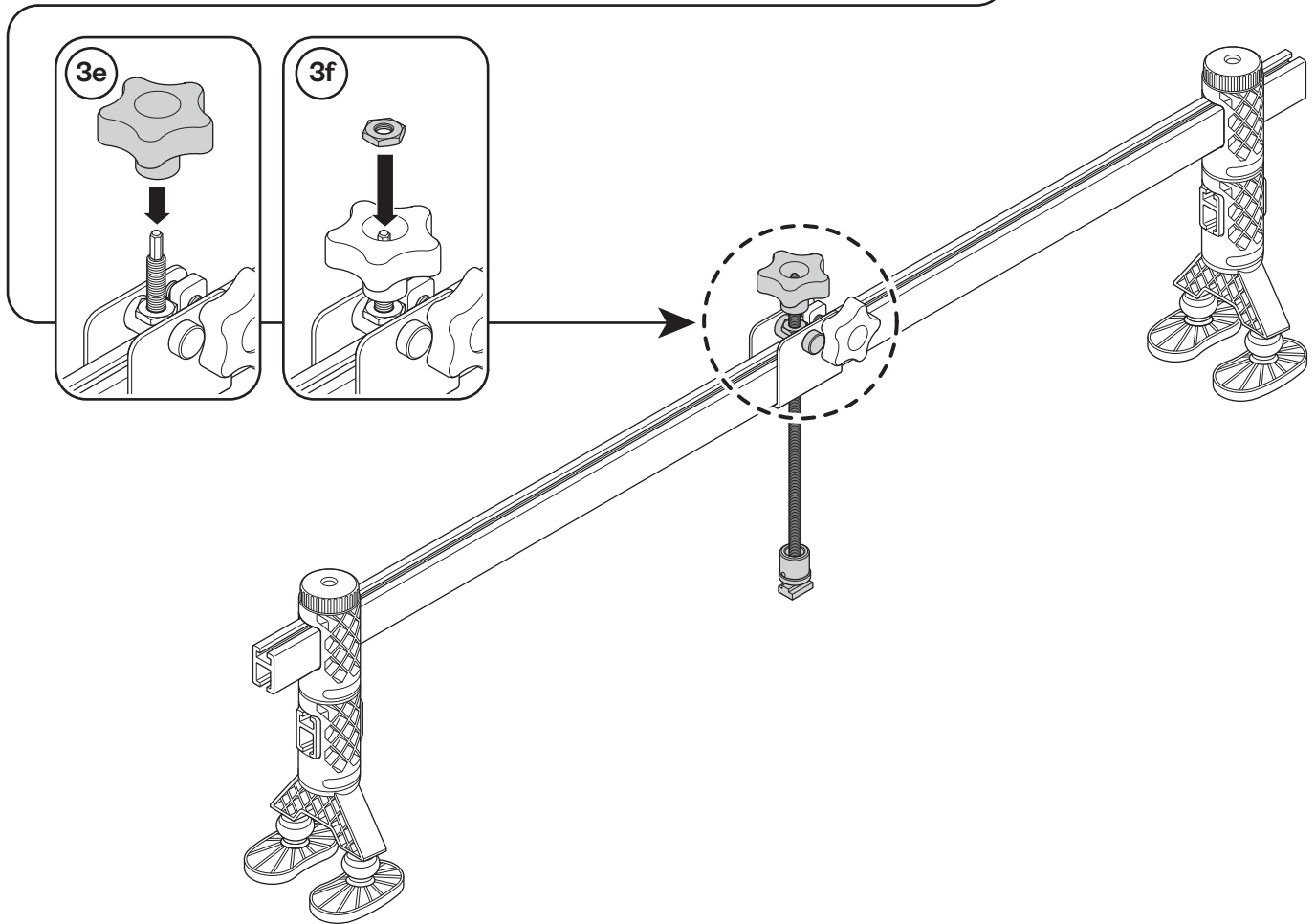
Note: Use a 17mm socket and wrench to remove the Jam Nut.



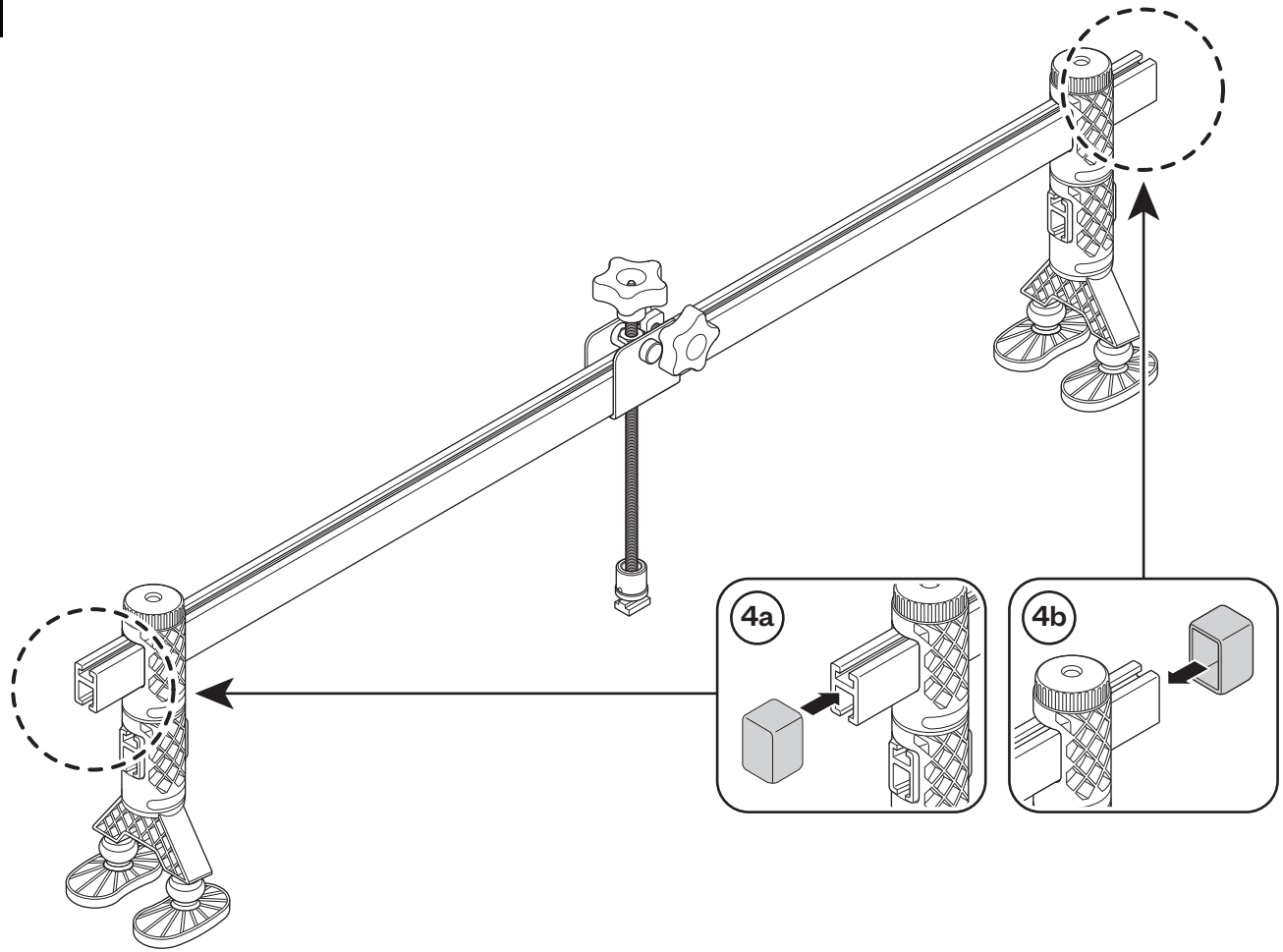




Note: It is recommended to tighten Jam Nuts to 200 in/lb torque.



4



5

