

# RD2020 ILLUMINATED WARNING SIGN



Introducing the RD2020 — a sleek, state-of-the-art LED sign meticulously crafted to revolutionize courtesy communication and efficiency across a wide range of industries, including government, military, defense, broadcast, media, television, healthcare, and private facilities. Expertly engineered for outstanding performance and durability, the RD2020 delivers a seamless user experience, featuring customizable messaging tailored to meet your unique operational needs.



## DIMENSIONS

	Metric	Imperial
Width	215 mm	8.46 "
Height	130 mm	5.12 "
Depth	60 mm	2.36 "

## MOUNTING

	Metric	Imperial
Hole Size	5mm	0.1969"
Fastner x2	4.2 mm	#8
Alternate	3M VHB	3M VHB

## MATERIAL

<b>Housing</b>	Premium cast metal alloy
<b>Facia</b>	Shatterproof polycarbonate
<b>Fixture</b>	Stainless steel
<b>Gasket</b>	Silicone rubber

## INPUT VOLTAGE

<input checked="" type="checkbox"/> 12 volts DC	<input checked="" type="checkbox"/> 120 volts AC
<input checked="" type="checkbox"/> 24 volts DC	<input checked="" type="checkbox"/> 240 volts AC
<input checked="" type="checkbox"/> Battery	<input checked="" type="checkbox"/> Custom

## ENVIROMENT

<b>Operating Range</b>	-20°C to 50°C -4°F to 122°F
<b>IP55 Dust &amp; Liquid Protection Rating</b>	

## OPTIONAL TRIGGERS

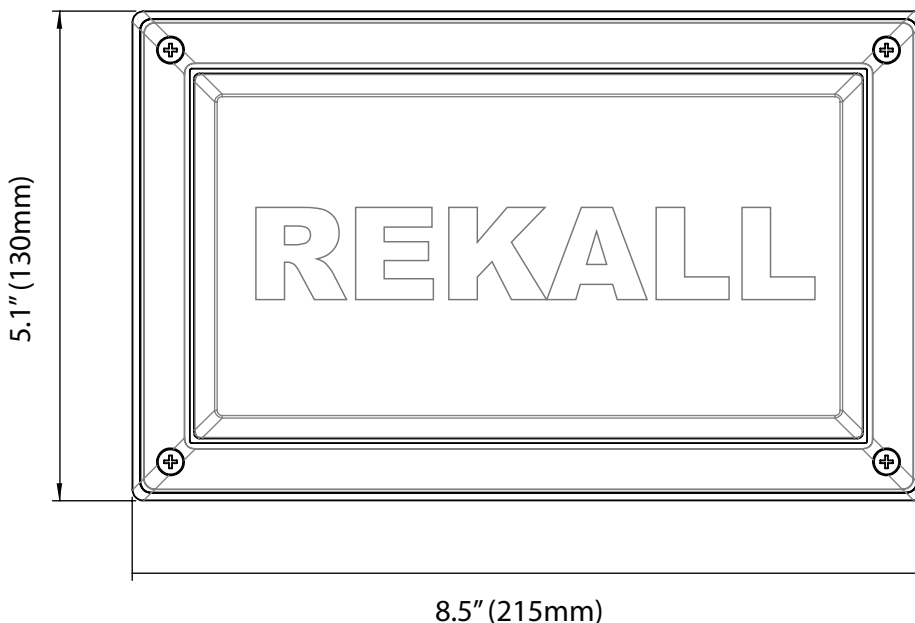
<input checked="" type="checkbox"/> WIFI	<input checked="" type="checkbox"/> DALI
<input checked="" type="checkbox"/> BLUETOOTH	<input checked="" type="checkbox"/> 0-10V
<input checked="" type="checkbox"/> DMX	<input checked="" type="checkbox"/> PWM

## STANDARD VARIANTS

Voltage	Part-No	Illumination	Consumption	CCT
12v DC	RD2020-12	18 SMD LED	9W	6000k
24v DC	RD2020-24	18 SMD LED	9W	6000k
120v AC	RD2020-120	14 SMD LED	9W	6000k
240v AC	RD2020-240	29 SMD LED	9W	6000k
Custom	RD2020-GO	SMD LED	custom	custom

## SUPPLIER

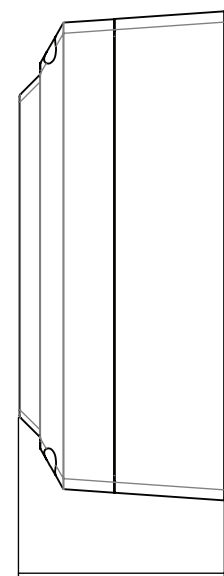
<b>Product is supplied for trade direct from the manufacturer.</b>
Rekall Dynamics rekalldynamics.com
info@rekalldynamics.com
This is not a safety device. You must consult with equipment manufacturer or certified electrician for sutability.



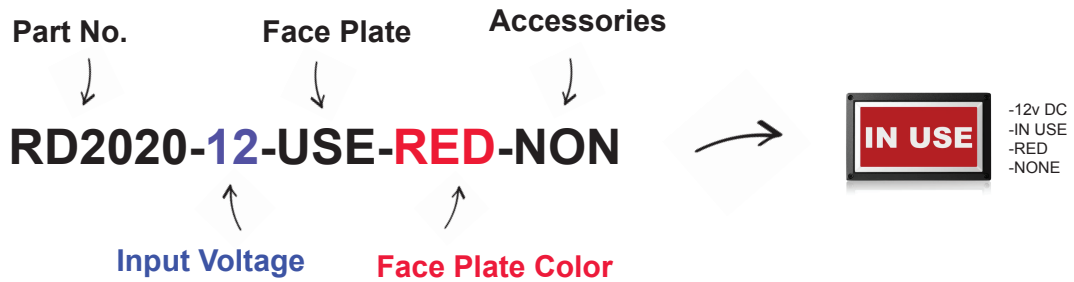
### Faceplate colors

- Red
- Grey
- Black
- Blue
- Yellow
- Orange
- Green
- Milspec
- White
- Custom

### Faceplate variants



2.3" (60mm)



**INPUT VOLTAGE**

CODE	DESCRIPTION
12	12v DC
24	24v DC
120	120v AC
240	240v AC
GO	Custom

**FACEPLATE COLOR**

CODE	DESCRIPTION
RED	RED
GRE	GREY
BLA	BLACK
BLU	BLUE
YEL	YELLOW
ORA	ORANGE
GRE	GREEN
MIL	MILSPEC
WHI	WHITE
UNI	CUSTOM

**ACCESSORIES**

CODE	DESCRIPTION
WIF	WIFI TRIGGER
BLU	BLUETOOTH
DMX	DMX TRIGGER
DAL	DALI TRIGGER
010	0-10V TRIGGER
PWM	PWM TRIGGER
DMX	DMX TRIGGER
12V	12V SUPPLY
24V	24V SUPPLY
WAL	WALL SWITCH
CEL	CEILING MOUNT
NON	NONE

NOT A SAFETY DEVICE. CHECK SUITABILITY.

**FACE PLATE**

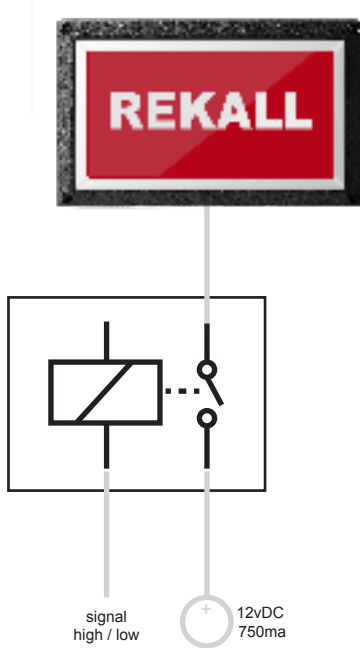
CODE	DESCRIPTION	CODE	DESCRIPTION
ADB	AD BREAK	MGO	MAGNET ON
APP	APPLAUSE	MAO	MAINS ON
ARM	ARMED	MAR	MASTERING ROOM
AUB	AUDIO BOOTH	MPC	MEETING IN PROGRESS CLASSIFIED
APO	AUTHORISED PERSONNEL ONLY	MIL	MIC LIVE
BOO	BEAN ON OFF	MIS	MIC SILENT
BRO	BROADCASTING	MXR	MIXING ROOM
CAU	CAUTION	MUS	MRI IN USE
CXI	CAUTION X-RAY IN USE	NCP	NO CELL PHONE
CLA	CLASSIFIED	NEN	NO ENTRY
CBI	CLASSIFIED BRIEFING IN PROGRESS	NOP	NO PHOTOGRAPHY
CDN	CLASSIFIED DO NOT ENTER	OCC	OCCUPIED
CIU	CLASSIFIED IN USE	AIR	ON AIR
CMP	CLASSIFIED MEETING IN PROGRESS	OPE	OPEN
CLO	CLOSED	PHC	PHONE CALL
CUE	CONFIDENTIAL IN USE	POP	POST PRODUCTION
COR	CONTROL ROOM	RAD	RADIATION
CTS	CT SCAN IN USE	RAA	RADIATION AREA
CUS	CUSTOM	RAS	RADIO SILENCE
DRI	DARK ROOM IN USE	RCD	RECORD
DNE	DO NOT ENTER	REC	RECORDING
DNO	DO NOT OPEN DOOR	RED	RED
DOO	DOOR	RES	RESTRICTED
EDR	EDIT ROOM	REA	RESTRICTED AREA
EDI	EDITING	RDN	RESTRICATED DO NOT ENTER
EIP	EMERGENCY IN PROGRESS	RIU	ROOM IN USE
EDN	EMERGENCY IN PROGRESS DO NOT ENTER	SBU	SBU IN USE
EAP	EXAM IN PROGRESS	SIU	SECRET IN USE
EXI	EXIT	SEC	SECURE
FIR	FIRE	SRT	SECURITY
FOR	FOLEY ROOM	SIL	SILENCE PLEASE
FIU	FOUO IN USE	SOU	SOUNDPROOF ROOM
GRM	GREEN ROOM	STN	STANDBY
HOS	HOT SET	STA	STUDIO A
USE	IN USE	STB	STUDIO B
ISC	INFO IS CLASSIFIED	TST	TEST IN PROGRESS
IIP	INTERVIEW IN PROGRESS	THE	THEATRE IN USE
LIU	LASER IN USE	TOP	TOP SECRET IN USE
LAO	LASER ON	UIU	UNCLAS IN USE
LIM	LIMDIS IN USE	UNC	UNCLASSIFIED
LIV	LIVE	UND	UNCLASSIFIED DISCUSSION
LDM	LIVE DJ MIXING	UNM	UNCLASSIFIED MEETING IN PROGRESS
LIS	LIVE STREAMING	UNS	UNSECURE
LIR	LIVEROOM	WXI	WARNING X-RAY IN USE
MIU	MACHINE IN USE	XIU	X-RAY IN USE
		XRO	X-RAY ON

# RD2020 ILLUMINATED WARNING SIGN

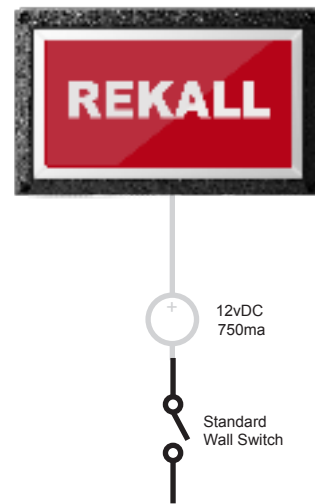


As an innovative and cutting-edge LED sign, the RD2020 is designed to offer outstanding performance and reliability. One of the key aspects of achieving this goal is ensuring the proper wiring and connection of the sign. To this end, we offer several different options for wiring your RD2020 LED sign, each tailored to your specific needs and requirements. Below shows three possible methods for connection of our low voltage units. You must check with your installer or electrician to make sure suitability and safety of any installation method.

Low Voltage Control via Relay



Direct Control via Low Voltage



Wireless or Protocol Control via Module

