

RD2020 MILSPEC

ILLUMINATED WARNING SIGN

RD2020:DC - LED FIXTURE



FEATURES

- Moulded aluminium housing with IP55 rated liquid and chemical resistant anodised coating.
- SMD ultra daylight active wafer matrix illumination.
- Impact & fade resistant, chemical safe exchangeable front poly carbonate graphic panel.
- 12v un-regulated Internal LED Modules, No Internal Circuitboard.
- Extruded illuminated front display panel allows viewing from side on.
- Stainless steel fitting and assembly hardware with option to be supplied with high security, tamper proof fittings.
- Internal single piece 5mm silicone dust, water and chemical seal.
- Included accessory kit with mounting hardware and access tool.

SPECIFICATIONS

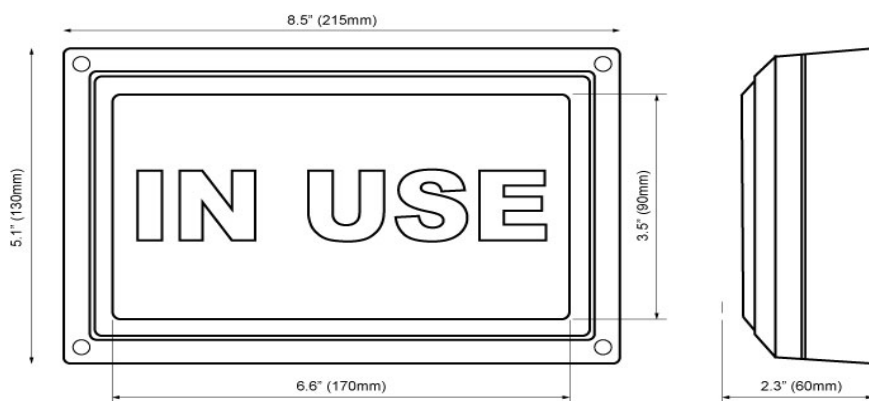
- DC Powered (12vDC 500ma)
- Internal Integrated Power Supply
- 18 x SMD5630 10w LED Illumination
- 5000-5500k Colour Temperature
- IP55 Dust & Liquid Protection Rating
- Complies AS/NZ560598.2.1
- Aluminium Front & Rear Housing
- Shatterproof Poly Carbonate Face Plate

The RD2020 Enclosure is the result of years of experience working with some of the worlds largest government, military and professional healthcare organisations supplying a range of top of the line warning lights for demanding environments.

All aspects of this modular warning solution can be supplied customised to the customers exact requirement from input voltages, colour and custom printed messages to a range of trigger and activation modules to suit any situation.

www.rekalldynamics.com

DIMENSIONS



BACKGROUND COLOR OPTIONS



ACCESSORY OPTIONS

- 24 Volt Power Supply
- DIN Rail Power Supply
- Hardwired Wall Switch
- Phone In Use Trigger
- Wireless Remote Control
- Battery Power Pack
- DMX Control Trigger
- Studio Console BUS Trigger