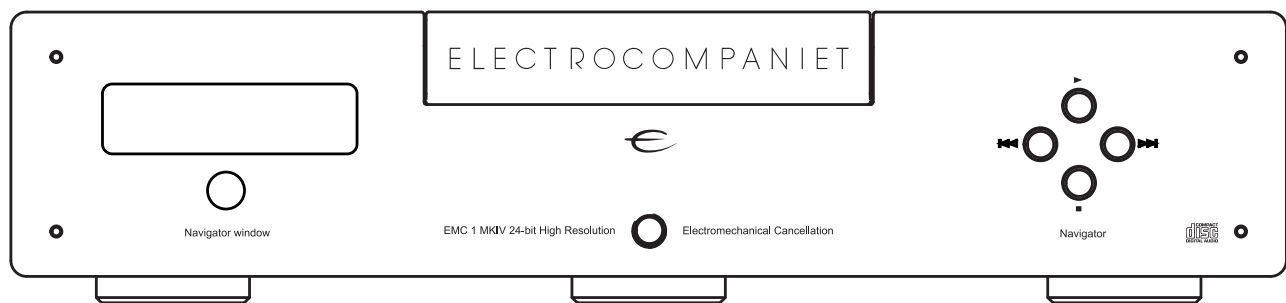




ELECTROCOMPANIET
If music really matters™



EMC 1 Mark IV

Reference CD player

Owner's Manual

Version 1.0

EN
ENGLISH

Welcome to the world of Electrocompaniet!

We thank you for choosing an Electrocompaniet high-end product.

At Electrocompaniet we are relentlessly focused on developing audio equipment that is capable of bringing the fabulous experience of the concert hall into the very heart of your home.

Our aim when developing and testing new products is to ensure that the wonderful richness of tone and every nuance of feeling and emotion of a piece of music is delivered to you just as the artist intended.

We continually strive to give you the very best musical listening experience available whatever your preferred musical genre.

Sincerely yours
Mikal Dreggevik
CEO



Precautions

- Before connecting the AC power cord to the appliance, make sure the voltage selector switch of the appliance corresponds to the local electrical supply. If you are unsure of your power supply, contact your local power company. The acceptable power input range is either AC~100V to 120V or AC~220V to 240V 50/60Hz.
- The player is still receiving power from the AC power source as long as it is connected to the wall outlet, even if the player itself has been turned in standby.
- Unplug the power cord if you are not going to use the product for an extended period of time. Hold the power connector when unplugging. Do not pull on the cord.
- The power switch is used as the mechanism for cutting off power, therefore make sure it is easy to operate.
- To ensure proper ventilation around this product, do not place this product on a sofa, bed or rug. When installing this product on a wall or bookshelf, you need to provide appropriate space: we recommend leaving 5 - 8 cm (2 - 3 inches) of free space at the top, the sides and the rear.
- High temperature will lead to abnormal operation of this unit. Do not expose this unit or batteries to direct sunlight or near other heating objects.
- Condensation may occur when moving the player from a cold location to a warm one, or vice versa. Should this occur, the EMC 1 MKIV may not operate properly. In such a case please turn the unit on for 1-2 hours to facilitate moisture evaporation.

Important Safety Instructions

- 1) Read these instructions.
- 2) Keep these instructions.
- 3) Heed all warnings.
- 4) Follow all instructions.
- 5) Do not use this device near water.
- 6) Clean only with dry cloth.
- 7) Do not block any ventilation openings. Install in accordance with the manufacturer's instructions. Do not install the unit in a small and closed rack or shelf.
- 8) Do not install near any heat sources such as radiators, heat registers, stoves, or other device (including amplifiers) that produce heat.
- 9) Do not defeat the safety purpose of the polarized or grounding-type plug. A polarized plug has two blades with one wider than the other. A grounding type plug has two blades and a third grounding prong. The wide blade or the third prong is provided for your safety. If the provided plug does not fit into your outlet, consult an electrician for replacement of the obsolete outlet.
- 10) Protect the power cord from being walked on or pinched, particularly at plug, receptacle, and the point where it exits from the device.
- 11) Only use attachments/accessories specified by the manufacturer.
- 12) Unplug this device during lightning storms or when unused for long periods of time.
- 13) Refer all servicing to qualified service personnel. Servicing is required when the device has been damaged in any way, such as power-supply cord or plug is damaged, liquid has been spilled or objects have fallen into the device, the device has been exposed to rain or moisture, does not operate normally, or has been dropped.
- 14) Batteries (battery pack or batteries installed) shall not be exposed to excessive heat such as sunshine, fire or the like.



Warning:

To avoid risk of fire or electric shock, do not expose this appliance to rain or moisture. Verify line voltage before use. Do not remove cover. No user serviceable parts inside. Refer servicing to qualified service personnel. The warranty is void if the product is tampered with by non-authorized personnel. Use only authorized Electrocompaniet service center.

The contents of the carton

- 1 pc. EMC 1 MKIV Reference CD player
- 1 pc. AC main cord
- 1 pc. IR Remote control
- 2 pcs. Batteries for remote control
- 1 pc. CD clamp
- 2 pcs. Allen keys for securing of the Mechanical Cancellation System.
- 1 pc. Owner's manual
- 1 pc. Inspection card

Unpacking the EMC 1 MKIV

Immediately upon receipt of the EMC 1 MKIV CD player, inspect the carton for possible damage during shipment. The carton and packaging have been designed to provide the safest possible protection for transport of your EMC 1 MKIV. Unpack the unit carefully. Save all packaging materials for future shipment.



Important Notice

The transport screws must be removed for proper operation. When moving the CD player. Always re-insert and tighten the transport screws to avoid severe damage to the unit!

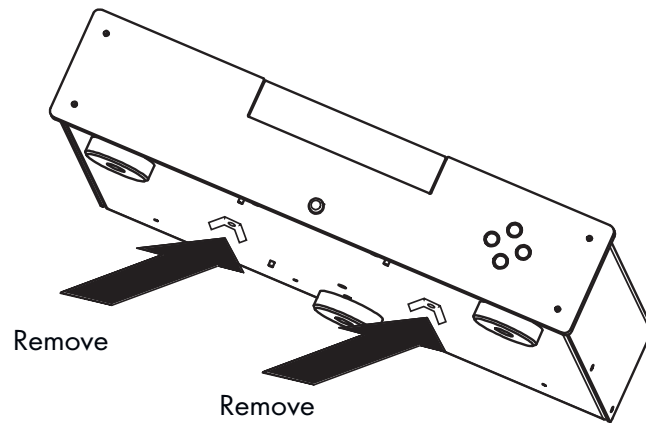
For optimal sonic performance, the EMC 1 MKIV should be burned in for a minimum time of 72 hours. The easiest way to burn in your EMC 1 MKIV is to put a disc in REPEAT mode with the rest of your system turned off. In daily operation, switch off the CD player by using the STANDBY button on the remote. Due to high class A operation it is normal for the CD player to feel warm. Proper ventilation is important. The CD player should by no means be completely covered. A good rule of thumb is to allow at least 5 - 8 cm (2 - 3 inches) of air sidewise and above the CD player. Please refer to Owner's Manual for removal of the CD transport screws.



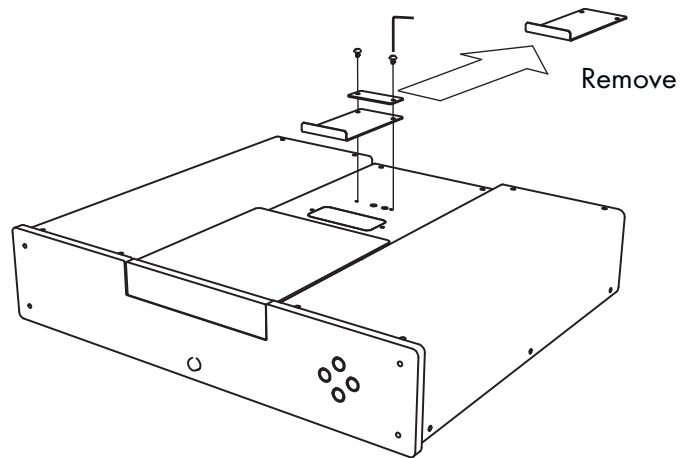
Setup procedure

How to remove a CD transport screws.

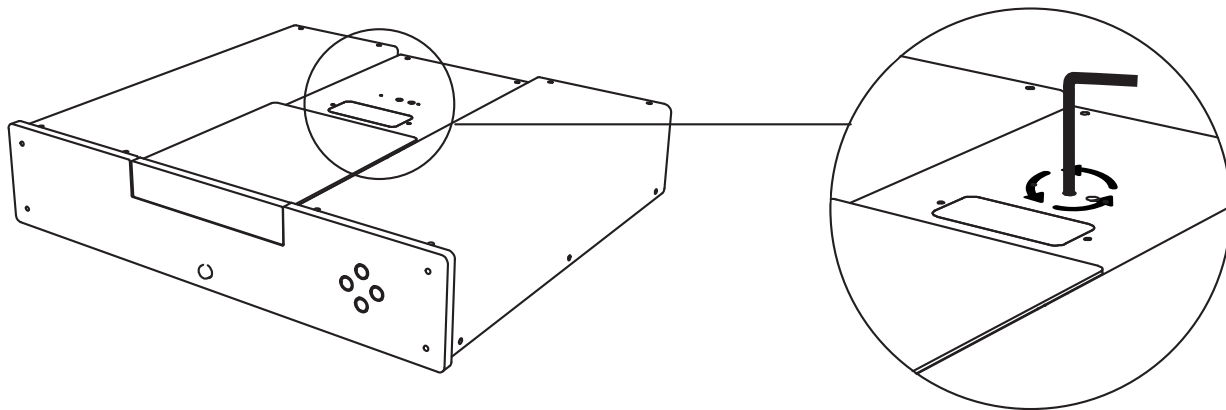
1. Remove the two wing bolts and the wing nut located underneath the unit.



2. Unscrew the Allen screws holding the gold sign marked «Reference CD player » with the smallest Allen key and remove the transport lock bracket.



3. To loosen the transport screw located underneath the golden sign, use the largest Allen key and unscrew counter clockwise for about 10 turns. Do not remove this Allen screw.



4. Put the golden sign back and fasten it with the Allen screws.

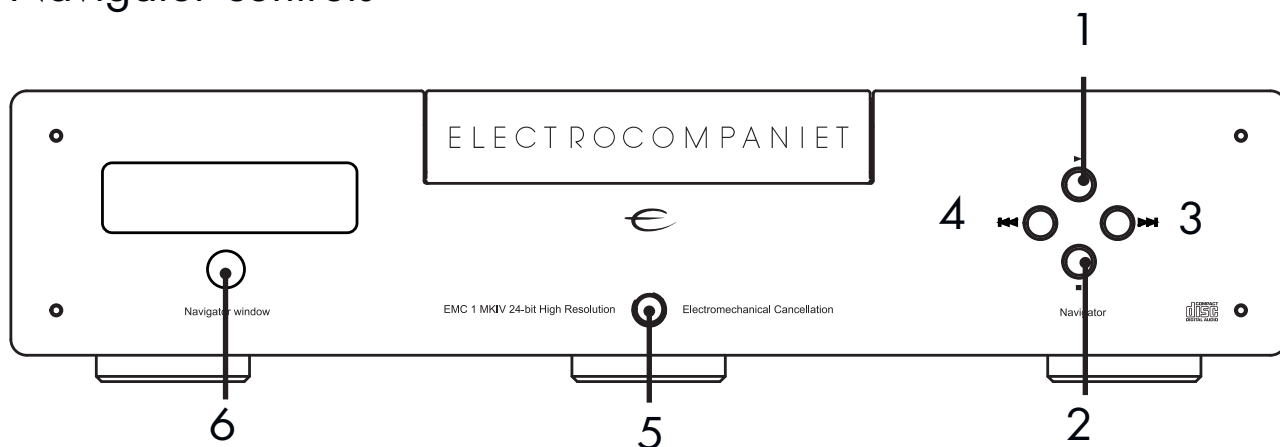
Important Notice

Keep Allen keys and all transport necessities in a safe place for future use. Always tighten the transport screw on top first, then the wing nut and wing bolts when moving the CD Player. The cancellation system weights close to six kilograms alone. If not securely fastened, the CD player will be severely damaged, resulting in void of warranty. Do not over-tighten the transport screw.





Navigator controls

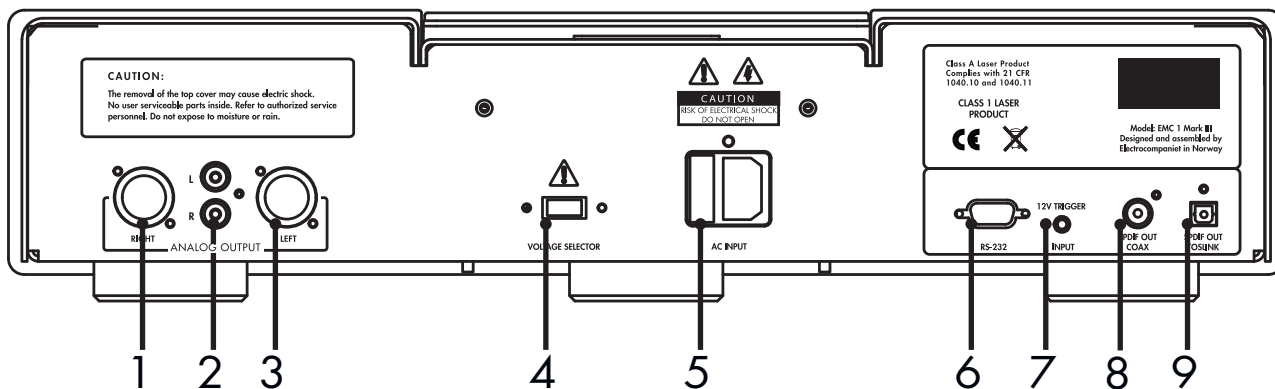


1. **PLAY button**
2. **STOP button**
3. **NEXT TRACK button**
4. **PREVIOUS TRACK buttons**
5. **ON/OFF** - The power button is used for turning ON and OFF the CD player.
6. **INFRARED SENSOR**

The infrared sensor will detect commands from the included infrared remote control. Please make sure that there is a direct line of sight between the infrared sensor and the infrared remote control.

(See page 7 for more information on using an infrared remote control with your EMC 1 MKIV)

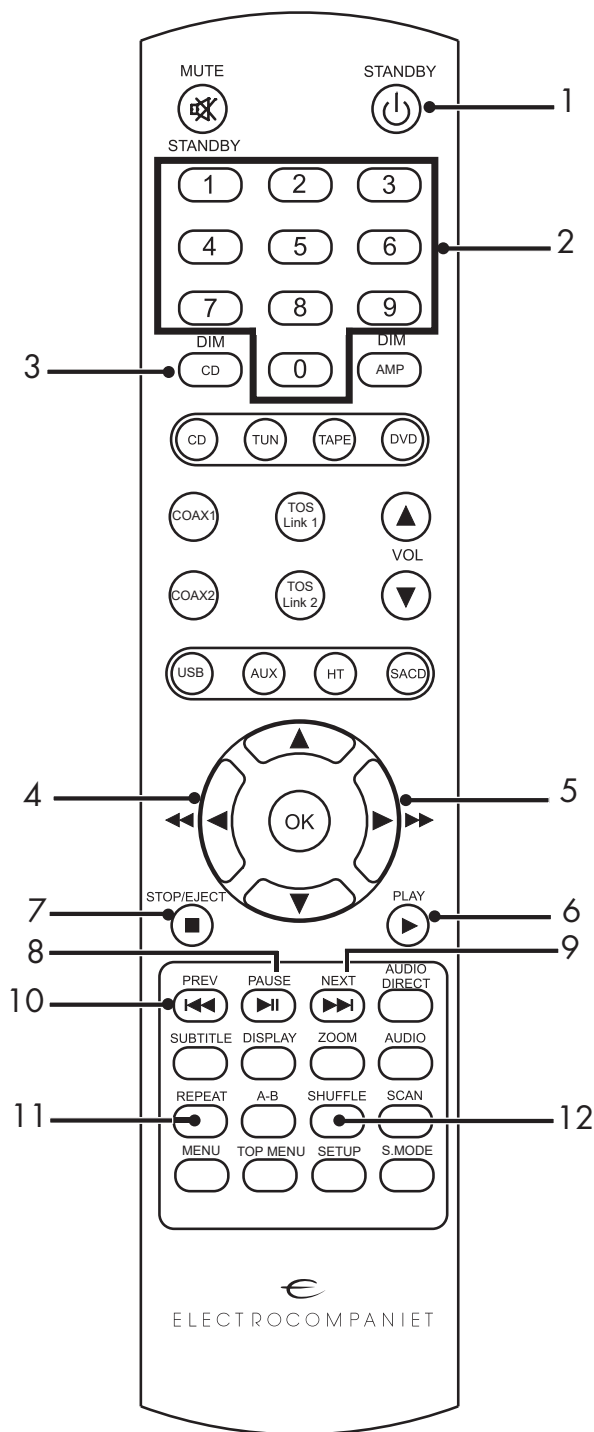
Rear panel connections



Connector	Name	Used for	Connection type/Cable
1	XLR output right	balanced audio connection	XLR / balanced audio cable
2	Coax output L/R	unbalanced audio connection	RCA / unbalanced audio cable
3	XLR output left	balanced audio connection	XLR / balanced audio cable
4	Voltage selector	12V trigger control input	3,5mm mono mini jack
5	Power / AC Input with Fuse	Input power	Supplied power cable
6	RS-232	home installation / service	
7	Trigger input	12V trigger control input	3,5mm mono mini jack
8	SPDIF	coaxial digital audio output (SPDIF)	RCA / 75-ohm coaxial cable
9	Toslink out	optical digital output	Toslink



Remote control



1. **Standby** – Standby mode is indicated by glowing e-logo on top of the player.
2. **Numeric controls** – Press these buttons to select a specific track on the disc.
For tracks 10 and above, the second digit of the number must be pressed within one second
3. **Dim** - dimming the display and E-logo.
4. Long press **Search backwards**
5. Long press **Search forward**
6. **Play**
7. **Stop**
8. **Pause**
9. **Next track**
10. **Previous track**
11. **Repeat** – Press this button once and all the tracks on the disc will be repeated.
Press the button again, and it will only repeat the current track. Press one more time to cancel repeat mode.
12. **Shuffle** - The tracks will be played in a random order.

Replacing batteries

Use 2pcs AAA or LR03 batteries.
Observe correct polarization when inserting batteries. Please remove batteries when the remote is not used for a prolonged period of time.

Using the remote

When using the remote control, the front end of the remote control should be pointed to the front panel of your EMC 1 MKIV. A free line of sight is required between the remote and the infrared sensor on the front panel.

How to power up your system

You should always power up your system the following way: Signal sources (CD player, tuner etc.) first. Allow a 30 seconds warm-up before you turn on the amplifier(s). When switching off your system: Start with the amplifier(s), then the signal sources.

Loading a Disc

1. Load the disc by gently pushing the drawer marked: ELECTROCOMPANIET towards the rear of the unit. «Open» is shown on the display.
2. Place the disc on the spindle. Then **place the CD-clamp on the spindle**. The clamp now securely fastens the disc.
3. Pull the cover all the way home. The CD player must first read and load vital information from the disc. This process, indicated by showing "LOADING" on a display, it takes approximately three seconds. Tracks and total time are displayed.
4. Press start/play and the first track starts to play.
5. When changing a disc, press the stop button on the front panel or on the remote control before opening the drawer.
6. If the drawer is opened during playback, it will take the disc a few seconds to spin down.
7. Do not touch the disc until it has come to a complete standstill.



NOTE:

Use analog audio output mode (preferably balanced XLR) for the best audio quality from your player.

Home installation

The RS-232 control port may be used in home installation setups or general usage for controlling basic functionality on the CD player.

Please refer to document "EMC1MK4 RS232 Command Reference V1.pdf" for further information. This document may be downloaded from www.electrocompaniet.no



Technical specifications

The following technical data were measured on randomized test objects and are typical data. All measurements are made at 120V / 240V // 50Hz / 60Hz. Mains fuse: 1 AT /250VAC

Output level:..... (unbalanced) 2.3Vrms/(balanced) 4.6Vrms
 Noise floor:..... < -130dB
 Frequency deviation:..... (20-20kHz) 0.05dB
 Channel separation:.....> 110 dB
 THD+N:..... <0.003%
 Digital/analog conversion:.....24 bit/192kHz
 Dynamic range:..... 120 dB

Compatible formats:.....CD, CD-R, D-RW
 Digital outputs:..... SPDIF COAX, SPDIF TOSLINK
 Control inputs:..... RS232, 12V Trigger

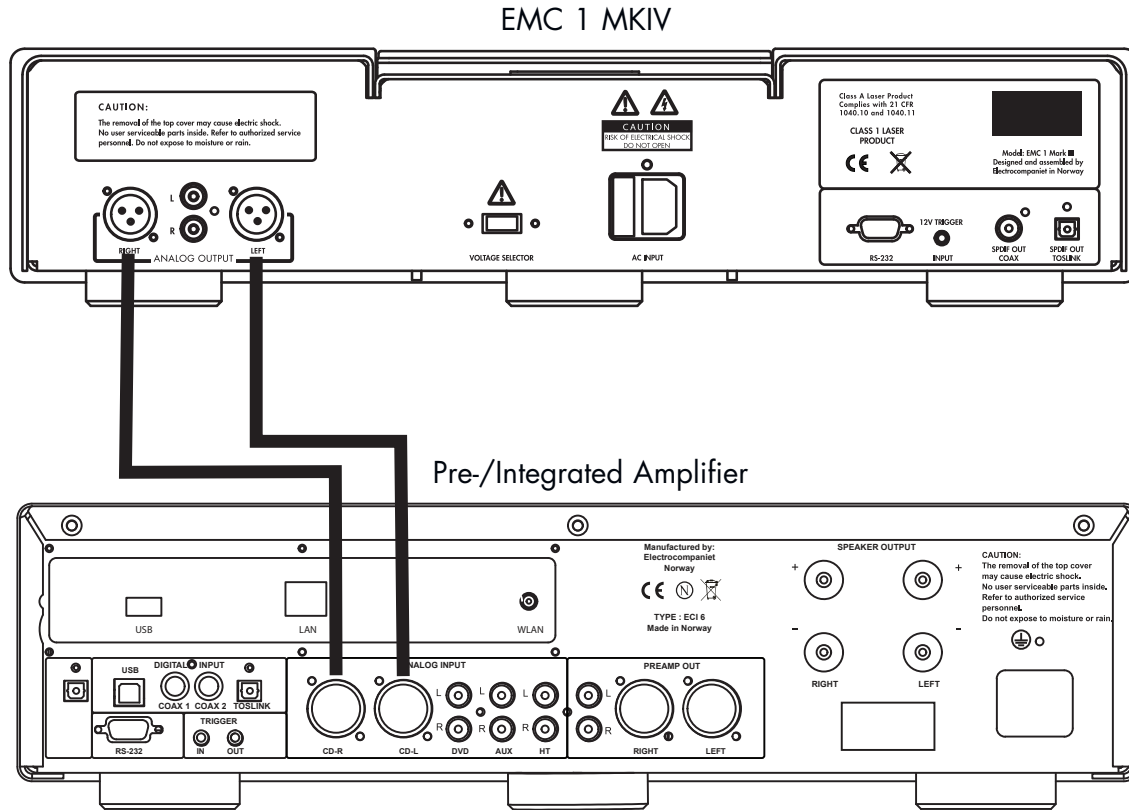
DIMENSIONS

Width482 mm / 18.9 inches
 Depth422 mm / 16.6 inches
 Height120 mm / 4.7 inches
 Weight.....18 kg. / 39.6 lbs

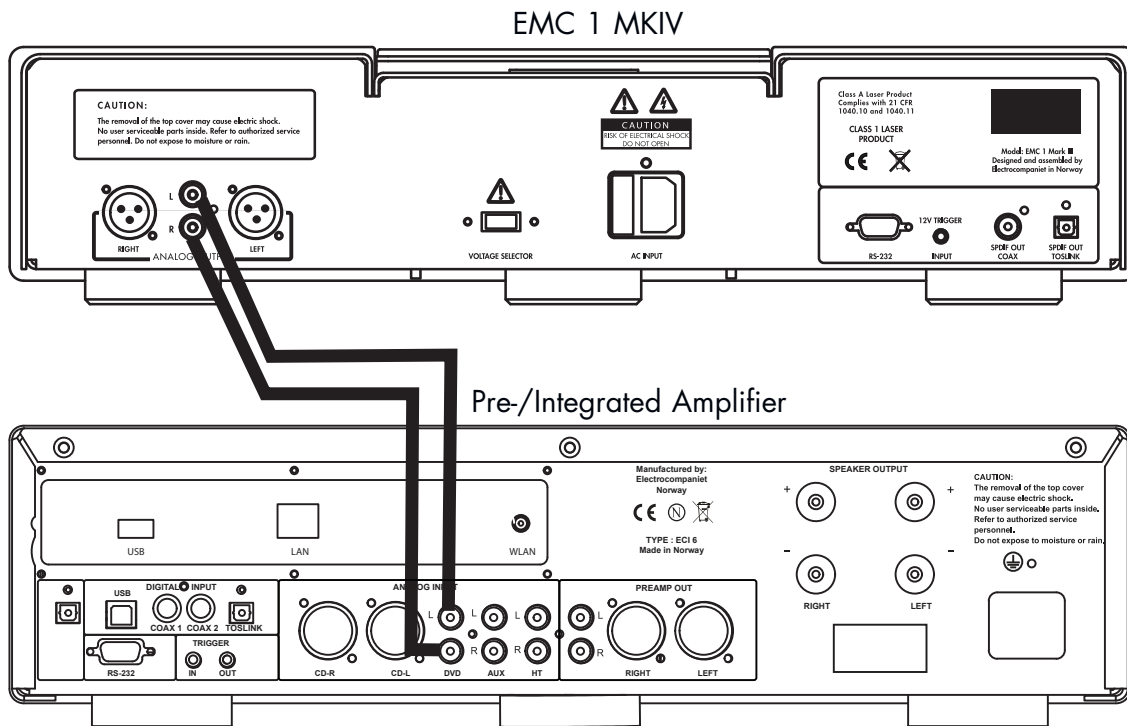
**The manufacturer reserves the right to alter these specifications without further notice.*



Balanced audio connection



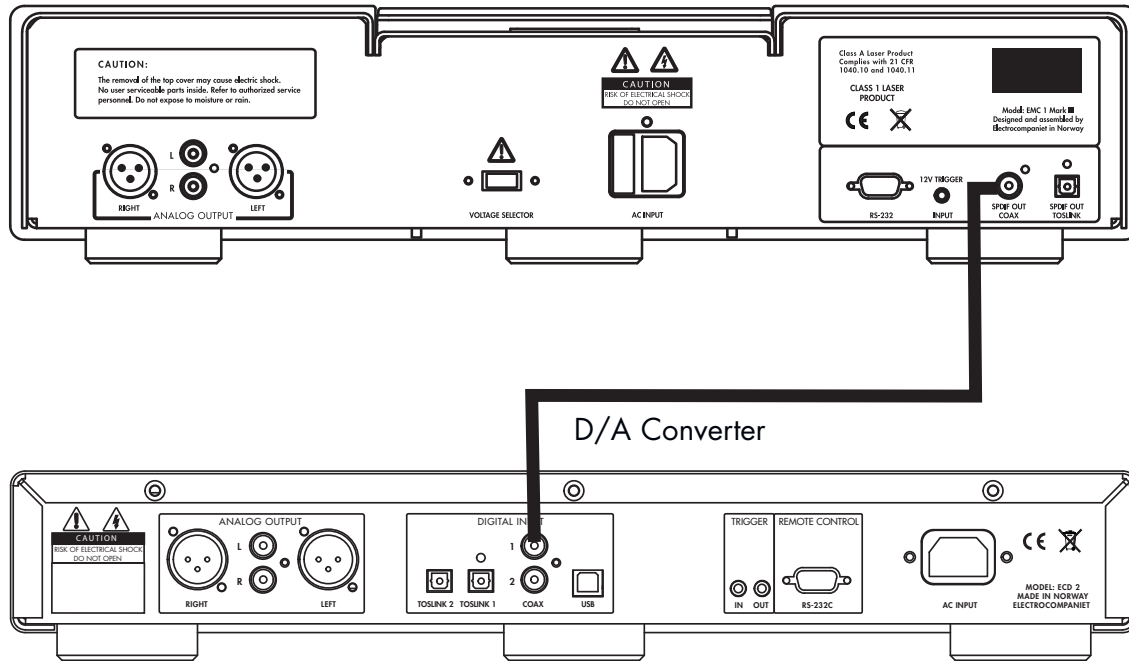
Single ended audio connection





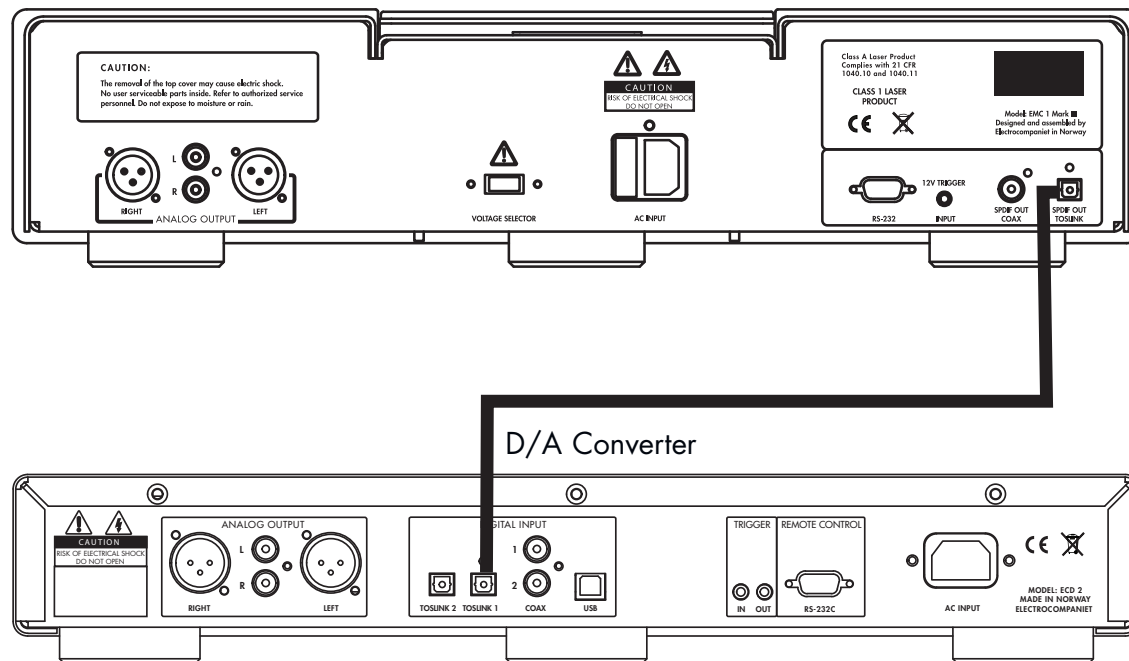
Single ended digital audio connection

EMC 1 MKIV



Optical digital audio connection

EMC 1 MKIV





If Service is needed

Your dealer will have all relevant information regarding the service centers in your area, and will ensure that your unit is serviced with minimum delay. It is our general policy to have your unit returned to you within five working days. This is an average time, and can vary locally, depending on the workload at that particular service station. If, for some reason, there are no service facilities available in your country, please ship the unit to the following address:

Electrocompaniet as,
Breivikveien 7,
N-4120 Tau,
Norway
Web: www.electrocompaniet.no
Service department: www.electrocompaniet.no/Support

The end user is responsible for all shipping charges, insurance, re-importation and duty charges. When shipping a product to the factory for service, always include the following:

1. A sales slip or other proof of purchase if repair is claimed under warranty.
2. A proforma invoice with value of goods, stating that the EMC 1 MKIV is returned to Norway for repair.
3. An accompanying letter describing faults, symptoms, or problems with the unit.
4. Always ship the unit in its original carton and packaging material to prevent damage in transit.

Electrocompaniet will not cover damages incurred in transit. If you require further information concerning the operation of the unit, or if you have any questions related to service, please do not hesitate to contact your dealer or your national distributor.

User Manual Updates Online

An updated version of the User Manual may be available online at the Electrocompaniet web site. Occasional updates are needed to reflect new features added to the player since the User Manual was printed. As future firmware updates bring in new features and functions, the online version of the User Manual will be updated accordingly.

IR Remote control codes

RC6 codes are denoted as xxx.yyy. xxx is 8 bit adress. yyy is 8 bit command code. All numbers in decimal. All RC6 codes are mode 0.

Key label	Code Type	Code Hex
STANDBY	RC6	04.0C
1	RC6	04.01
2	RC6	04.02
3	RC6	04.03
4	RC6	04.04
5	RC6	04.05
6	RC6	04.06
7	RC6	04.07
8	RC6	04.08
9	RC6	04.09
0	RC6	04.00
CD DIM	RC6	04.13
PREV	RC6	04.21
PLAY	RC6	04.2C
STOP	RC6	04.31
NEXT	RC6	04.20
REPEAT	RC6	04.1D
SHUFFLE	RC6	04.1C
PAUSE	RC6	04.30
FAST FORWARD	RC6	04.5B
FAST BACKWARD	RC6	04.5A





ELECTROCOMPANIET
If music *really* matters™

DEALER
STICKER
HERE

LOCAL DEALER

Warning!

To avoid risk of fire or electric shock, do not expose this appliance to rain or moisture.
Verify line voltage before use.
Do not remove cover. No user serviceable parts inside.
Refer servicing to qualified service personnel.
The warranty is void if the product is tampered with by non-authorized personnel.
Use only authorized Electrocompaniet service center.

Made in Norway
www.electrocompaniet.no