



UNI 45x65 - SPEC SHEET

UNI 45x65 - SPEC SHEET



DIMENSIONS AND WEIGHT	Parameters	USA	Metric
	Length	253.7 inch / 297.6 inch	645 cm / 756 cm
	Width	101 inch / 101.9 inch	256 cm / 259 cm
	Height	106.5 inch / 106.9 inch	271 cm / 272 cm
	Weight (w/o drill pipes)	19200 lbs / 22400 lbs	8700 kg / 10160 kg

ENGINE	Parameters	USA	Metric
	Make and Model	Turbo Diesel	
	Fuel Type	Diesel	
	Gross Horsepower	173 hp	129 kw
	Rated RPM	2400 rpm	
	EPA Certification	Final Tier IV	

OPERATIONAL	Parameters	USA	Metric
	Thrust / Pullback (max)	45000 lbs	200 kN
	Spindle Torque (max)	6500 ft-lb	8813 Nm
	Spindle Rotation Speed (max)	200 rpm	
	Carriage Speed (max)	220 fpm	
	Operating Angle	18°	

DRILLING FLUIDS	Parameters	USA	Metric
	Make and Model	Kerr	
	Flow (max)	107 gpm	405 lpm
	Pressure (max)	1000 psi	68.9 bar
	Fuel Tank	40 gal	151 lit
	Hydraulic Tank	55 gal	208 lit

- Specifications are subject to change without prior notice.

UNI 45x65 - SPEC SHEET

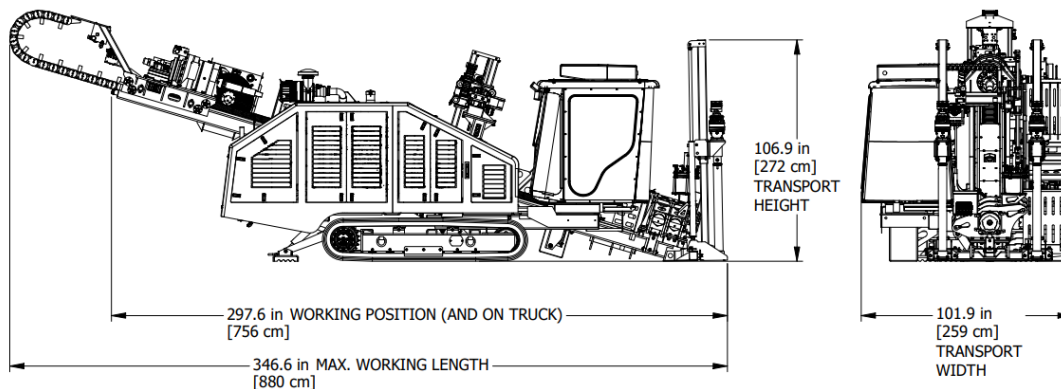
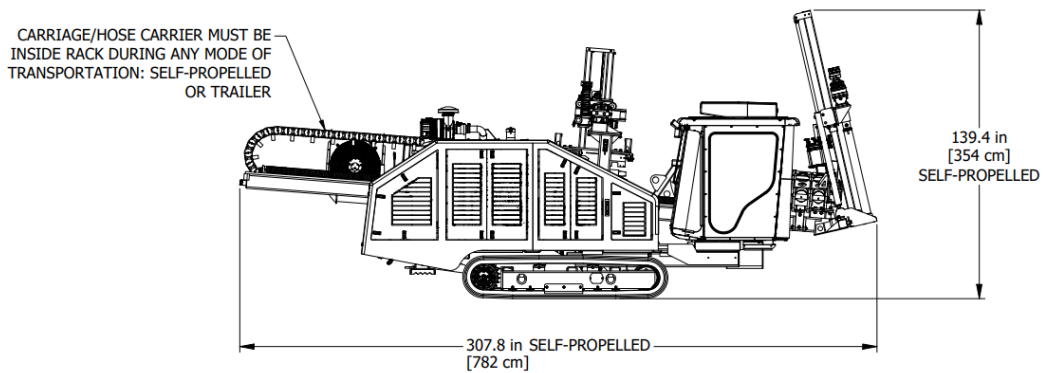
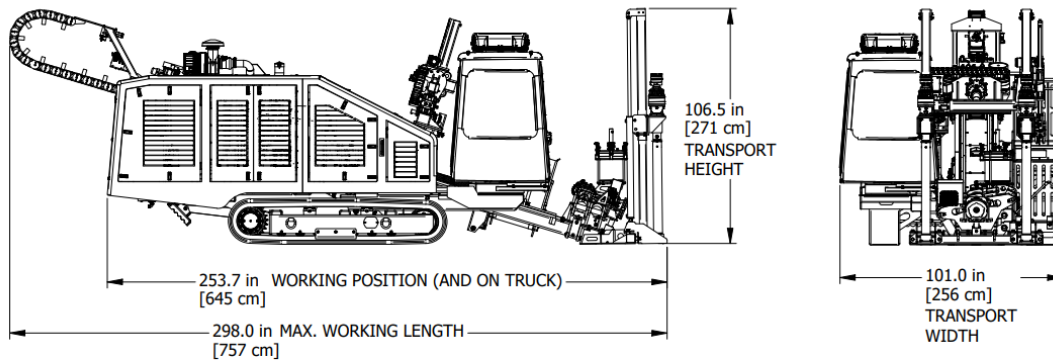
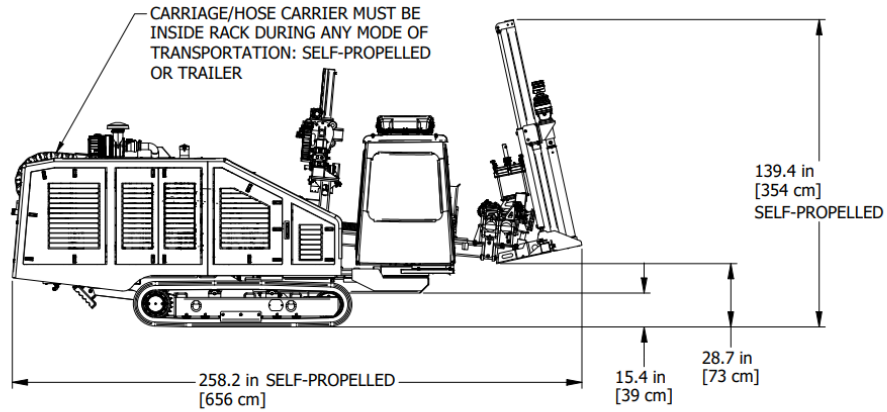


DRILL ROD	Type	USA	Metric
	2.375" FS1 (Vermeer® compatible)	10 ft / 15 ft	3.05 m / 4.57 m
	Rod Basket Capacity	54 rods / 40 rods	

FEATURES AND OPTIONS	Type	Description	Option
	Automatic Rod Loader	Row selection function. Rod shift function.	Standard
	Steakdown System	Two points auger steakdown system	Standard
	Breakout System	Active breakout automatic mud pump shut-off valve	Standard
	Strike Alert		Standard
	Mud Flow Indicator		Standard
	Support Lights		Standard
	Automatic Rod Greaser		Standard
	Mud Pressure Relief System		Standard
	Wired Remote	Maneuver, load, unload, and set up your rig	Standard
	UNI Curve System	Roll-Range Preset	Standard
	Locating Remote Display	Integrated or freestanding	Standard
	Cruise Control System	Thrust/Torque Preset	Standard
	Wireless Remote	Control essential functions from a safe distance	Optional
	Panoramic Cab	Climate control system	Optional
	Operator's Station Canopy		Optional
	Air Hammer Ready		Optional
Hot Weather Package	Additional cooling systems. Sun reflective paint.	Optional	
Cold Weather Package	Heated rack. Engine pre-heater. Hydraulic oil pre-heater.	Optional	

- Specifications are subject to change without prior notice.

UNI 45x65 - SPEC SHEET



- Specifications are subject to change without prior notice.