



UNI 40x55 - SPEC SHEET

UNI 40x55 - SPEC SHEET



DIMENSIONS AND WEIGHT	Parameters	USA	Metric
	Length	251.7 inch / 297.6 inch	639 cm / 756 cm
	Width	100.4 inch / 96.2 inch	255 cm / 244 cm
	Height	106.9 inch / 106.9 inch	272 cm / 272 cm
	Weight (w/o drill pipes)	17900 lbs / 19500 lbs	8120 kg / 8845 kg

ENGINE	Parameters	USA	Metric
	Make and Model	Turbo Diesel	
	Fuel Type	Diesel	
	Gross Horsepower	140 hp	105 kw
	Rated RPM	2400 rpm	
	EPA Certification	Final Tier IV	

OPERATIONAL	Parameters	USA	Metric
	Thrust / Pullback (max)	40000 lbs	178 kN
	Spindle Torque (max)	5500 ft-lb	7457 Nm
	Spindle Rotation Speed (max)	200 rpm	
	Carriage Speed (max)	220 fpm	
	Operating Angle	18°	

DRILLING FLUIDS	Parameters	USA	Metric
	Make and Model	Kerr	
	Flow (max)	107 gpm	486 lpm
	Pressure (max)	1000 psi	68.9 bar
	Fuel Tank	40 gal	182 lit
	Hydraulic Tank	55 gal	250 lit

- Specifications are subject to change without prior notice.

UNI 40x55 - SPEC SHEET

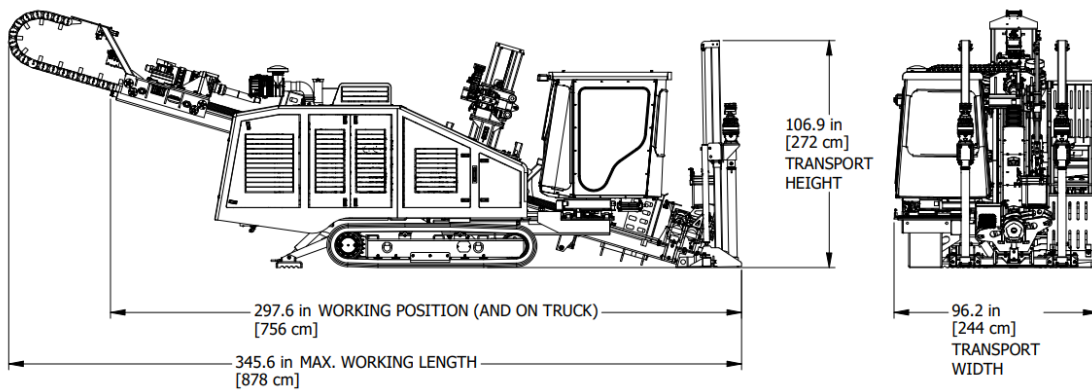
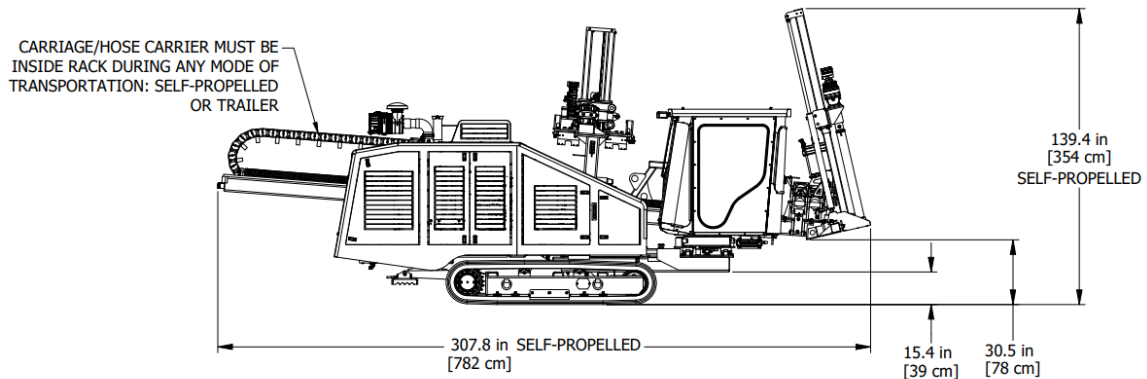
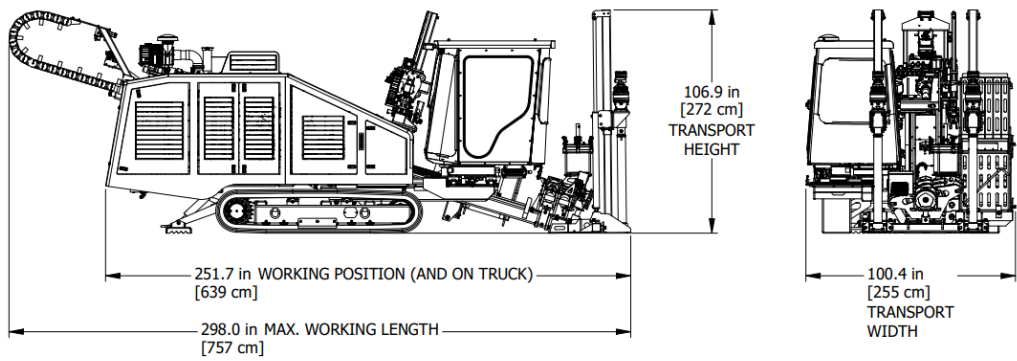
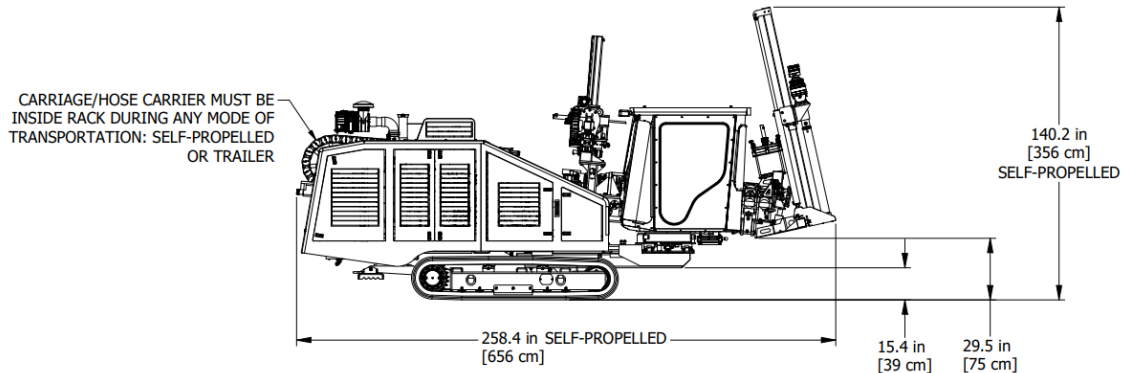


DRILL ROD	Type	USA	Metric
	2.375" FS1 (Vermeer® compatible)	10 ft / 15 ft	3.05 m / 4.57 m
	Rod Basket Capacity	54 rods / 40 rods	

FEATURES AND OPTIONS	Type	Description	Option
	Automatic Rod Loader	Row selection function. Rod shift function.	Standard
	Steakdown System	Two points auger steakdown system	Standard
	Breakout System	Active breakout automatic mud pump shut-off valve	Standard
	Strike Alert		Standard
	Mud Flow Indicator		Standard
	Support Lights		Standard
	Automatic Rod Greaser		Standard
	Mud Pressure Relief System		Standard
	Wired Remote	Maneuver, load, unload, and set up your rig	Standard
	UNI Curve System	Roll-Range Preset	Standard
	Locating Remote Display	Integrated or freestanding	Standard
	Cruise Control System	Thrust/Torque Preset	Standard
	Wireless Remote	Control essential functions from a safe distance	Optional
	Panoramic Cab	Climate control system	Optional
	Operator's Station Canopy		Optional
	Air Hammer Ready		Optional
Hot Weather Package	Additional cooling systems. Sun reflective paint.	Optional	
Cold Weather Package	Heated rack. Engine pre-heater. Hydraulic oil pre-heater.	Optional	

- Specifications are subject to change without prior notice.

UNI 40x55 - SPEC SHEET



- Specifications are subject to change without prior notice.