



UNI 250x400 - SPEC SHEET

UNI 250x400 - SPEC SHEET



DIMENSIONS AND WEIGHT	Parameters	USA	Metric
	Length	467 inch	1,186 cm
	Width	102 inch	259 cm
	Height	138 inch	351 cm
	Weight (w/o drill pipes)	64,500 lbs	29,500 kg

ENGINE	Parameters	USA	Metric
	Make and Model	Turbo Diesel	
	Fuel Type	Diesel	
	Gross Horsepower	400 hp	298 kw
	Rated RPM	2100 rpm	
	EPA Certification	Final Tier IV	

OPERATIONAL	Parameters	USA	Metric
	Thrust / Pullback (max)	250,000 lbs	1,112 kN
	Spindle Torque (max)	40,000 ft-lb	54,500 Nm
	Spindle Rotation Speed (max)	140 rpm	
	Carriage Speed (max)	160 fpm	
	Operating Angle	18°	

DRILLING FLUIDS	Parameters	USA	Metric
	Make and Model	Kerr / Aplex	
	Flow (max)	315 gpm	1,200 lpm
	Pressure (max)	1,130 psi	78 bar
	Fuel Tank	142 gal	537 lit
	Hydraulic Tank	154 gal	583 lit

- Specifications are subject to change without prior notice.

UNI 250x400 - SPEC SHEET



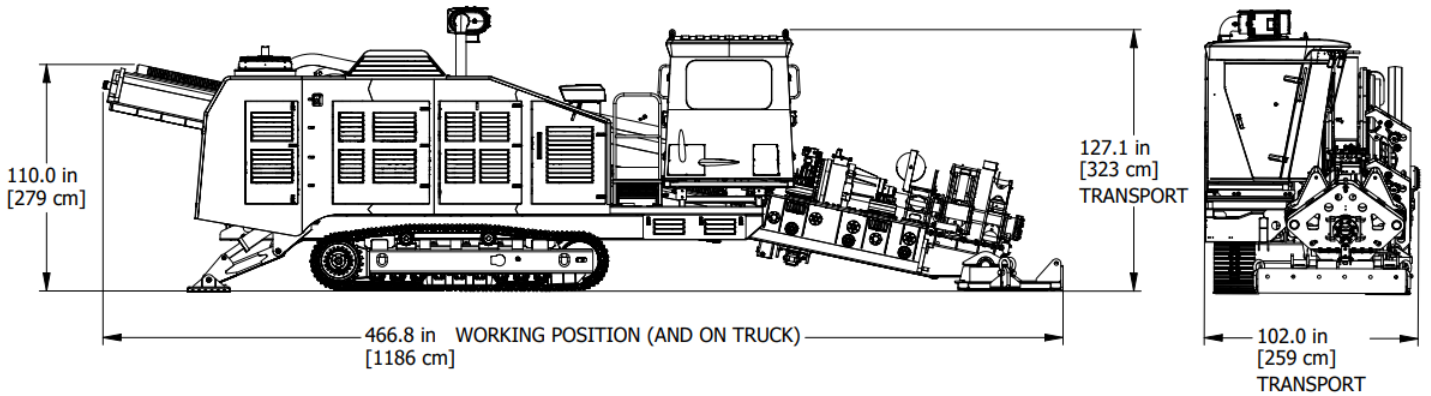
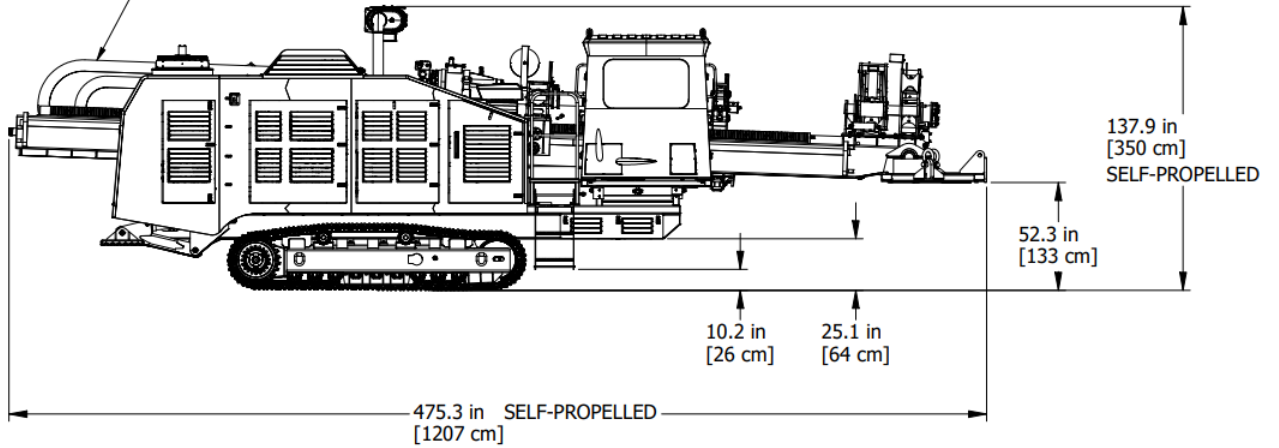
DRILL ROD	Type	USA	Metric
	2.375" FS1 (Vermeer® compatible)	20 ft	6.1 m
	Rod Basket Capacity	N/A	

FEATURES AND OPTIONS	Type	Description	Option
	Rod Loader	Row selection function. Rod shift function.	Standard
	Steakdown System	Two points auger steakdown system	Standard
	Breakout System	Active breakout automatic mud pump shut-off valve	Standard
	Strike Alert		Standard
	Mud Flow Indicator		Standard
	Support Lights		Standard
	Automatic Rod Greaser		Standard
	Mud Pressure Relief System		Standard
	UNI Curve System	Roll-Range Preset	Standard
	Locating Remote Display	Integrated or freestanding	Standard
	Cruise Control System	Thrust/Torque Preset	Standard
	Immobilization Safety System	Exit site wireless safety control system	Optional
	Wireless Remote	Control essential functions from a safe distance	Optional
	Panoramic Cab	Two-persons XL cab, Climate control system	Optional
	Air Hammer Ready		Optional
	Hot Weather Package	Additional cooling systems. Sun reflective paint.	Optional
Cold Weather Package	Heated rack. Engine pre-heater. Hydraulic oil pre-heater.	Optional	

- Specifications are subject to change without prior notice.

UNI 250x400 - SPEC SHEET

CARRIAGE/HOSE CARRIER MUST BE INSIDE RACK DURING ANY MODE OF TRANSPORTATION: SELF-PROPELLED OR TRAILER



- Specifications are subject to change without prior notice.