



UNI 25 - SPEC SHEET

UNI 25 - SPEC SHEET



DIMENSIONS AND WEIGHT	Parameters	USA	Metric
	Length	221.7 inch	563 cm
	Width	73.3 inch	186 cm
	Height	97.7 inch	248 cm
	Weight (w/o drill pipes)	12000 lbs	5443 kg

ENGINE	Parameters	USA	Metric
	Make and Model	Turbo Diesel	
	Fuel Type	Diesel	
	Gross Horsepower	132 hp	98.4 kw
	Rated RPM	2500 rpm	
	EPA Certification	Tier IV	

OPERATIONAL	Parameters	USA	Metric
	Thrust / Pullback (max)	25000 lbs	111.2 kN
	Spindle Torque (max)	3600 ft-lb / 4000 ft-lb	4881 Nm / 5423 Nm
	Spindle Rotation Speed (max)	185 rpm	
	Carriage Speed (max)	330 fpm	
	Operating Angle	18°	

DRILLING FLUIDS	Parameters	USA	Metric
	Make and Model	Kerr KM-3300PT	
	Flow (max)	72.9 gpm	276.3 lpm
	Pressure (max)	1000 psi	68.9 bar
	Fuel Type	30 gal	113.6 lit
	Hydraulic Tank	35 gal	132.5 lit

- Specifications are subject to change without prior notice.

UNI 25 - SPEC SHEET

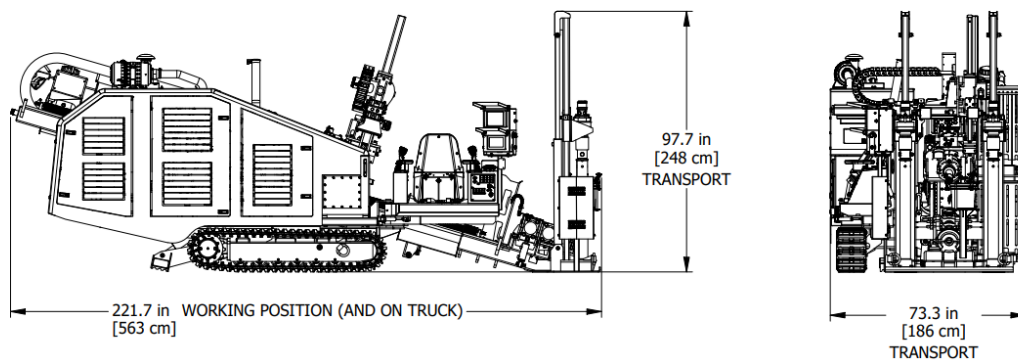
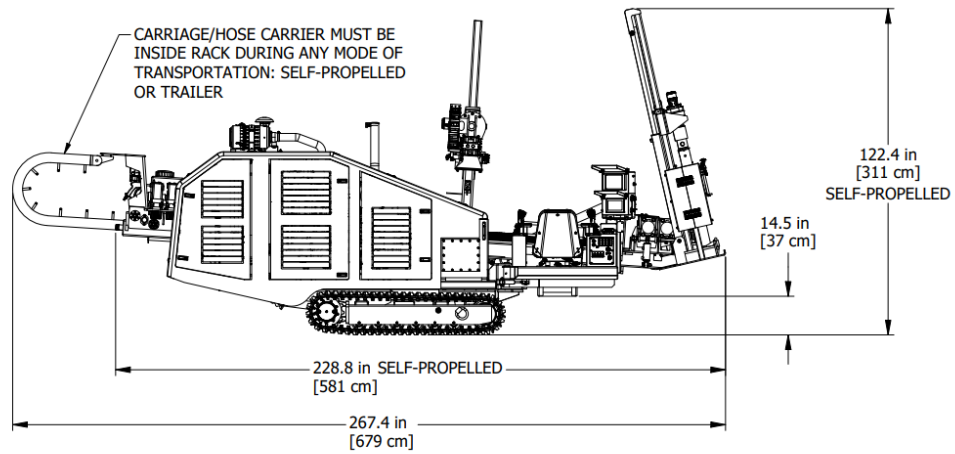
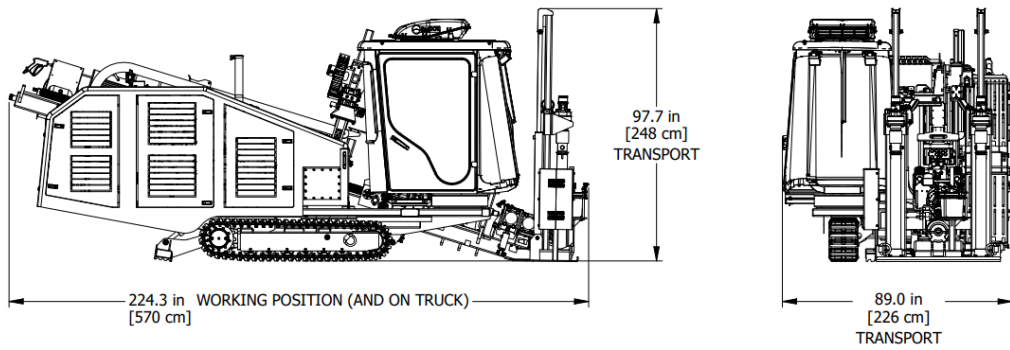
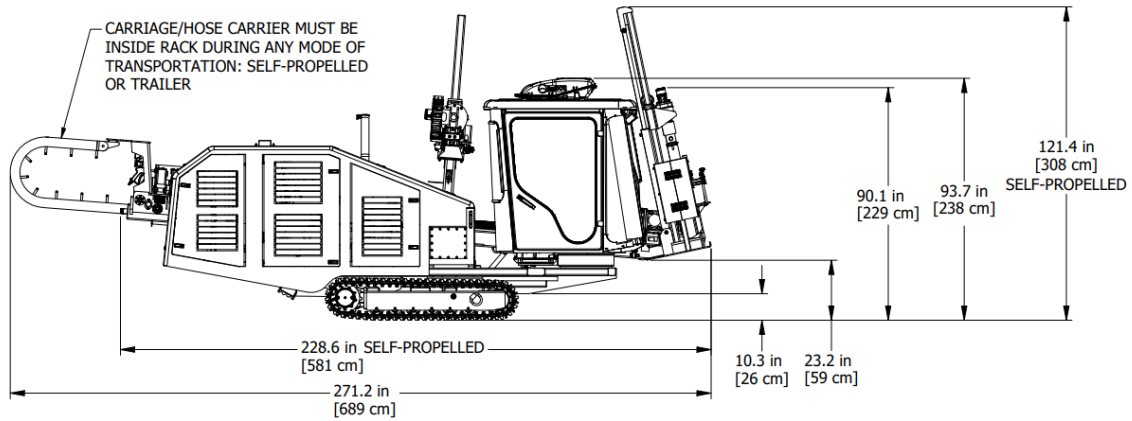


DRILL ROD	Type	USA	Metric
	2.375" FS1 (Vermeer® compatible)	10 ft	3.0 m
	Rod Basket Capacity	50 rods	

FEATURES AND OPTIONS	Type	Description	Option
	Automatic Rod Loader	Row selection function. Rod shift function.	Standard
	Steakdown System	Two points auger steakdown system	Standard
	Breakout System	Active breakout automatic mud pump shut-off valve	Standard
	Strike Alert		Standard
	Mud Flow Indicator		Standard
	Support Lights		Standard
	Automatic Rod Greaser		Standard
	Mud Pressure Relief System		Standard
	Wired Remote	Maneuver, load, unload, and set up your rig	Standard
	UNI Curve System	Roll-Range Preset	Standard
	Locating Remote Display	Integrated or freestanding	Standard
	Cruise Control System	Thrust/Torque Preset	Standard
	Wireless Remote	Control essential functions from a safe distance	Optional
	Panoramic Cab	Climate control system	Optional
	Operator's Station Canopy		Optional
	Air Hammer Ready		Optional
	Hot Weather Package	Additional cooling systems. Sun reflective paint.	Optional
	Cold Weather Package	Heated rack. Engine pre-heater. Hydraulic oil pre-heater.	Optional

- Specifications are subject to change without prior notice.

UNI 25 - SPEC SHEET



- Specifications are subject to change without prior notice.