

**Item type**

Chandelier

Item name

Vincente

Attention!

Turn off the electricity supply at the main circuit panel before installing.
Do not connect the electricity supply until your luminaire is fully assembled and installed.

Care instructions:

Wipe with a soft cloth, do not use chemicals or abrasive cleaning materials.

Eichholtz B.V.

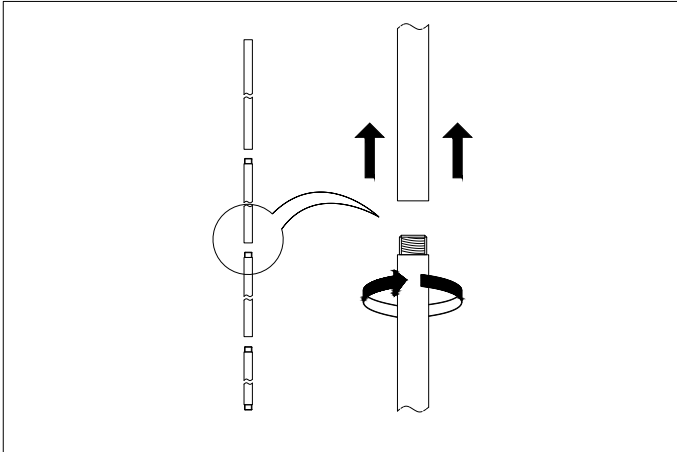
Delfweg 52

2211 VN Noordwijkerhout

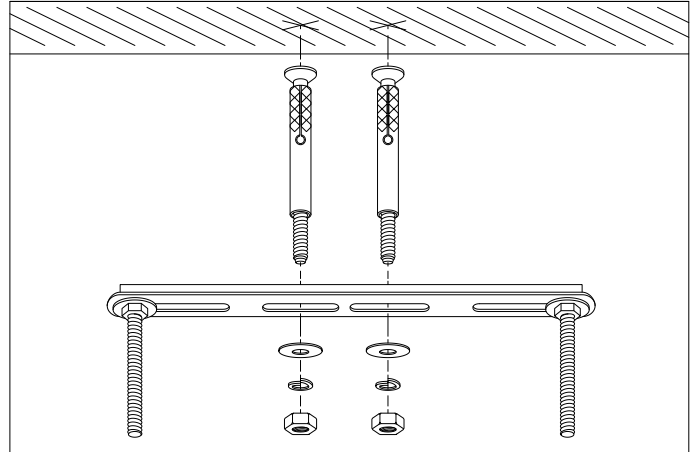
The Netherlands

www.eichholtz.com
service@eichholtz.com

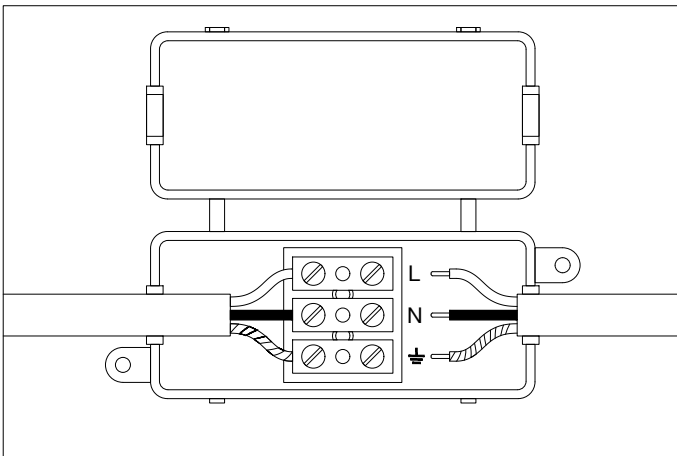
+31 (0)252 515 850



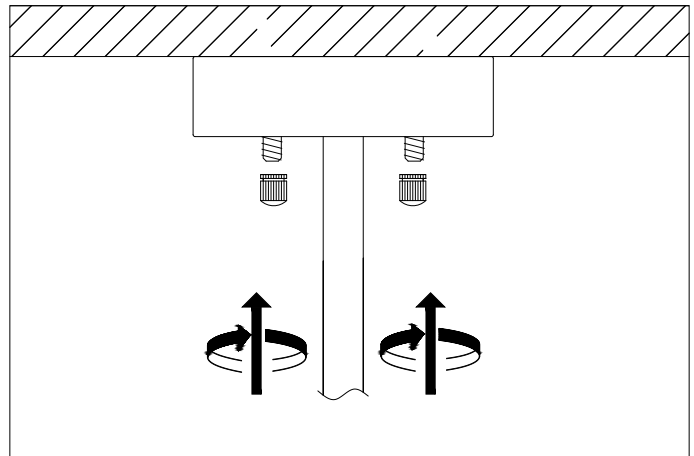
1. Determine the desired height of the lamp and use either one, two or three of the pipes supplied. Thread the wires through the pipe.



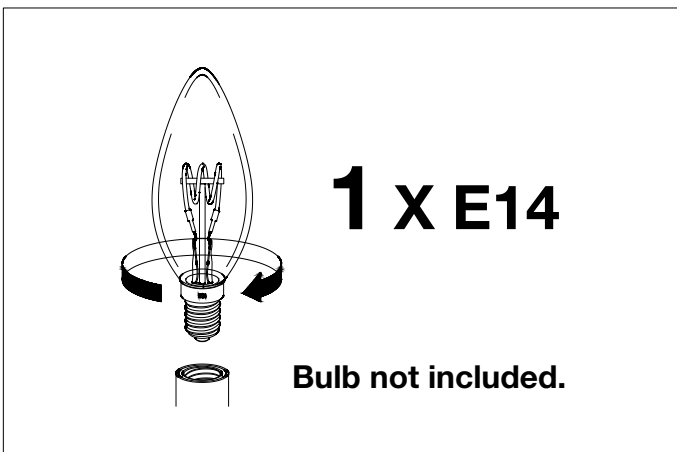
2. Lead the wires from your ceiling through the hole of the ceiling plate. Fix the ceiling plate to the ceiling by using mounting plugs and screws suitable to your ceiling type.



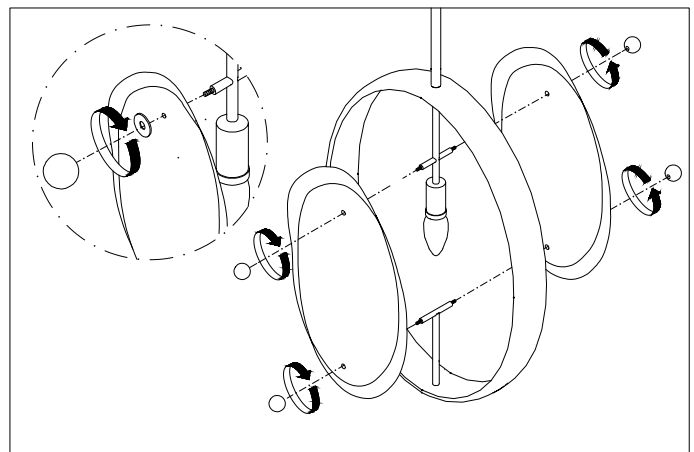
3. Connect the 3 wires according to their colours. Brown is the live wire, blue is the neutral wire, green/yellow is the earth wire.



4. Place the ceiling canopy over the ceiling plate and fix it securely with the three nuts.



5. Place the bulb.



6. Attach the glass to the lamp with the screws supplied.