



**Item type**

Desk

**Item name**

Choo

**Attention!**

Place the item on a padded area to prevent damage to the item.

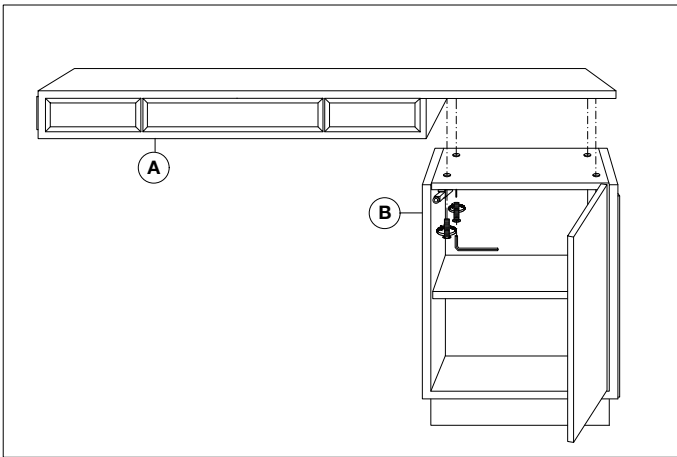
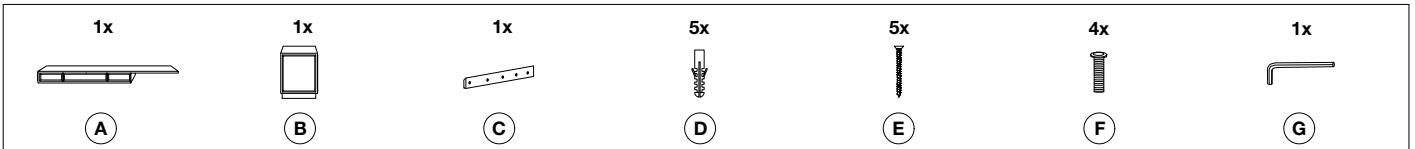
**Care instructions:**

Dust regularly and clean with a soft dry cloth. Remove spills immediately as moisture can cause the veneer to peel off the surface.

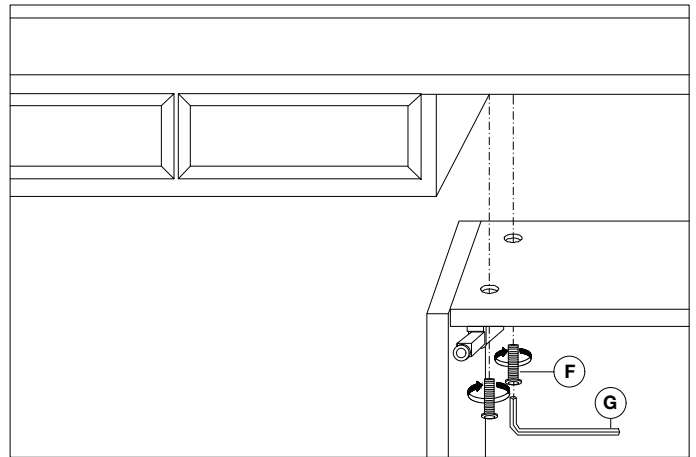
**Eichholtz B.V.**

Delfweg 52  
2211 VN Noordwijkerhout  
The Netherlands

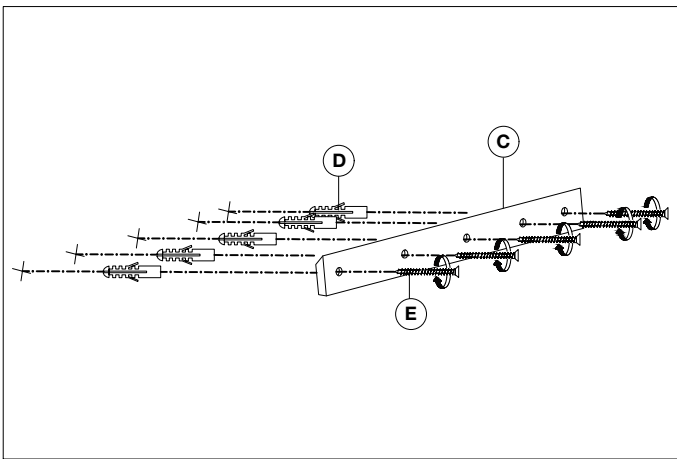
🏠 [www.eichholtz.com](http://www.eichholtz.com)  
✉ [service@eichholtz.com](mailto:service@eichholtz.com)  
☎ +31 (0)252 515 850



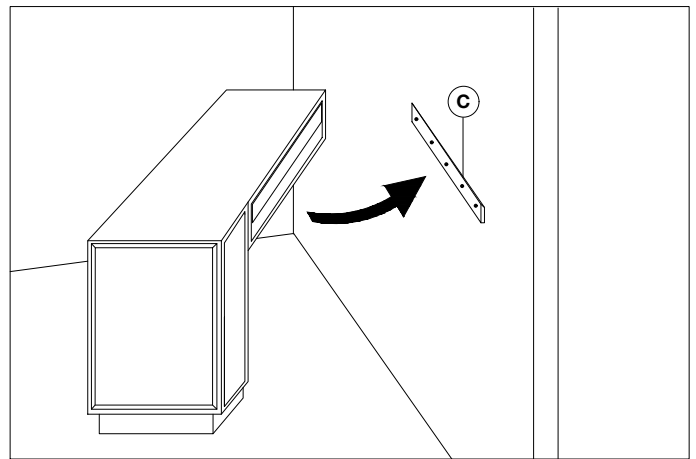
1. Assemble the top (A) to the cabinet (B) using bolts (F) and the allen key (G).



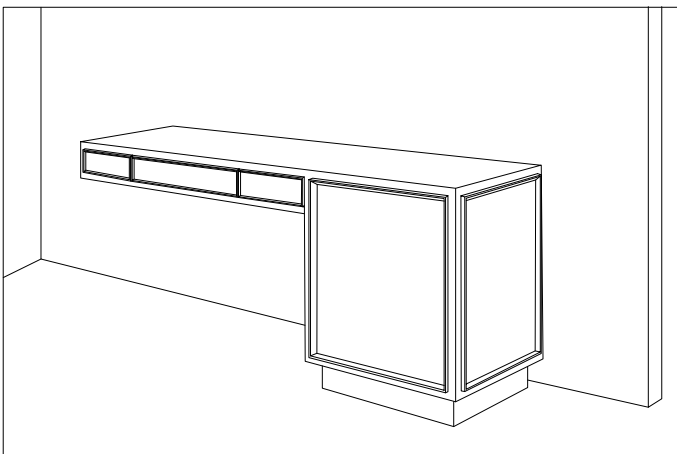
2. Detail.



3. Take the measurements and assemble the wooden cleat (C) to your wall using wall mounting plugs and screws suitable for your wall type.



4. Hang the desk on the cleat.



5. Make sure the cabinet is resting firmly on the floor.