

**Item type**

Wall Lamp

Item name

Artos

Item number(s)

115831

Attention!

Turn off the electricity supply at the main circuit panel before installing. Do not connect the electricity supply until your luminaire is fully assembled and installed.

Care instructions:

Wipe with a soft dry cloth, do not use chemicals or abrasive cleaning materials.

Eichholtz B.V.

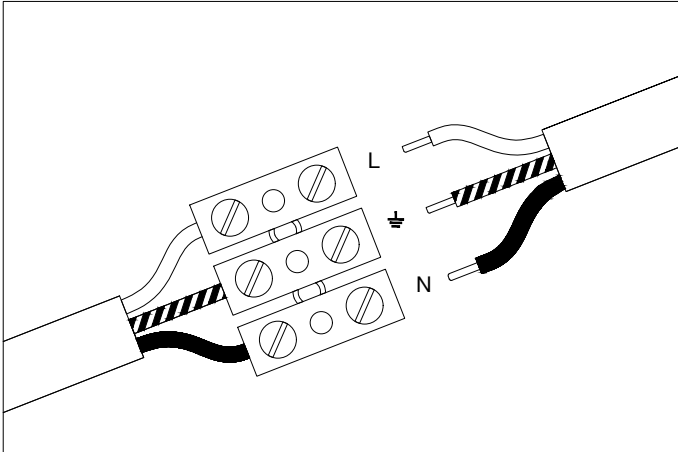
Delfweg 52

2211 VN Noordwijkerhout

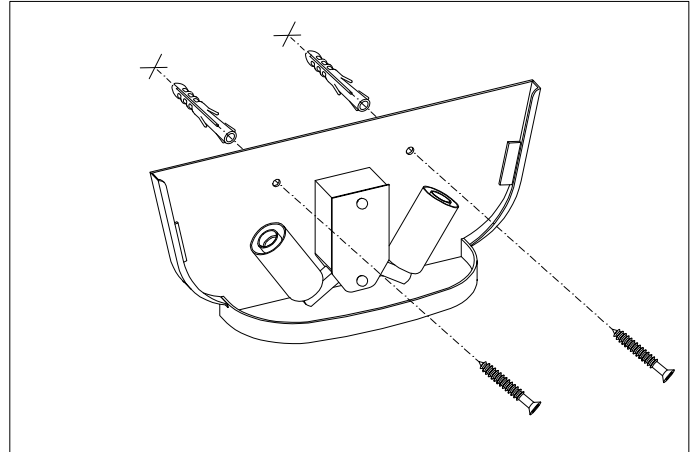
The Netherlands

🏠 www.eichholtz.com✉ service@eichholtz.com

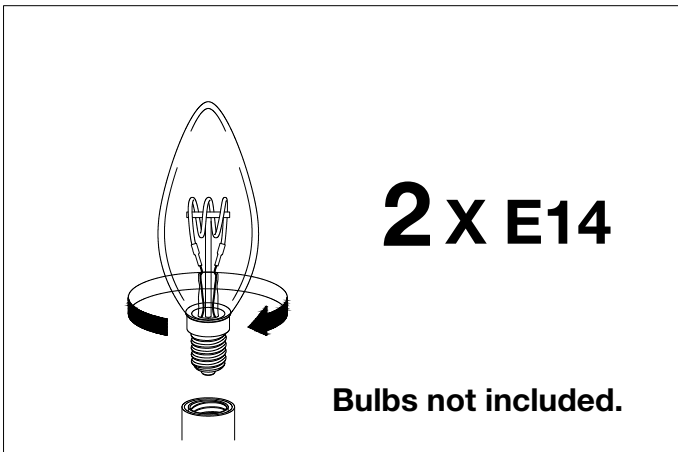
☎ +31 (0)252 515 850



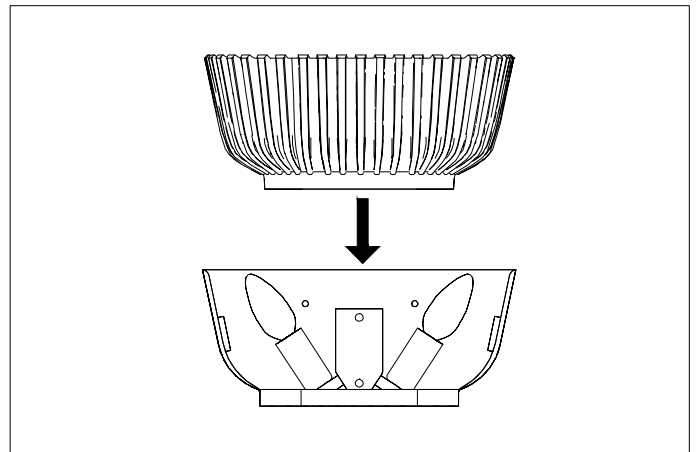
1. Connect the 3 wires according to their colours. Brown is the live wire (L), blue is the neutral wire (N), green/yellow is the earth wire (⏚).



2. Fix the lamp to the wall by using wall mounting plugs suitable to your wall type.



3. Place the bulbs.



4. Place the glass.