

**Item type**

Ceiling lamp

**Item name**

Ruby

**Attention!**

Turn off the electricity supply at the main circuit panel before installing. Do not connect the electricity supply until your luminaire is fully assembled and installed.

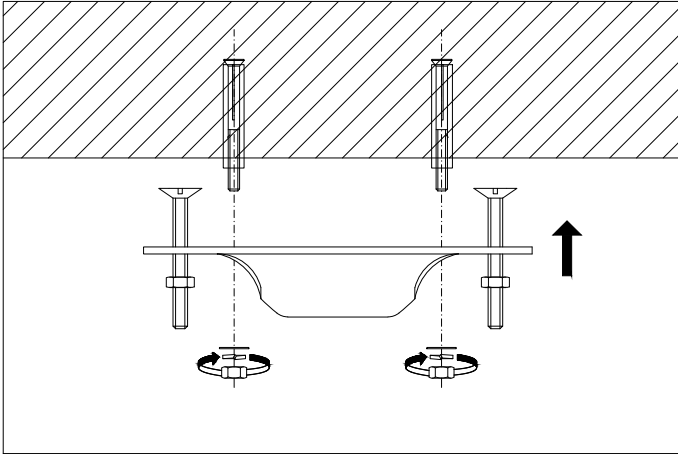
**Care instructions:**

Wipe with a soft cloth, do not use chemicals or abrasive cleaning materials.

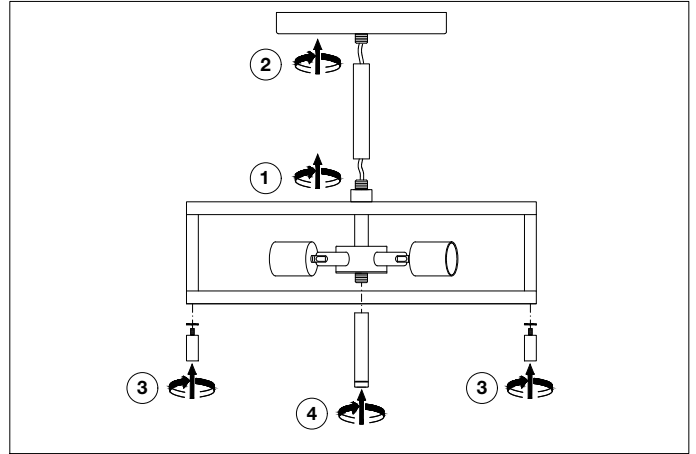
**Eichholtz B.V.**

Delfweg 52  
2211 VN Noordwijkerhout  
The Netherlands

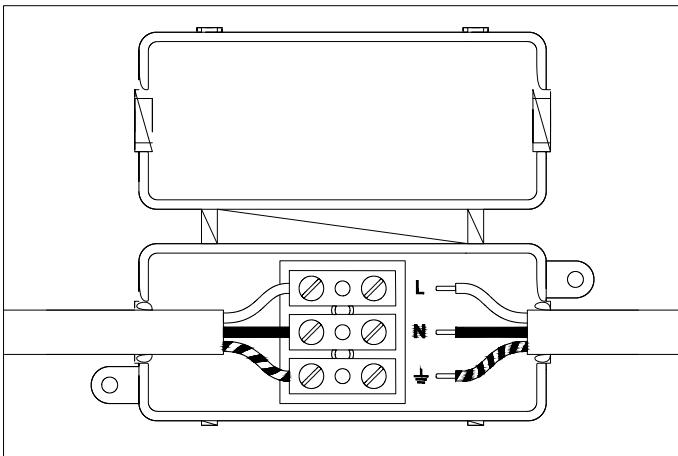
🏠 [www.eichholtz.com](http://www.eichholtz.com)  
✉ [service@eichholtz.com](mailto:service@eichholtz.com)  
☎ +31 (0)252 515 850



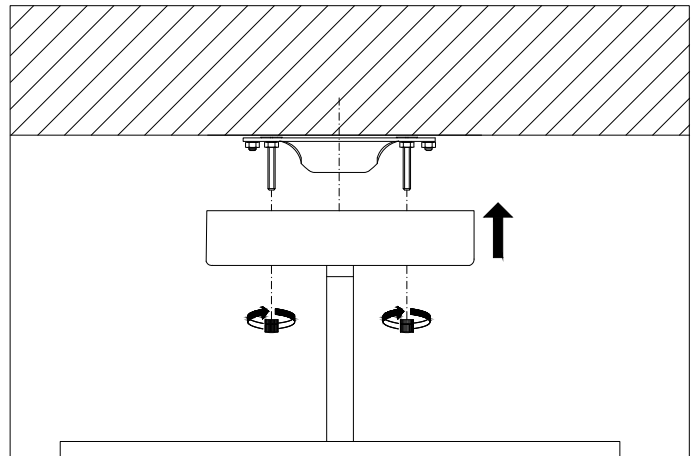
1. Fix the ceiling plate to the ceiling by using mounting plugs and screws suitable to your ceiling type.



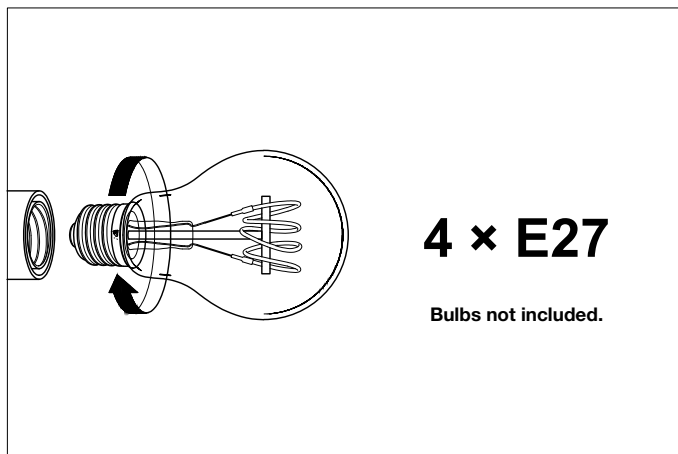
2. Thread the wires through the pipe. Screw the pipe to the lamp and ceiling plate. (1 & 2) Place the rubber ring on the acrylic fitting and screw them to the bottom of the lamp (3), then fix the tube to the lamp. (4)



3. Connect the 3 power wires according to their colours. Brown is the live wire, blue is the neutral wire, green/yellow is the earth wire.



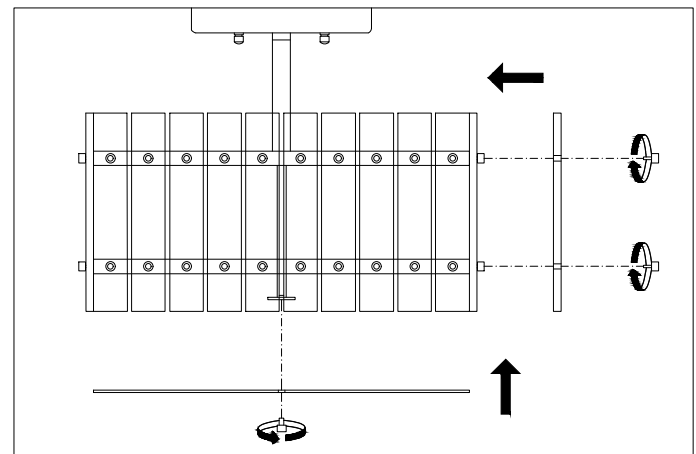
4. Place the ceiling canopy over the ceiling plate and fix it securely with the nuts.



**4 × E27**

**Bulbs not included.**

5. Place the bulbs.



6. Place the glass. Secure the frame and the glass with the bottom cover finial.