

Item type

Chandelier

Item name

Hector

Attention!

Turn off the electricity supply at the main circuit panel before installing.
Do not connect the electricity supply until your luminaire is fully assembled and installed.

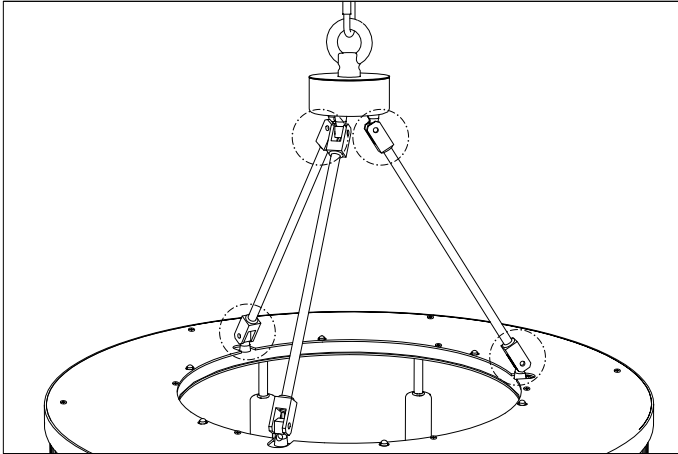
Care instructions:

Wipe with a soft cloth, do not use chemicals or abrasive cleaning materials.

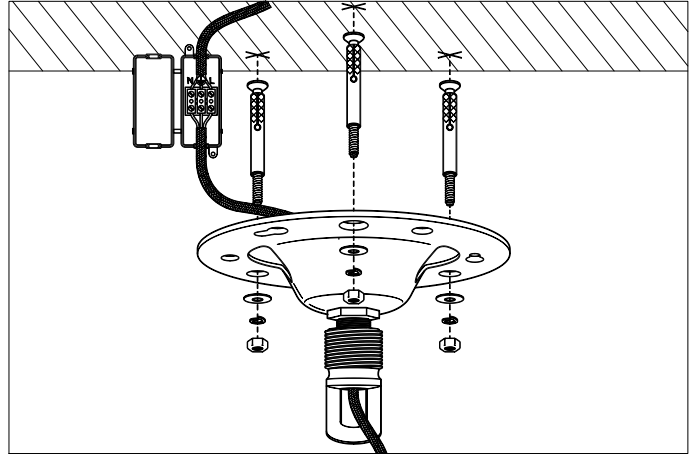
Eichholtz B.V.

Delfweg 52
2211 VN Noordwijkerhout
The Netherlands

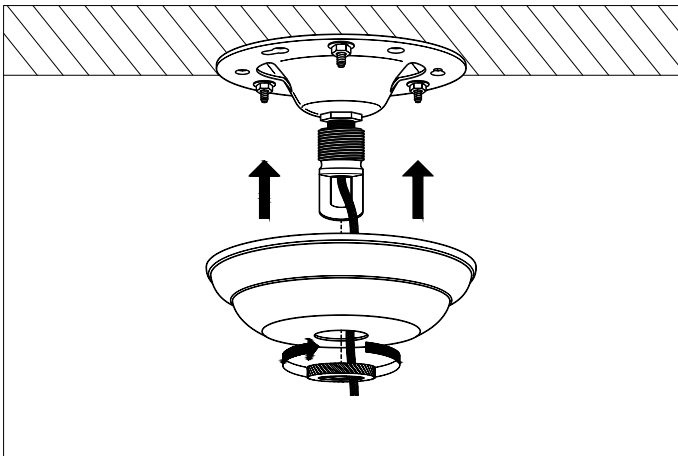
🏠 www.eichholtz.com
✉ service@eichholtz.com
☎ +31 (0)252 515 850



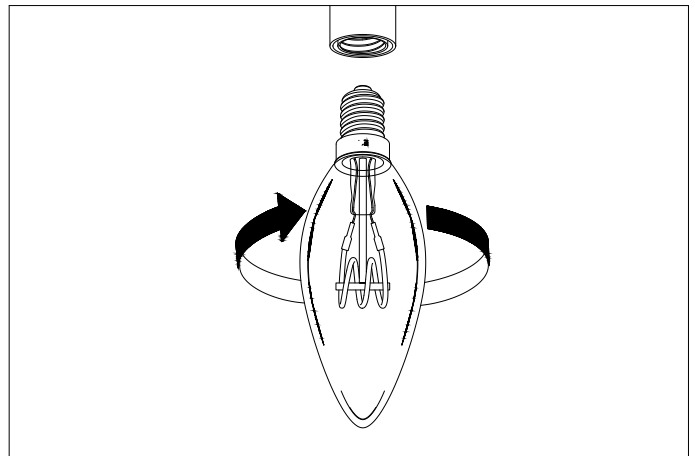
1. Connect the two pipes to the lamp and to the ceiling canopy as shown.



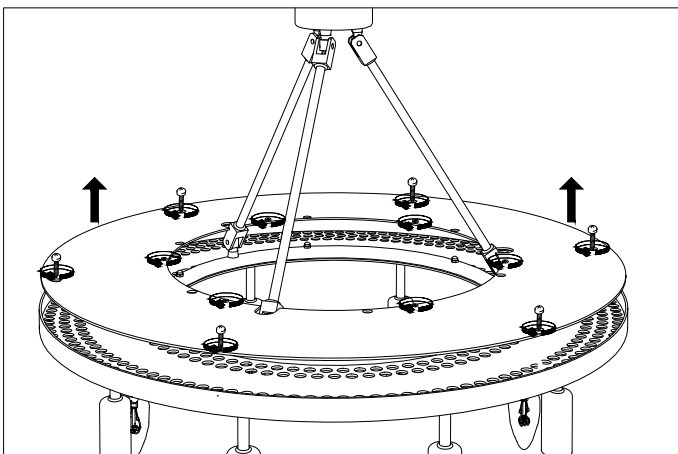
2. Fix the ceiling bracket to the ceiling by using mounting plugs and screws suitable for your ceiling type. Connect the 3 power wires. Brown is the live wire, blue is the neutral wire, green/yellow is the earth wire.



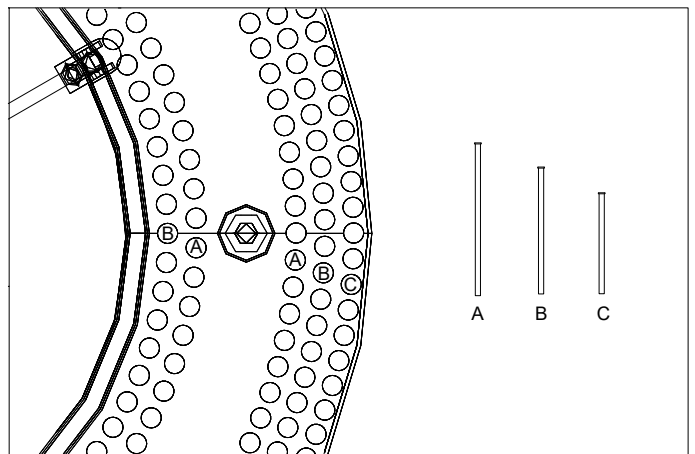
3. Slide the canopy over the ceiling bracket and fix it with the retaining nut.



4. Place the bulbs.



5. Remove the screws at the top of plate, hold the plate up.



6. Place the glass according to the schedule, from inside out: B, A, A, B, C. After placing the glass, place the plate back.