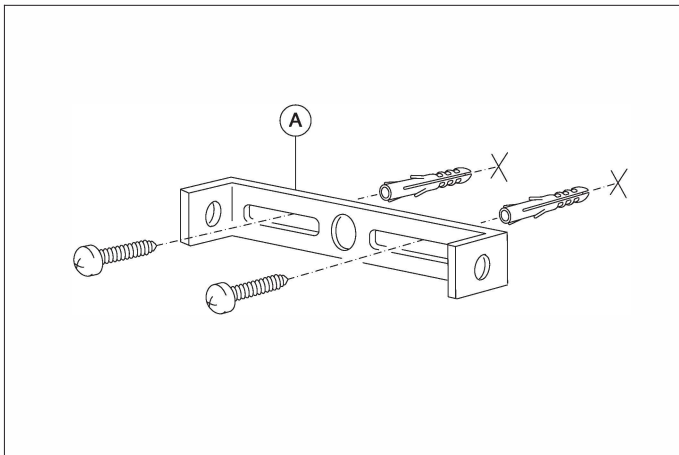


Item type  
Wall Lamp  
Item name  
Wilson  
Item no  
114443

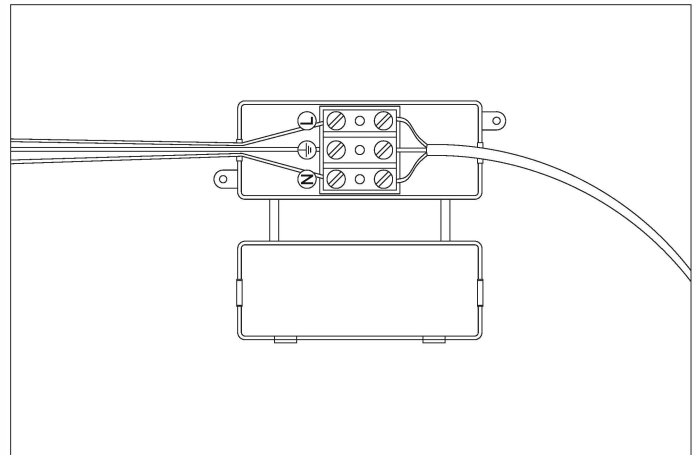
**Attention!** Turn off the electricity supply at the main circuit panel before installing. Do not connect the electricity supply until your luminaire is fully assembled and installed.

**Care instructions:**  
Wipe with a soft dry cloth, do not use chemicals or abrasive cleaning materials.

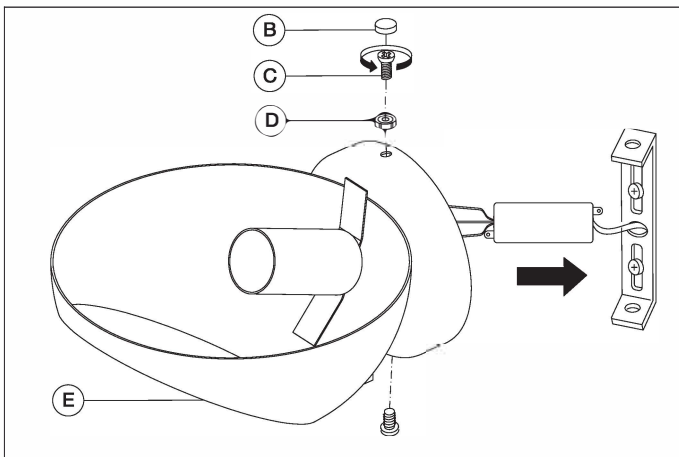
**Eichholtz B.V.**  
Delfweg 52  
2211 VN Noordwijkerhout  
The Netherlands  
www.eichholtz.com  
service@eichholtz.com  
+31 (0)252 515 850



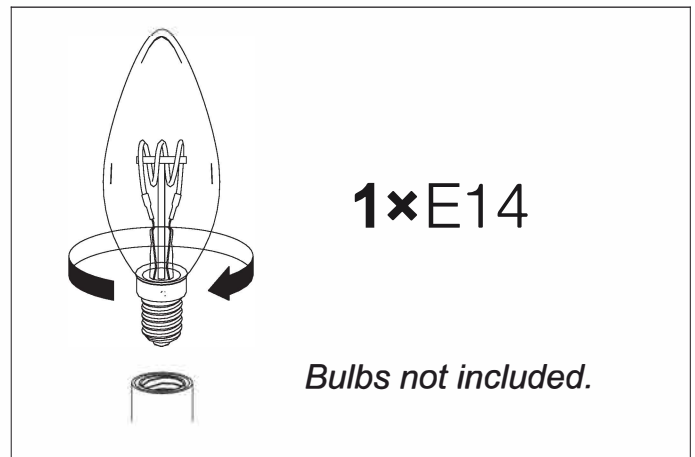
1. Fix the crossbar to the wall by using wall mounting plugs and screws suitable to your wall type.



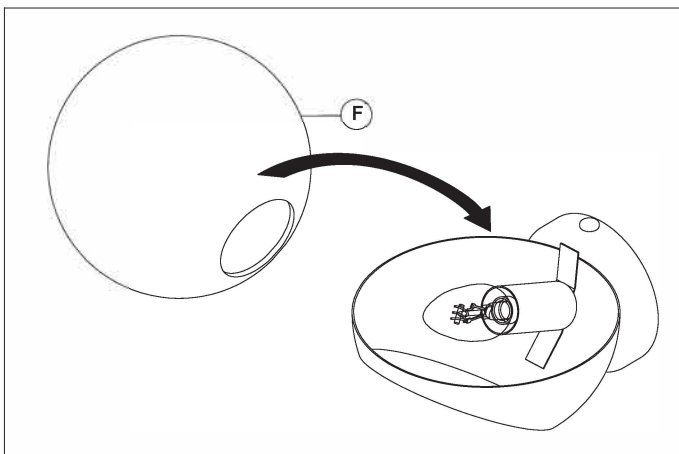
2. Open the wire connector and connect the 3 wires according to their colours . Brown is the live wire, blue is the neutral wire, green/yellow is the earth wire.



3. Place the lamp over the cross bar and align the holes. Fix the plastic ring with the screw and cover it with the cover.



4. Place the bulb.



5. Place the glass by tilting it over the metal clamps and bulb.