

**Item type**

Chandelier

**Item name**

Vince

**Attention!**

Turn off the electricity supply at the main circuit panel before installing.  
Do not connect the electricity supply until your luminaire is fully assembled and installed.

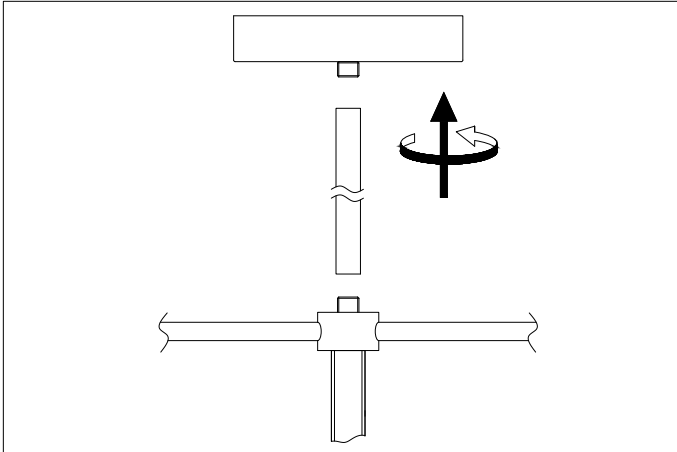
**Care instructions:**

Wipe with a soft cloth, do not use chemicals or abrasive cleaning materials.

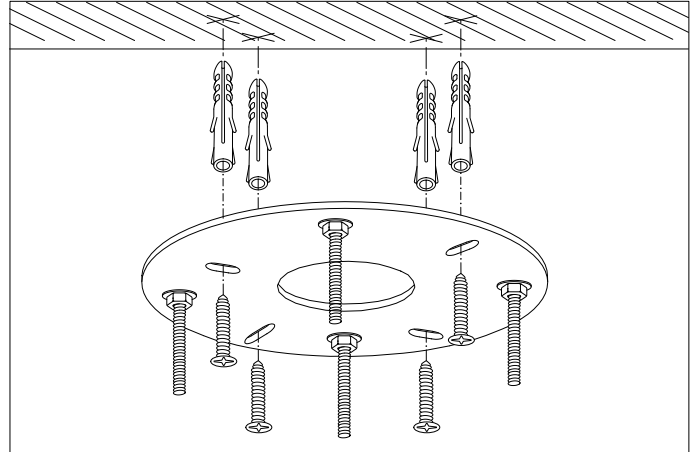
**Eichholtz B.V.**

Delfweg 52  
2211 VN Noordwijkerhout  
The Netherlands

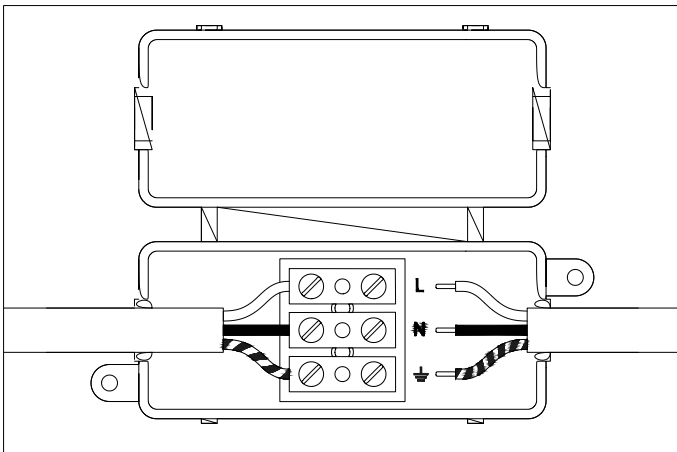
🏠 [www.eichholtz.com](http://www.eichholtz.com)  
✉ [service@eichholtz.com](mailto:service@eichholtz.com)  
☎ +31 (0)252 515 850



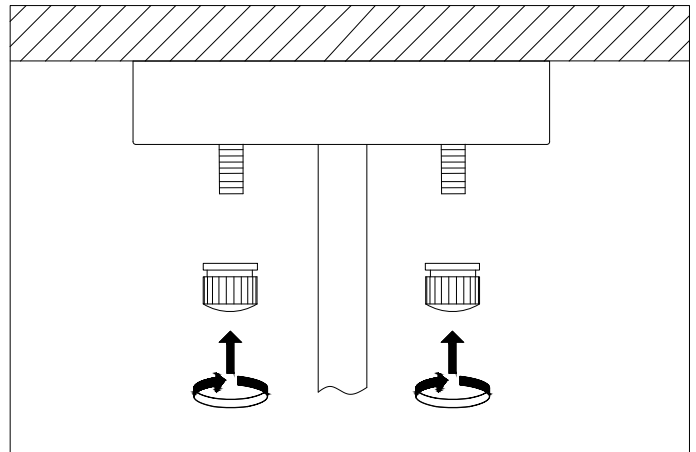
**1.** Determine the desired height of the lamp and use either one, two or three of the pipes supplied. Thread the wires through the pipe.



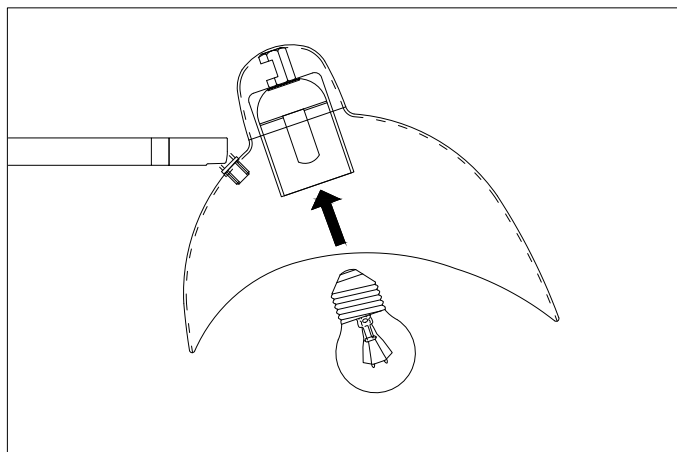
**2.** Fix the ceiling plate to the ceiling by using mounting plugs and screws suitable to your ceiling type.



**3.** Connect the 3 power wires according to their colours. Brown is the live wire, blue is the neutral wire, green/yellow is the earth wire.



**4.** Place the ceiling canopy over the ceiling plate and fix it securely with the four nuts.



**5.** Place the bulbs. Adjust the arms and the shades as desired.