

**Item type**

Chandelier

**Item name**

Damien XL

**Attention!**

Turn off the electricity supply at the main circuit panel before installing.  
Do not connect the electricity supply until your luminaire is fully assembled and installed.

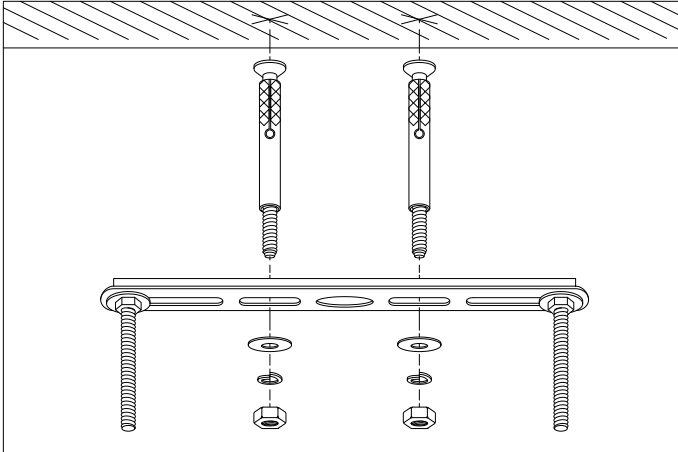
**Care instructions:**

Wipe with a soft cloth, do not use chemicals or abrasive cleaning materials.

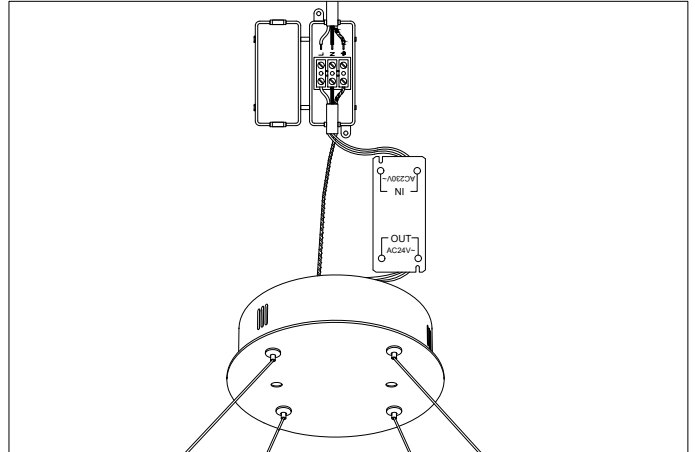
**Eichholtz B.V.**

Delfweg 52  
2211 VN Noordwijkerhout  
The Netherlands

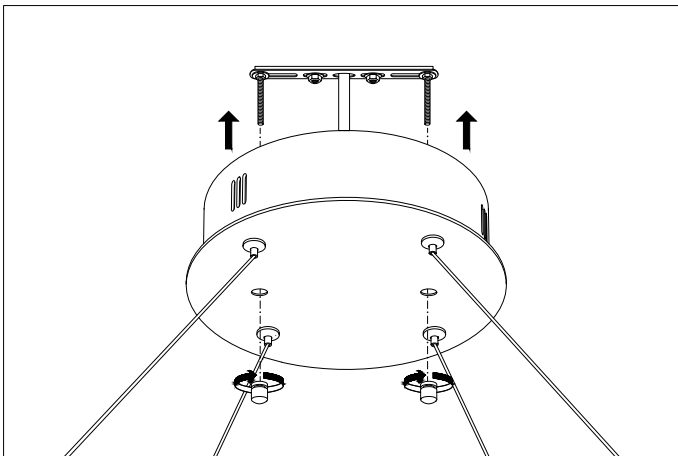
🏠 [www.eichholtz.com](http://www.eichholtz.com)  
✉ [service@eichholtz.com](mailto:service@eichholtz.com)  
☎ +31 (0)252 515 850



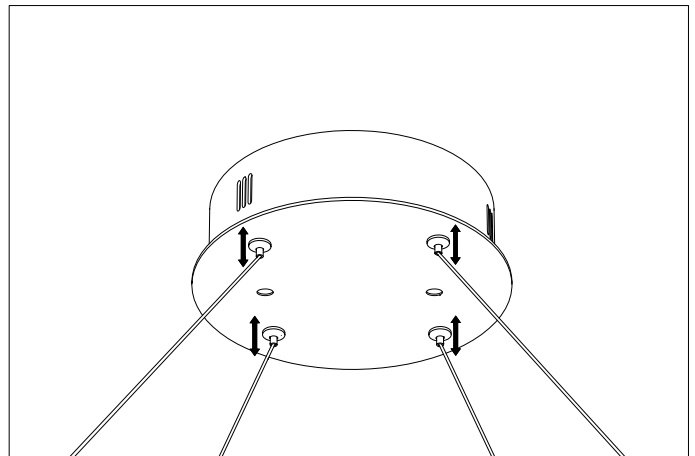
1. Fix the ceiling bracket to the ceiling by using mounting plugs and screws suitable for your ceiling type.



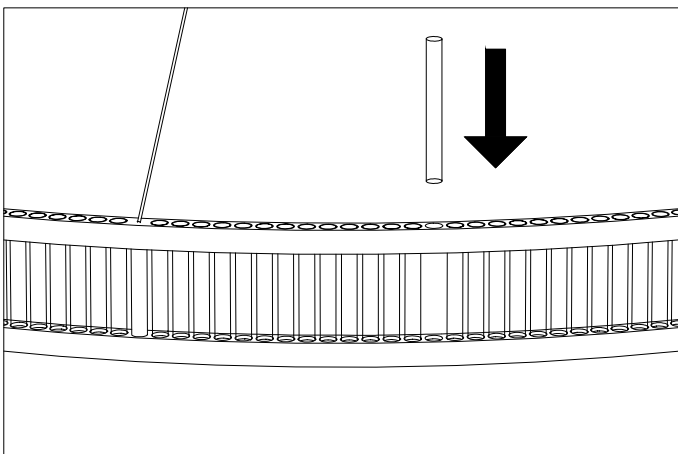
2. Place or hold the lamp in an elevated position in such a way that the wires can freely reach the ceiling junction box. Connect the 3 power wires. Brown is the live wire, blue is the neutral wire, green/yellow is the earth wire.



3. Slide the canopy over the ceiling bracket and fix it with the two nuts.



4. Adjust the length of the wires by pressing the wire lock on the ceiling canopy and pulling/pushing the wire through.



5. Place the glass.