



Item type

Coffee Table

Item name

Lauren

Item no

113839

Attention! Place the item on a soft material on the floor before starting with the assembly, to prevent the item from being damaged.

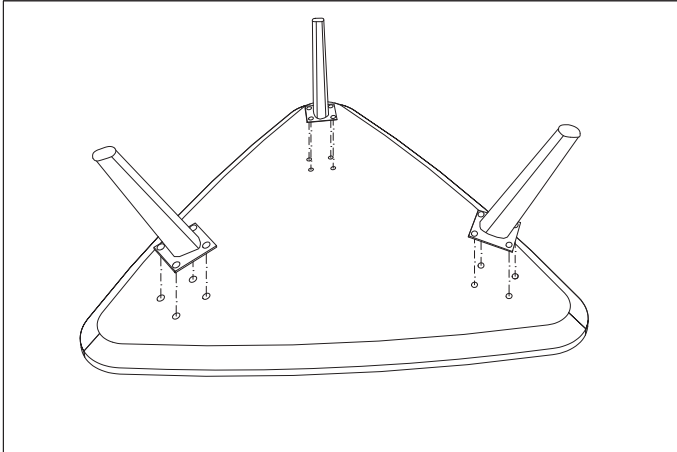
Care instructions:

Dust regularly and clean with a soft dry cloth. Remove spills immediately as moisture can cause the veneer to peel off the surface.

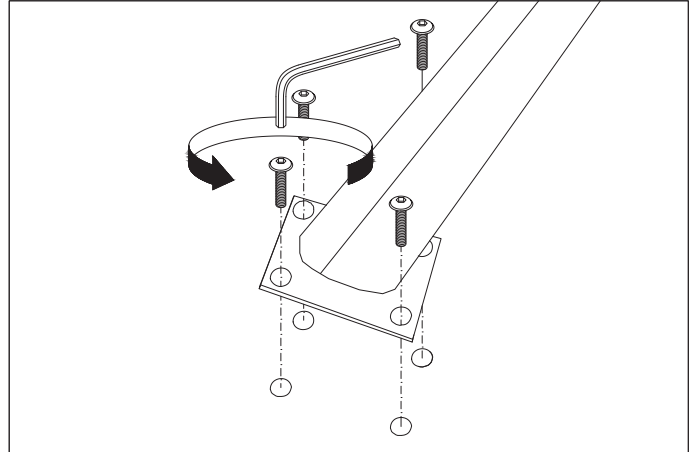
Eichholtz B.V.

Delfweg 52
2211 VN Noordwijkerhout
The Netherlands

🏠 www.eichholtz.com
✉ service@eichholtz.com
☎ +31 (0)252 515 850



1. Place the table tops upside down on a padded area. Use the low legs (B1, B2, B3) for the small table and the high legs (A1, A2, A3) for the large table.



2. Align the legs with the holes in the table top and assemble them using the bolts and allen key.