



E I C H H O L T Z

113835 CABINET JANE

ASSEMBLY INSTRUCTION

PARTS

4x



(A)

2x



(B)

2x



(C)

2x



(D)

2x



(E)

1

Attention! Serious or fatal crushing injuries can occur from furniture tip-over. To help prevent this install the tip-over restraint.

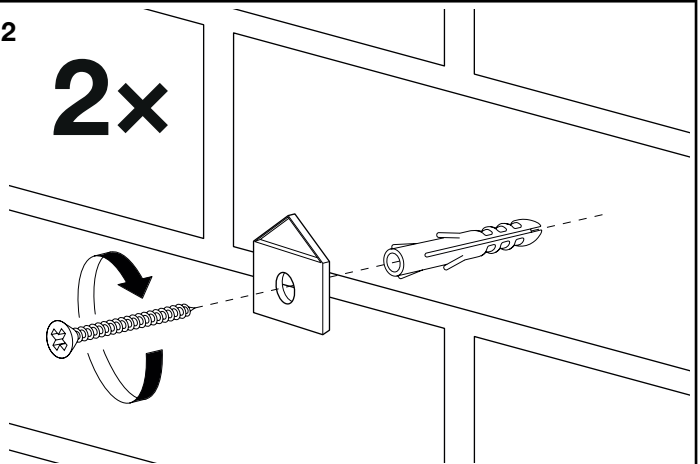
Place heaviest items in lowest drawers.

Never allow children to climb or hang on drawers, doors or shelves.

The tip-over restraint may only reduce, but not eliminate the risk of tip-over.

2

2x



3

