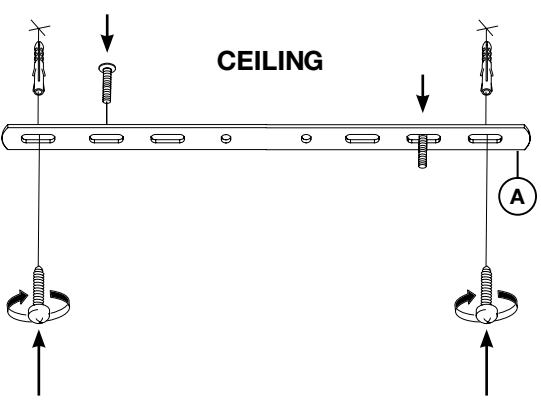
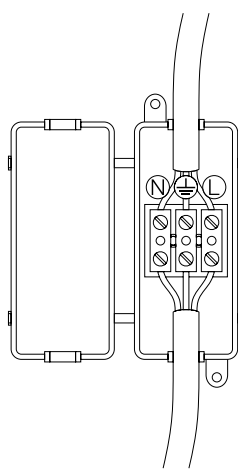
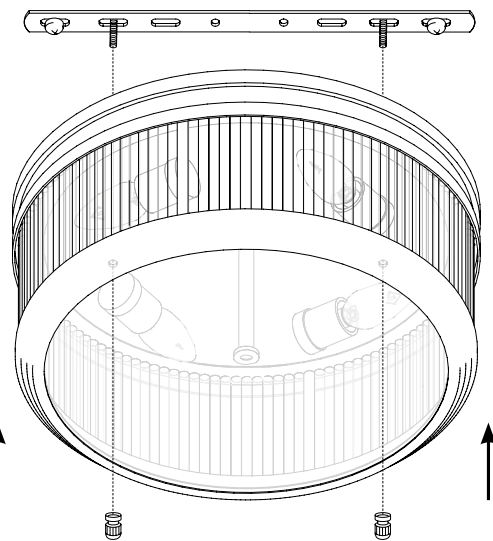
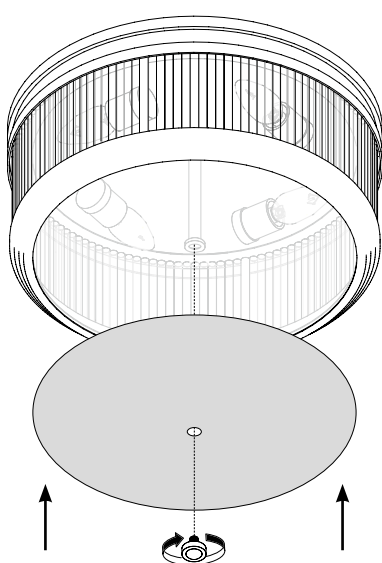
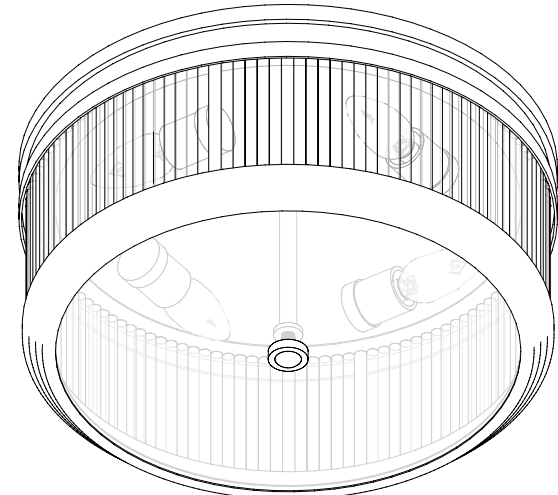




E I C H H O L T Z

112856 CEILING LAMP ROUSSEAU

ASSEMBLY INSTRUCTION

<p><b>1</b></p>  <p>Diagram 1 shows a horizontal ceiling bracket labeled 'A' being mounted to a ceiling. Two screws are shown being inserted into the ceiling through the bracket's mounting holes. Below the bracket, two light bulbs are shown being inserted into the bracket's sockets, with arrows indicating they should be pushed upwards.</p>	<p><b>2</b></p>  <p>Diagram 2 shows the internal wiring compartment of the lamp. Three wires are connected to terminals labeled 'N' (Neutral), 'L' (Live), and 'E' (Earth). The lamp's cover is shown open to the left.</p>
<p><b>3</b></p>  <p>Diagram 3 shows the lamp body being lowered over the ceiling bracket. Two screws are shown being inserted into the lamp body to secure it to the bracket. Arrows indicate the lamp body is being pushed upwards.</p>	<p><b>4</b></p>  <p>Diagram 4 shows the lamp body with the glass cover being placed over it. A finial is shown being inserted into the center of the glass cover to secure it. Arrows indicate the glass cover is being pushed upwards.</p>
<p>Turn off the electricity supply at the main circuit panel before installing. Do not connect the electricity supply until your luminaire is fully assembled and installed.</p> <p>Fix the ceiling bracket (A) to the ceiling by using mounting plugs and screws suitable to your ceiling type.</p> <p>Connect the 3 power wires according to their colours. Brown is the live wire, blue is the neutral wire, green/yellow is the earth wire.</p> <p>Place the lamp over the ceiling bracket and secured it with two screws.</p> <p>Place the bulbs.</p> <p>Place the glass and secure it with finial</p>	<p><b>FINAL</b></p>  <p>Diagram 5 shows the final assembled lamp, fully installed and ready for use.</p>