

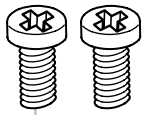


E I C H H O L T Z

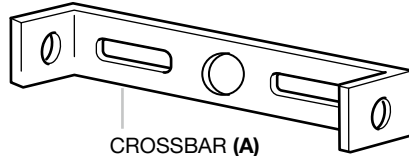
112666 WALL LAMP LIPARI

ASSEMBLY INSTRUCTION

PARTS



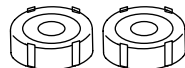
SCREWS



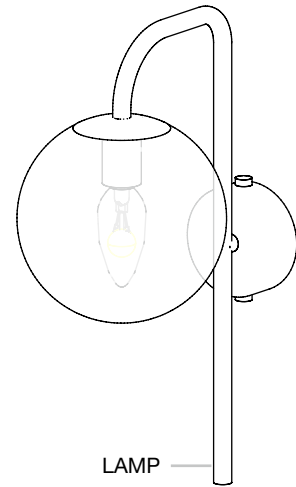
CROSSBAR (A)



SCREW COVER

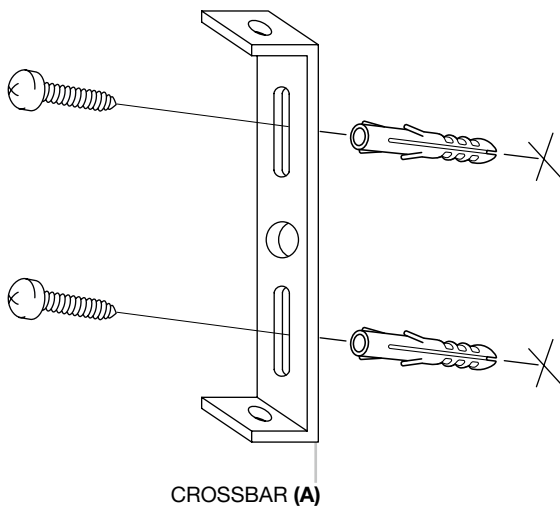


SCREW PLASTICS



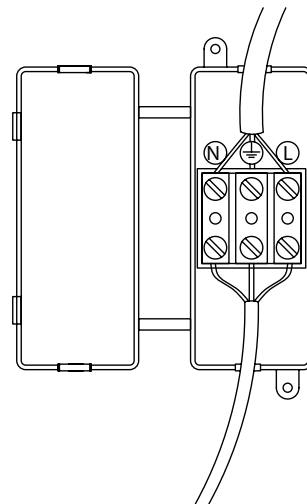
LAMP

1

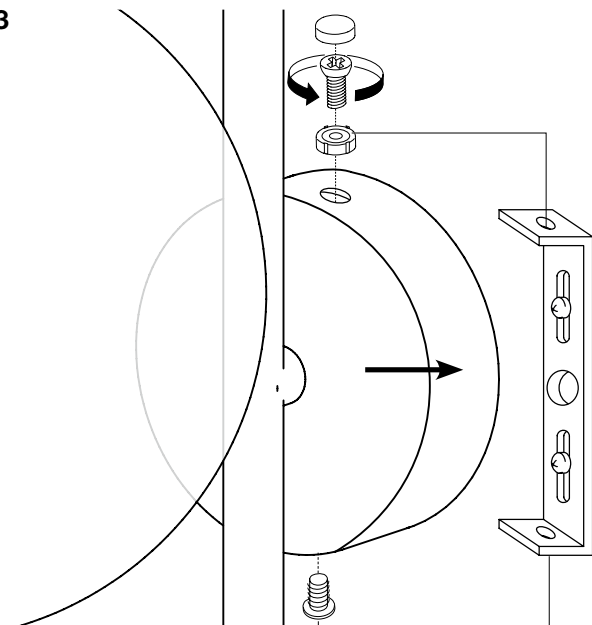


CROSSBAR (A)

2



3



Switch off the power at the main switchboard.

Fix the crossbar (A) to the wall by using wall mounting plugs and screws suitable to your wall type.

Connect the 3 power wires according to their colours. Brown is the live wire, blue is the neutral wire, the green yellow wire is the earthwire.

Place the lamp over the cross bar (in the position you prefer) and put the screws through the plastic rings. Tighten the screws gently. Place the screw covers.

Place the bulb to the lampholder.

Screw the glass ball on the lamp.