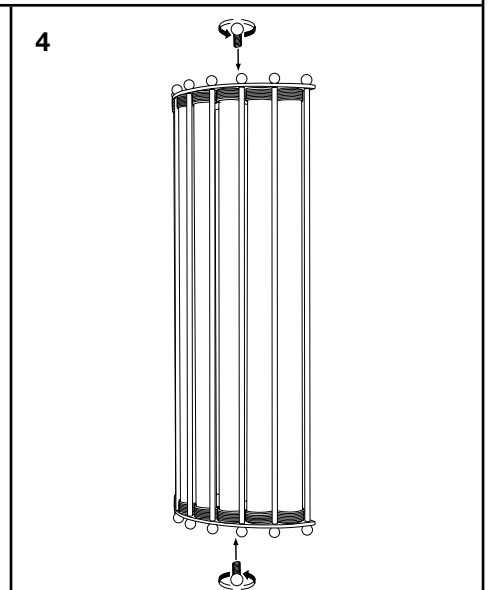
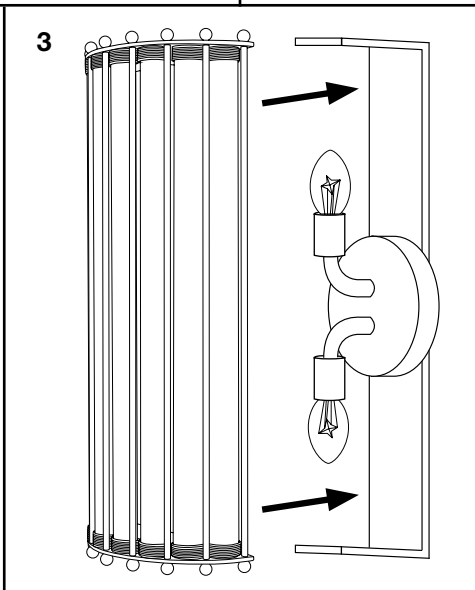
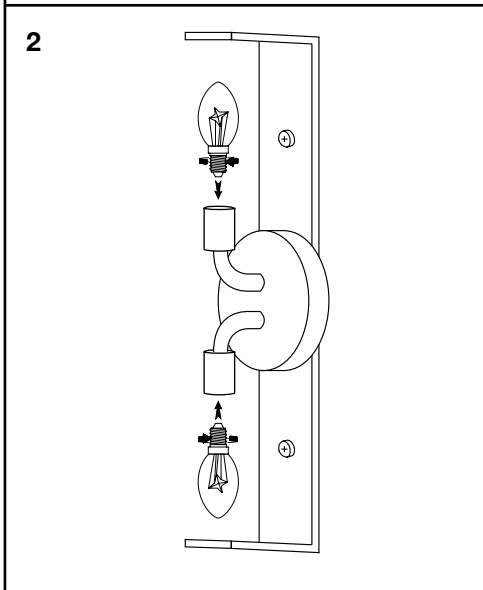
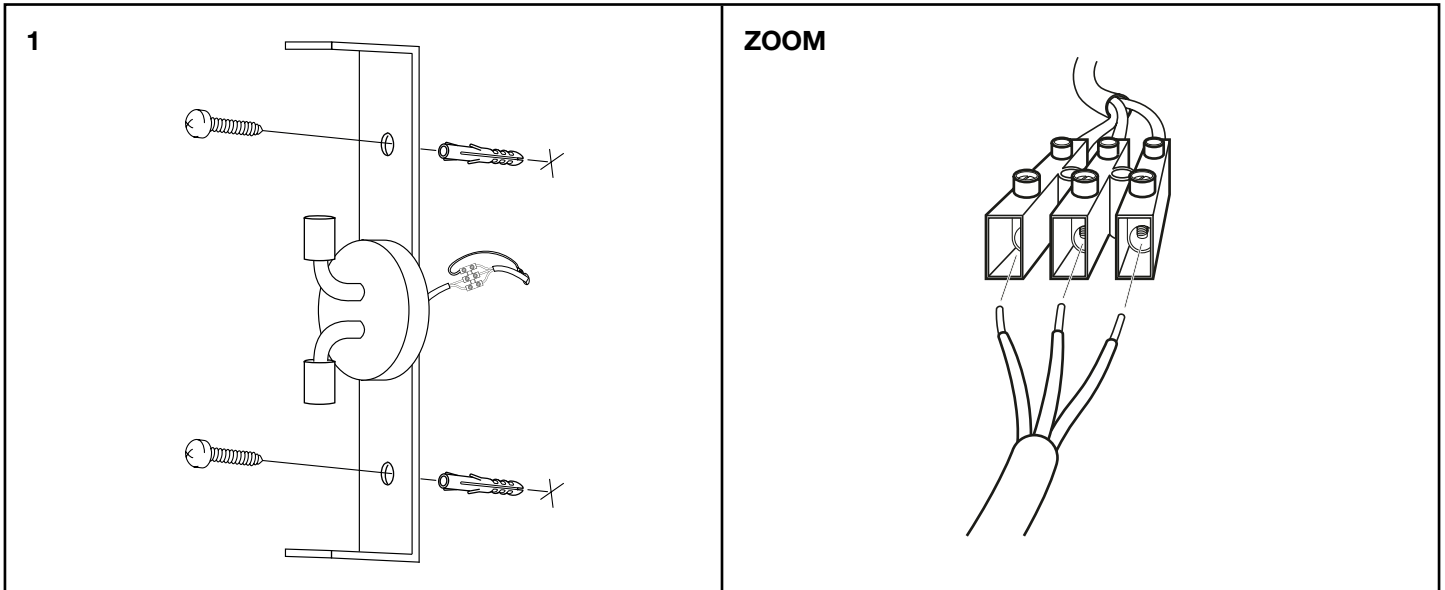




E I C H H O L T Z

111579 WALL LAMP TIZIANO

ASSEMBLY INSTRUCTION



Turn off the electricity supply at the main circuit panel before installing.
Do not connect the electricity supply until your luminaire is fully assembled and installed.

Remove the knob at the top of the lamp and at the bottom of the lamp and remove the wall bracket with lamps.

Connect the 3 power wires according to their colours. Brown is the live wire, blue is the neutral wire, the green/yellow wire is the earthwire.
Screw the wall bracket to the wall.

Place the front cover with glass over it and place the two knobs back at the bottom and the top of the lamp.

CARE INSTRUCTION
Wipe clean with soft, dry cloth.
Always avoid the use of harsh chemicals or abrasive cleaners as they may cause damage to the fixture's finish.

