

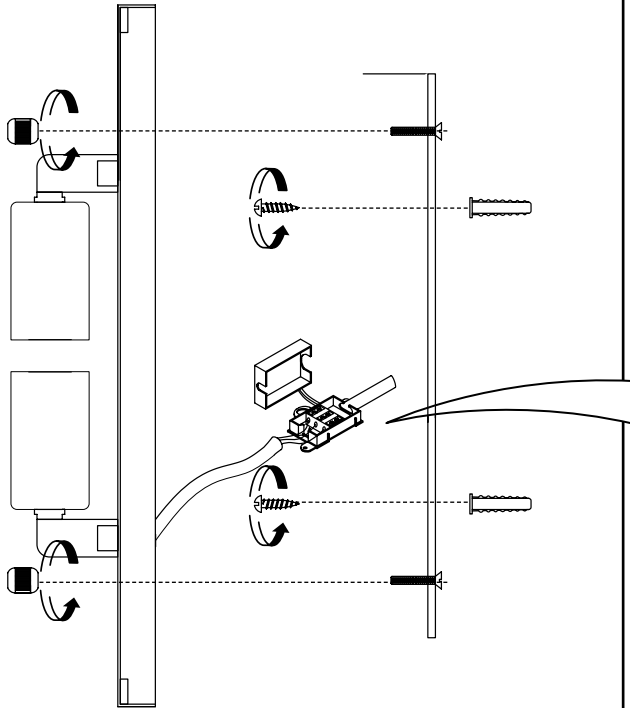


E I C H H O L T Z

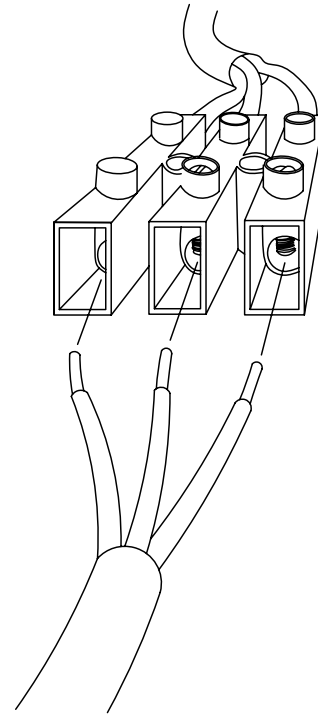
111172 WALL LAMP MANCINI

ASSEMBLY INSTRUCTION

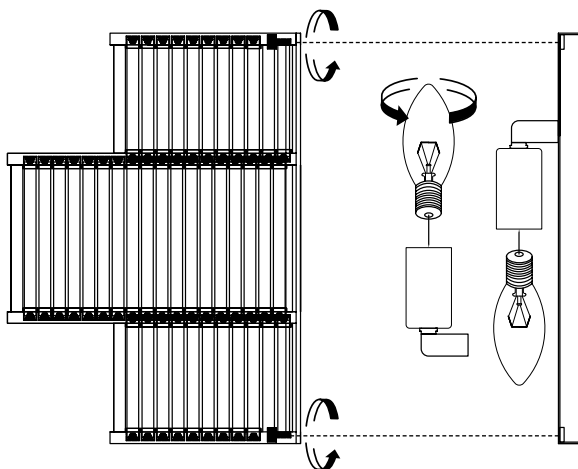
- 1** Fix the wall plate to the wall by using wall mounting plugs and screws suitable to your wall type. Place the lamp over the wall plate and fix it securely with the nuts supplied after connecting the wires.



- 2** Connect the 3 wires according to their colours. Brown is the live wire, blue is the neutral wire, green/yellow is the earth wire.



- 3** Place the bulbs and place the front of the lamp and fix it securely with the four nuts supplied.



**FINAL**

