

Item type

Wall Lamp

Item name

Wentworth Single

Item number(s)

107174

Attention!

Turn off the electricity supply at the main circuit panel before installing.
Do not connect the electricity supply until your luminaire is fully assembled and installed.

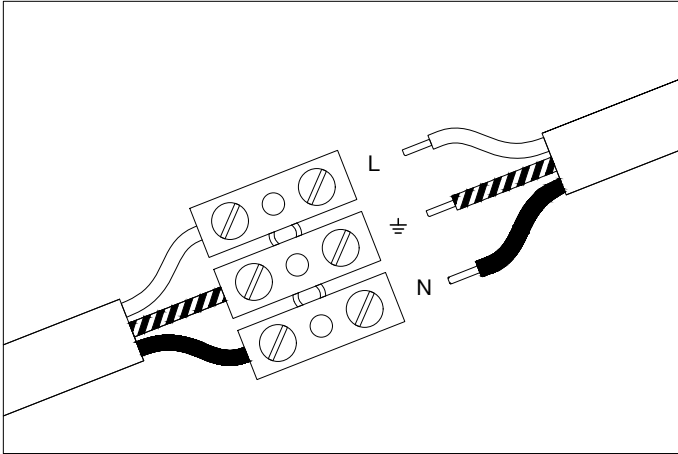
Care instructions:

Wipe with a soft cloth, do not use chemicals or abrasive cleaning materials.

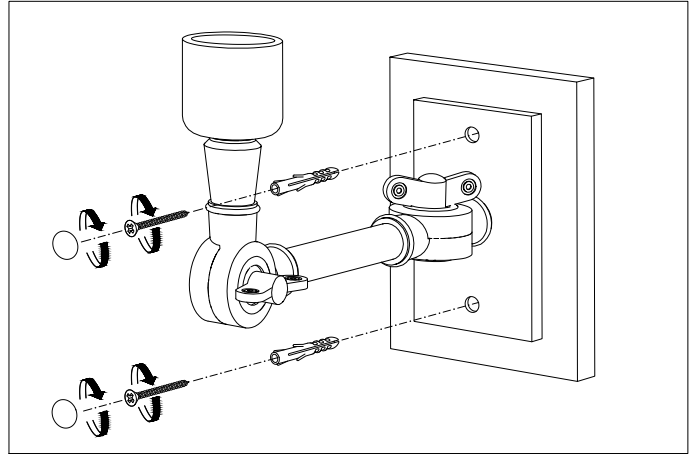
Eichholtz B.V.

Delfweg 52
2211 VN Noordwijkerhout
The Netherlands

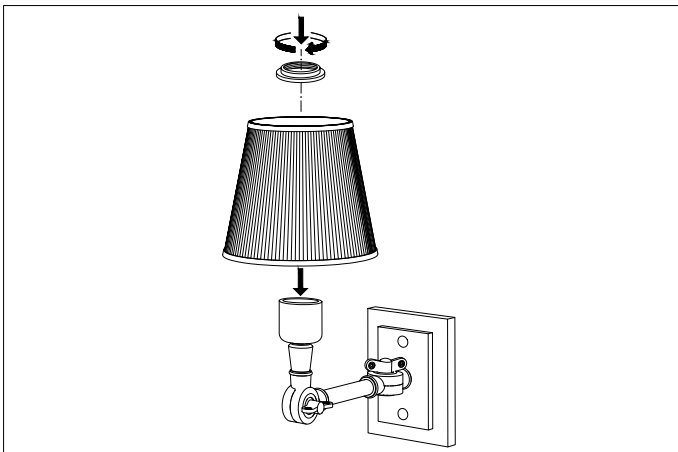
🏠 www.eichholtz.com
✉ service@eichholtz.com
☎ +31 (0)252 515 850



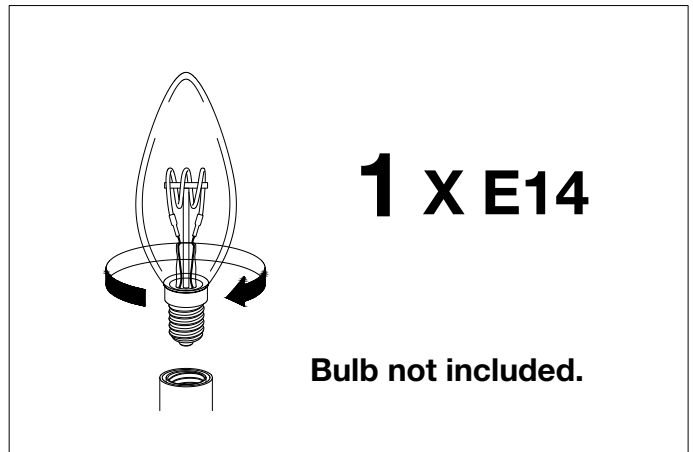
1. Connect the 3 wires according to their colours. Brown is the live wire (L), blue is the neutral wire (N), green/yellow is the earth wire (⏚).



2. Fix the luminaire to your junction box or wall by using suitable wall mounting plugs and screws.



3. Place the shade.



4. Place the bulb.