

Move Shoot Move Rotator User Manual

Button Version 1.1

Thanks for purchasing Move Shoot Move Rotator, please feel free to contact us anytime:

support@moveshootmove.com

Specification:

Size: 100*80*43 mm

Weight: 445g

Material: Aluminum alloy

Surface: Anodizing

Temperature: -5°C ~ 45°C

Max Horizontal Load: 5Kg

Min rotation speed: 0.05°

Vertical Rotating torque: 11kg/cm

Full Speed star tracking: 360°/24hrs

½ Speed star tracking: 360°/48hrs

Input Voltage: DC5.0V 1.0A Max

Battery: 11.1 Wh

Battery life: 8hrs

Charging time: 1 hour

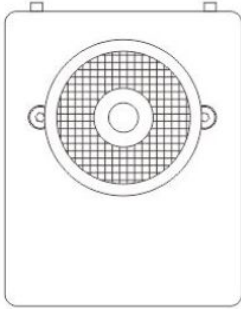
Charging: Yellow LED

Charged: Green LED

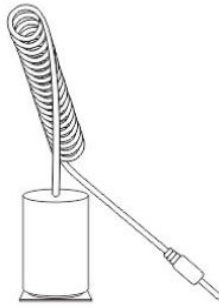
Packing Size: 100*130*130 mm

Packing Weight: 515g

Packing List :



Rotator x 1



Sync Cable x 1

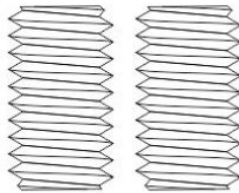


Type - C x 1

Screw Adapter x 1



3/8 Screw x 2



Hexagon Screwdriver x 1



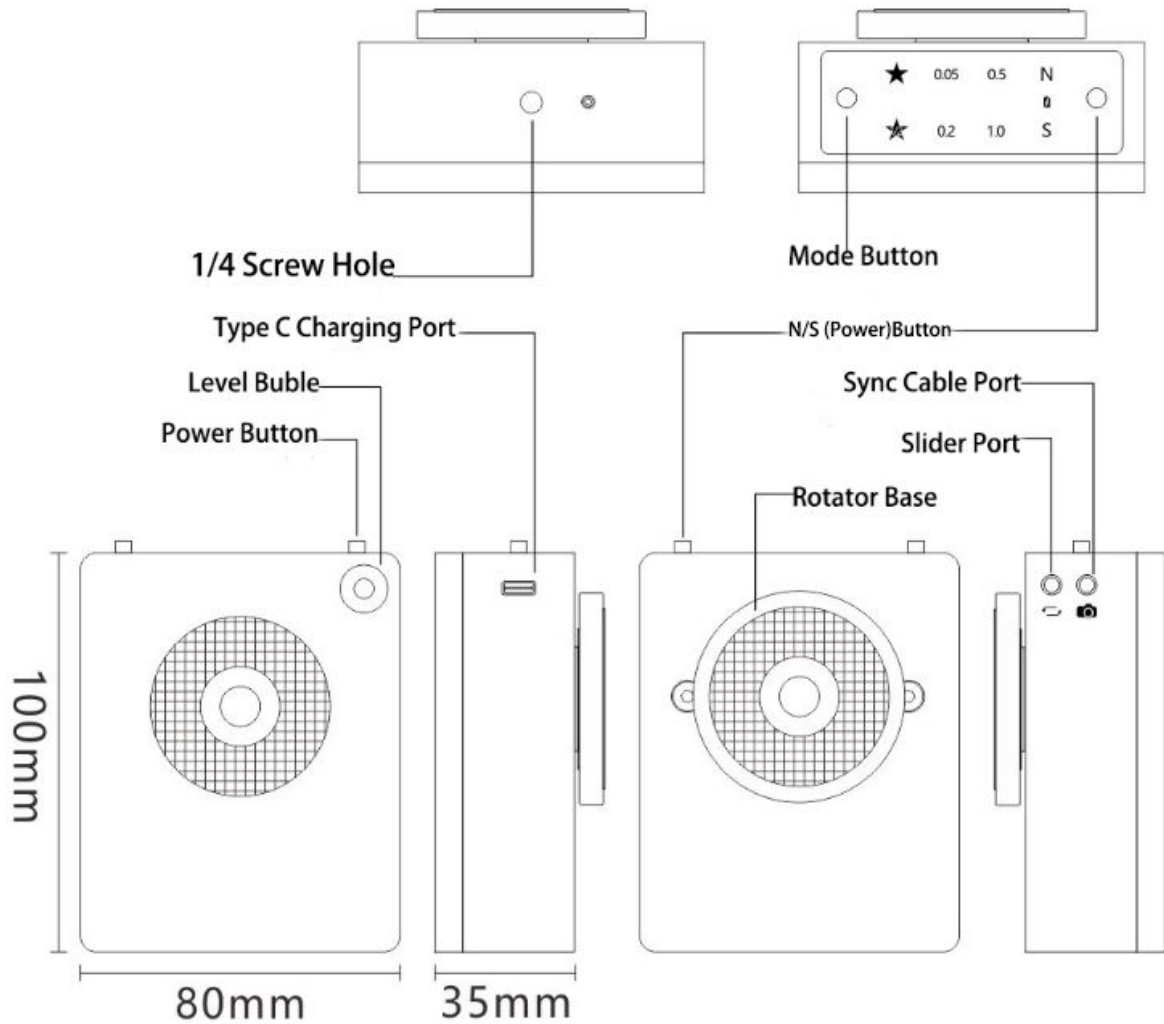
Main Body

N/S Power button:

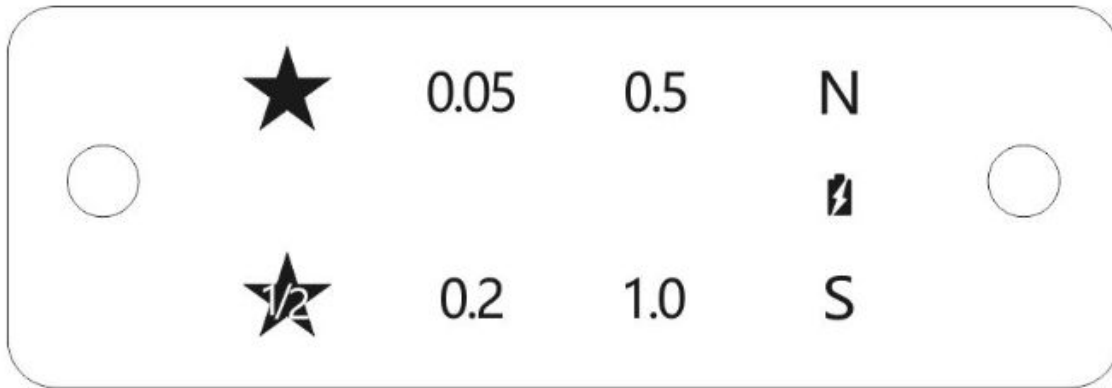
Press and hold to turn ON/OFF the Rotator

Press to switch between N/S mode

Mode Button: Press to switch between different mode.



Mode Explanation

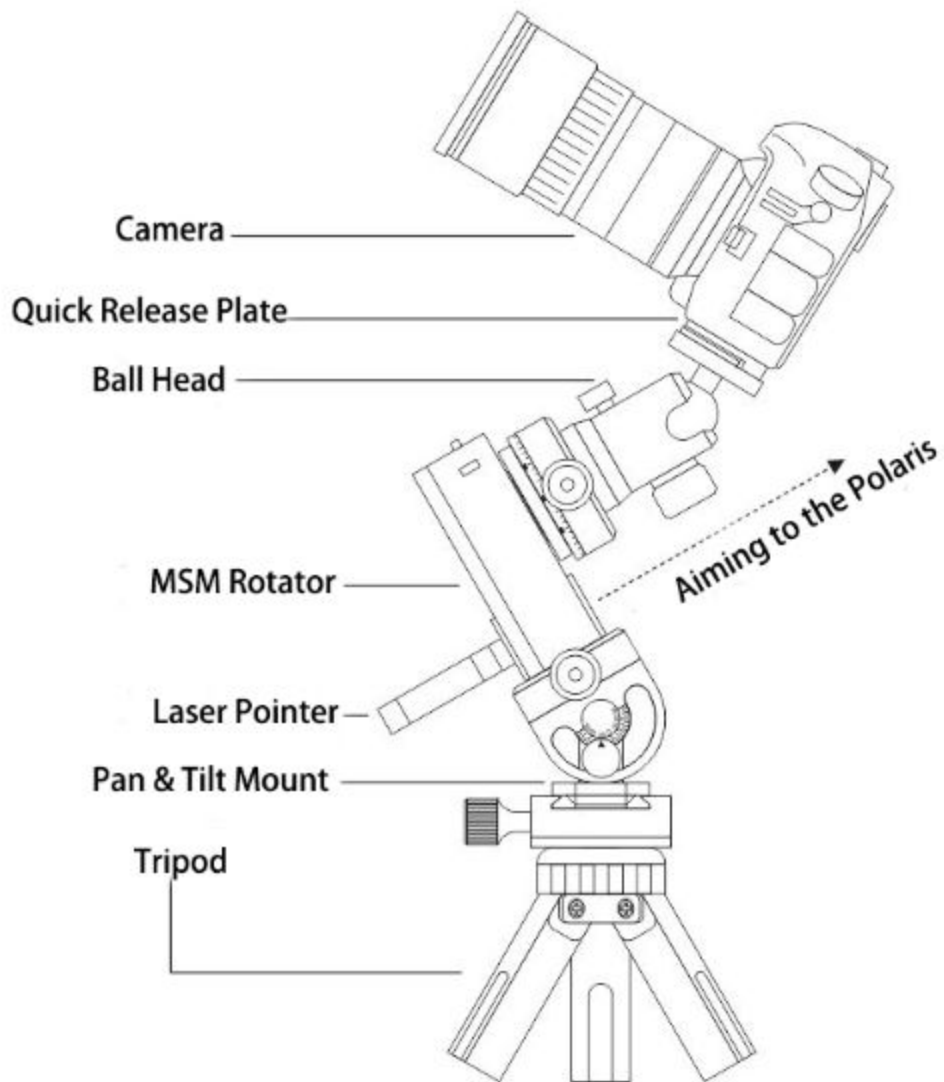


0.05	0.05 ° /step, 30° for 600 shots
0.2	0.2 ° /step, 60° for 300 shots
0.5	0.5 ° /step, 150° for 300 shots
1	1° /step, 300° for 300 shots
★	Full speed star tracking, 360° in 24 hrs
★1/2	1/2 speed star tracking, 360° in 48 hrs
N	Northern Hemisphere, Clockwise Rotation
S	Southern Hemisphere, Anti-clockwise Rotation

Star Tracking Mode Setup

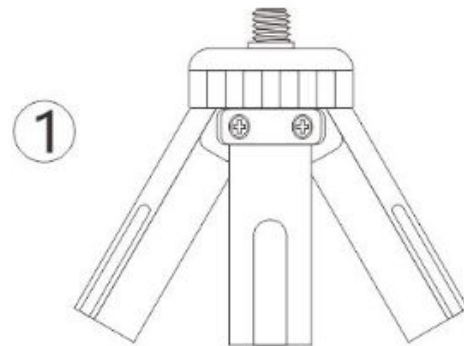
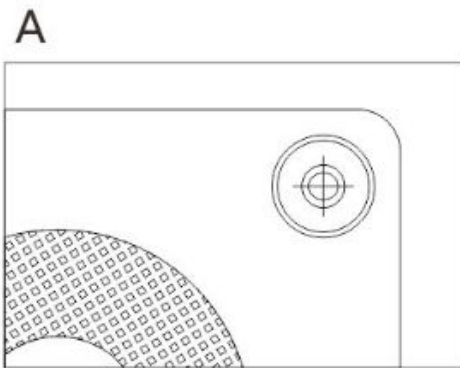
For detailed star tracking tutorial, please check here:

<https://www.moveshootmove.com/blogs/astrophotography-tutorial?aff=13>



How to Do Timelapse with MSM Rotator?

1. Take off your tripod's base, install MSM Rotator on your tripod. Rotator Base side down, and reference the level bubble to make it horizontal.
2. Install the panoramic base / Ball head onto the Rotator
3. Install your camera onto the Panoramic base or the ball head.
4. Connect the Camera's hot-shoe to MSM Rotator's sync port by the sync cable.



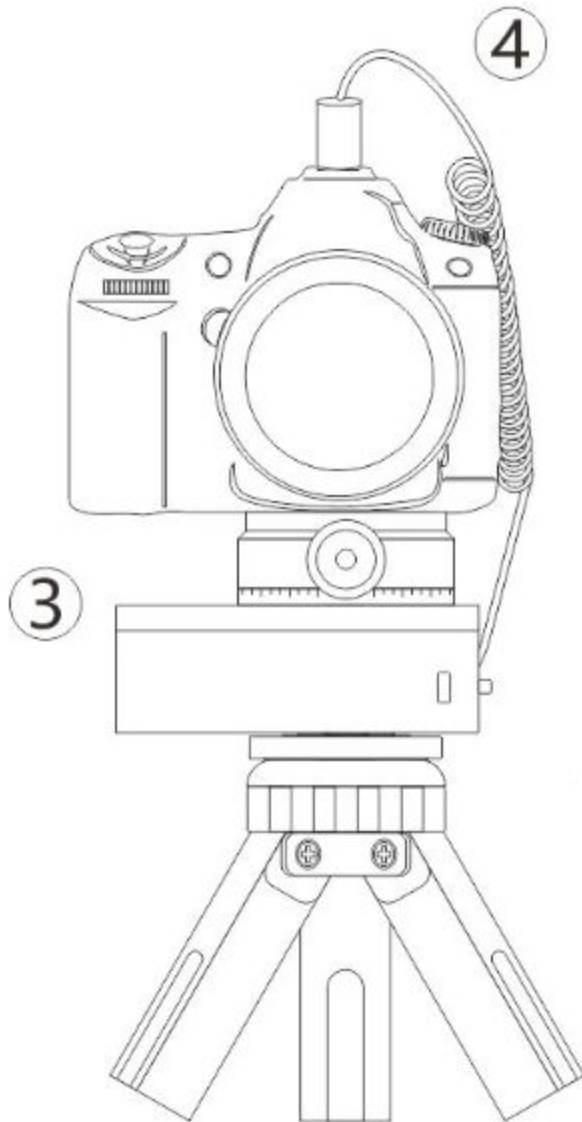
5. Camera setting up:

- Turn OFF "Silence Shutter"
- If your camera has a built-in time-lapse app, turn OFF its "Silence shutter"
- Turn ON camera's flash.
- Turn OFF "Real-time display" for Canon and Nikon cameras.

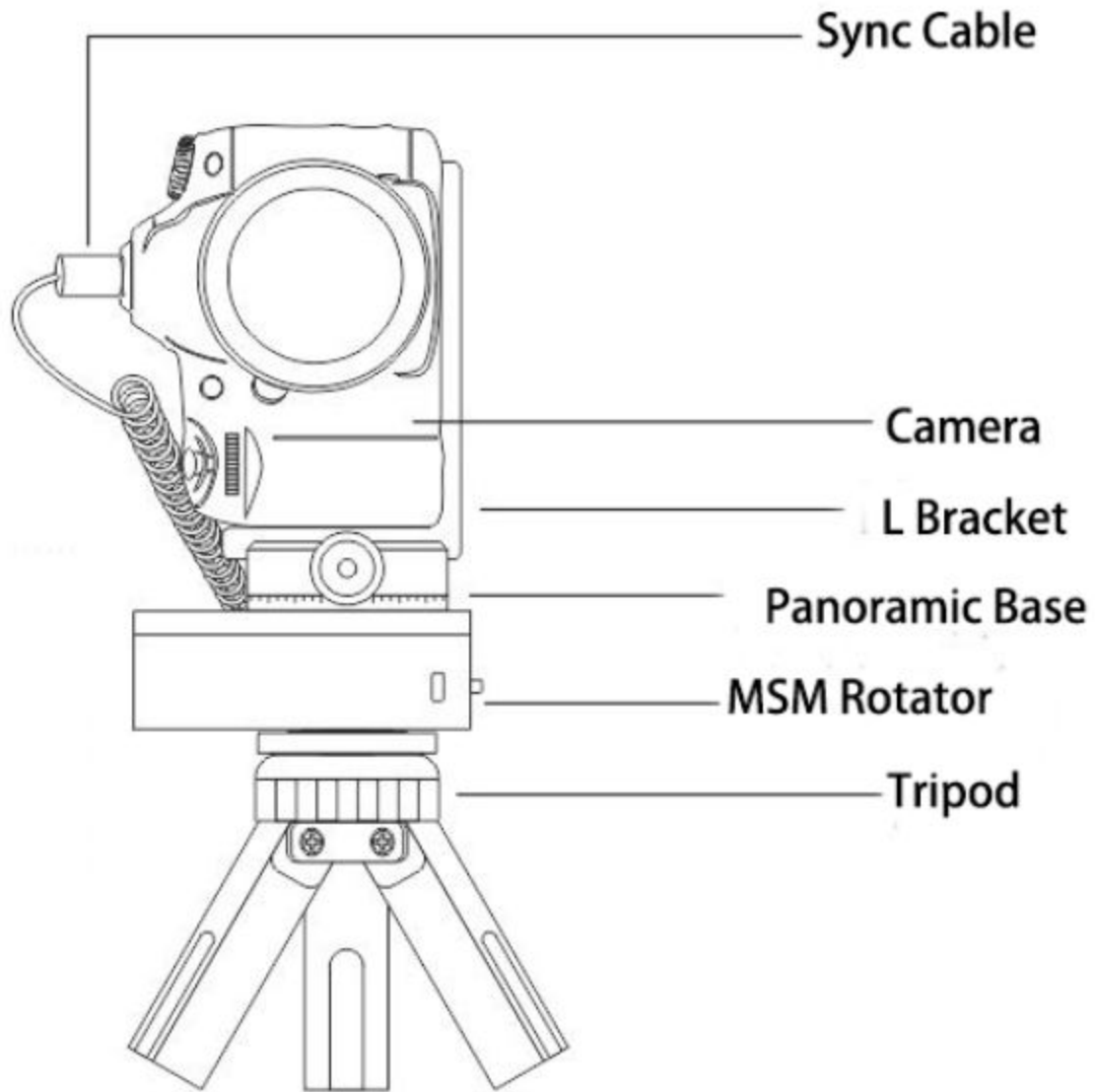
6. Rotator setting up:

- Hold and press N/S button to turn ON/OFF the Rotator.
- Press the Mode button to switch between different mode.
- Press the N/S button to switch between N and S

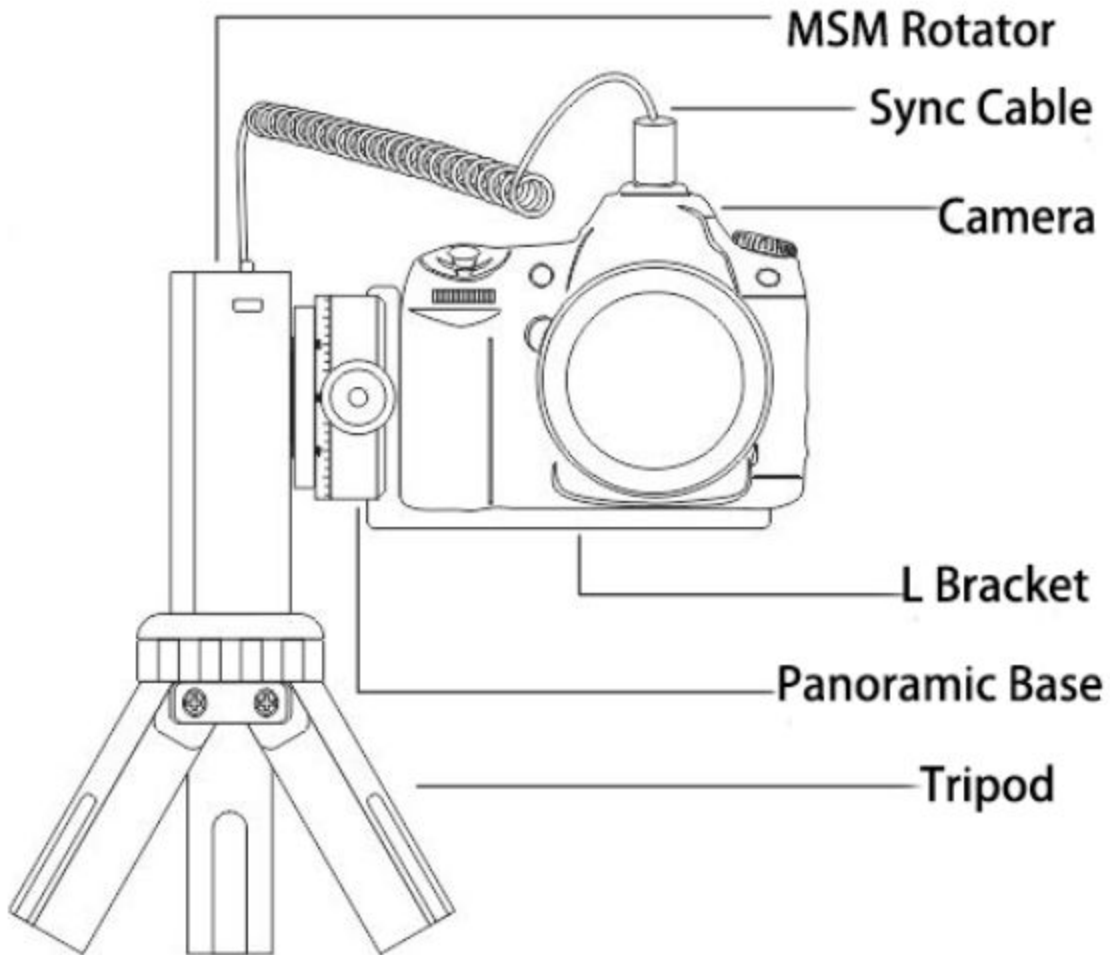
7. Connect the timer shutter release with your camera to set the shutter speed, the interval time, total shots.
8. The Rotator will move once after each shot.



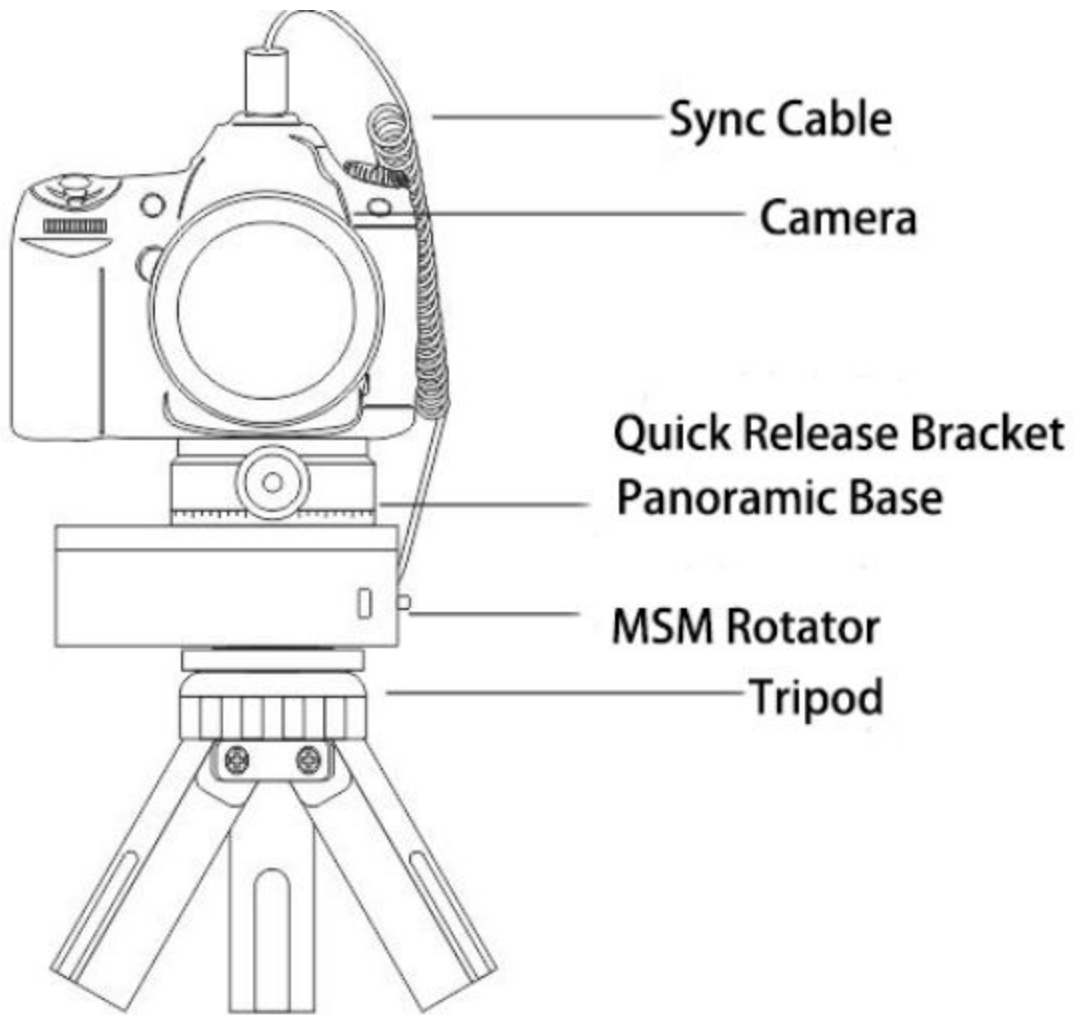
Timelapse Setup Demo 1 - Vertical Camera



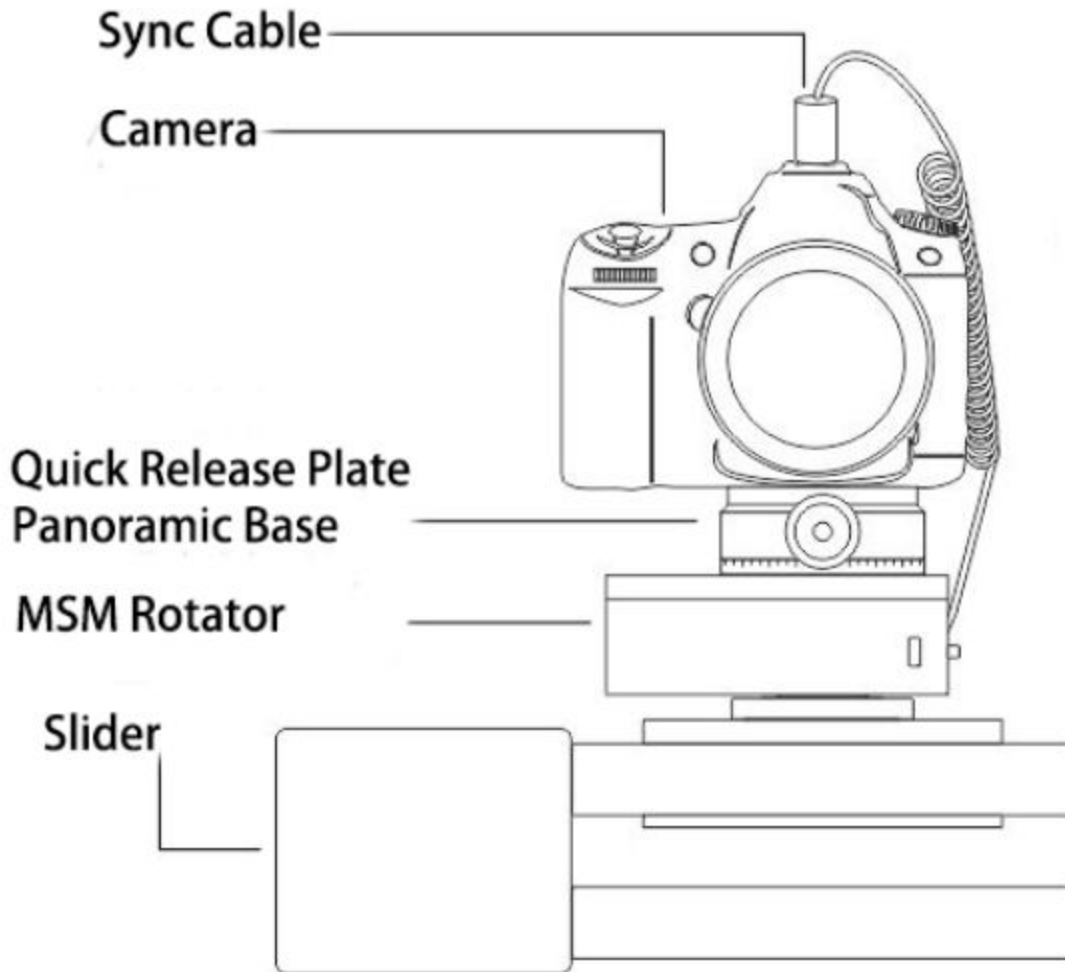
Timelapse Setup Demo 2 - Vertical Rotator



Timelapse Setup Demo 3 - Horizontal



Timelapse Setup Demo 4 - Slider



Trouble Shooting

- 1, N and S LED flash at the same time: Low battery.
- 2, N/S LED flashes but the Rotator does not rotate: Internal Error.
- 3, Camera is shooting, but N/S LED does not flash:
 - Check the camera's setting: Turn OFF 'silent shutter', turn OFF 'real time display', turn ON flash.
 - Sync cable does not connect well
- 4, Camera is shooting, N/S indicator does not flash for a long time:
 - The Rotator is overloaded.
 - The Rotator has an internal error.