



MILES



**THE  
PHANTOM**

# **WARNING**

## **PLEASE READ BEFORE RIDING:**

**DO NOT RIDE YOUR BOARD UNTIL YOU HAVE READ ALL OF THE FOLLOWING INFORMATION**

**ALWAYS** wear a helmet and other safety equipment when riding the board. These can reduce your chance of serious injury or death in an accident.

*Other forms of protective gear, such as knee pads, elbow pads, and wrist guards are highly recommended.*

**ALWAYS** obey and check the local road rules in your area for where you can ride, and do not ride on busy roads with line markings.

**ALWAYS** respect pedestrians.

**DO NOT** ride the board if you are under the influence of drugs or alcohol.

**DO NOT** ride the board in wet/rainy conditions. While the motors are water resistant, the board may slide from under your feet causing injury.

**DO NOT** ride the board in poor visibility conditions.

**TAMPERING** with the board's electronics will void your warranty.

# ***CONTENTS***

<b>SAFETY</b>	<b>4</b>
<b>POWER &amp; CHARGING</b>	<b>6</b>
<b>PHANTOM COMPONENTS</b>	<b>8</b>
<b>PHANTOM REMOTE</b>	<b>10</b>
<b>CONNECTING THE REMOTE</b>	<b>10</b>
<b>USING THE REMOTE</b>	<b>12</b>
<b>YOUR FIRST RIDE</b>	<b>14</b>
<b>MAINTENANCE</b>	<b>16</b>
<b>ADJUSTING YOUR RIDE</b>	<b>16</b>
<b>BATTERY SAFETY</b>	<b>17</b>
<b>WARRANTY</b>	<b>19</b>

*For the latest version of this User Manual visit:*  
[MILESBOARD.COM/MANUAL](https://milesboard.com/manual)

# ***SAFETY:***

## **WARNING:**

**AT ANY MOMENT, YOUR BOARD CAN LOSE POWER DUE TO REASONS SUCH AS RADIO INTERFERENCE, DRAINED BATTERIES, ACCIDENTAL RELEASE OF THE THROTTLE, AND OTHER FACTORS.**

Be careful with the throttle. To make the board responsive and fun, we've increased the throttle sensitivity. This higher sensitivity means fast or sudden inputs (quick acceleration or breaking) can easily cause you to fall off. Start off slow when riding in faster speed modes.

**HILLS AND HIGH SPEED CAN BE VERY DANGEROUS** as high speed crashes can cause serious injury or death. Even if you are an experienced rider, take caution at all times.

**HIGH SPEED MOTOR VEHICLES CAN KILL OR MAIM YOU.** The Phantom is not designed for use on public roads. Check your local regulations before you ride to ensure compliance with any laws or ordinances. Always maintain awareness of your surroundings while riding. If moving vehicles are present, assume they cannot see you. Know your local laws governing the use of your board.

**ONLY RIDE THE PHANTOM AT SPEEDS AND ON HILLS WHERE YOU'D BE COMFORTABLE WITHOUT POWER AND BRAKES.**

**Always wear a helmet.** Other forms of protective gear, such as knee pads, elbow pads, and wrist guards are highly recommended.



While the Phantom is water resistant, exposure to water and the elements will cause your Phantom to age faster. Exposure to heavy rains, puddles or submersion in water can damage the electronics.

Riding your board in poor visibility conditions is highly ill advised.

Keep loose fitting clothing, hair, and fingers away from all moving parts.

Metal parts of the board will heat up during use and can cause serious burns if touched.

You, The User, are expected to be able to operate a non-powered skateboard prior to riding the PHANTOM

**The PHANTOM packs a lot of power. Follow these tips to ensure a safe riding experience:**

- Accelerate carefully.
- Ride with a wide stance on the board.
- Ride with a low center of gravity.
- Lean forward when accelerating.
- Lean backwards when braking.

# ***POWER AND CHARGING***

**Before using the board, you must fully charge the battery.**

Using the wall charger provided, plug in your PHANTOM. The charging port (1) is located underneath the deck on the back-right portion of the board. Remove the safety cap that prevents water and dust from entering the port and plug in the board.

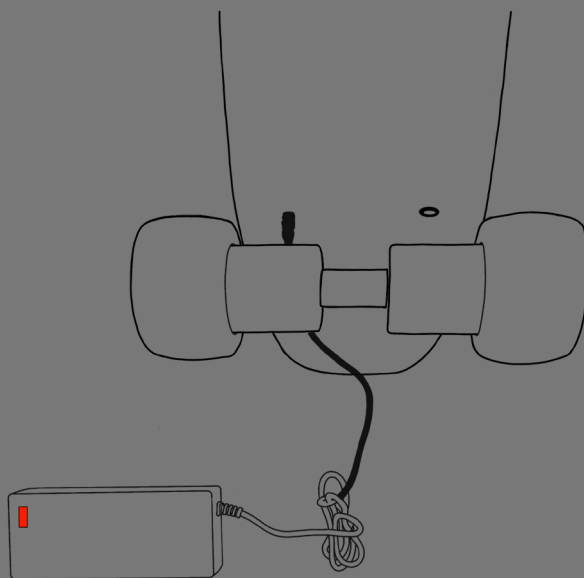
Charging can take some time, so it is best to place your board on charge after any ride, this will keep the battery fully charged and ready whenever you are. The charging block has a battery indication light, so you know when it is full.

Red - Board is charging  
Green - Board Battery is full

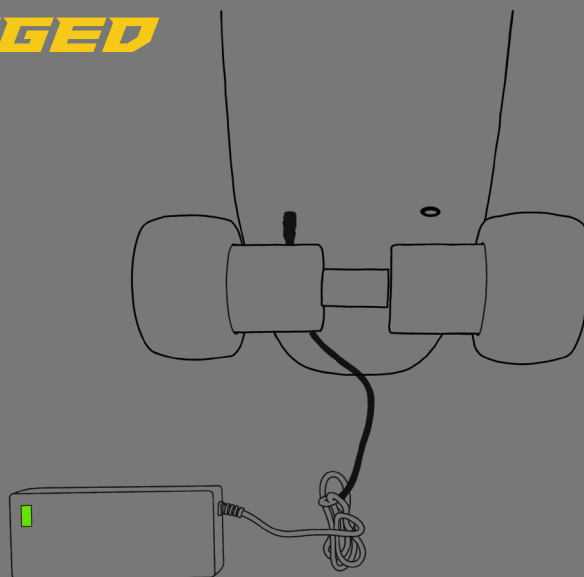
**TIP: Disconnect the wall charger from you board once it is fully charged to help extend the batteries life.**

- 1.** Connect the supplied micro USB cable to your remote and fully charge it with any device that supports USB charging.
- 2.** The remote battery level will be displayed in the top left corner of the screen.
- 3.** When the battery icon is full and stops flashing, the battery is fully charged.

# ***CHARGING***



# ***CHARGED***



# ***PHANTOM COMPONENTS***

**1. KINGPIN**

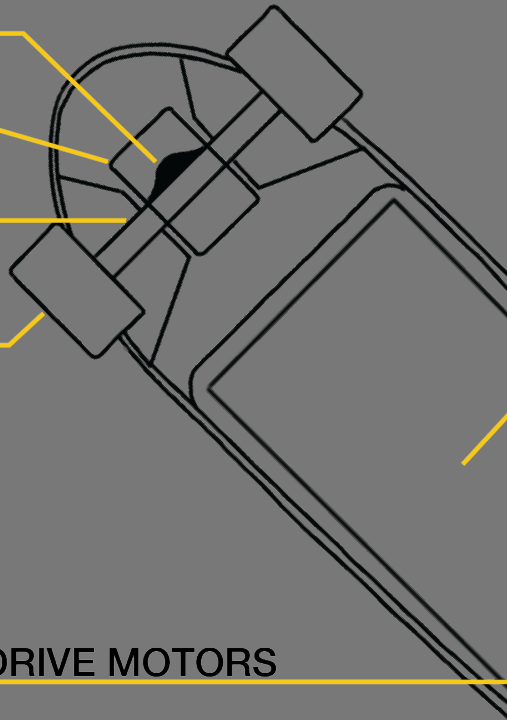
**2. BASEPLATE**

**3. FRONT TRUCK**

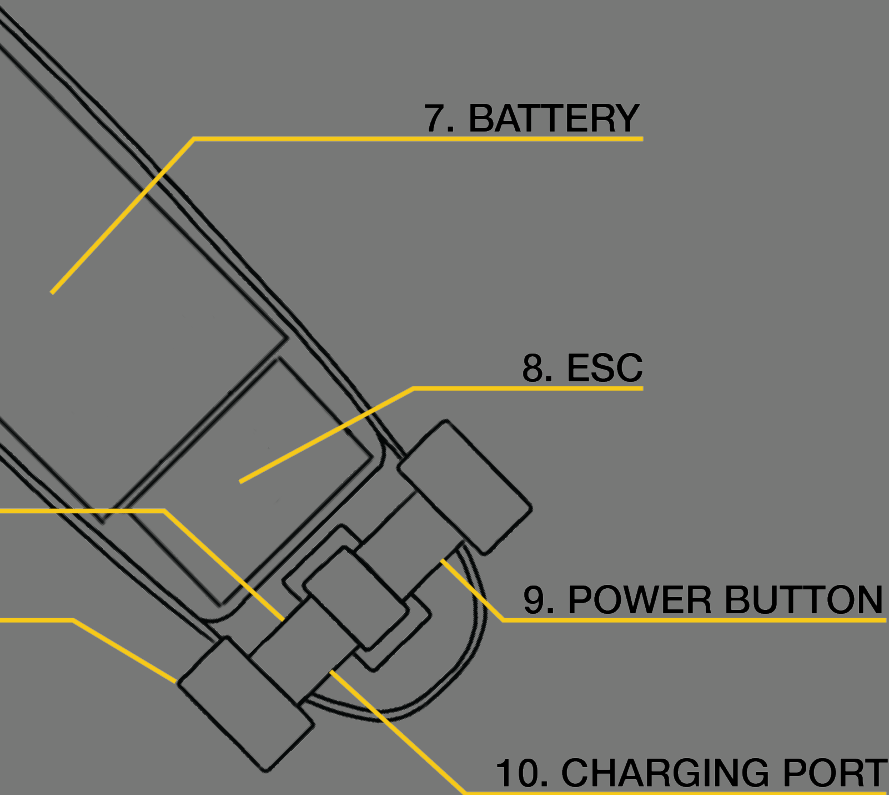
**4. FRONT WHEELS**

**5. DIRECT-DRIVE MOTORS**

**6. REAR WHEELS**

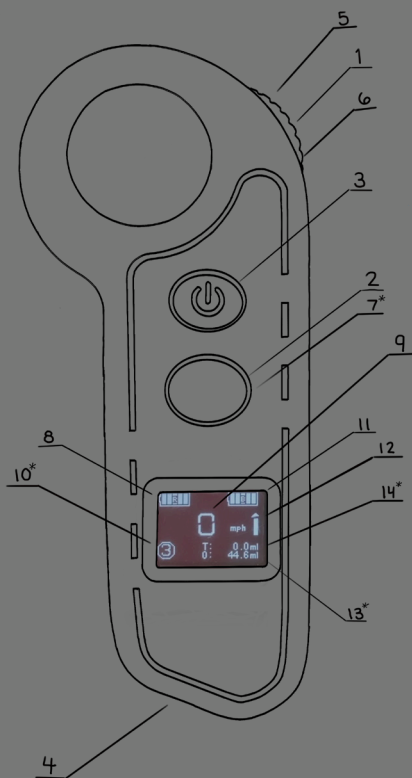






# PHANTOM REMOTE & CONNECTION

1. Throttle
2. Speed Mode
3. Power Button
4. Charging Port
5. Accelerate
6. Brake
7. Forward/Reverse
8. Remote Battery
9. Current Speed
10. Speed Mode Display
11. PHANTOM Battery
12. Forward/Reverse
13. Odometer
14. Tripmeter



**7\*** Forward/Reverse – Double Tap **2\*** to cycle between Forward and Reverse

**10\*** Speed Mode - 1) Beginner 2) Expert 3) Ludicrous (Single Tap to cycle through Speed Modes)

**13\*** Odometer - shows the total number of MILES throughout the life of the board

**14\*** Tripmeter - resets each time the remote is powered on and off

## POWERING ON THE BOARD

1. Press the silver on/off button located on the underside of the board towards the back left. The button will blink red when it has been turned on.
2. To turn the board off, just press and hold this button again until the light stops blinking.

## POWERING ON THE REMOTE

1. Press and hold the on/off button on the remote for 2-3 seconds. The remote will vibrate once and the LCD screen will display the operation screen.
2. To turn the remote off, press and hold the power button again for 2-3 seconds. The remote will vibrate once and then power off.

## PAIRING/SYNCING

First Power on both the board and the remote. If they are not synced, follow these steps:

1. Make sure both the board and remote have been powered off.
2. On the board, press and hold the power button (3\*) for 6-7 seconds. The red light on the power button will begin flashing rapidly to show it is ready to be paired.
3. Press and hold the power button (3\*) on the remote for 6-7 seconds.
4. The remote will display a message that says: "Remote Pairing" and "Remote Paired"
5. Once paired – The unit system will display KM/H and MPH
  - Use the throttle (1\*) to toggle your selection
  - Press the power button (3\*) to select
6. "Motor type" will display "Hub" and "Belt"
  - Use the throttle (1\*) to toggle to hub and press the power button (3\*) to select
7. "Wheel Diameter" will be displayed next
  - For standard wheels; select 97
  - For Cloud Wheels; select 105

# ***USING THE REMOTE***

## **HOW TO ACCELERATE**

**SLOWLY** push the thumb throttle forward and the board will begin to move. Like a gas pedal in a car, the further the throttle is pushed; the more power will be supplied to the motors and the faster you will accelerate.

**TIP:** Positioning your feet in a wide stance can give you more stability. When accelerating, bending the front knee to appropriately shift your weight forward can help counteract the acceleration forces to keep you balanced.

## **HOW TO BRAKE**

**GENTLY** pull the thumb throttle backwards to begin slowing down. The further backwards the throttle goes, the stronger the braking will be.

**TIP:** When braking, bending the rear knee to appropriately shift your weight backwards can help counteract the deceleration forces to keep you balanced.

## **REVERSE FUNCTION**

This function can only be enabled when the board is at a **COMPLETE STOP**.

While the board is at a standstill, double tap the Speed Mode Button on the remote to go in reverse. Once you have backed up and come to a complete stop. Double tap the Speed Mode Button on the remote to switch back to forward.

## CHANGING SPEEDS - Level 1, 2, & 3

With the board and remote both turned on, your current speed mode setting will be displayed in a circle in the lower left corner of the remote:

### Speed 1: Beginner

Perfect for beginners or first-time riders. The board accelerates slowly with minimal torque and has a slower top speed.

### Speed 2: Expert

Great for cruising on longer rides that have little incline. There is more torque than speed setting 1 so you will accelerate quicker and reach a higher top speed but may have difficulty going up very steep hill.

### Speed 3: Ludicrous

For the Professional. This speed setting offers the most torque and will have you accelerating to top speed quickly. Best for off-roading and hill climbing.

*To adjust the speed, simply click/press the Speed button on the remote. Each time you press it the LCD will display which setting you are in.*

## CRUISE CONTROL

Push the throttle to your desired speed and maintain constant pressure.

While maintaining your desired speed, Press the POWER Button to engage Cruise Control. ( Speed Level will be Highlighted in a White Box )*You can now release the throttle to coast at the speed chosen.*

To Disengage Cruise Control, press any button or Push / Pull on the Throttle

**WARNING:** Cruise Control, if used IMPROPERLY, can lead to Serious Injury or Death. EXERCISE EXTREME CAUTION and AWARENESS when using this feature. ONLY Ride within your limits and comfortability with cruise control.

# ***YOUR FIRST RIDE***

*Find an open and flat area with clean pavement for your first ride.*

Only ride the Phantom at speeds and on inclines that you would be comfortable riding on an unpowered skateboard.

If for any reason the board loses power or responsiveness, *you'll have to rely on traditional skating techniques to safely come to a stop.*

## **RIDING STYLE**

The Best way to find out whether you ride Regular (left foot forward) or Goofy (right foot forward), is just to ride and see what is more comfortable for you. If you are just starting out, we recommend a goofy stance, so you have a better view of vehicular traffic (Right hand drive countries).

The PHANTOM uses powerful motors that can throw you off balance if you are not standing properly, or ready for the acceleration or braking. Follow these tips for a safer ride.

- 1.** Move the throttle in slow increments until you get used to how the PHANTOM performs.
- 2.** Stand wide on the board to help balance your weight as it shifts when you accelerate and brake.
- 3.** Stay in Speed Mode 1 (beginner mode) until you are comfortable riding the PHANTOM.

**REGULAR**

**GOOFY**



*Try both stances to see what feels best. If you're unsure of the stance you prefer, riding goofy allows you to see traffic better.*

## ***MAINTENANCE***

The Phantom is a Direct Drive Electric Skateboard. Over time, with extended use, motors, ESC, and battery may eventually need to be replaced. For full instructions on how to change and replace components, please visit [milesboard.com/phantomtips](https://milesboard.com/phantomtips)

## ***ADJUSTING YOUR RIDE***

The PHANTOM is equipped with the ability to interchange different wheels with a ABEC Hub Core.

- Smallest Wheel Size recommended: 97mm
- Largest Wheel Size recommended: 105mm  
(Adjust the Wheel Size parameters through the pairing process)

**WARNING:** With larger wheels, be mindful that it will increase the chance of Wheel Bite. Be sure to adjust your trucks accordingly so the wheel will not touch the deck even in your tightest of turns.



# **BATTERY SAFETY**

Make sure the Charge Port is dry before you plug in the power cord. Failure to follow these instructions could expose you to electric shock, injury, burns, or cause fire.

- Do not submerge the batteries or platform in water. If you suspect the Batteries or powerbase have been submerged or experienced water intrusion, do not attempt to remove the batteries. Do not plug the Power Cord into the board. Failure to follow these instructions could expose you to electric shock, injury, burns, or cause fire.
- Do not use battery if the battery casing is broken or if the battery leaks any substance or emits smoke or unusual odors. Avoid contact with any substance seeping from the batteries.
- As with all rechargeable batteries, do not charge near flammable material.
- Keep the battery away from all metal objects and store the battery in temperatures between 32-104 degrees Fahrenheit.
- To store your lithium-ion battery for an extended time-period - for example, several weeks or months – first charge it fully, and recharge it at least once every 3 months. Failure to do so may shorten the life of your battery.
- If you use, charge, or store the batteries outside the limits specified, you may void the limited warranty, damage your batteries, and/or experience reduced range and ineffective battery charging.

**NOTE 1:** The range of your PHANTOM is affected by many variables, including:

- Weight inversely correlates with range. Less weight results in better range.
- Smooth, flat terrain provides better range than rough and hilly terrain.
- Operating the board in slower speed settings will increase the range of the battery.
- The ideal temperature for battery usage is 68 degrees Fahrenheit. Keeping the battery as close to this temperature as possible improves range. Colder temperatures will significantly reduce range.
- Properly charged and maintained batteries provide greater range. Old, cold, heavily used, or poorly maintained batteries provide less range.

**NOTE 2:** Lithium-ion batteries are regulated as “Hazardous Materials”. Transporting Lithium battery by air, or other methods, might be prohibited by policies or law. Please contact the designated agents from the carrier company for more details.

# **WARRANTY**

This warranty is not meant to suggest or imply that the products cannot be broken or will last forever. It does mean that the product is covered subject to the terms of this warranty.

## **WARRANTY INFORMATION**

MILES BOARD LLC warrants that this product is warranted to the buyer against manufacturing defects in materials or workmanship for a period of 6 months from the date of purchase. The original receipt of purchase is required to establish proof of purchase and must be provided to MILES BOARD LLC for any claims. MILES BOARD LLC will require customers to complete a mandatory standard procedure for warranty claims that will involve media such as photos and videos to help MILES BOARD LLC establish the fault with the product. Only the individual components themselves are covered by the warranty. The removal, installation, shipping and tuning requirements of the component is borne by the customer making the claim. The costs and inconvenience that result from a loss of use of the product is not covered by the warranty.

The warranty for replacement components will be based on the date of purchase. Under no circumstance will a replacement component have a warranty date that is different than the original date of purchase. If a replacement is necessary due to a defect in materials or workmanship, then MILES BOARD LLC will replace the component during the warranty period once the defective part has been returned.

This warranty is not meant to suggest or imply that the products cannot be broken or will last forever. It does mean that the product is covered subject to the terms of this warranty. MILES BOARD LLC will have no obligation under this limited warranty in the event that the product is damaged or destroyed as a result of any of the following events: component use on a non MILES BOARD LLC product, damage or destruction by abuse, collision, theft, improper maintenance, or mishandling of the product, natural forces such as wind, lightning hail

etc., any willful or negligent act, penetration or opening the product casings in any manner, water damage, fire, use or third party components, wear and tear, user error, or other avoidable causes. Replacement will be honored only by MILES BOARD LLC. This is MILES BOARD LLC's exclusive warranty. No party is granted express or implied authority to change or annul this warranty in any manner. MILES BOARD LLC disclaims any liability for special, incidental, or consequential damages.

The warranty applies only to the original buyer of the product and is not transferable to subsequent owners or any other party. This warranty is void if the product is subjected to abuse, neglect, improper repair, improper maintenance, alteration, modification, an accident, or other abnormal, improper use at the sole discretion of MILES BOARD LLC.

#### WARRANTY EXCLUSIONS

This warranty does not cover:

- Damage or failure from water, abuse, neglect, misuse, or accident.
  - Damage from stunt riding, ramp jumping, acrobatics, competitive events, such as skateboard racing, competitive racing or similar activities, or any activity that is not consistent with the intended use of the product.
  - Damages resulting from improper charging of the battery pack or use of any charger not supplied by MILES BOARD LLC.
  - Installation of any parts, accessories, or electrical components not originally intended for or compatible with the product as sold, or any modification of the frame or any components originally supplied; wheels motors, batteries, or vehicle controllers that have been opened for any purpose whatsoever, other than by MILES BOARD LLC.
  - All warranties are void if the product is used for any purpose other than the reasonable intended use of the product.
- Additionally, this warranty does not cover damage associated with commercial use.
- Aftermarket components or modifications.
  - All implied warranties, including the warranties of merchantability and fitness for a particular purpose, are limited in duration to that of the express warranties stated above.

This board is covered by a six-month manufacturer's warranty that covers any defects in workmanship and material. This does not cover damage caused by abuse, misuse, negligence, or accidents caused by the user. If the product has a manufacturing defect within six months of your purchase date, contact [help@milesboard.com](mailto:help@milesboard.com) to communicate with a specialist and find a solution.

MILES BOARD products are warranted to be free of material defects for a period of six (6) months from the date of shipment. If a product is found to be defective by MILES, in its sole discretion, MILES's only responsibility will be to replace the defective product.

MILES BOARD will not be responsible for any costs, losses or damages incurred because of the loss or use of any of its products, and MILES specifically disclaims all claims for consequential and incidental damages.

*This limited warranty is subject to several important restrictions:*

*This limited warranty only applies to products purchased directly from MILES Board.*

This limited warranty is valid only for the original product purchaser and cannot be transferred to another person upon the sale, lease, or transfer of the product. · This limited warranty does not cover expected wear and tear from product use to include scratches, wear and tear on deck, grip tape, trucks, remote wheels or bearings.

- This limited warranty applies only to defects in the manufacturing of the product and does not cover any damage incurred during use such as water damage or improper care.
- This limited warranty does not cover perishable items such as bushings, wheels, and bearings, or riding in water or shipping damage.
- This limited warranty is waived if you attempt to repair the product using anything other than approved MILES products and services, or if you modify the product with any third-party products.

If, upon its inspection, MILES discovers the product has been modified in any way, this limited warranty is waived. MILES does not warrant the life of the batteries used in its products. Your battery life may vary depending on several factors, including the configuration and usage of the product.

Use MILES products at your own discretion and risk. MILES will not be held responsible for any and all loss, liability or damages resulting from your use of our products, loss or damage of the product, property damage, loss of life or personal injury.

MILES does not guarantee any specific level of performance or battery life associated with the use of its products or any feature of them.

***ALL WARRANTIES IMPLIED BY STATE LAW, INCLUDING THE IMPLIED WARRANTIES OF MERCHANTABILITY AND FITNESS FOR A PARTICULAR PURPOSE, ARE HEREBY LIMITED TO THE DURATION OF THE LIMITED WARRANTY. SOME STATES DO NOT ALLOW LIMITATIONS ON HOW LONG AN IMPLIED WARRANTY LASTS, SO THE ABOVE LIMITATION MAY NOT APPLY TO YOU. WITH THE EXCEPTION OF ANY WARRANTIES IMPLIED BY STATE LAW AS HEREBY LIMITED, THE FOREGOING LIMITED WARRANTY IS EXCLUSIVE AND IN LIEU OF ALL OTHER WARRANTIES, GUARANTEES, AGREEMENTS AND SIMILAR OBLIGATIONS OF MANUFACTURER OR SELLER.***



FOR CUSTOMER SUPPORT VISIT:  
*[MILESBOARD.ZENDESK.COM](https://milesboard.zendesk.com)*

