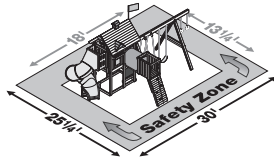




# ALLPRO

## Safety Guide & Assembly Instructions



Featured Components (purchase separately):



PS 8876



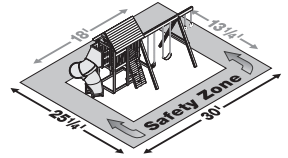
PS 7958



PS 7980



PS 8821



Featured Components (purchase separately):



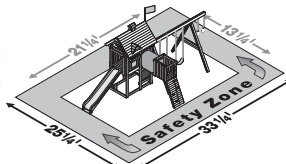
PS 7676



PS 7946



PS 8821



Featured Components (purchase separately):



PS 7676



PS 7980



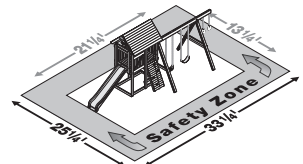
PS 7946



PS 8876



PS 8813



Featured Components (purchase separately):



PS 7676



PS 7946



PS 8813

**We're Here To Help!**

Call Toll Free **1-888-752-9782**  
Customer Service: Monday - Friday, 8:00 A.M. to 5:00 P.M. C.S.T.

**PS 7483**

# SAFETY

- This product is intended for single-family residential use only, by children ages two to ten and a maximum weight of 105 pounds. Any recommendation over 10 years of age or 105 pounds exceeds the upper limits specified in the American Society for Testing and Materials (ASTM) Home Playground Safety Standard. In order for PlayStar to comply with the ASTM Standard, we cannot recommend anyone above these limits.
- It is a misuse of this product when installed or used in places of public assembly such as schools or parks.
- Follow the instructions provided, do not alter its design in any way.
- Construction requires at least two adults capable of heavy lifting.
- Thoroughly read all safety instructions before beginning.
- Children must remain clear of construction site until this product is properly installed and ready for use.
- Save these instructions in the event the manufacturer has to be contacted.

*The Consumer Product Safety Commission provides the following consumer information for your Home Playground Equipment*

## Select Protective Surfacing

One of the most important things you can do to reduce the likelihood of serious head injuries is to install shock-absorbing protective surfacing under and around your play equipment. The protective surfacing should be applied to a depth that is suitable for the equipment height in accordance with ASTM F1292. There are different types of surfacing to choose from; whichever product you select, follow these guidelines:

*NOTE: Do not install home playground equipment over concrete, asphalt, packed earth, grass, carpet or any other hard surface. A fall onto a hard surface can result in serious injury or death to the equipment user. Grass and dirt are not considered protective surfacing because wear and environmental factors can reduce their shock absorbing effectiveness. Carpeting and thin mats are generally not adequate protective surfacing. Ground level equipment -- such as a sandbox, activity wall, playhouse or other equipment that has no elevated play surface -- does not need any protective surfacing.*

## Loose-Fill Materials

PlayStar Playsets require fall-height protection from eight feet.

- Maintain a minimum depth of 9 inches of loose-fill materials such as wood mulch / chips, engineered wood fiber (EWF), or shredded/recycled rubber mulch for

equipment up to 8 feet high. NOTE: An initial fill level of 12 inches will compress to about a 9-inch depth of surfacing over time. The surfacing will also compact, displace, and settle, and should be periodically refilled to maintain at least a 9-inch depth.

- Use containment, such as digging out around the perimeter and/or lining the perimeter with landscape edging. Don't forget to account for water drainage.
- Check and maintain the depth of the loose-fill surfacing material. To maintain the right amount of loose-fill materials, mark the correct level on play equipment support posts. That way you can easily see when to replenish and/or redistribute the surfacing.
- **Do not** install loose fill surfacing over hard surfaces such as concrete or asphalt.

## Poured-In-Place Surfaces or Pre-Manufactured Rubber Tiles

You may be interested in using surfacing other than loose-fill materials -- like rubber tiles or poured-in-place surfaces.

- Installations of these surfaces generally require a professional and are not "do-it-yourself" projects.
- Review surface specifications before purchasing this type of surfacing. Ask the installer/manufacturer for a report showing that the product has been tested to the following safety standard: ASTM F1292 *Standard Specification for Impact Attenuation of Surfacing Materials within the Use Zone of Playground Equipment*. This report should show the specific height for which the surface is intended to protect against serious head injury.

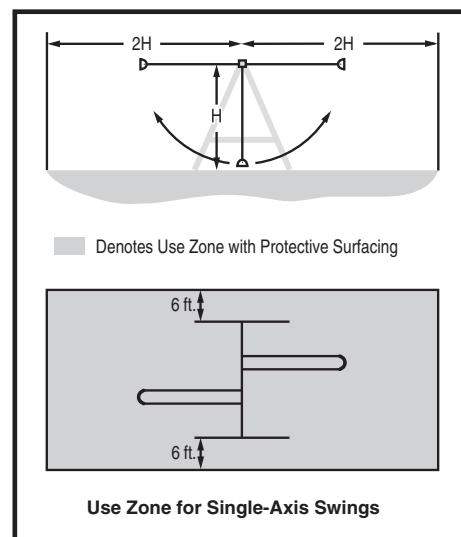
This height should be equal to or greater than the *fall height* - vertical distance between a designated play surface (*elevated surface for standing, sitting, or climbing*) and the protective surfacing below - of your play equipment.

- Check the protective surfacing frequently for wear.

## Placement

Proper placement and maintenance of protective surfacing is essential. Be sure to;

- Extend surfacing at least 6 feet from the equipment in all directions.
- For to-fro swings, extend protective surfacing in front of and behind the swing to a distance equal to twice the height of the top bar from which the swing is suspended.



# SAFETY

## INSTALLATION:

1. Follow the instructions provided, do not alter its design in any way.
2. Place the equipment on level ground, not less than 6' (1.8m) from any structure or obstruction such as a fence, garage, house, overhanging branches, laundry lines or electrical wires. If the area where you will be installing your playset is not level, you must make it level.
3. Playsets must be anchored to the ground. Follow the anchoring instructions provided with your building kit. If soil conditions permit anchors to be pulled out easily, such as in sandy soil conditions, cementing is required.
4. Tighten all bolts securely to the intended member then cut off all protruding threaded ends of bolts with a hack saw **flush to the end of the nut** and remove sharp edges with a metal file.

**WARNING:** Children must not use the playset until properly installed and proper shock-absorbing surfacing material is in place.

**OPERATION:** *Observing and following statements and warnings reduces the likelihood of serious or fatal injury.*

1. On-site adult supervision is recommended for children of all ages.

2. Only one child, for each single planned seat or single planned activity should be allowed on this set at one time, with a maximum weight of **105 pounds** for each child.

**WARNING:** You must teach children the following:

- A. **Not** to walk close to, in front of, behind, or between moving items.
  - B. **Not** to twist swing chains or ropes or loop them over the top support bar since this may reduce the strength of the chain or rope.
  - C. **Avoid** swinging empty seats.
  - D. **To Sit** in the center of the swings with their full weight on the seats.
  - E. **Not** to use the equipment in a manner other than intended.
  - F. **Not** to get off equipment while it is in motion.
  - G. **Not** to climb when equipment is wet.
  - H. **Not** to attach items to the playground equipment that are not specifically designed for use with the equipment such as, but not limited to, jump ropes, clothesline, pet leashes, cables and chain as they may cause a strangulation hazard.
1. **Remove** bike or other sports helmet before playing on the playground equipment.
  3. Verify that suspended climbing ropes are secured at both ends and that they cannot be looped back on themselves.

4. Dress children appropriately and do not allow them to wear inappropriate items, such as but not limited to, loose fitting clothing, hood and neck draw strings, scarves, cord-connected items, capes, and ponchos. These items can cause death by strangulation. Provide well-fitting and full enclosure footwear. Examples of inappropriate footwear are clogs, flip flops, and sandals.
5. Verify that all suspended swinging components have at least 8" clearance between the lowest point of component and top of shock-absorbing surfacing material.

**WARNING:** Lawn swings are designed for use by children two years of age and older. Use by children under the age of two can result in entrapment between the seat and backrest. **NEVER** place children in a rearward facing position or with legs between the seat and backrest because the child's body may pass through the opening causing entrapment of the child's head.

## DISPOSAL:

When the playset is to be retired from service, disassemble and dispose of in such a way that no unreasonable hazards will exist. Follow your local disposal requirements.

## ANNUAL MAINTENANCE CHECKLIST

(Copy this section as needed and maintain for your records or visit [www.playstarinc.com/maintenance](http://www.playstarinc.com/maintenance))



**At the beginning of play season:** Date: \_\_\_\_\_

- Tighten all hardware.
- Lubricate all metallic moving parts per manufacturer's instructions.
- Check all protective coverings on bolts, pipes, edges, and corners. Replace if they are loose, cracked, or missing.
- Check all moving parts including swing seats, ropes, cables, and chains for wear, rust, or other deterioration. Replace as needed.
- Check metal parts for rust. If found, sand and repaint using a nonlead-based paint meeting the requirements of 16 CFR 1303.
- Check all wood members for deterioration and splinters. Sand down splinters and replace deteriorating wood members.
- Reinstall any plastic parts, such as swing seats or any other items that were removed for the cold season.
- Rake and check depth of loose fill protective surfacing materials to prevent compaction and to maintain appropriate depth. Replace as necessary.

**Twice a month during play season:** Date: \_\_\_\_\_

- Tighten all hardware.
- Check all protective coverings on bolts, pipes, edges, and corners. Replace if they are loose, cracked, or missing.
- Rake and check depth of loose fill protective surfacing materials to prevent compaction and to maintain appropriate depth. Replace as necessary.

**Once a month during play season:** Date: \_\_\_\_\_

- Lubricate all metallic moving parts per manufacturer's instructions.
- Check all moving parts including swing seats, ropes, cables, and chains for wear, rust, or other deterioration. Replace as needed.

**At the end of each play season or when the temperature drops below 0° F:** Date: \_\_\_\_\_

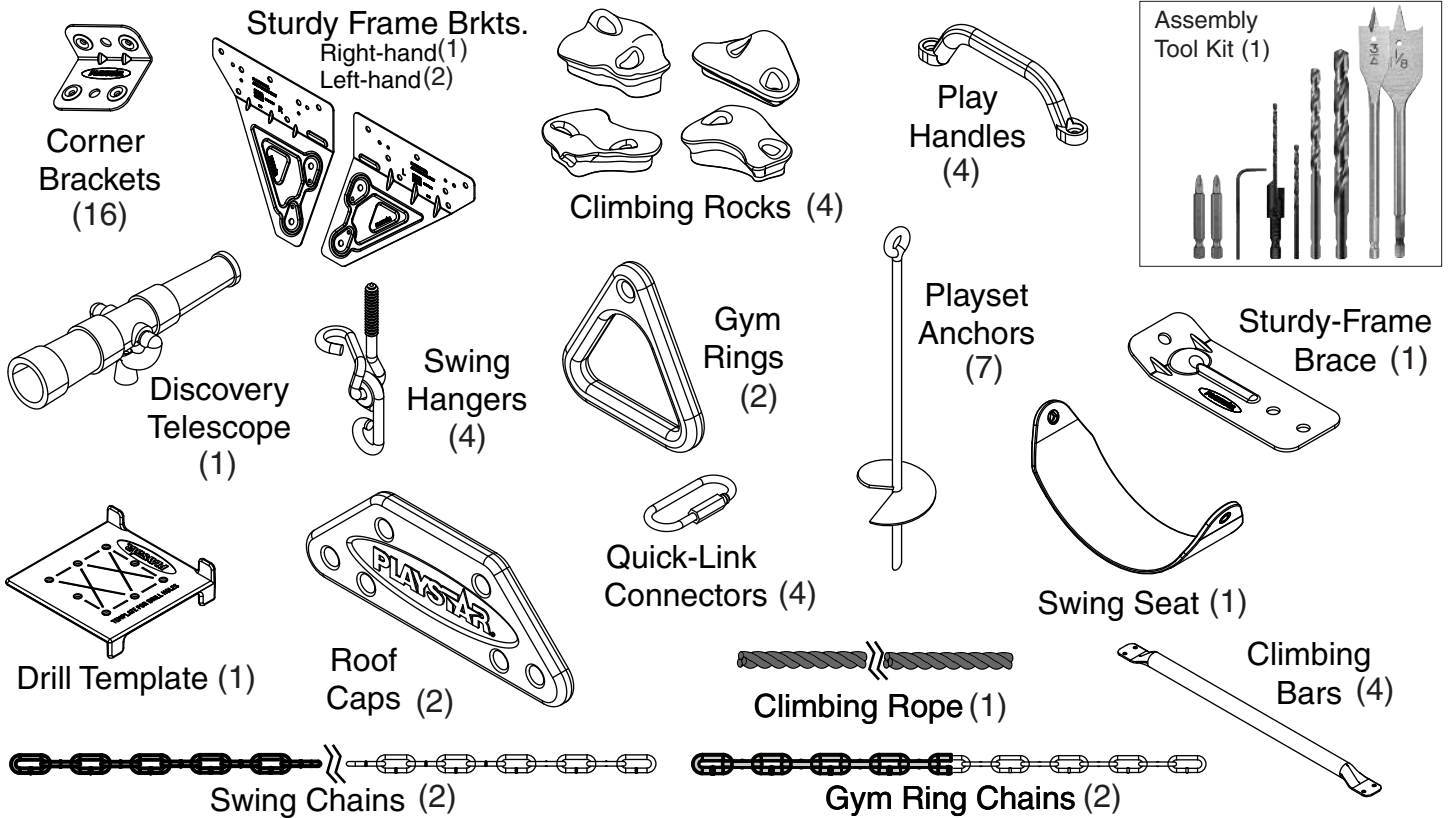
- Remove plastic swing seats and other items as specified by the manufacturer and take indoors or do not use.
- Rake and check depth of loose fill protective surfacing materials to prevent compaction and to maintain appropriate depth. Replace as necessary.

**Owner shall be responsible for maintaining the legibility of any warning labels.**

**If any of these conditions exist, call 1-888-752-9782 for ordering information.**

Clean plastic components with warm water and a mild detergent such as dish soap.

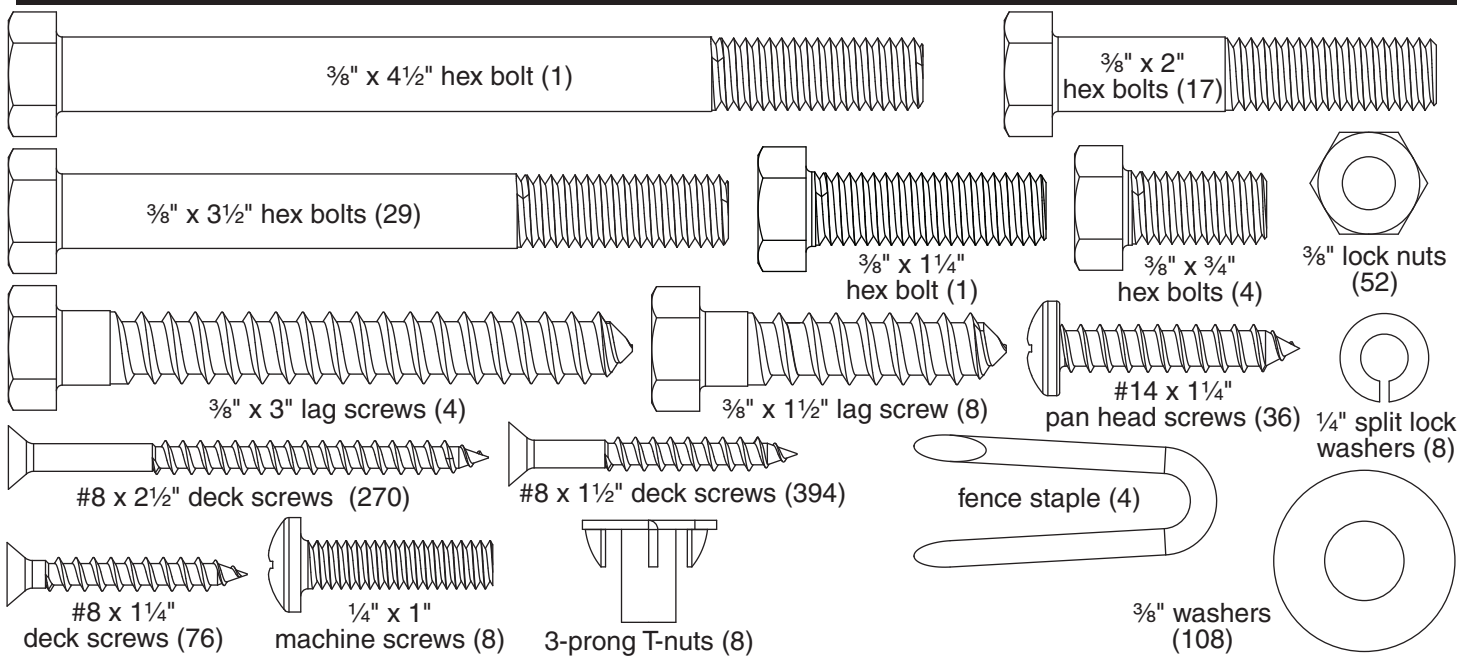
# COMPONENTS INCLUDED (not actual size)



# TOOLS REQUIRED

- |        |                   |                                   |                      |
|--------|-------------------|-----------------------------------|----------------------|
| Level  | Adjustable Wrench | Screwdriver (regular or phillips) | Sawhorses (optional) |
| Square | Socket Wrench     | Tape Measure                      | Shovel               |
| Pencil | 9/16" Socket      | Safety Glasses                    | Ladder               |
| Hammer | Drill             |                                   |                      |

# HARDWARE INCLUDED (shown actual size)

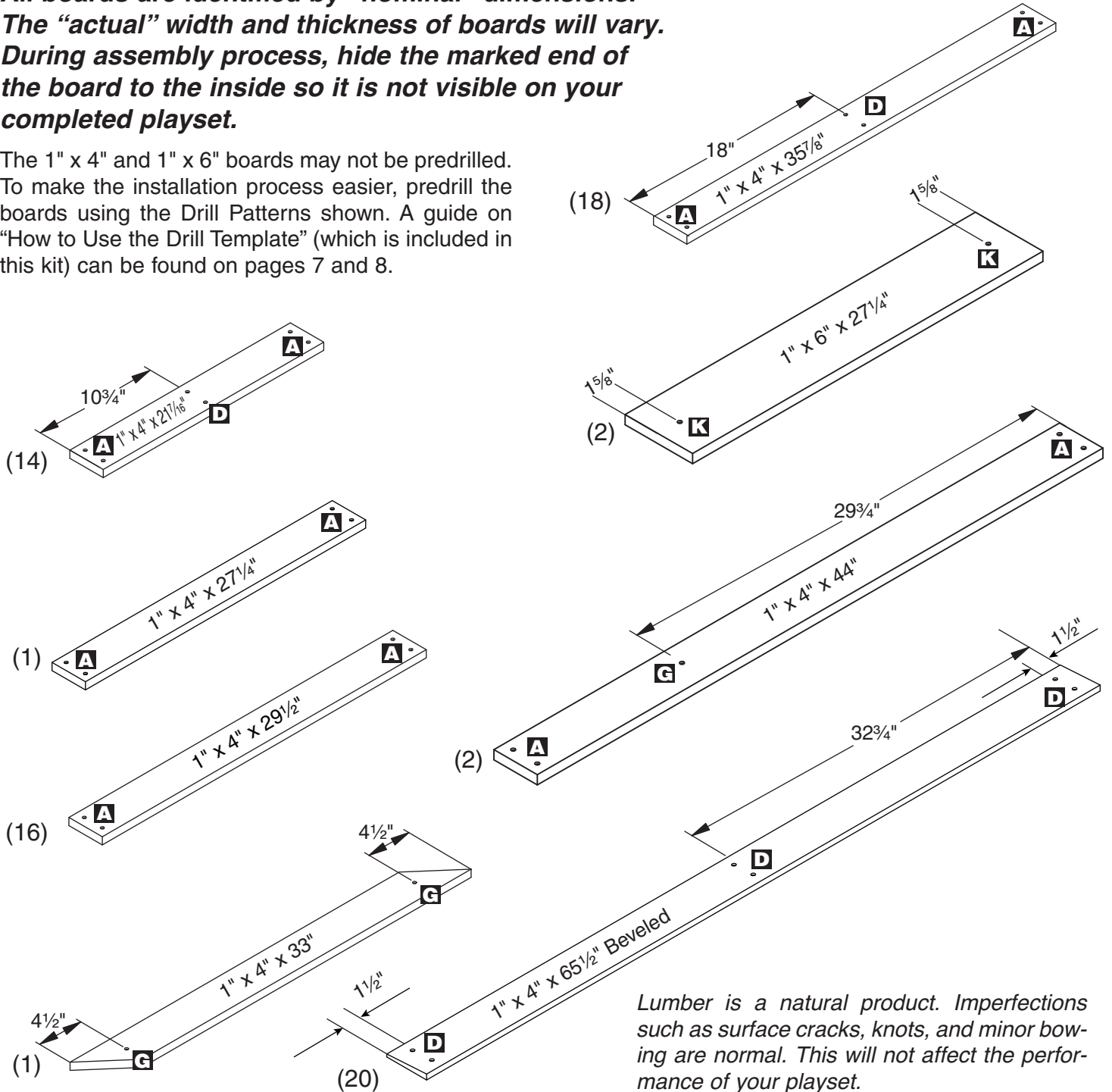


# BOARDS INCLUDED

**Before starting to assemble your playset, make sure all boards and hardware are identified and stacked by size. This will improve your assembly time.**

**All boards are identified by “nominal” dimensions. The “actual” width and thickness of boards will vary. During assembly process, hide the marked end of the board to the inside so it is not visible on your completed playset.**

The 1" x 4" and 1" x 6" boards may not be predrilled. To make the installation process easier, predrill the boards using the Drill Patterns shown. A guide on “How to Use the Drill Template” (which is included in this kit) can be found on pages 7 and 8.

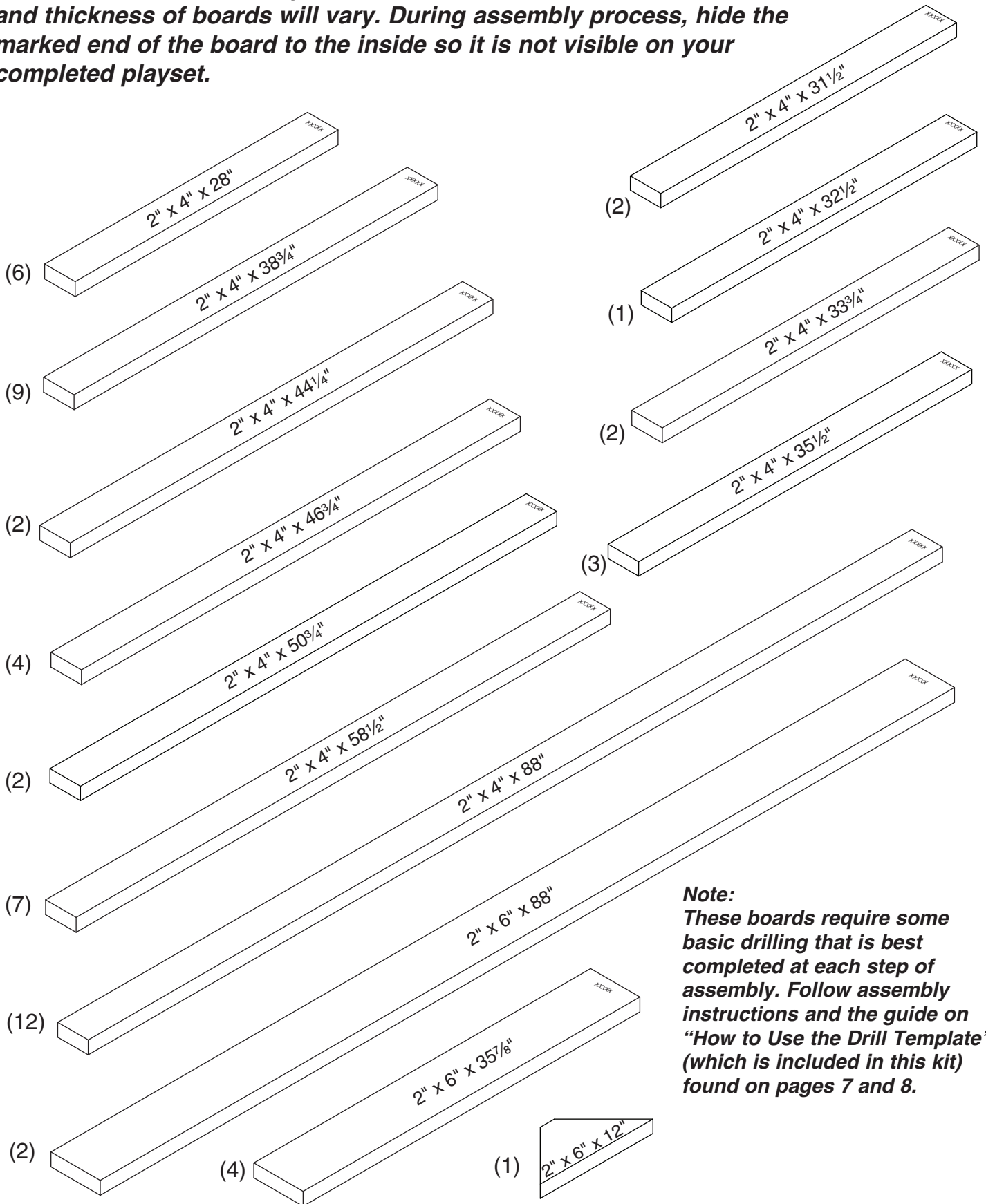


*Lumber is a natural product. Imperfections such as surface cracks, knots, and minor bowing are normal. This will not affect the performance of your playset.*

*Thinner boards have a tendency to bow more than thicker boards. However, all minor bowing can be straightened when attaching the boards during the assembly process.*

# BOARDS INCLUDED

All boards are identified by “nominal” dimensions. The “actual” width and thickness of boards will vary. During assembly process, hide the marked end of the board to the inside so it is not visible on your completed playset.



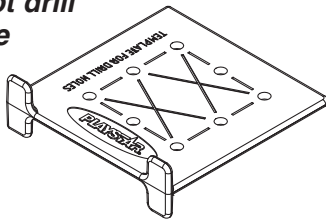
**Note:**  
 These boards require some basic drilling that is best completed at each step of assembly. Follow assembly instructions and the guide on “How to Use the Drill Template” (which is included in this kit) found on pages 7 and 8.

# TEMPLATE and DRILLING INSTRUCTIONS

Your building kit includes a **Drill Template** and an **Assembly Tool Kit** to help you create some of the pilot holes needed to build your playset.

Position the template and mark only the holes that need to be drilled according to the patterns shown below. Remove the template before drilling.

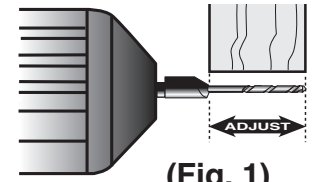
**WARNING: Do not drill holes through the template as you may damage the template.**



Set the drill bit depth in the 1/8" drill bit/countersink tool to the thickness of the board. (Fig. 1)

Drill locations as marked.

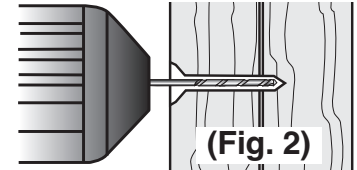
**Warning: Do not countersink deeper than the depth of the screw head.**



(Fig. 1)

In the assembly instructions, you will be asked to attach the countersunk and predrilled boards with #8 x 2 1/2" deck screws.

To make this process easier, use the predrilled boards as templates for drilling pilot holes into the second boards. (Fig. 2)



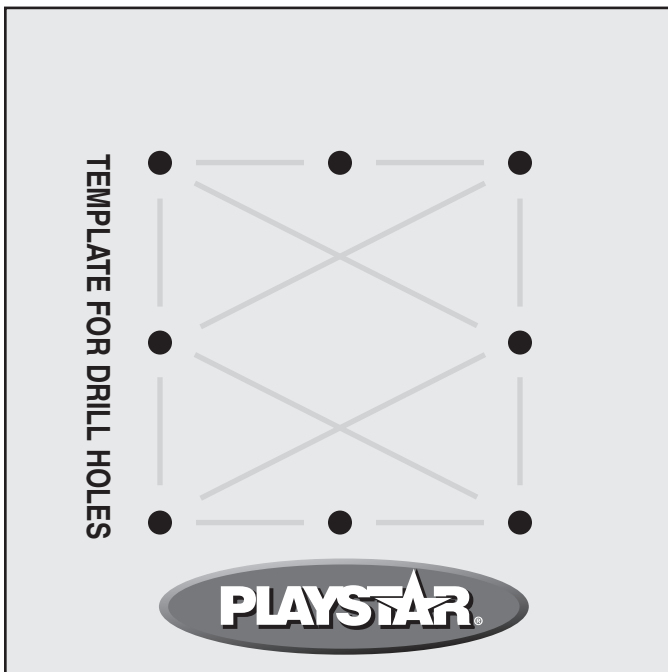
(Fig. 2)

**Note: A second drill will make this process easier by eliminating multiple changes between drill bit and countersink bit.**

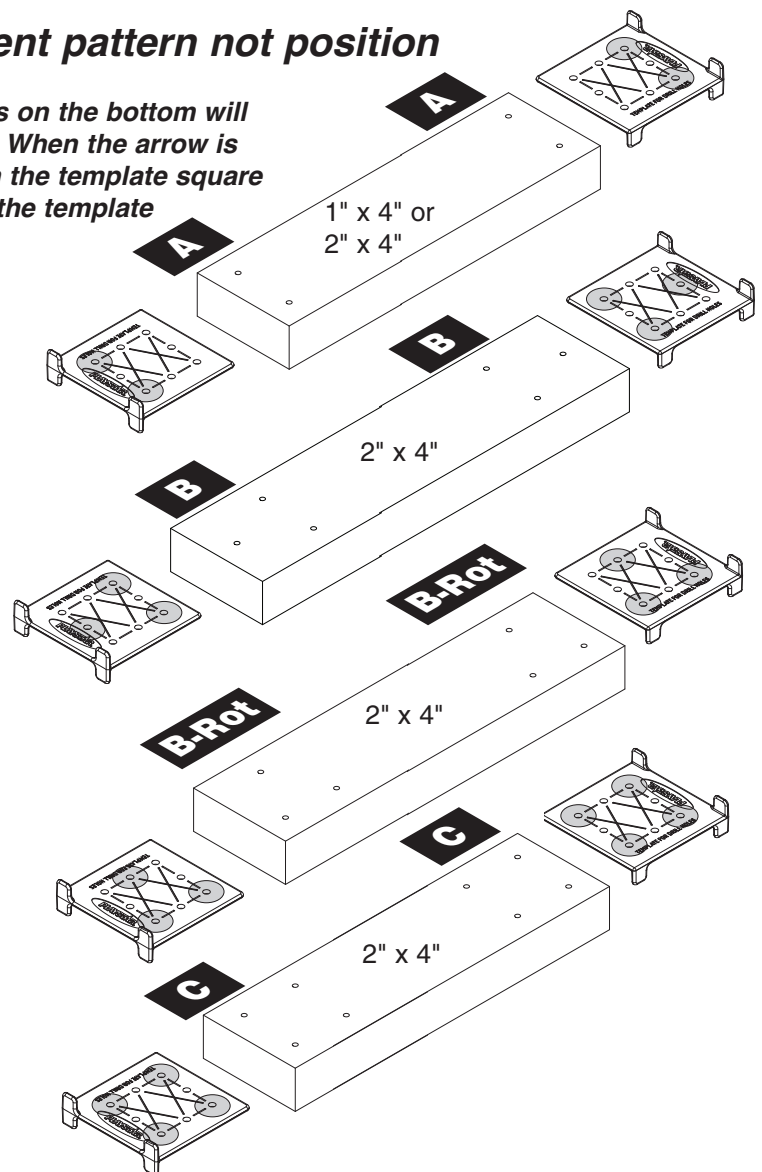
## PLEASE NOTE: Letters represent pattern not position

**Note: When the PlayStar logo is showing, the three tabs on the bottom will position the template square with any two edges. When the arrow is showing, the two tabs on the bottom will position the template square with one edge only, which will allow you to slide the template anywhere along the board.**

The rigid version of the template like the one shown here can be found inside one of the hardware boxes.



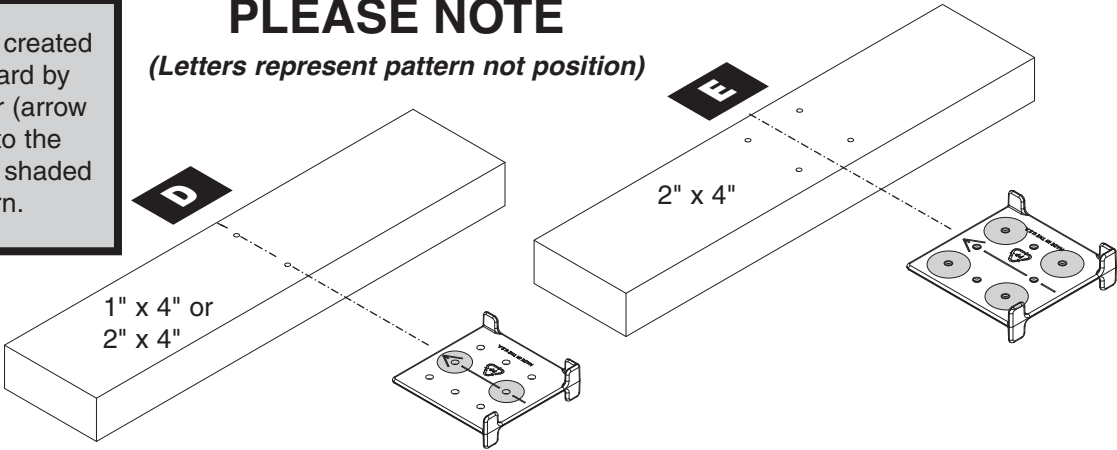
Actual Size Template



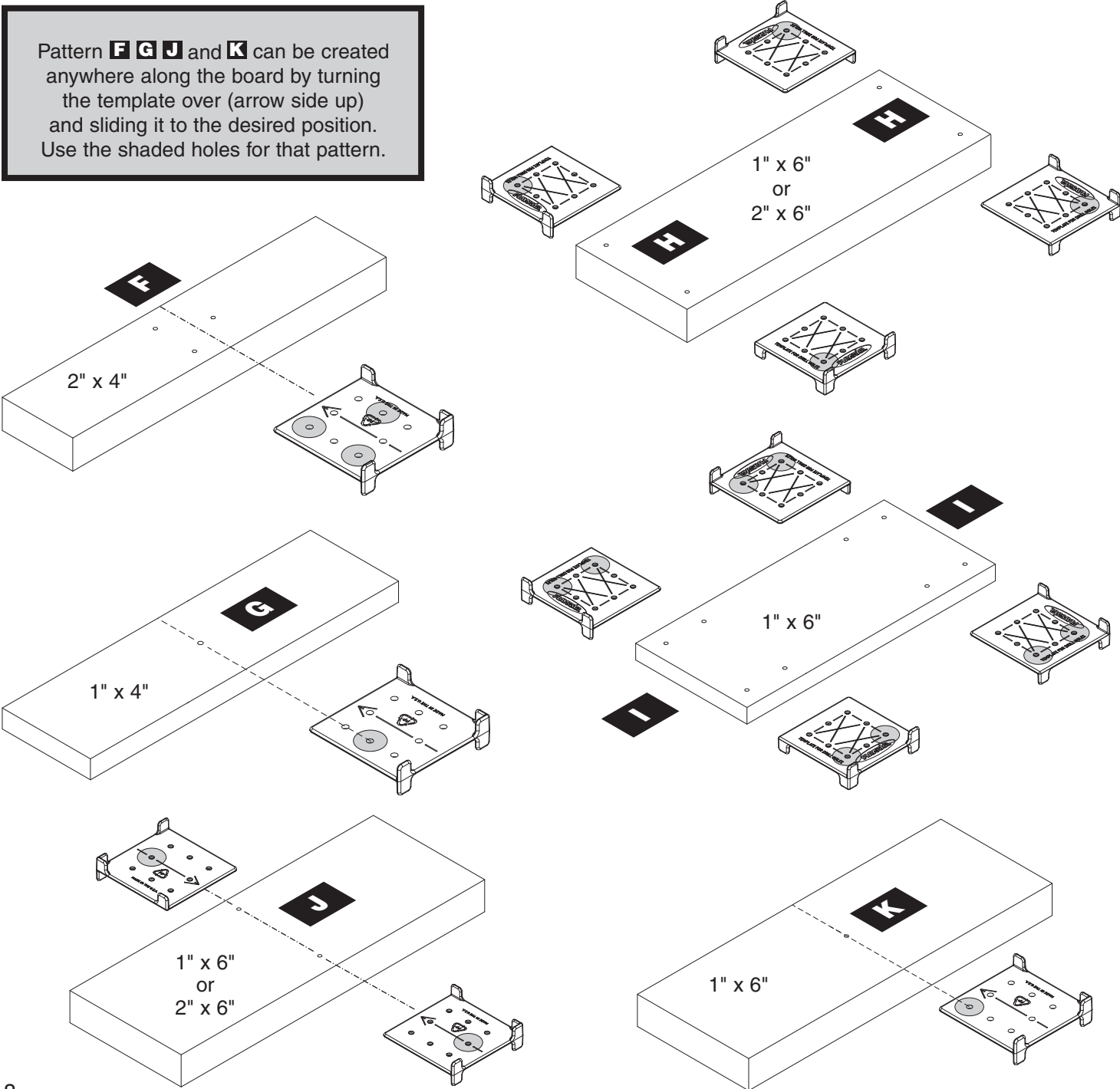
Patterns **D** and **E** can be created anywhere along the board by turning the template over (arrow side up) and sliding it to the desired position. Use the shaded holes for that pattern.

# PLEASE NOTE

*(Letters represent pattern not position)*



Pattern **F G J** and **K** can be created anywhere along the board by turning the template over (arrow side up) and sliding it to the desired position. Use the shaded holes for that pattern.



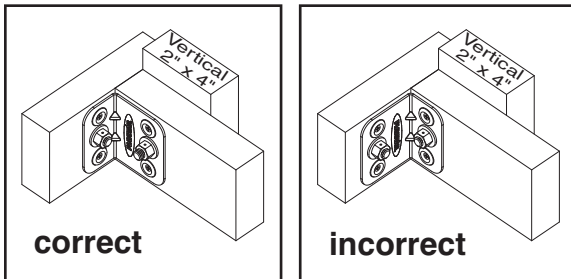


# ATTACHING CORNER BRACKETS

There are several steps in the assembly of your playset when you will be asked to attach “corner brackets”. Please review these diagrams to understand where to place the brackets, how to attach them, and what hardware to use.

## POSITIONING THE BRACKETS:

The “corner bracket” has one long side and one short side. The holes on the long side of the bracket are placed so that when you position the bracket correctly, as directed throughout these instructions, the bolt will be almost centered in the middle of the vertical 2" x 4" when installed. (See diagram)



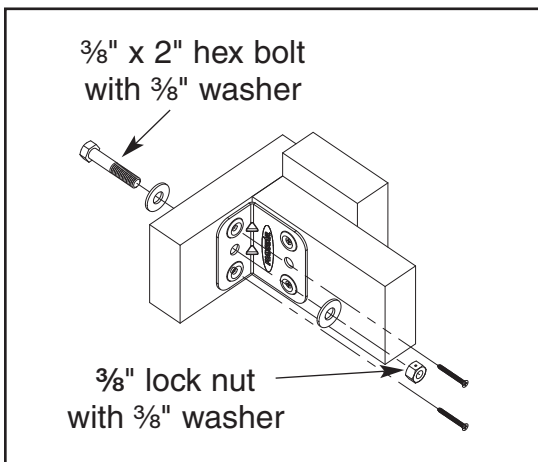
**Caution:** If the bracket was flipped and the short side was against the double board when you drilled, the holes will be too close to the edge of the vertical 2" x 4".

## ATTACHING AND SECURING THE BRACKETS:

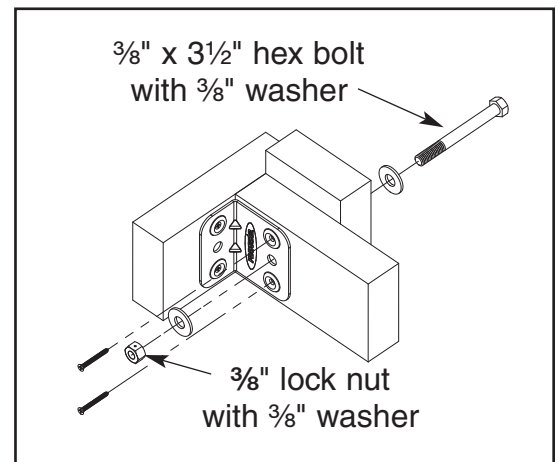
1. Hold bracket in position and use the bracket as a drill guide. Use a  $\frac{1}{8}$ " drill bit and drill through the small holes 1" deep into the boards.
2. Attach the bracket with #8 x  $1\frac{1}{4}$ " deck screws.
3. Again use the bracket as a drill guide. Use a  $\frac{3}{8}$ " drill bit and drill through the large holes completely through the boards.
4. Secure the bracket with  $\frac{3}{8}$ " hex bolts,  $\frac{3}{8}$ " washers, and  $\frac{3}{8}$ " lock nuts as shown.

**Note:** You will use different length bolts to secure the corner brackets.

- If you drilled through one board you will need to use a  $\frac{3}{8}$ " x 2" hex bolt.
- If you drilled through two boards you will need to use a  $\frac{3}{8}$ " x  $3\frac{1}{2}$ " hex bolt



**Securing through one board**  
use  $\frac{3}{8}$ " x 2" hex bolt.



**Securing through two boards**  
use  $\frac{3}{8}$ " x  $3\frac{1}{2}$ " hex bolt.

# TOWER ASSEMBLY

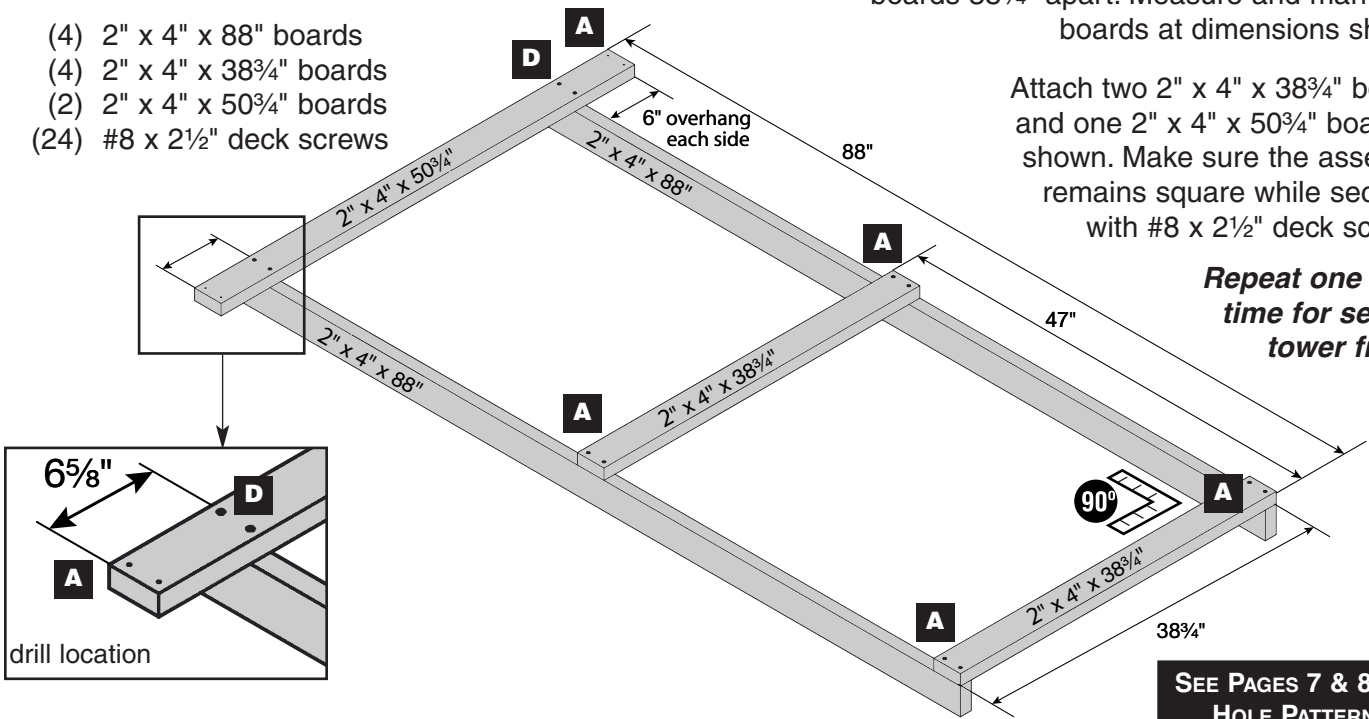
## Items for STEP 1:

- (4) 2" x 4" x 88" boards
- (4) 2" x 4" x 38<sup>3</sup>/<sub>4</sub>" boards
- (2) 2" x 4" x 50<sup>3</sup>/<sub>4</sub>" boards
- (24) #8 x 2<sup>1</sup>/<sub>2</sub>" deck screws

On a flat work surface, lay out two 2" x 4" x 88" boards 38<sup>3</sup>/<sub>4</sub>" apart. Measure and mark both boards at dimensions shown.

Attach two 2" x 4" x 38<sup>3</sup>/<sub>4</sub>" boards and one 2" x 4" x 50<sup>3</sup>/<sub>4</sub>" board as shown. Make sure the assembly remains square while securing with #8 x 2<sup>1</sup>/<sub>2</sub>" deck screws.

**Repeat one more time for second tower frame.**



**SEE PAGES 7 & 8 FOR HOLE PATTERNS**

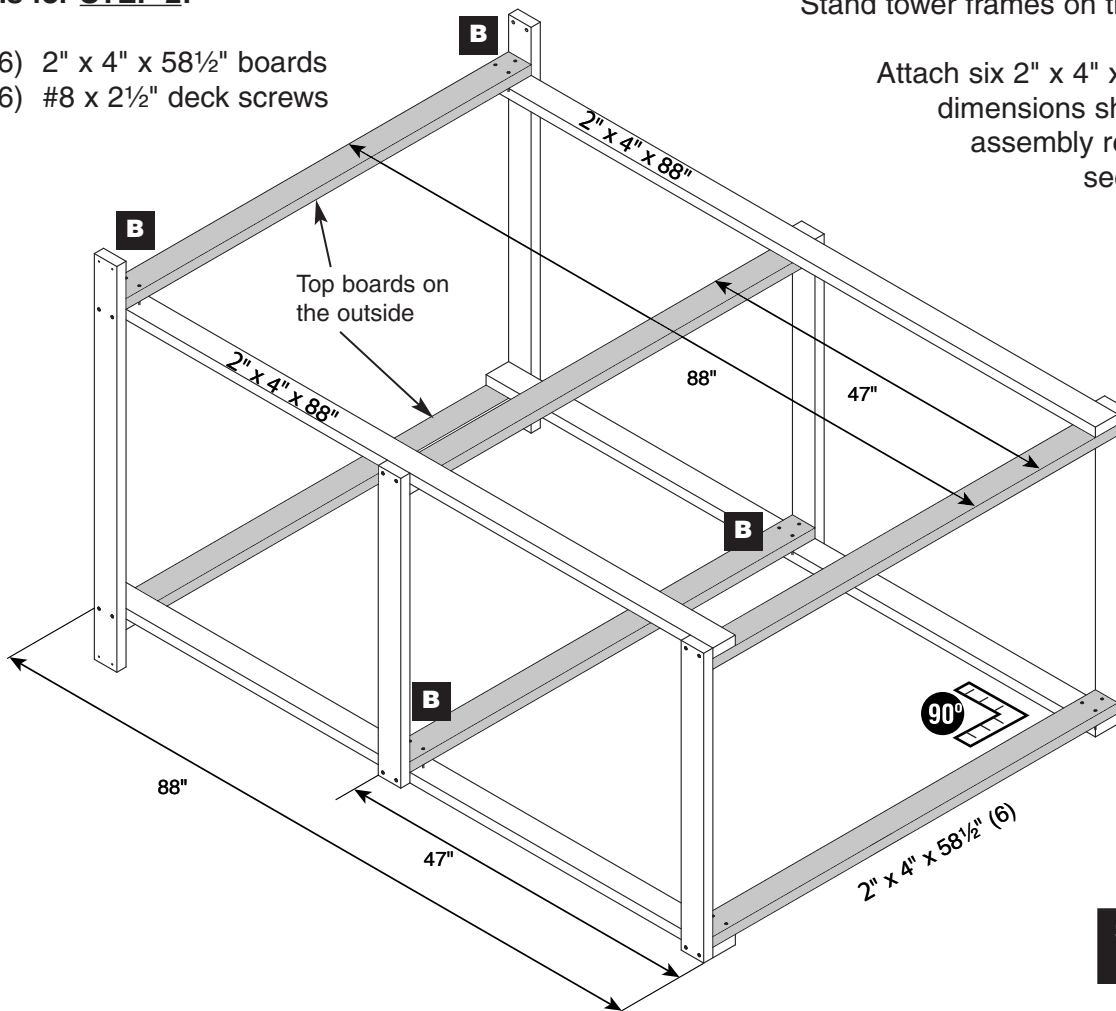
## Items for STEP 2:

- (6) 2" x 4" x 58<sup>1</sup>/<sub>2</sub>" boards
- (36) #8 x 2<sup>1</sup>/<sub>2</sub>" deck screws

Stand tower frames on their sides as shown.

Attach six 2" x 4" x 58<sup>1</sup>/<sub>2</sub>" boards at the dimensions shown. Make sure the assembly remains square while securing with #8 x 2<sup>1</sup>/<sub>2</sub>" deck screws.

**Note: Top boards are attached to the outside of the 2" x 4" x 88" as shown.**



**SEE PAGES 7 & 8 FOR HOLE PATTERNS**

### Items for **STEP 3:**

- (10) Corner Brackets
- (40) #8 x 1 1/4" deck screws
- (10) 3/8" x 3 1/2" hex bolts
- (8) 3/8" x 2" hex bolts
- (2) 3/8" x 1 1/2" lag screw
- (38) 3/8" washers
- (18) 3/8" lock nuts

Lift tower assembly upright and position in desired location.

**Caution:** *Ground must be level. Installation on a hill or incline will create unsafe conditions.*

Position brackets **1** through **10** so that the short sides are against the 2" x 4" x 38 3/4" boards or the 2" x 4" x 50 3/4" for the top.

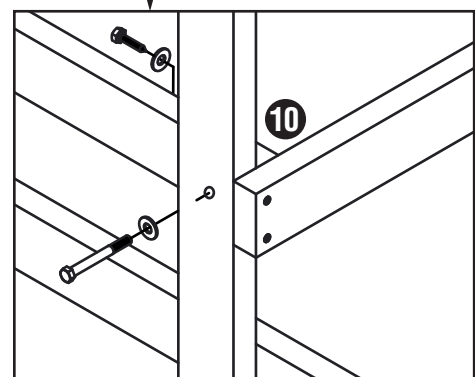
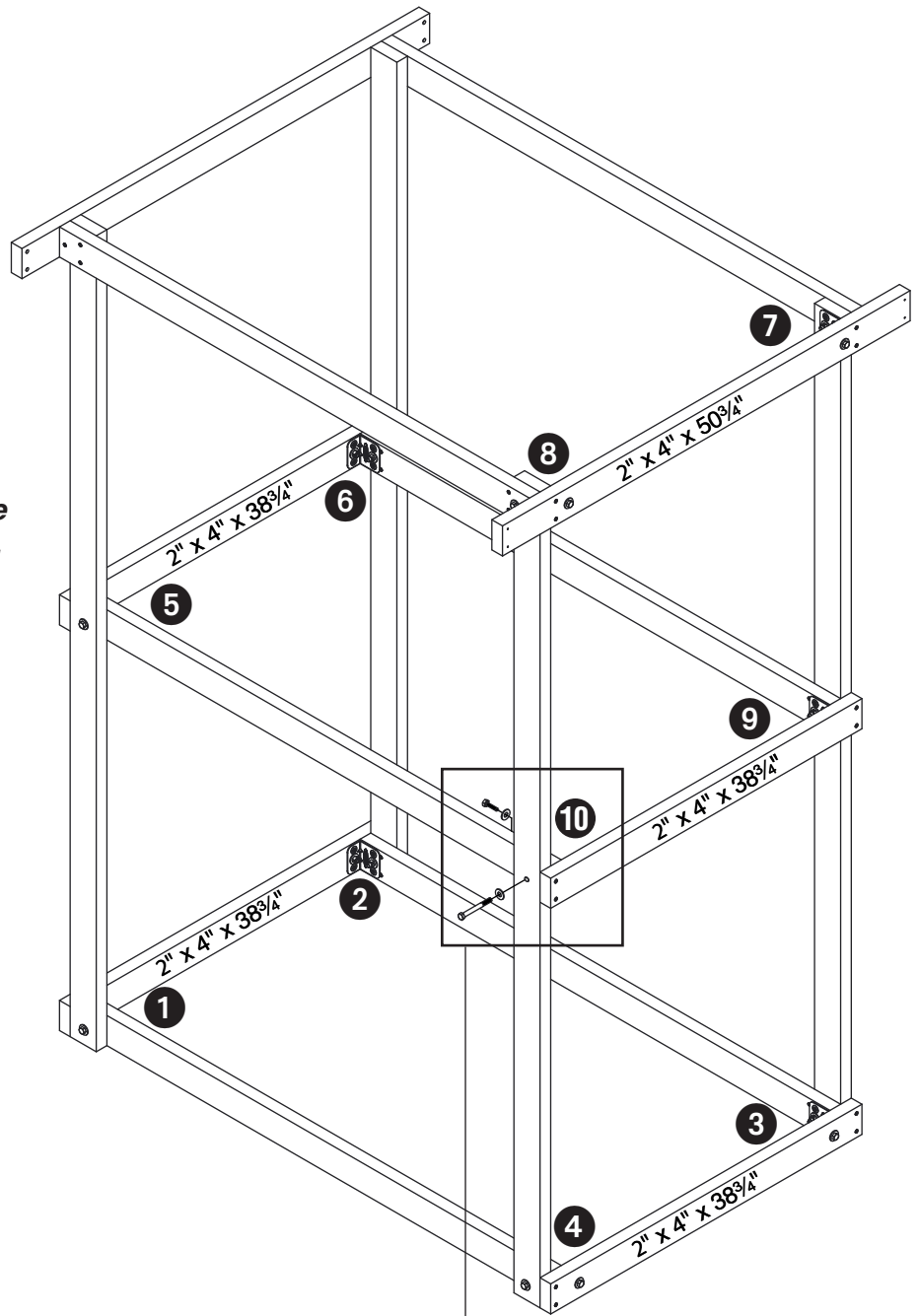
Use the bracket as a drill guide and drill 1/8" holes 1" deep into the boards. Attach with #8 x 1 1/4" deck screws.

#### **Bracket 1 through 8 ONLY:**

Use bracket as a drill guide and drill 3/8" holes completely through the boards. Secure with 3/8" hex bolts (2" through one board and 3 1/2" through two boards), 3/8" washers and 3/8" lock nuts.

#### **Special Instructions for Brackets 9 & 10 ONLY:**

Use bracket as a drill guide and drill one 3/8" hole completely through the board on the **long** side and one 1/4" hole 1" deep into the board on the **short** side. Secure the **long** side with a 3/8" x 3 1/2" hex bolt, 3/8" washers and 3/8" lock nut. Secure the **short** side with a 3/8" x 1 1/2" lag screw and 3/8" washer.



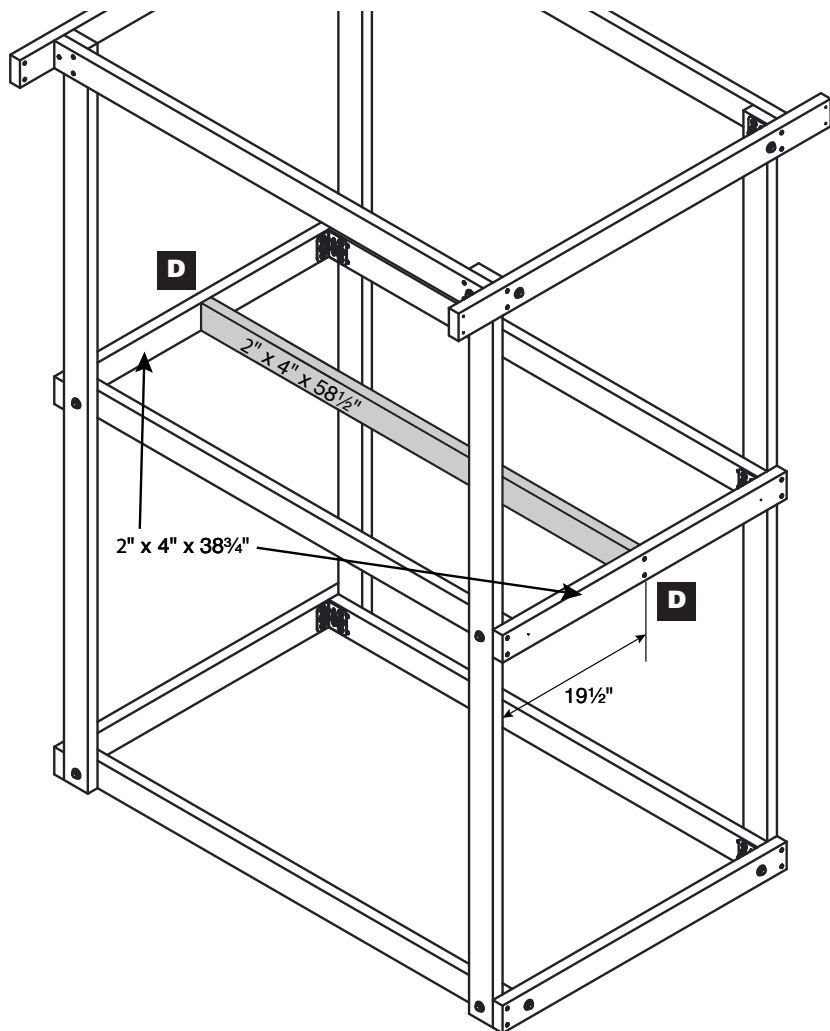
SEE PAGES 9 FOR  
CORNER BRACKETS

#### Items for **STEP 4:**

- (1) 2" x 4" x 58½" board
- (4) #8 x 2½" deck screws

Pre-drill the 2" x 4" x 38¾" boards at the dimension shown.

Center the 2" x 4" x 58½" board behind the holes and flush with the top of the 2" x 4" x 38¾" boards. Secure with #8 x 2½" deck screws.



SEE PAGES 7 & 8 FOR  
HOLE PATTERNS

#### Items for **STEP 5:**

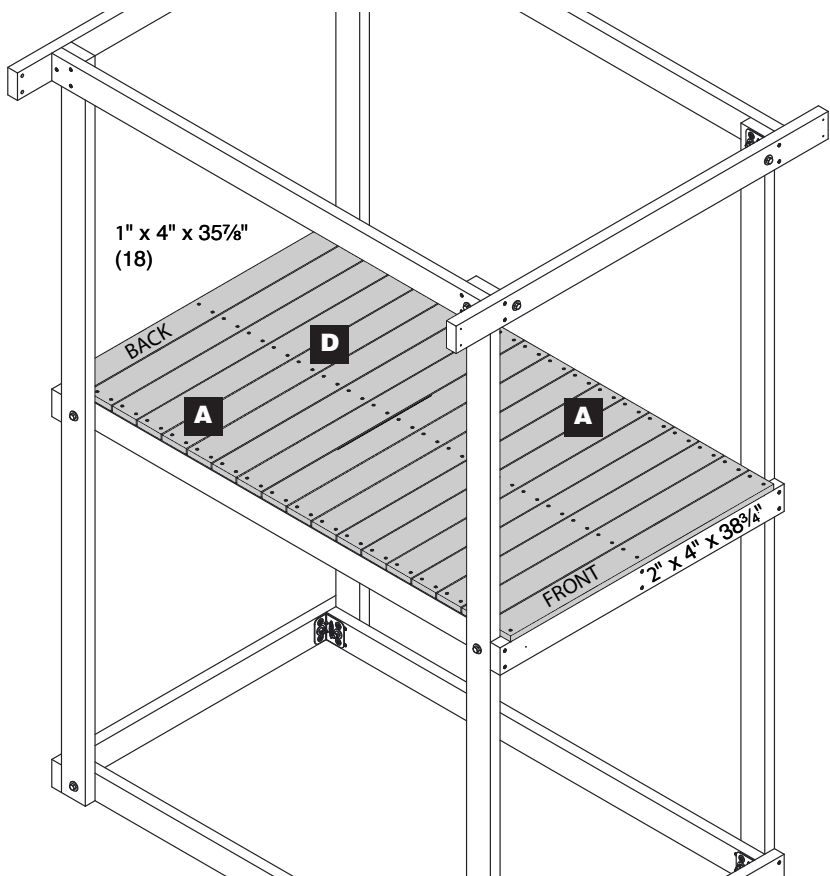
- (18) 1" x 4" x 35⅞" boards
- (108) #8 x 1½" deck screws

Attach eighteen pre-drilled and counter-sank 1" x 4" x 35⅞" boards.

Attach the front and back boards flush with the 2" x 4" x 38¾" boards and equally space the remaining boards. Secure all boards with #8 x 1½" deck screws. Do not over tighten the screws.

**Note:** Gap between boards must be less than ¼" or a finger entrapment could exist.

**Caution:** Failure to pre-drill and counter-sink the boards may result in split lumber.



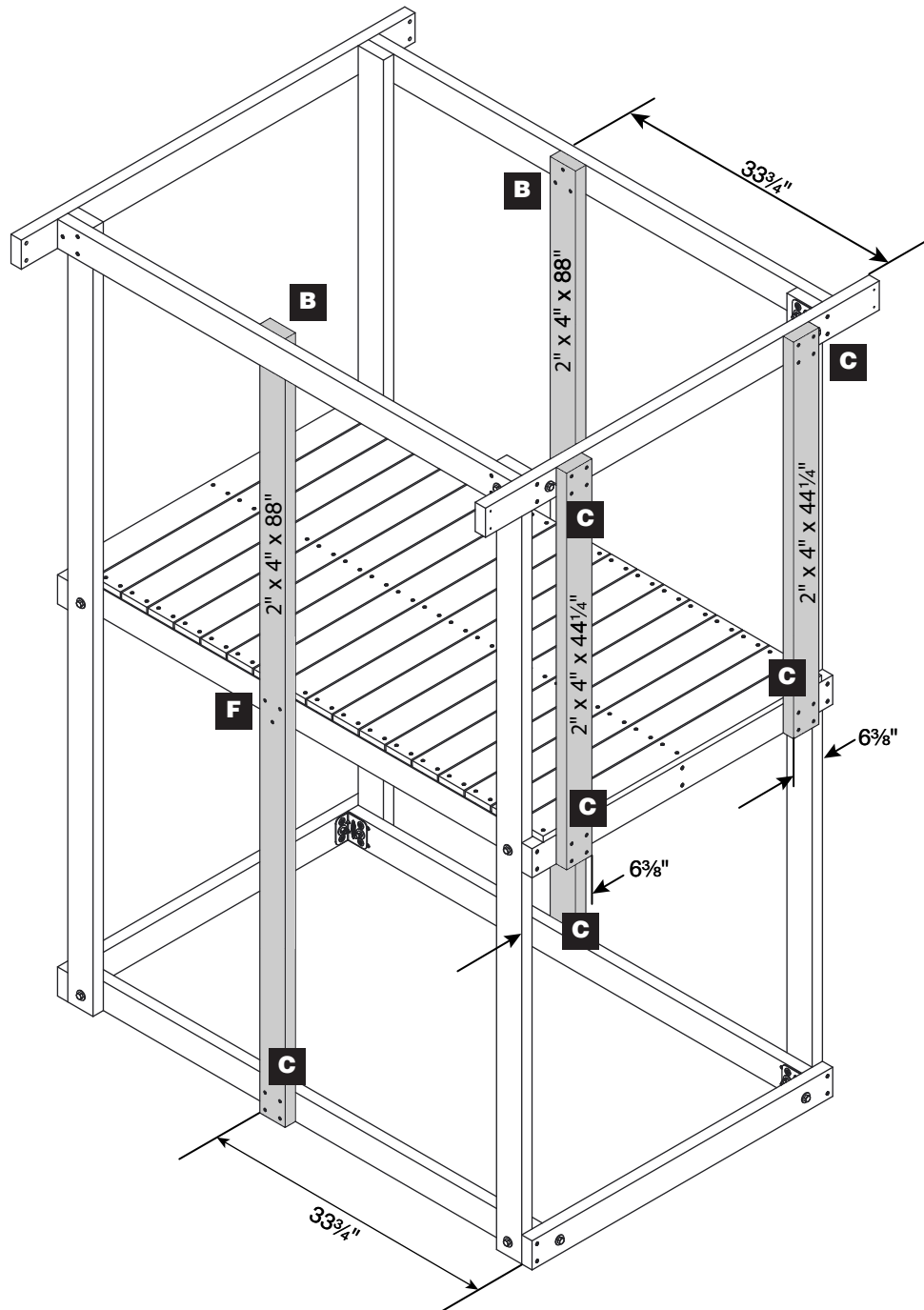
SEE PAGES 7 & 8 FOR  
HOLE PATTERNS

**Items for STEP 6:**

- (2) 2" x 4" x 88" boards
- (2) 2" x 4" x 44½" boards
- (36) #8 x 2½" deck screws

Attach two 2" x 4" x 88" boards at dimensions shown. Secure with #8 x 2½" deck screws.

Attach two 2" x 4" x 44½" boards at dimensions shown. Secure with #8 x 2½" deck screws.



**SEE PAGES 7 & 8 FOR  
HOLE PATTERNS**

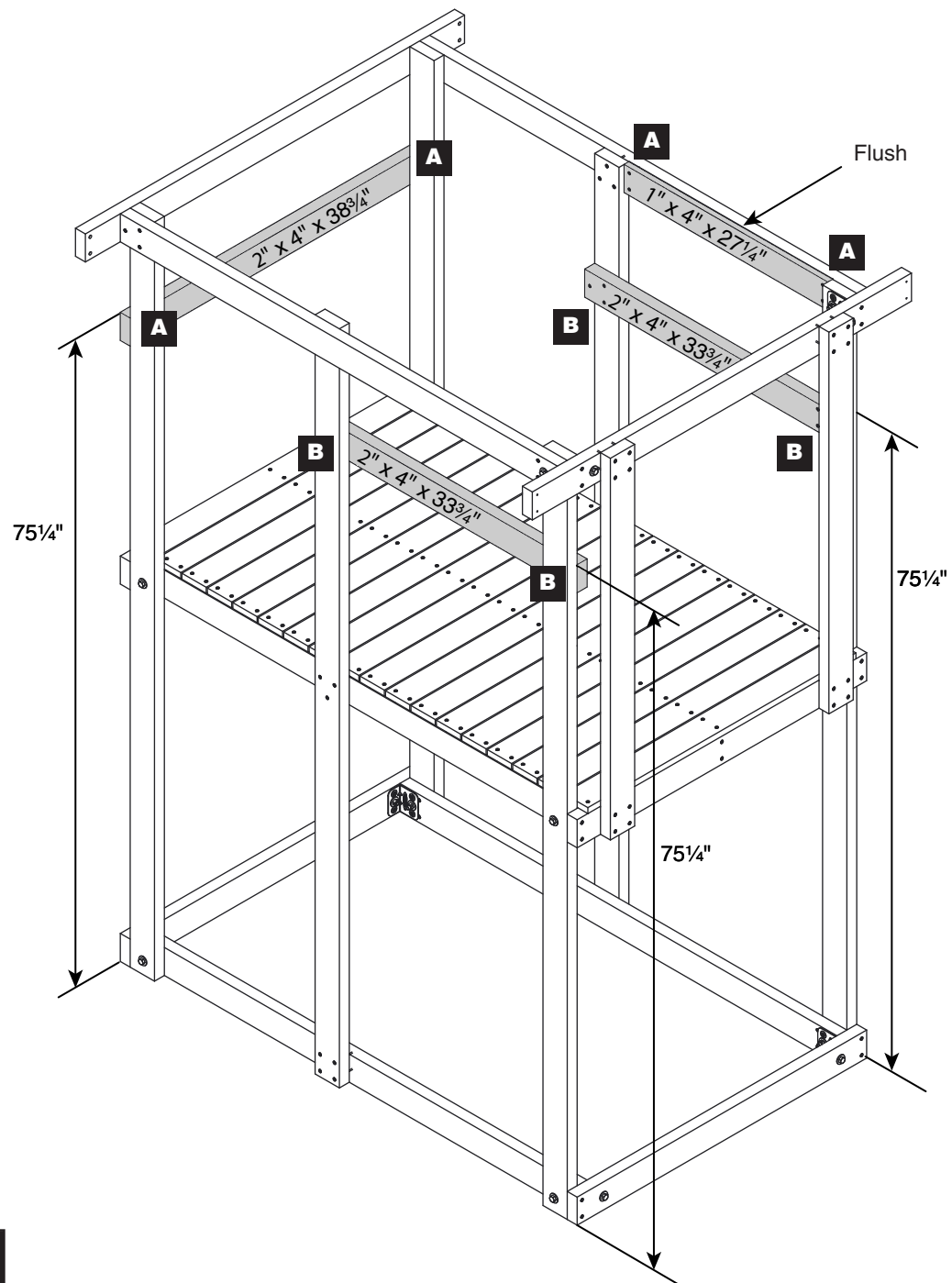
**Items for STEP 7:**

- (2) 2" x 4" x 33<sup>3</sup>/<sub>4</sub>" boards
- (1) 2" x 4" x 38<sup>3</sup>/<sub>4</sub>" board
- (1) 1" x 4" x 27<sup>1</sup>/<sub>4</sub>" board
- (16) #8 x 2<sup>1</sup>/<sub>2</sub>" deck screws
- (4) #8 x 1<sup>1</sup>/<sub>2</sub>" deck screws

Attach two 2" x 4" x 33<sup>3</sup>/<sub>4</sub>" boards at the dimension shown. Secure with #8 x 2<sup>1</sup>/<sub>2</sub>" deck screws.

Attach one 2" x 4" x 38<sup>3</sup>/<sub>4</sub>" board at the dimension shown. Secure with #8 x 2<sup>1</sup>/<sub>2</sub>" deck screws.

Attach one 1" x 4" x 27<sup>1</sup>/<sub>4</sub>" board as shown. Secure with #8 x 1<sup>1</sup>/<sub>2</sub>" deck screws.



**SEE PAGES 7 & 8 FOR  
HOLE PATTERNS**

### Items for **STEP 8:**

- (2) 1" x 4" x 44" boards
- (10) #8 x 1½" deck screws

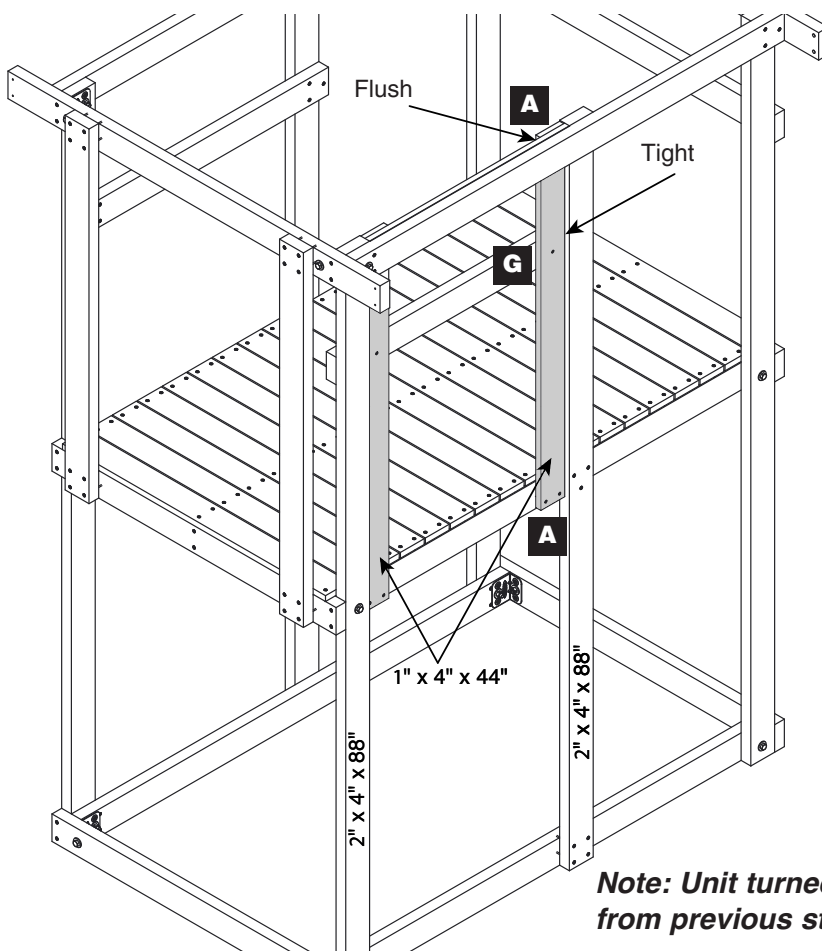
Attach two pre-drilled and counter-sank 1" x 4" x 44" boards tight against the sides of the 2" x 4" x 88" boards and flush with the top of the tower.

**Note:** the top two holes must be secured from the inside of the tower. You will need to countersink from the side you are working.

Secure with #8 x 1½" deck screws  
Do not over tighten the screws.

**Caution:** Failure to pre-drill and counter-sink the boards may result in split lumber.

SEE PAGES 7 & 8 FOR  
HOLE PATTERNS



**Note:** Unit turned 90° from previous step.

### Items for **STEP 9:**

- (6) 1" x 4" x 29½" boards
- (24) #8 x 1½" deck screws

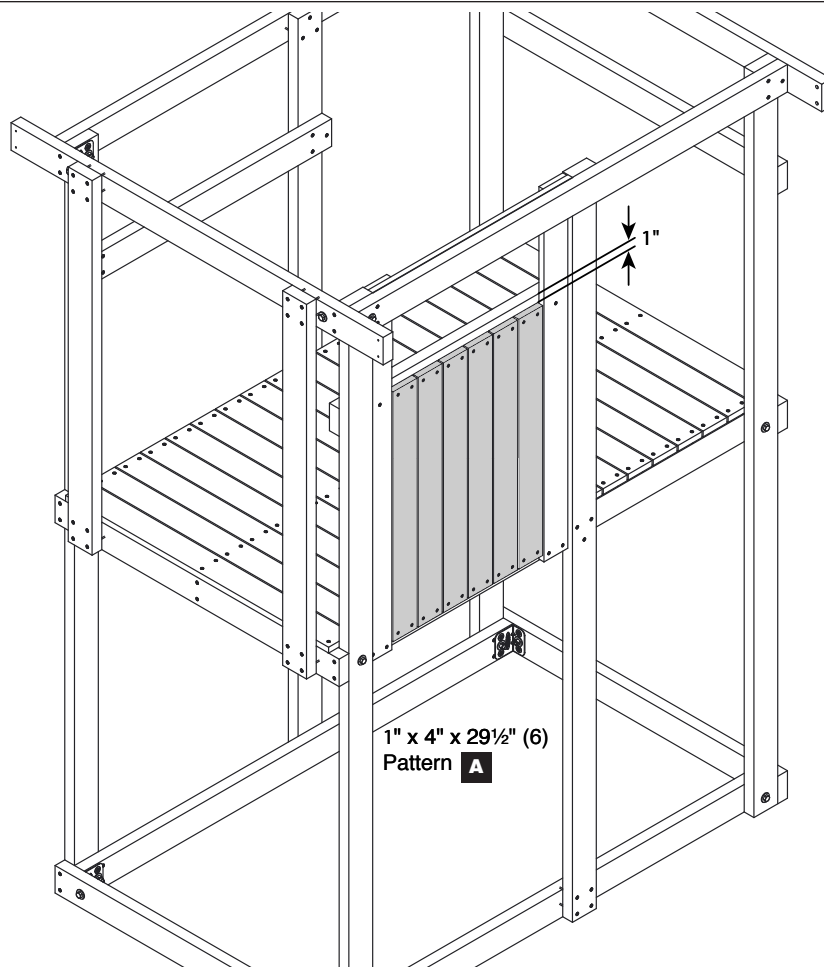
Install six pre-drilled and counter-sank 1" x 4" x 29½" boards 1" below the edge of the window opening as shown. Equally space them between the 1" x 4" x 44" boards you just installed. Secure each board with #8 x 1½" deck screws. Do not over tighten the screws.

**Note:** Gap between boards must be less than ¼" or a finger entrapment could exist.

**Helpful Hint:** The gap between boards should be approximately ⅜".

**Caution:** Failure to pre-drill and counter-sink the boards may result in split lumber.

SEE PAGES 7 & 8 FOR  
HOLE PATTERNS



### Items for **STEP 10:**

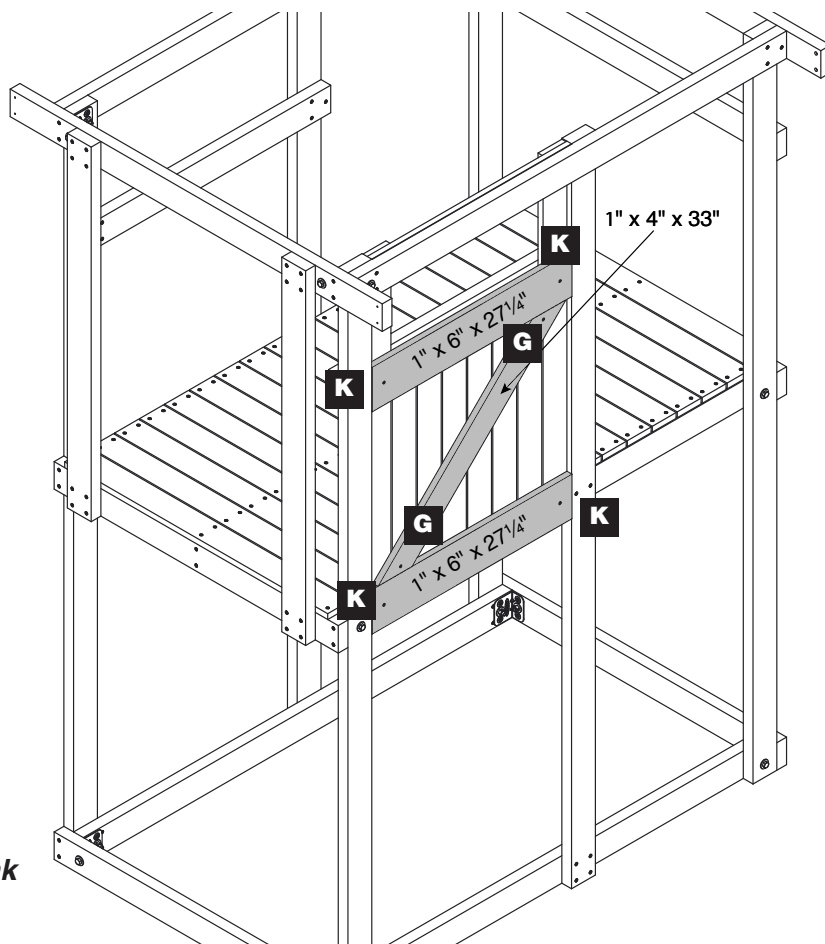
- (2) 1" x 6" x 27¼" boards
- (1) 1" x 4" x 33" board
- (4) #8 x 1½" deck screws
- (2) #8 x 1¼" deck screws

Attach two pre-drilled and counter-sank 1" x 6" x 27¼" boards. Attach the top board flush with the bottom edge of window opening and tight against the sides of the 2" x 4" x 88" boards as shown. Attach the bottom board flush with the bottom edge of the deck and flush with both outside edges as shown. Secure with #8 x 1½" deck screws. Do not overtighten the screws.

Attach one pre-drilled and counter-sank 1" x 4" x 33" board at the angle shown. Secure with #8 x 1¼" deck screws. Do not over tighten the screws.

**Note:** Using screws longer than 1¼" to secure the 1" x 4" x 33" board will create a safety hazard.

**Caution:** Failure to pre-drill and counter-sink the boards may result in split lumber.



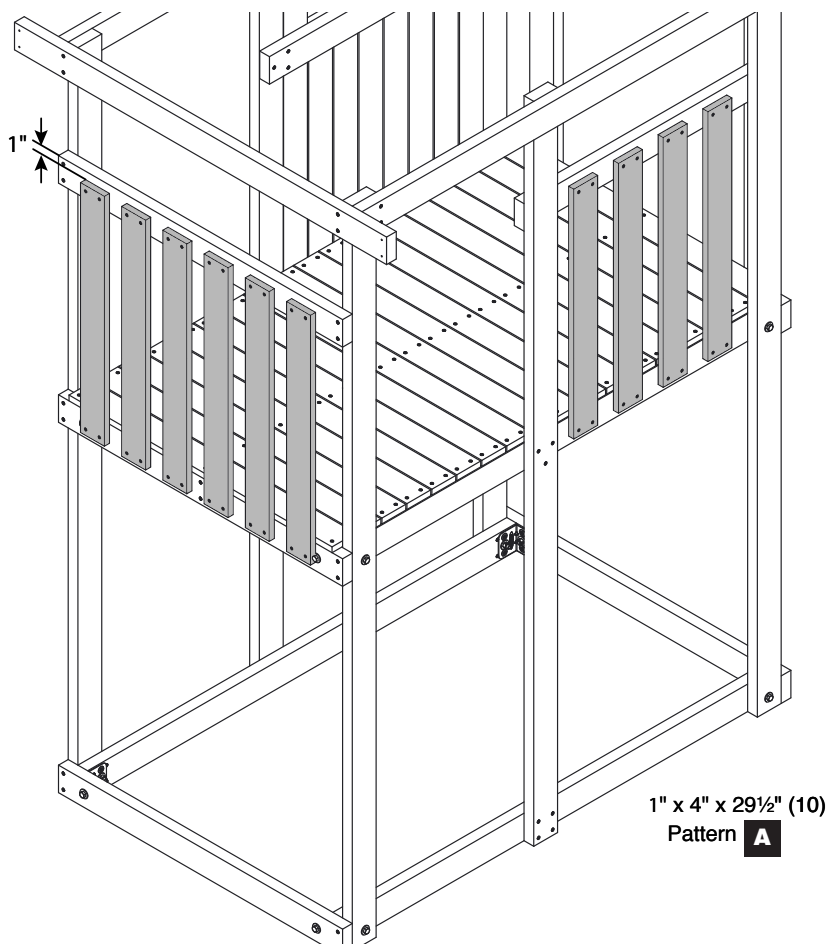
### Items for **STEP 11:**

- (10) 1" x 4" x 29½" boards
- (40) #8 x 1½" deck screws

Attach ten pre-drilled and counter-sank 1" x 4" x 29½" boards on the **outside** of tower at the approximate dimension shown. Equally space boards and secure with #8 x 1½" deck screws. Do not over tighten the screws.

**Note:** Gap between boards must not exceed 3½" or a head entrapment could exist.

**Caution:** Failure to pre-drill and counter-sink the boards may result in split lumber.



1" x 4" x 29½" (10)  
Pattern **A**

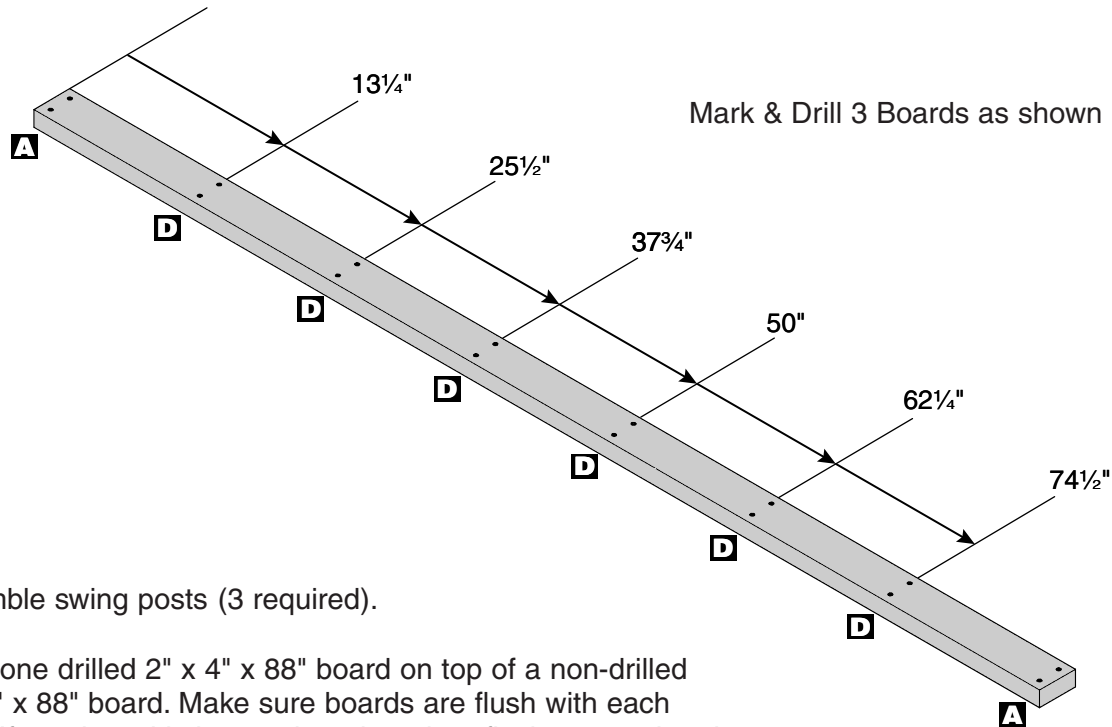
SEE PAGES 7 & 8 FOR HOLE PATTERNS



# SWING BEAM ASSEMBLY

## Items for STEP 12:

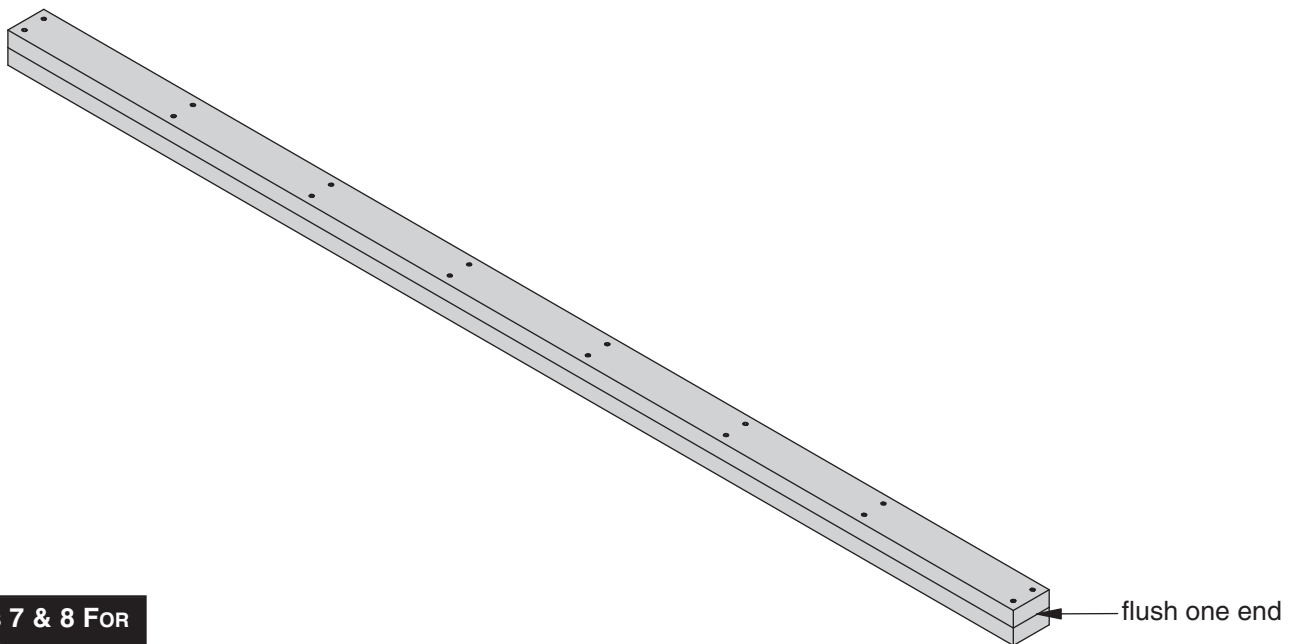
- (6) 2" x 4" x 88" boards
- (48) #8 x 2½" deck screws



Assemble swing posts (3 required).

Place one drilled 2" x 4" x 88" board on top of a non-drilled 2" x 4" x 88" board. Make sure boards are flush with each other. If one board is longer than the other, flush one end and let the other end hang over. Secure with #8 x 2½" deck screws.

**Note:** Repeat two more times for the second and third swing post assemblies.



SEE PAGES 7 & 8 FOR  
HOLE PATTERNS

**Items for STEP 13:**

- (3) Step 12 Assemblies
- (2) Left-hand Sturdy-frame Brackets
- (1) Right-hand Sturdy-frame Bracket
- (6) #8 x 1 1/4" deck screws
- (6) 3/8" x 3 1/2" hex bolts
- (12) 3/8" washers
- (6) 3/8" lock nuts

Attach two left-hand (L) and one right-hand (R) sturdy-frame brackets onto separate swing post assemblies (brackets are stamped R and L).

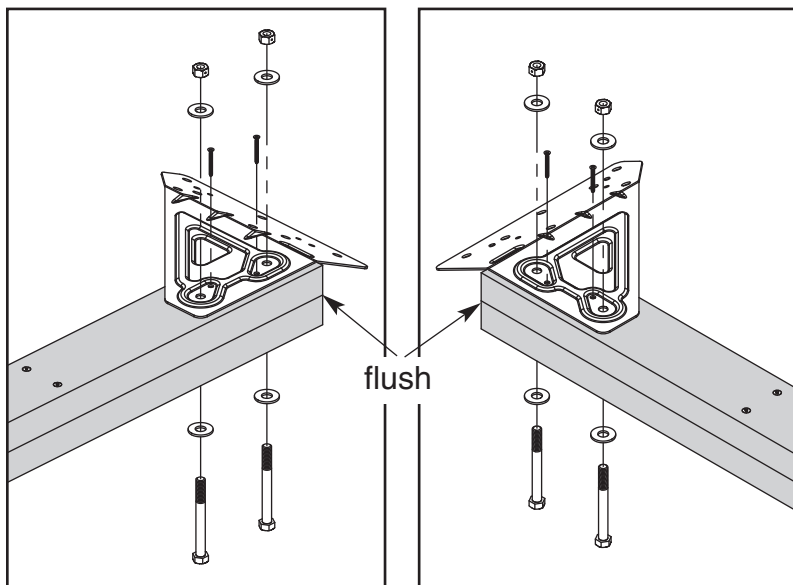
Lay bracket on the flush end of post as shown. Slide bracket over and down until it stops against the top and side of the post as shown. When correctly positioned, the edge of the sturdy-frame bracket will be parallel with the side of the post.

Use the bracket as a drill guide and drill two 1/8" holes 1" deep into the posts. Attach with two #8 x 1 1/4" deck screws.

Again use the bracket as a drill guide and drill two 3/8" holes through the post. Secure bracket with two 3/8" x 3 1/2" hex bolts, 3/8" washers and 3/8" lock nuts.

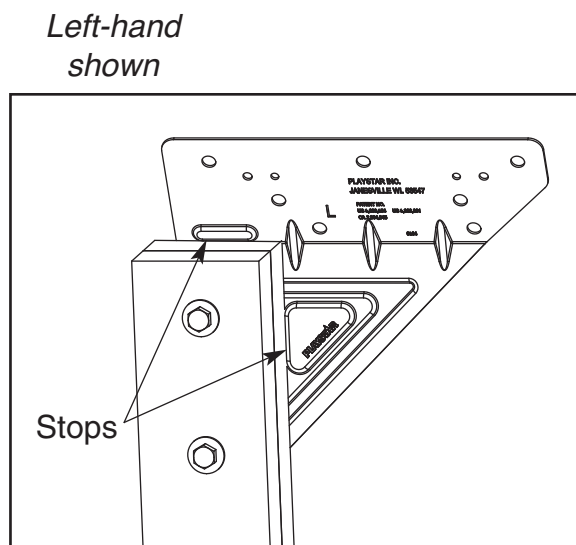
**Repeat for each post.**

**Caution: Make sure bolts are tight and the threads of each bolt are at least flush to the end of the nut to ensure proper engagement.**



**Left-hand**

**Right-hand**



*Left-hand shown*

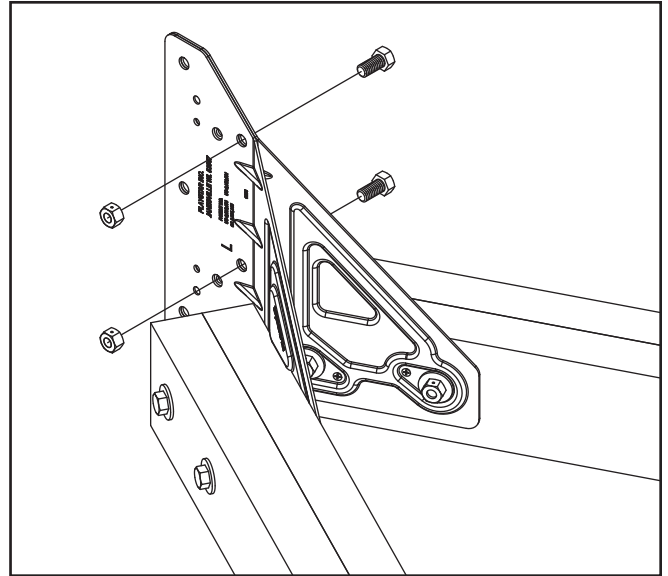
*Rear View of bracket and post assembly showing correct position.*

**Items for STEP 14:**

- (2)  $\frac{3}{8}$ " x  $\frac{3}{4}$ " hex bolts
- (2)  $\frac{3}{8}$ " lock nuts

Mate one right-hand bracket assembly to one left-hand bracket assembly as shown.

Secure with two  $\frac{3}{8}$ " x  $\frac{3}{4}$ " hex bolts and  $\frac{3}{8}$ " lock nuts through the two lower holes of brackets as shown (do not use flat washers).

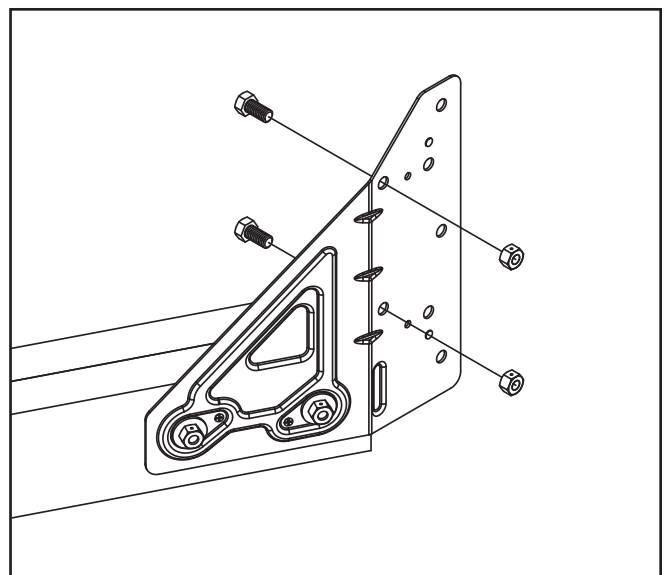


**Items for STEP 15:**

- (2)  $\frac{3}{8}$ " x  $\frac{3}{4}$ " hex bolts
- (2)  $\frac{3}{8}$ " lock nuts

Place two  $\frac{3}{8}$ " x  $\frac{3}{4}$ " hex bolts and  $\frac{3}{8}$ " lock nuts through the two lower holes of bracket on single post as shown (do not use flat washers).

**Note:** *These bolts are necessary to properly align the single post assembly to beam at a later step.*



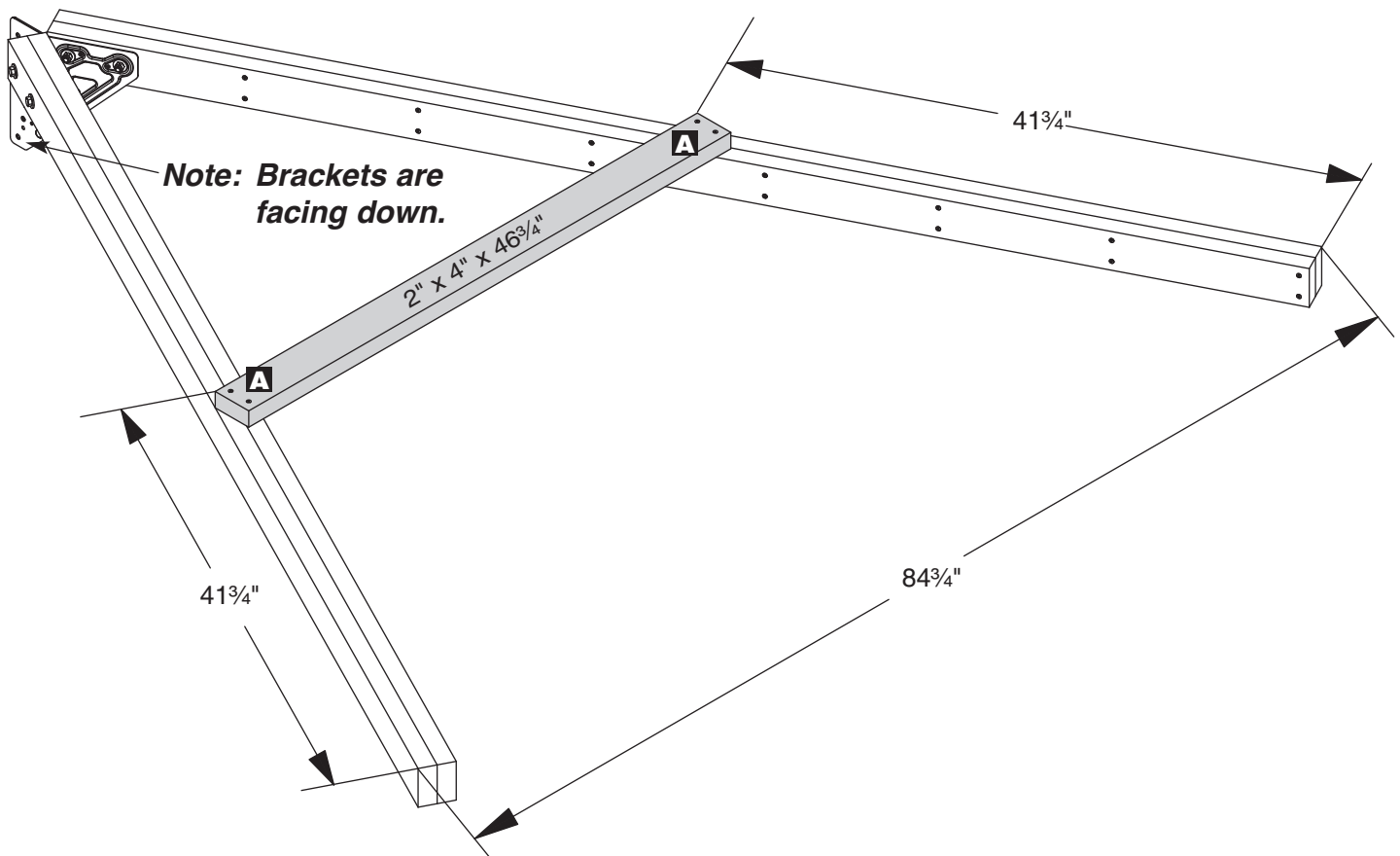
**Items for STEP 16:**

- (1) 2" x 4" x 46<sup>3</sup>/<sub>4</sub>" board
- (4) #8 x 2<sup>1</sup>/<sub>2</sub>" deck screws

Position assembly as shown.

Align the posts so that the outermost points measure 84<sup>3</sup>/<sub>4</sub>" as shown.

Attach 2" x 4" x 46<sup>3</sup>/<sub>4</sub>" board at dimension shown. Secure with #8 x 2<sup>1</sup>/<sub>2</sub>" deck screws.



**SEE PAGES 7 & 8 FOR  
HOLE PATTERNS**

**Items for STEP 17:**

- (2) corner brackets
- (8) #8 x 1¼" screws
- (2) ⅜" x 3½" hex bolts
- (2) ⅜" x 2" hex bolts
- (8) ⅜" washers
- (4) ⅜" lock nuts

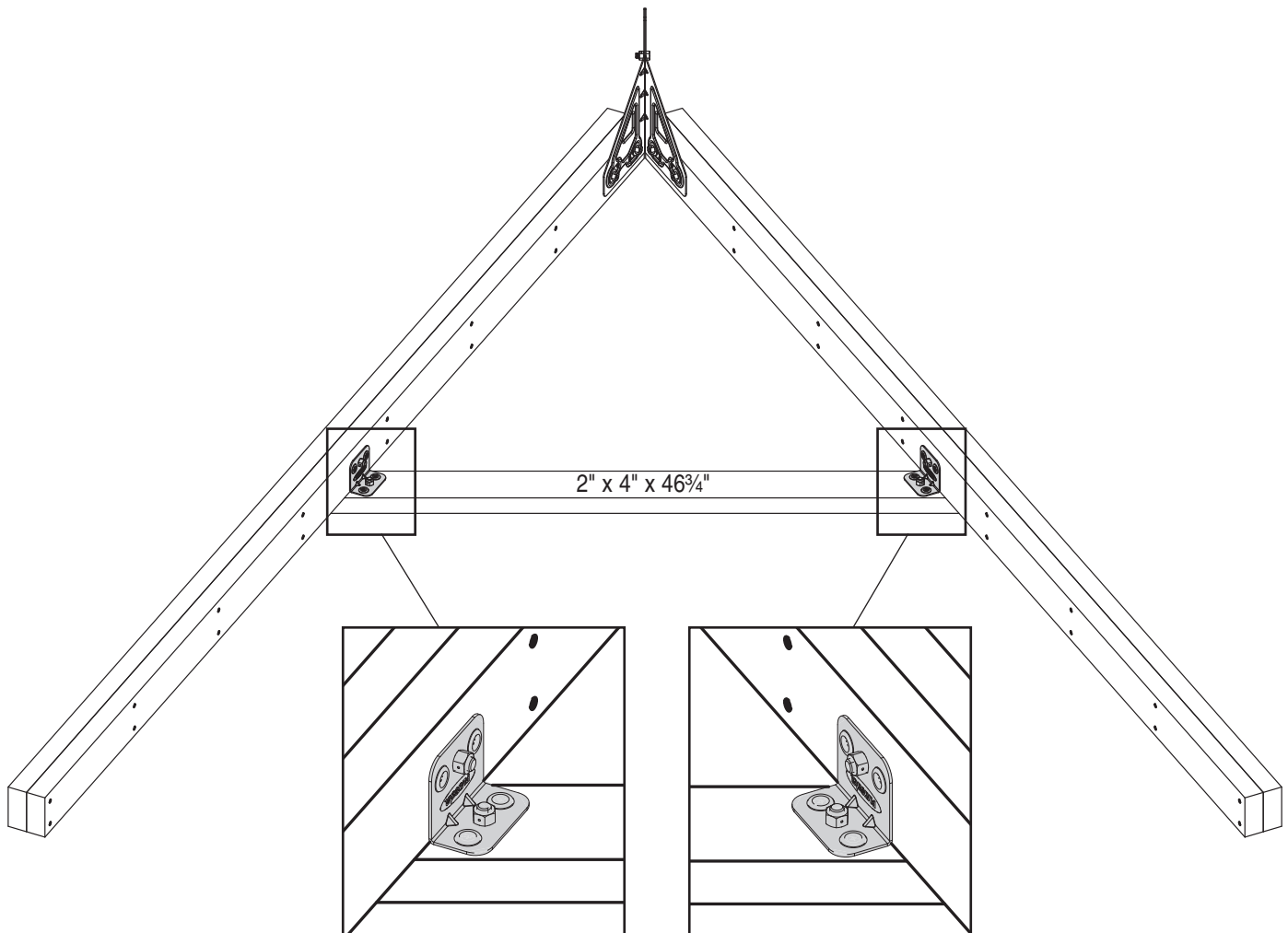
**Attach corner brackets.** To complete the A-Frame Assembly, flip over as shown and position brackets so that the short side is against the 2" x 4" x 46¾" board.

Use the bracket as a drill guide and drill ⅛" holes 1" deep into the board. Attach with #8 x 1¼" deck screws.

Again use the bracket as a drill guide and drill ⅜" holes completely through the boards. Secure with ⅜" hex bolts, ⅜" washers and ⅜" lock nuts.

**NOTE: If you are bolting through one board use a ⅜" x 2" hex bolt.**

**If you are bolting through two boards, use a ⅜" x 3½" hex bolt.**



**Items for STEP 18:**

- (1) 2" x 6" x 88" board
- (1) 2" x 6" x 35<sup>7</sup>/<sub>8</sub>" board
- (4) #8 x 1<sup>1</sup>/<sub>4</sub>" deck screws

Lay out the single post assembly and the A-Frame assembly approximately 92<sup>1</sup>/<sub>2</sub>" apart. Use remaining unused boards to elevate approximately 3".

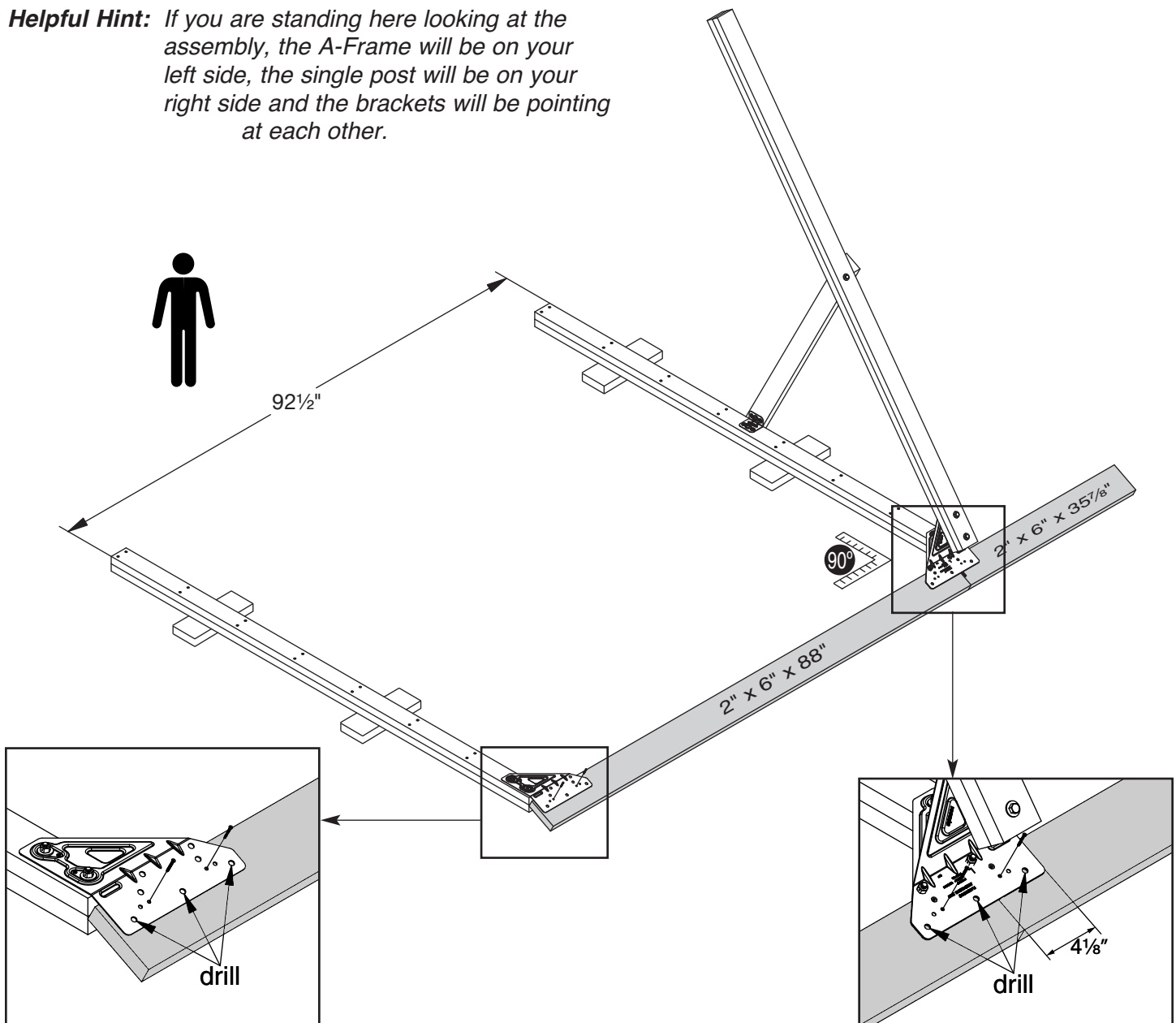
Place 2" x 6" x 88" and 2" x 6" x 35<sup>7</sup>/<sub>8</sub>" beam boards under brackets as shown.

Hold beam tight against bracket. Beam should rest on <sup>3</sup>/<sub>8</sub>" x <sup>3</sup>/<sub>4</sub>" hex bolts and top of post when in proper position. Be sure A-Frame is square (90°) with beam.

Use brackets as a drill guide and drill <sup>1</sup>/<sub>8</sub>" holes 1" deep into the beam and attach with #8 x 1<sup>1</sup>/<sub>4</sub>" deck screws as shown.

Again use brackets as a drill guide and drill <sup>3</sup>/<sub>8</sub>" holes completely through the beam as shown.

**Helpful Hint:** If you are standing here looking at the assembly, the A-Frame will be on your left side, the single post will be on your right side and the brackets will be pointing at each other.



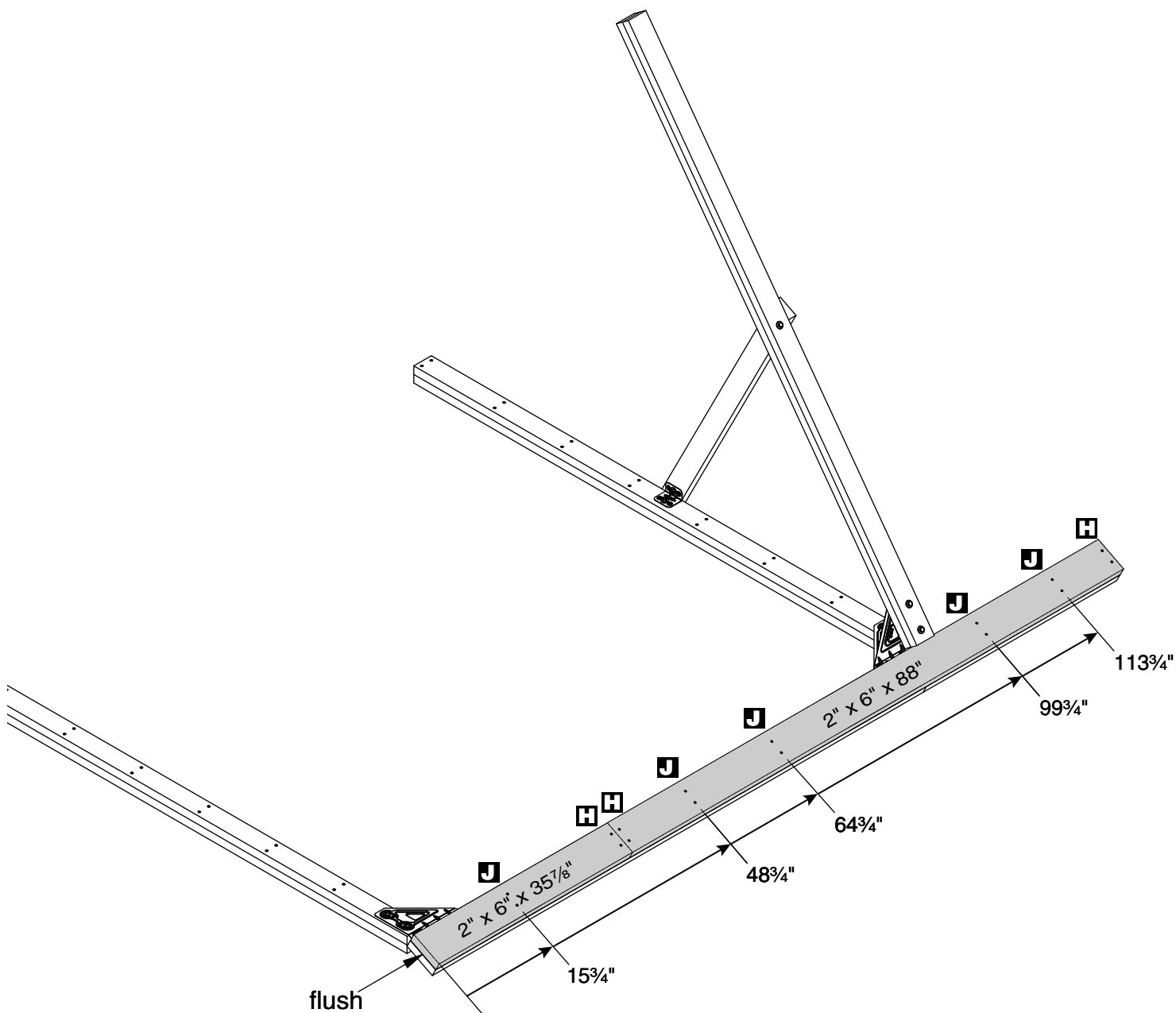
**Items for STEP 19:**

- (1) 2" x 6" x 88" board
- (1) 2" x 6" x 35<sup>7</sup>/<sub>8</sub>" board
- (16) #8 x 2<sup>1</sup>/<sub>2</sub>" deck screws

Pre-drill the 2" x 6" x 88" and 2" x 6" x 35<sup>7</sup>/<sub>8</sub>" beam boards at the dimension shown.  
**(See Pages 7 & 8 "How To Use Your Drill Template For Drill Holes" for details.)**

Attach the drilled 2" x 6" x 88" and 2" x 6" x 35<sup>7</sup>/<sub>8</sub>" board on top of the existing assembly as shown. Make sure boards are flush with bottom board. Secure boards together with #8 x 2<sup>1</sup>/<sub>2</sub>" screws.

**Note: If your boards are a different length, flush the end with the single post.**



**SEE PAGES 7 & 8 FOR  
HOLE PATTERNS**

**Items for STEP 20:**

- (5)  $\frac{3}{8}$ " x  $3\frac{1}{2}$ " hex bolts
- (10)  $\frac{3}{8}$ " washers
- (5)  $\frac{3}{8}$ " lock nuts

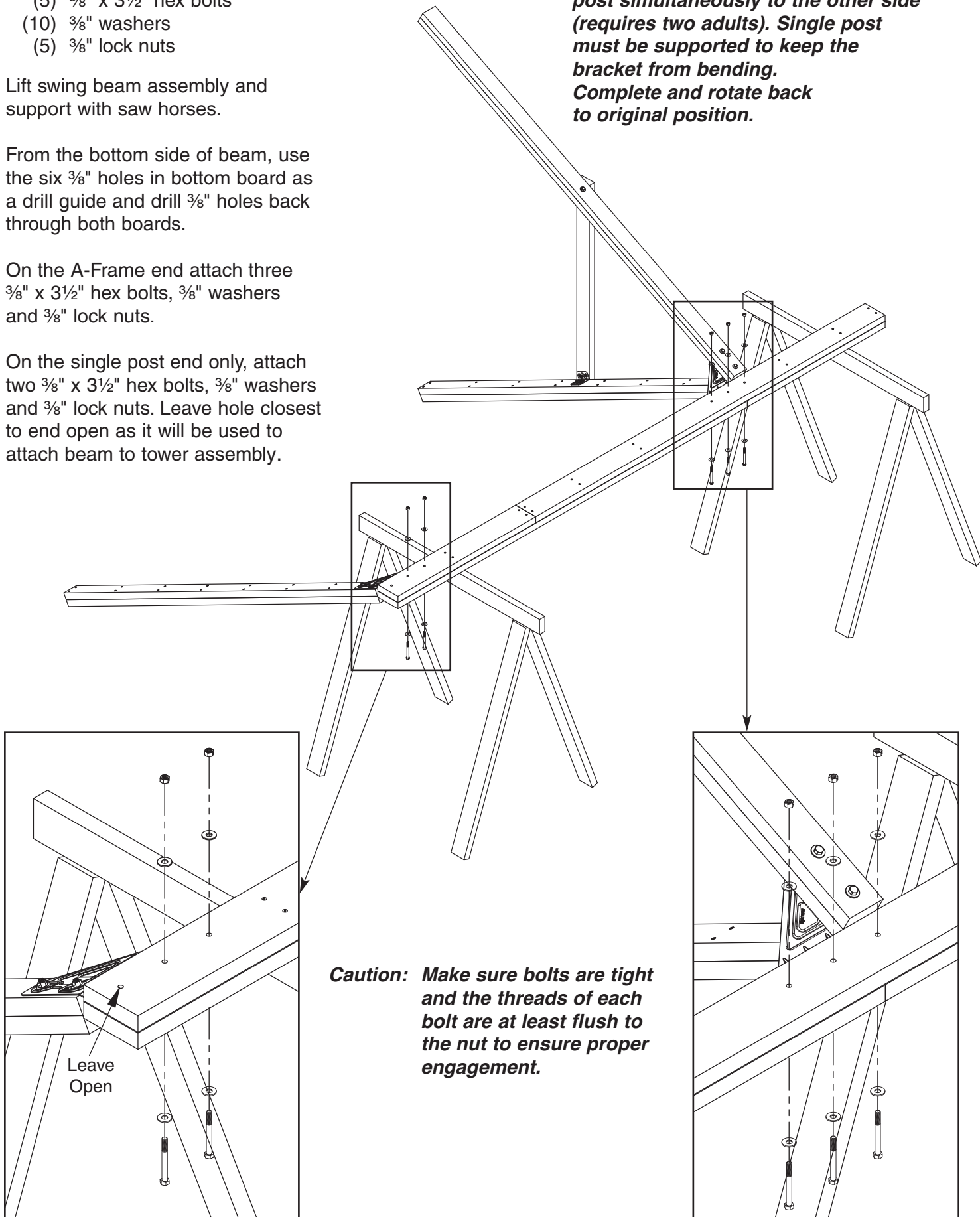
Lift swing beam assembly and support with saw horses.

From the bottom side of beam, use the six  $\frac{3}{8}$ " holes in bottom board as a drill guide and drill  $\frac{3}{8}$ " holes back through both boards.

On the A-Frame end attach three  $\frac{3}{8}$ " x  $3\frac{1}{2}$ " hex bolts,  $\frac{3}{8}$ " washers and  $\frac{3}{8}$ " lock nuts.

On the single post end only, attach two  $\frac{3}{8}$ " x  $3\frac{1}{2}$ " hex bolts,  $\frac{3}{8}$ " washers and  $\frac{3}{8}$ " lock nuts. Leave hole closest to end open as it will be used to attach beam to tower assembly.

**Note:** *If you do not have saw horses, rest beam on ground and rotate A-frame and single post simultaneously to the other side (requires two adults). Single post must be supported to keep the bracket from bending. Complete and rotate back to original position.*





**Items for STEP 21:**

- (6) swing hangers
- (6)  $\frac{3}{8}$ " x 3" lag screws
- (6)  $\frac{3}{8}$ " washers

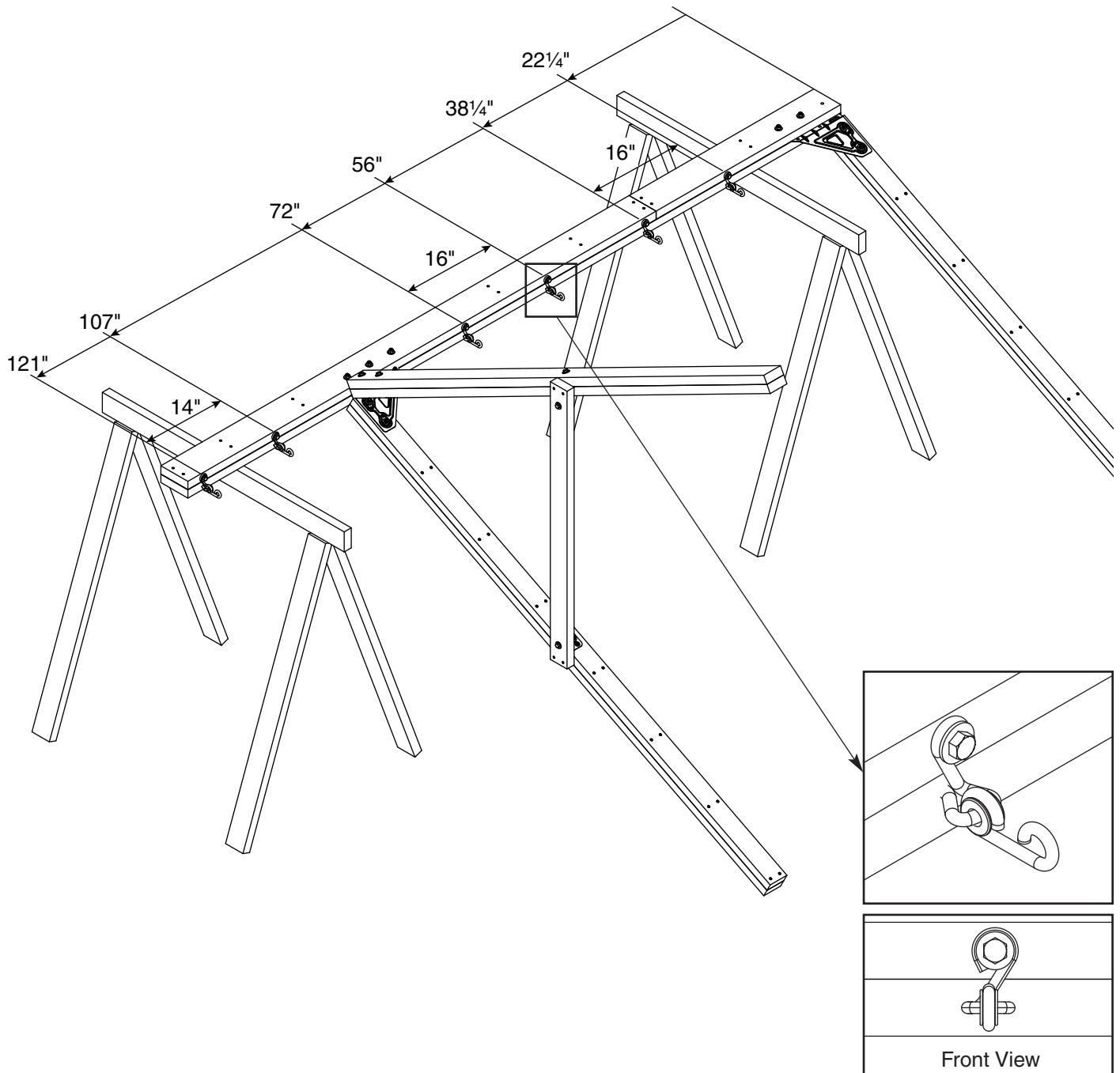
Mark the top beam board, on the bottom edge, at the dimensions shown, for swing hanger locations.

**NOTE: If you are installing the Air Rider, follow the installation instructions that are supplied with the Air Rider.**

Drill a  $\frac{1}{4}$ " hole  $2\frac{1}{2}$ " deep in the center of the bottom board at each swing hanger location.

Screw swing hangers into beam by hand (a long screwdriver will help). Tighten swing hanger until loop is tight against adjoining board and swing hanger is positioned as shown.

Drill another  $\frac{1}{4}$ " hole  $2\frac{1}{2}$ " deep in adjoining board through swing hanger loop and secure each swing hanger with one  $\frac{3}{8}$ " x 3" lag screw and  $\frac{3}{8}$ " washer.



# CONNECT TOWER AND SWING BEAM

## Items for **STEP 22:**

- (1)  $\frac{3}{8}$ " x  $4\frac{1}{2}$ " bolt
- (2)  $\frac{3}{8}$ " washers
- (1)  $\frac{3}{8}$ " lock nut

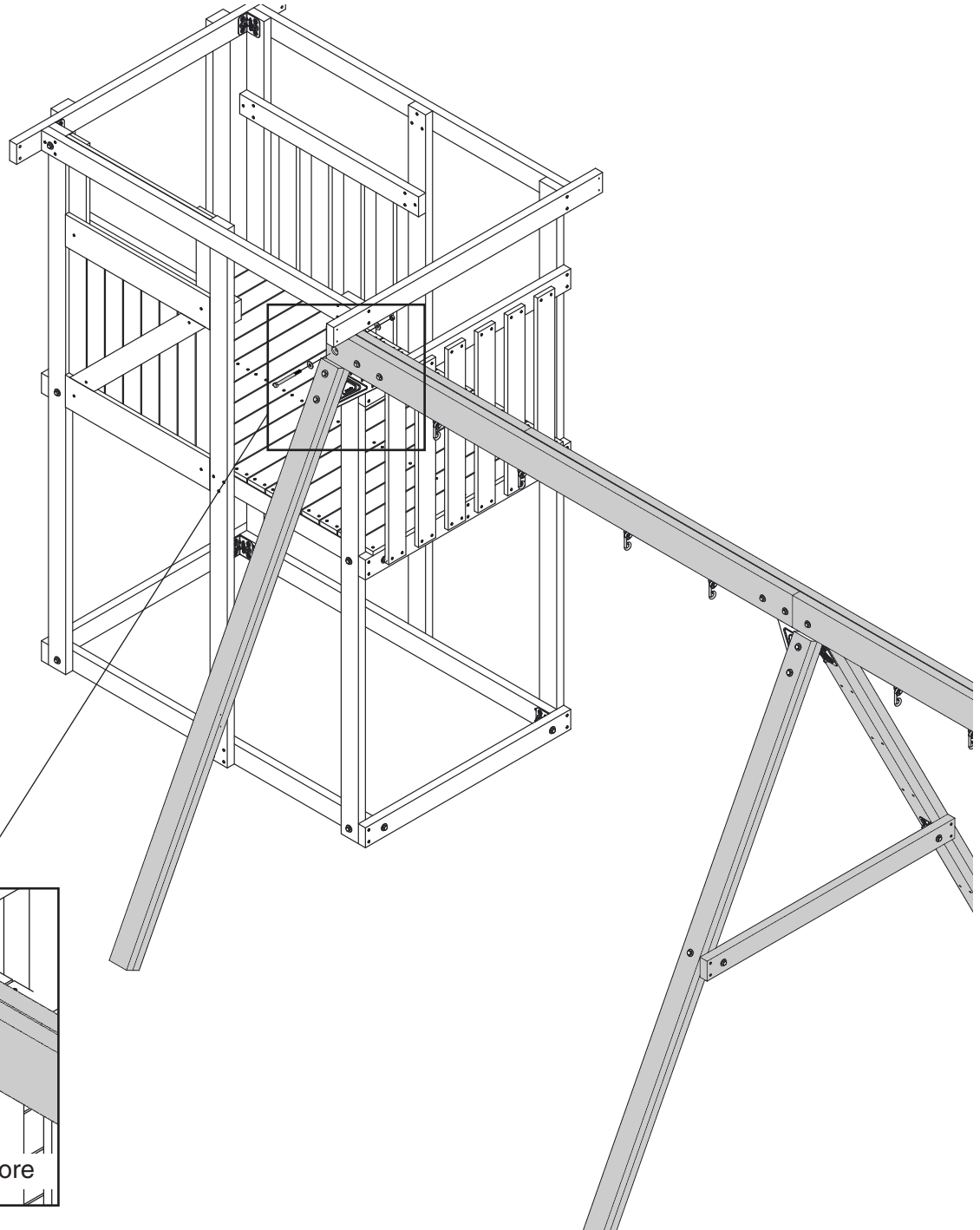
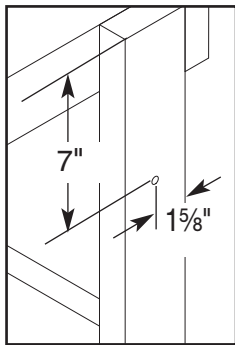
On the post of tower assembly where the beam will be attached, measure and mark hole location (7" down and  $1\frac{5}{8}$ " from edge) as shown. **(Fig. 1)**

Drill a  $\frac{3}{8}$ " hole completely through the board.

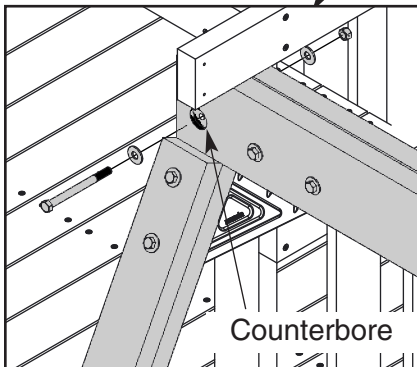
On the open hole of the beam assembly use a  $1\frac{1}{8}$ " spade bit and counterbore approximately  $\frac{1}{4}$ " deep to ensure that the threads of the bolt are at least flush to the end of the nut when installed. **(Fig. 2)**

Lift beam to an upright position and attach to tower using one  $\frac{3}{8}$ " x  $4\frac{1}{2}$ " hex bolt,  $\frac{3}{8}$ " washers and  $\frac{3}{8}$ " lock nut as shown. **(Fig. 2)**

**Fig. 1**



**Fig. 2**



**Items for STEP 23:**

- (1) 2" x 4" x 28" board
- (2) corner brackets
- (4) #8 x 2½" deck screws
- (8) #8 x 1¼" deck screws
- (1) ⅜" x 3½" hex bolt
- (3) ⅜" x 2" hex bolts
- (8) ⅜" washers
- (4) ⅜" lock nuts

Position 2" x 4" x 28" board approximately 34¾" up from bottom of tower flush with the tower and swing beam posts as shown. Attach with #8 x 2½" deck screws.

**Attach corner brackets.** Position brackets so that the short sides are against the 2" x 4" x 28" board. (See Page 7 and 8 for details.)

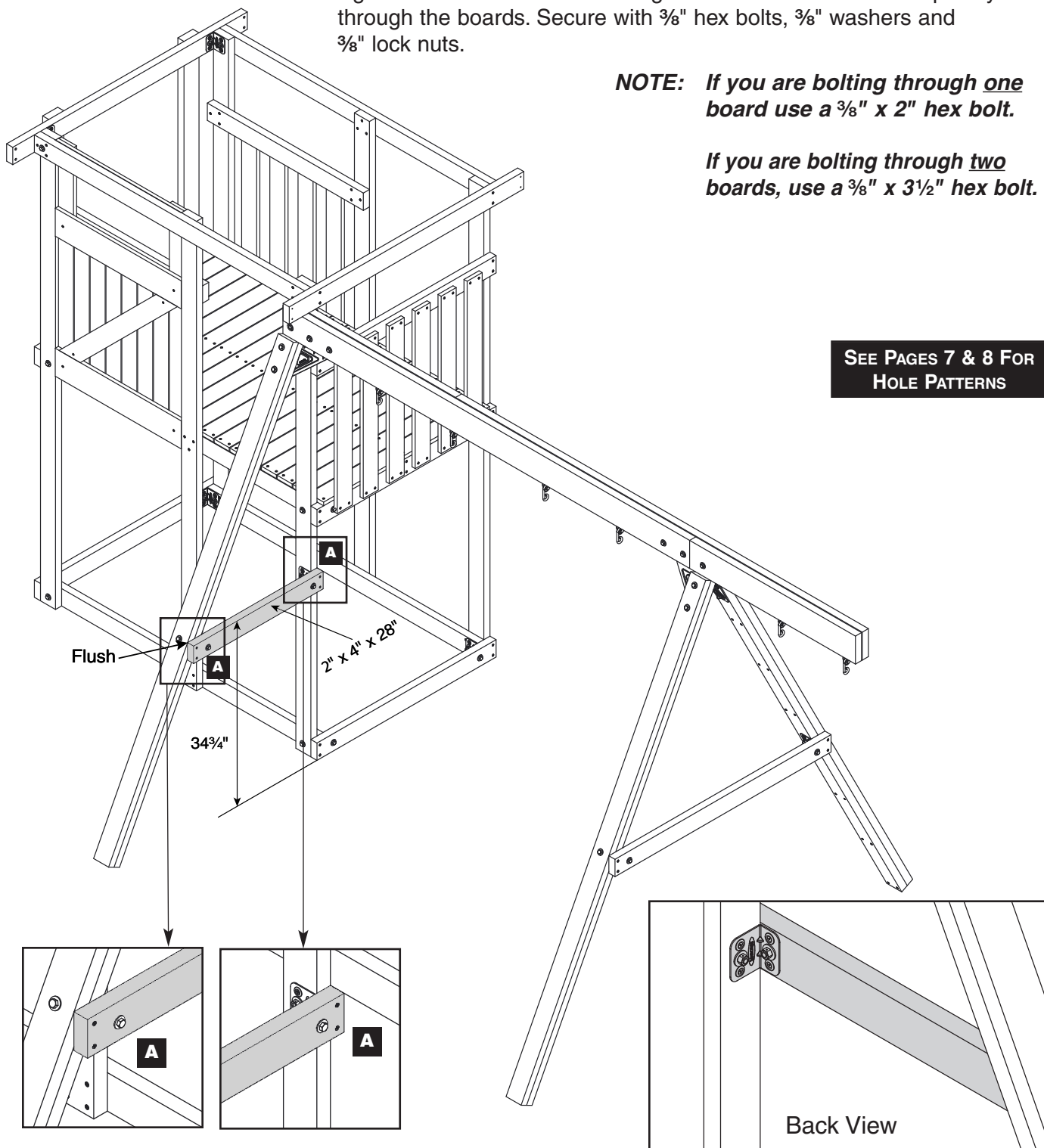
Use the bracket as a drill guide and drill ⅛" holes 1" deep into the board. Attach with #8 x 1¼" deck screws.

Again use the bracket as a drill guide and drill ⅜" holes completely through the boards. Secure with ⅜" hex bolts, ⅜" washers and ⅜" lock nuts.

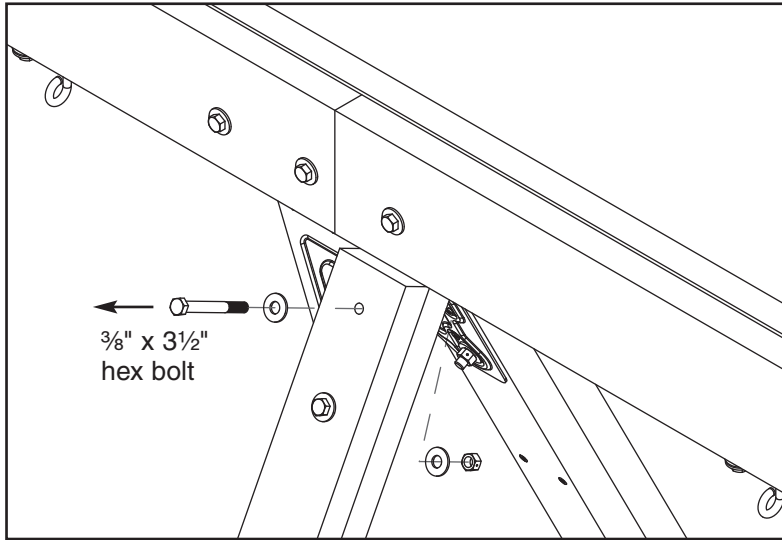
**NOTE:** *If you are bolting through one board use a ⅜" x 2" hex bolt.*

*If you are bolting through two boards, use a ⅜" x 3½" hex bolt.*

**SEE PAGES 7 & 8 FOR HOLE PATTERNS**



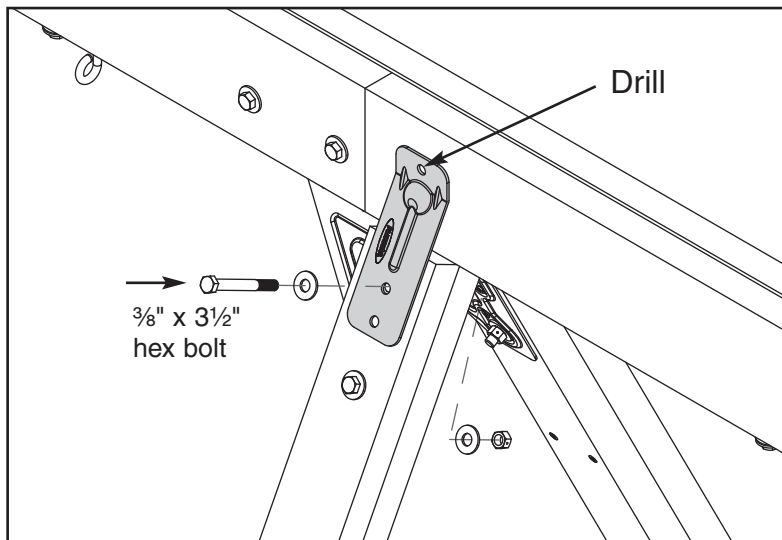
# STURDY-FRAME BRACE INSTALLATION



## STEP 24:

Remove the top 3/8" x 3 1/2" hex bolt, washers and lock nut from the post support as shown. (Save these parts because they will be used in the next step.)

**NOTE:** *It is easiest to remove this bolt by continuing to rotate in a counterclockwise direction.*

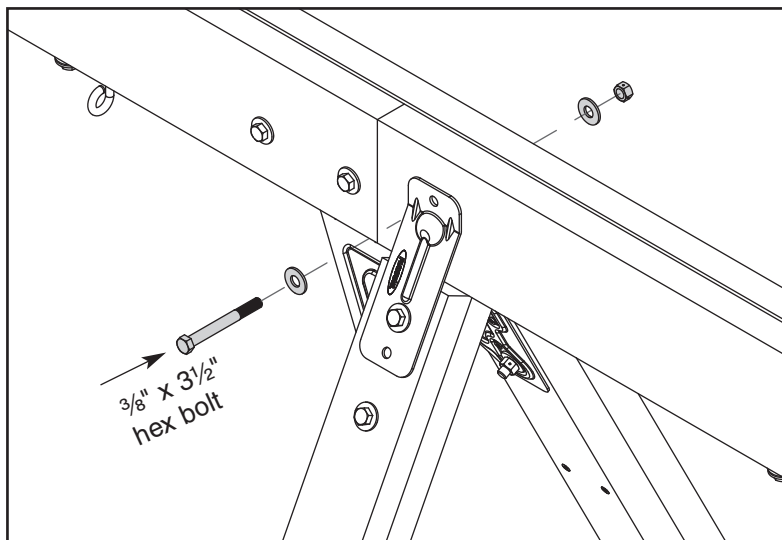


## Items for STEP 25:

- (1) Sturdy-Frame Brace
  - (1) 3 1/2" hex bolt
  - (2) 3/8" washers
  - (1) 3/8" lock nut
- } *Removed on previous step*

Install the Sturdy-Frame Brace as shown and secure with 3/8" x 3 1/2" hex bolt, washers and lock nut removed in previous step.

Make sure brace is square to beam. Using the brace as a template, drill a 3/8" hole completely through the beam.



## Items for STEP 26:

- (1) 3 1/2" hex bolt
- (2) 3/8" washers
- (1) 3/8" lock nut

Secure the Sturdy-Frame Brace to the beam with the 3/8" x 3 1/2" hex bolt, washers and lock nut.



If you purchased the optional Adventure Tunnel Kit (PS 8876) it must be installed now. Follow the building instructions included with the Adventure Tunnel Kit. Then continue with these Instructions on page 36.

If you are not installing the Adventure Tunnel Kit, proceed with the instructions below.

**Items for STEP 27:**

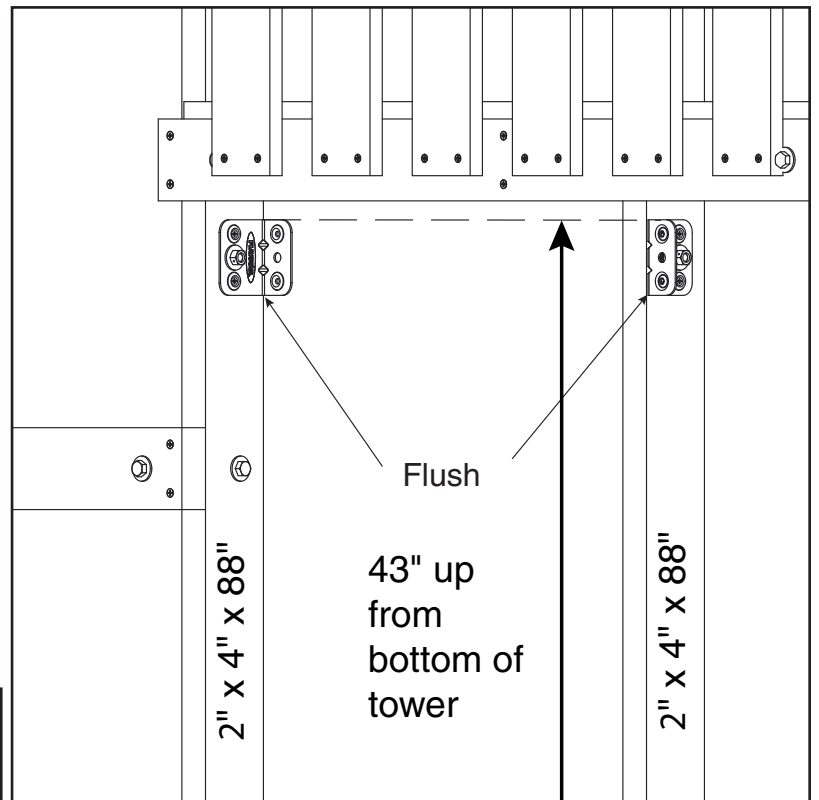
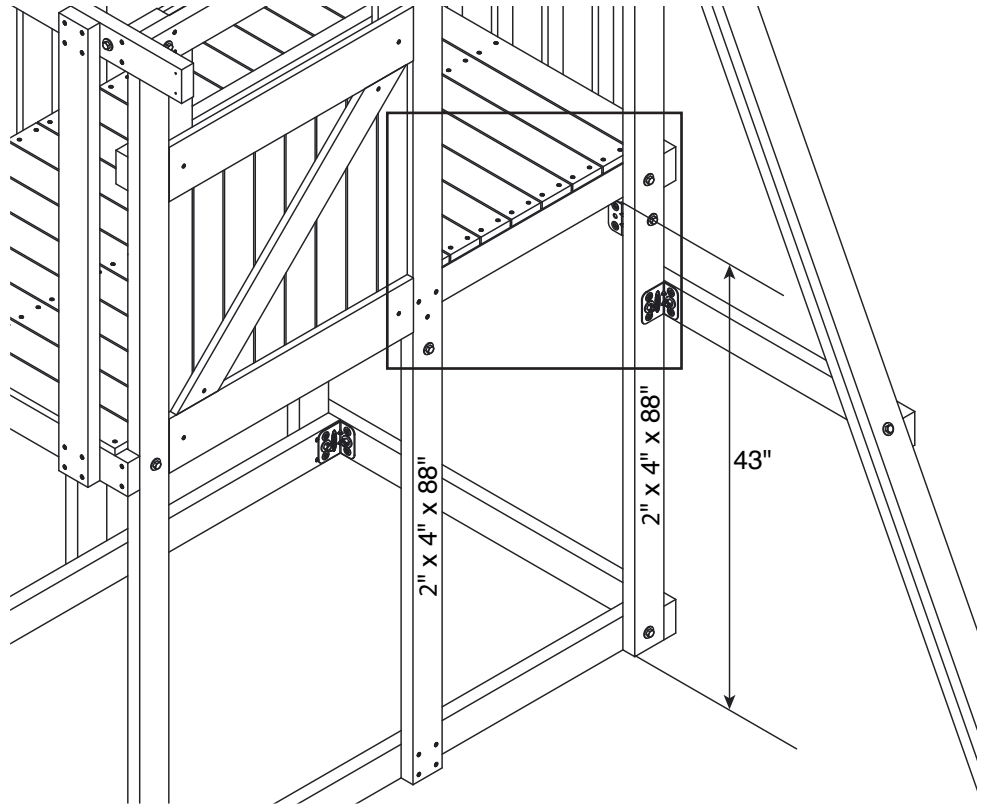
- (2) Corner Brackets
- (4) #8 x 1 1/4" deck screws
- (2) 3/8" x 2" hex bolts
- (4) 3/8" washers
- (2) 3/8" lock nuts

**Attach corner brackets.**

Working from underneath the deck, position two brackets 43" up from bottom of tower with the long side of the brackets against the 2" x 4" x 88" boards and the short side flush with the inside edges as shown.

Use brackets as a drill guide and drill 1/8" holes 1" deep into the board. Attach with #8 x 1 1/4" deck screws.

Again use the brackets as a drill guide and drill 3/8" holes completely through the board. Secure with 3/8" x 2" hex bolts, 3/8" washers, and 3/8" lock nuts.



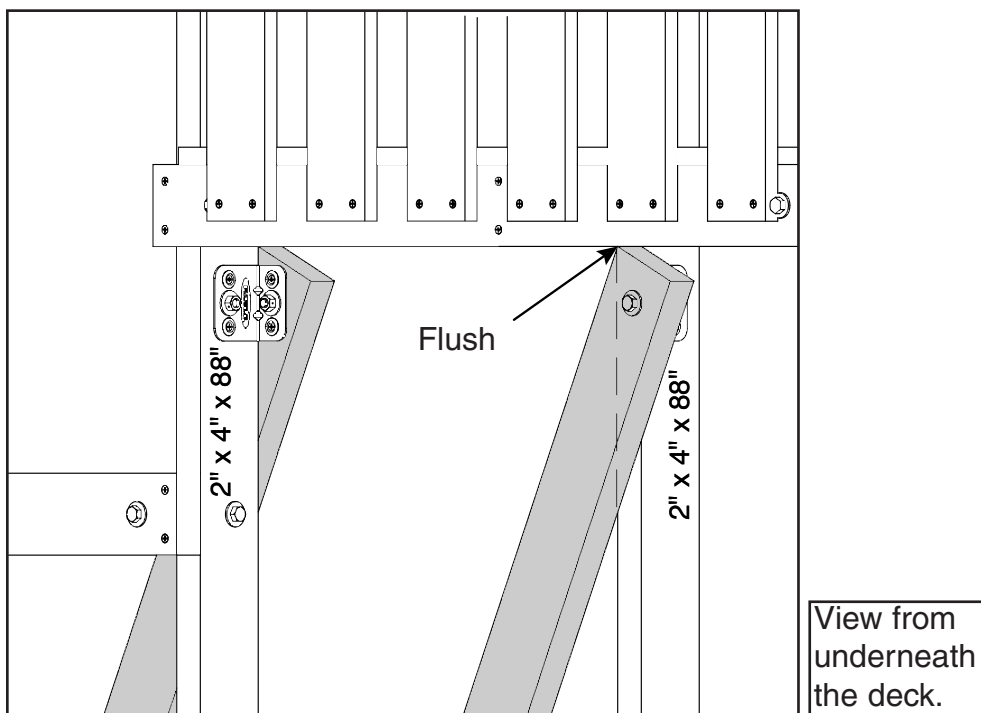
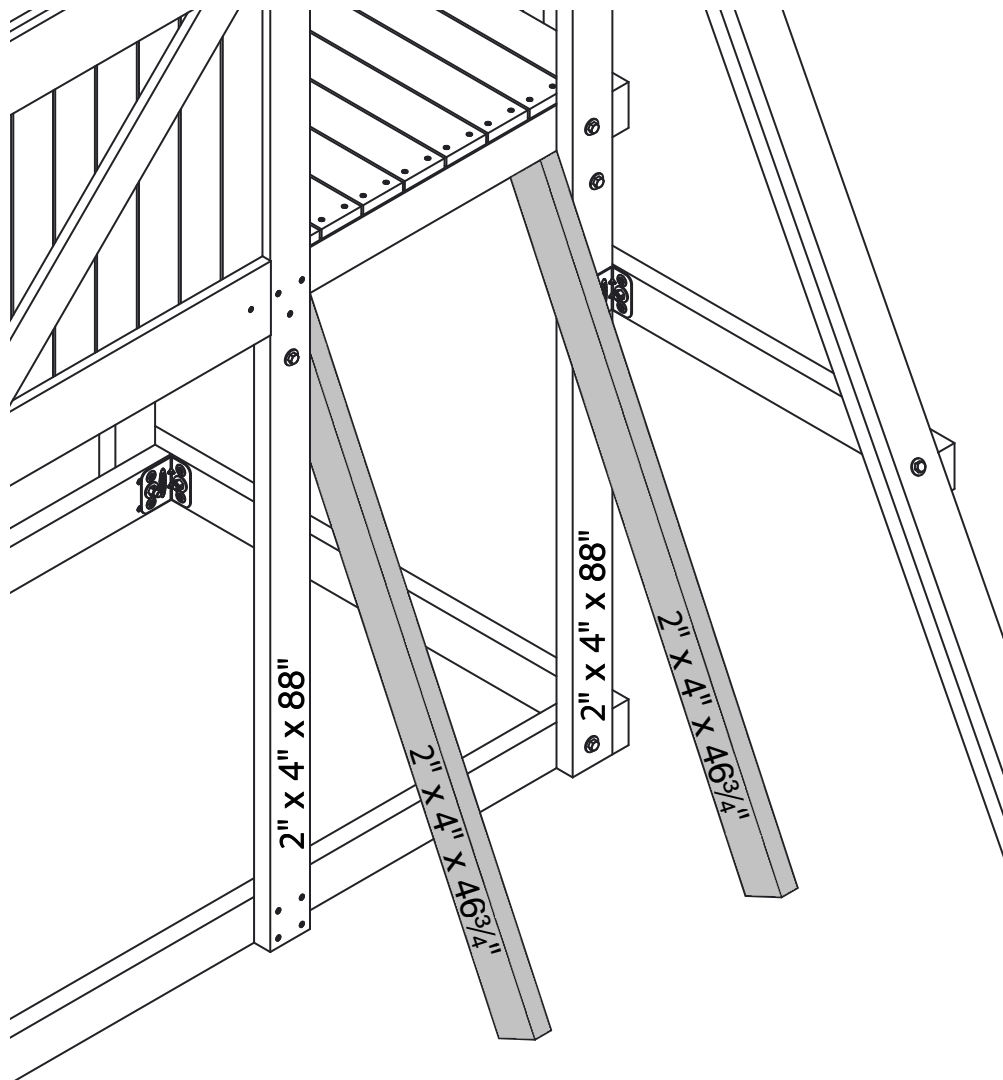
**Items for STEP 28:**

- (2) 2" x 4" x 46<sup>3</sup>/<sub>4</sub>" boards
- (4) #8 x 1<sup>1</sup>/<sub>4</sub>" deck screws
- (2) <sup>3</sup>/<sub>8</sub>" x 2" hex bolts
- (4) <sup>3</sup>/<sub>8</sub>" washers
- (2) <sup>3</sup>/<sub>8</sub>" lock nuts

Attach two 2" x 4" x 46<sup>3</sup>/<sub>4</sub>" boards to corner brackets as shown. Bottom corner of board must rest on the ground and the top corner of board must be flush with the back side of 2" x 4" x 88" boards.

Use the bracket as a drill guide and drill <sup>1</sup>/<sub>8</sub>" holes 1" deep into the boards. Attach with #8 x 1<sup>1</sup>/<sub>4</sub>" deck screws.

Again use the bracket as a drill guide and drill <sup>3</sup>/<sub>8</sub>" holes completely through the boards. Secure with <sup>3</sup>/<sub>8</sub>" x 2" hex bolts, <sup>3</sup>/<sub>8</sub>" washers and <sup>3</sup>/<sub>8</sub>" lock nuts.



**Items for STEP 29:**

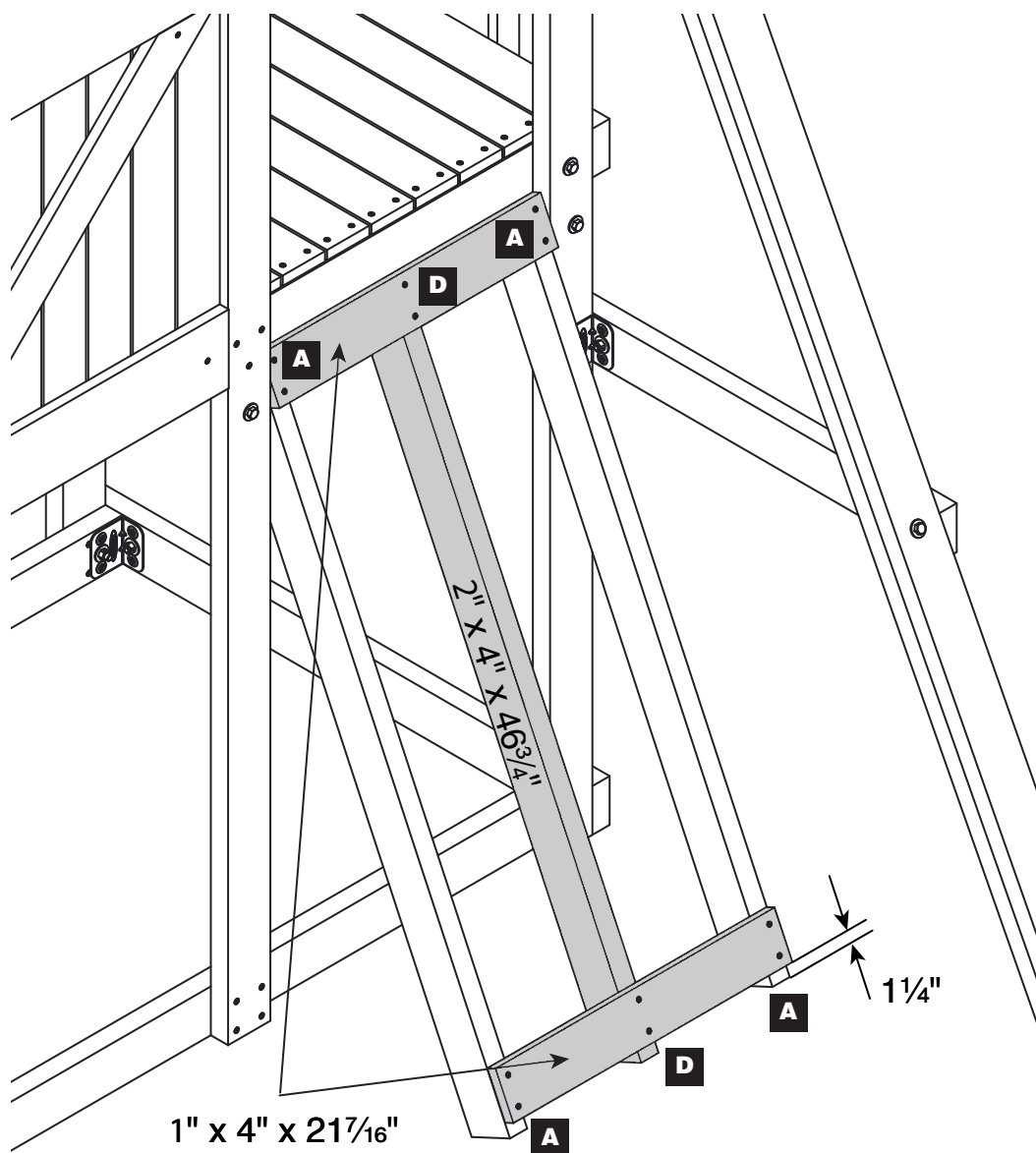
- (1) 2" x 4" x 46<sup>3</sup>/<sub>4</sub>" board
- (2) 1" x 4" x 21<sup>7</sup>/<sub>16</sub>" boards
- (12) #8 x 1<sup>1</sup>/<sub>2</sub>" deck screws

Attach two pre-drilled and counter-sunk 1" x 4" x 21<sup>7</sup>/<sub>16</sub>" boards as shown. Secure each board with #8 x 1<sup>1</sup>/<sub>2</sub>" deck screws. Do not over tighten the screws.

Center the 2" x 4" x 46<sup>3</sup>/<sub>4</sub>" board behind and flush with the top board as shown. Secure with #8 x 1<sup>1</sup>/<sub>2</sub>" deck screws.

Center the 2" x 4" x 46<sup>3</sup>/<sub>4</sub>" board behind bottom board as shown. Secure with #8 x 1<sup>1</sup>/<sub>2</sub>" deck screws.

**Caution: Failure to pre-drill and counter-sink the boards may result in split lumber.**



**SEE PAGES 7 & 8 FOR  
HOLE PATTERNS**

**Items for STEP 30:**

- (12) 1" x 4" x 21<sup>7</sup>/<sub>16</sub>" boards
- (72) #8 x 1<sup>1</sup>/<sub>2</sub>" deck screws

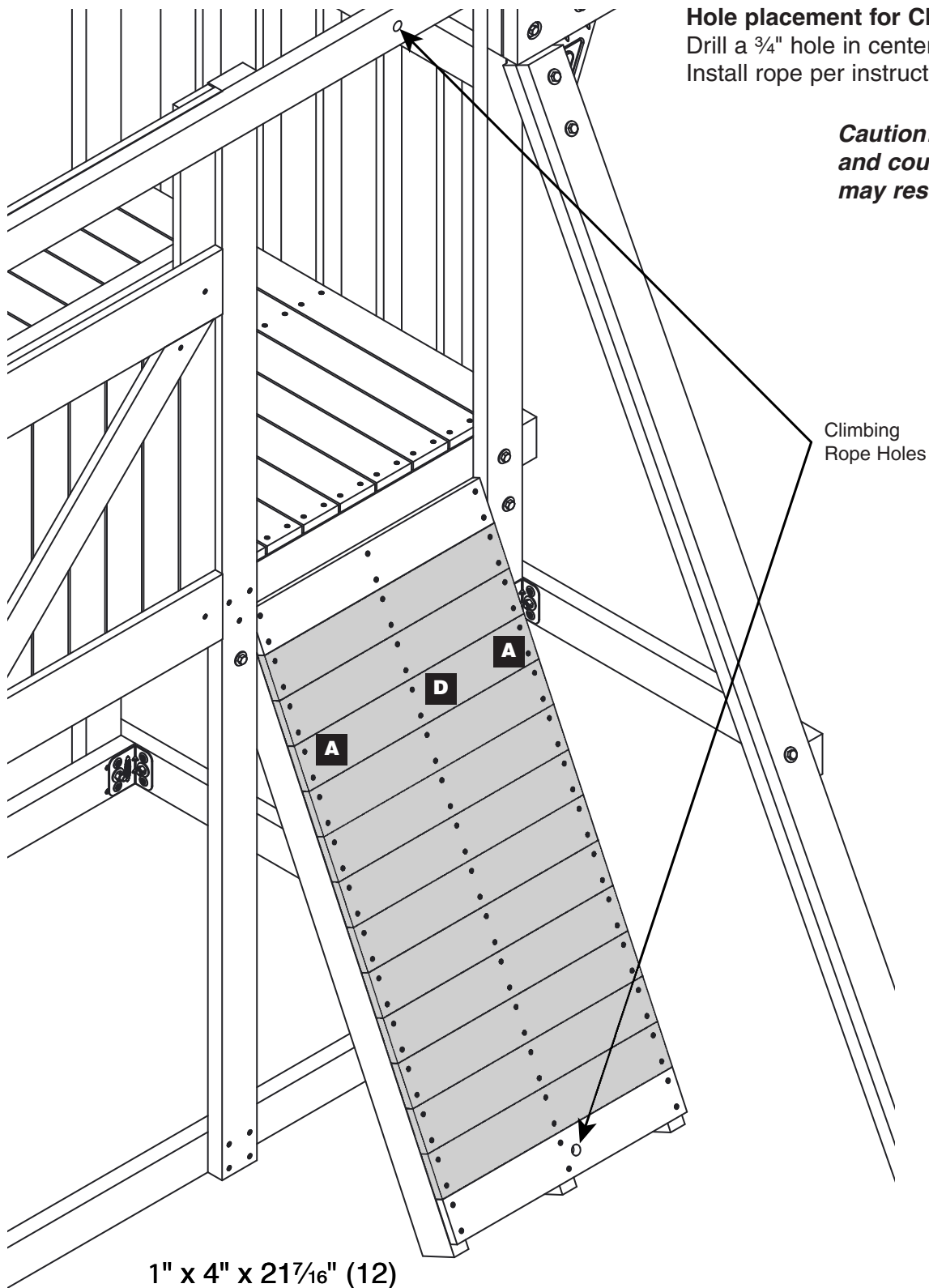
Attach twelve pre-drilled and counter-sank 1" x 4" x 21<sup>7</sup>/<sub>16</sub>" boards in between the two boards you attached in the previous step. Start at the top and keep boards tight to each other. Secure with #8 x 1<sup>1</sup>/<sub>2</sub>" deck screws. Do not over tighten the screws.

**Note:** If the last board doesn't fit or if there is a gap because of the boards being too big or too small, remove the bottom board and adjust.

**Hole placement for Climbing Rope:**

Drill a 3/4" hole in center of boards as shown. Install rope per instructions on Page 43.

**Caution:** Failure to pre-drill and counter-sink the boards may result in split lumber.



SEE PAGES 7 & 8 FOR  
HOLE PATTERNS



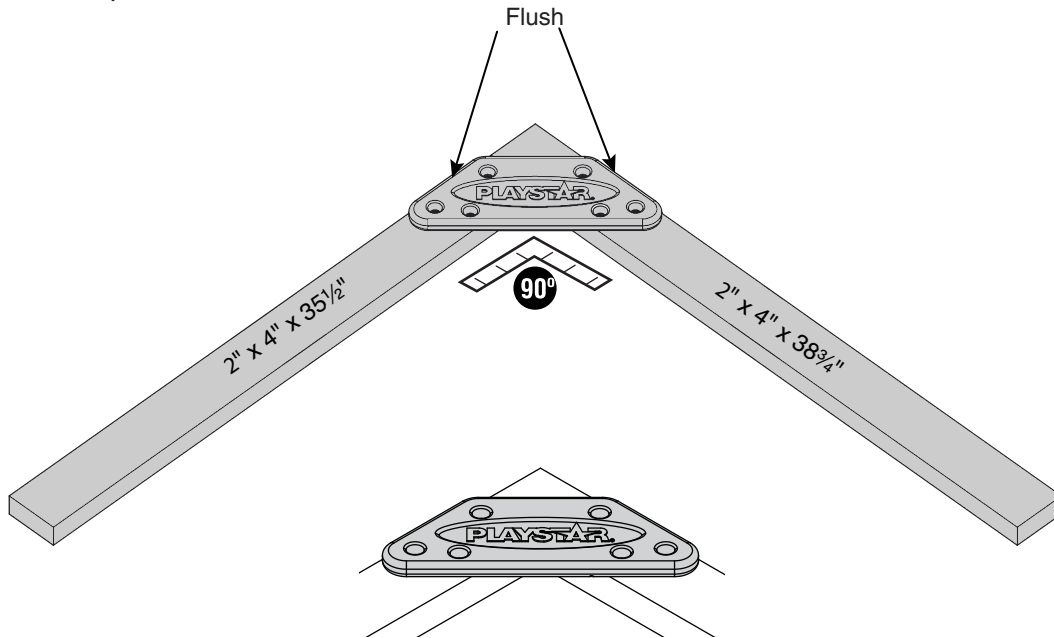
# ROOF ASSEMBLY

## Items for STEP 31:

- (2) Roof Caps
- (2) 2" x 4" x 38 $\frac{3}{4}$ " boards
- (2) 2" x 4" x 35 $\frac{1}{2}$ " boards
- (12) #14 x 1 $\frac{1}{4}$ " pan head screws

On a flat surface position boards as shown. Keep boards square while attaching roof cap to boards with #14 x 1 $\frac{1}{4}$ " pan head screws.

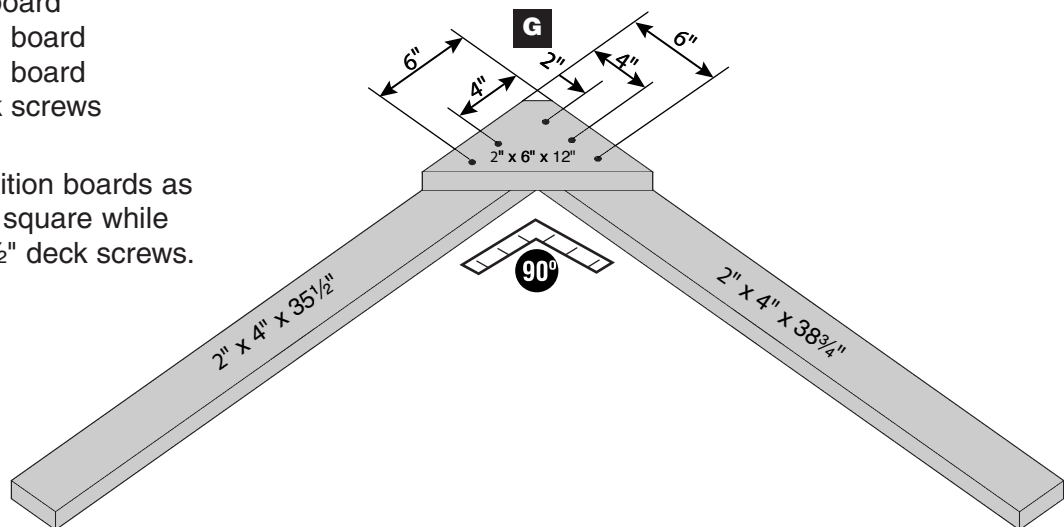
**Repeat for second roof assembly.**



## Items for STEP 32:

- (1) 2" x 6" x 12" board
- (1) 2" x 4" x 38 $\frac{3}{4}$ " board
- (1) 2" x 4" x 35 $\frac{1}{2}$ " board
- (5) #8 x 2 $\frac{1}{2}$ " deck screws

On a flat surface, position boards as shown. Keep boards square while securing with #8 x 2 $\frac{1}{2}$ " deck screws.



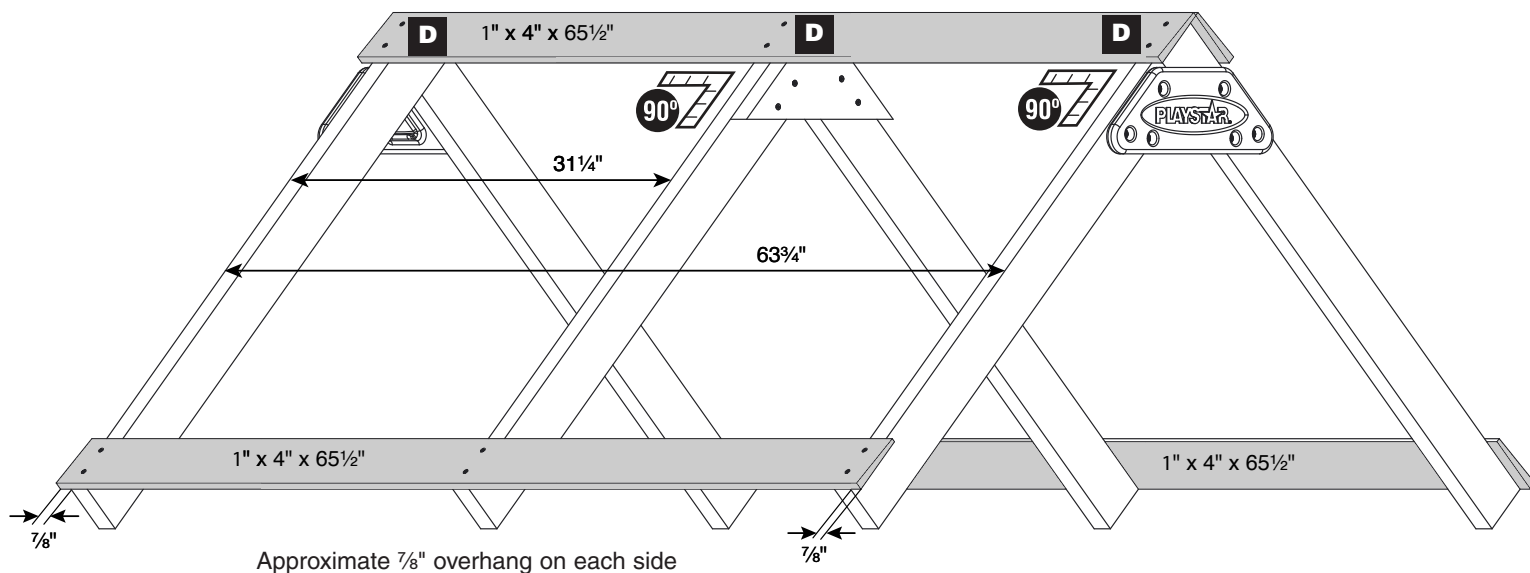
**Items for STEP 33:**

- (2) Step 31 Assemblies
- (1) Step 32 Assembly
- (4) 1" x 4" x 65½" boards
- (24) #8 x 1½" deck screws

Hold Step 31 Assemblies 63¾" apart. Position 1" x 4" x 65½" boards flush with the top and bottom as shown. Keep boards square and secure with #8 x 1½" deck screws.

**Repeat for other side.**

Position Step 32 Assembly as shown. Keeping boards square and flush to 1" x 4" x 65½" boards, secure with #8 x 1½" deck screws.



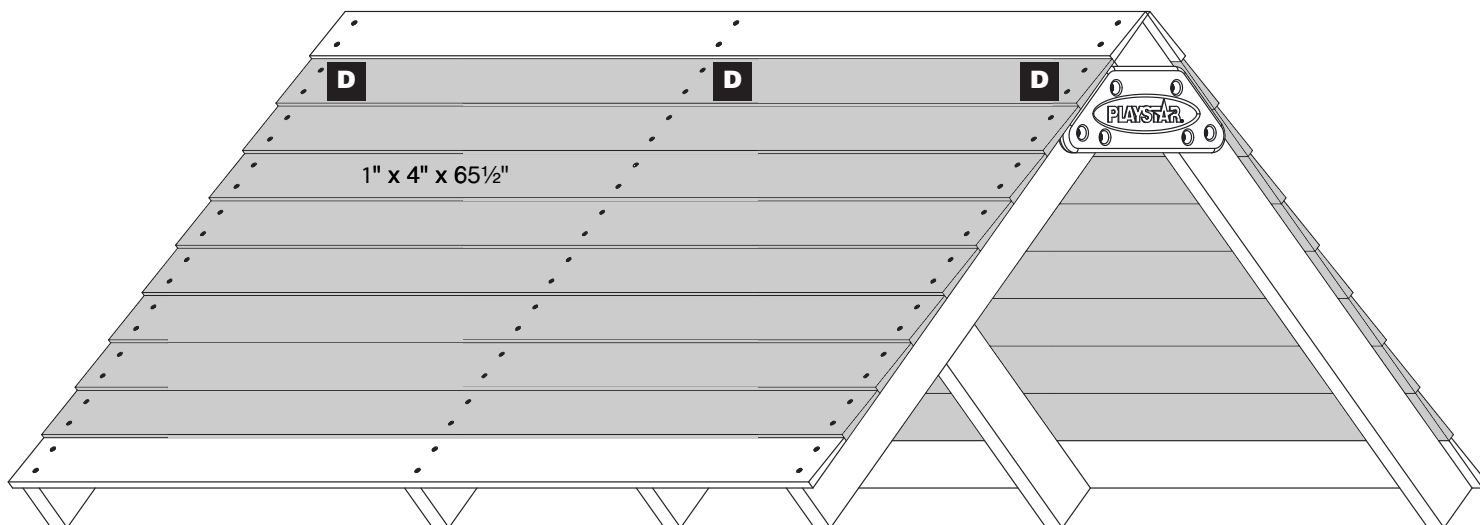
**Items for STEP 34:**

- (16) 1" x 4" x 65½" boards
- (96) #8 x 1½" deck screws

Start at the top and attach 1" x 4" x 65½" boards between top and bottom boards as shown. Secure with #8 x 1½" deck screws.

**Note: If the last board doesn't fit or if there is a gap because of the boards being too big or too small, remove the bottom board and adjust.**

**Repeat for other side.**

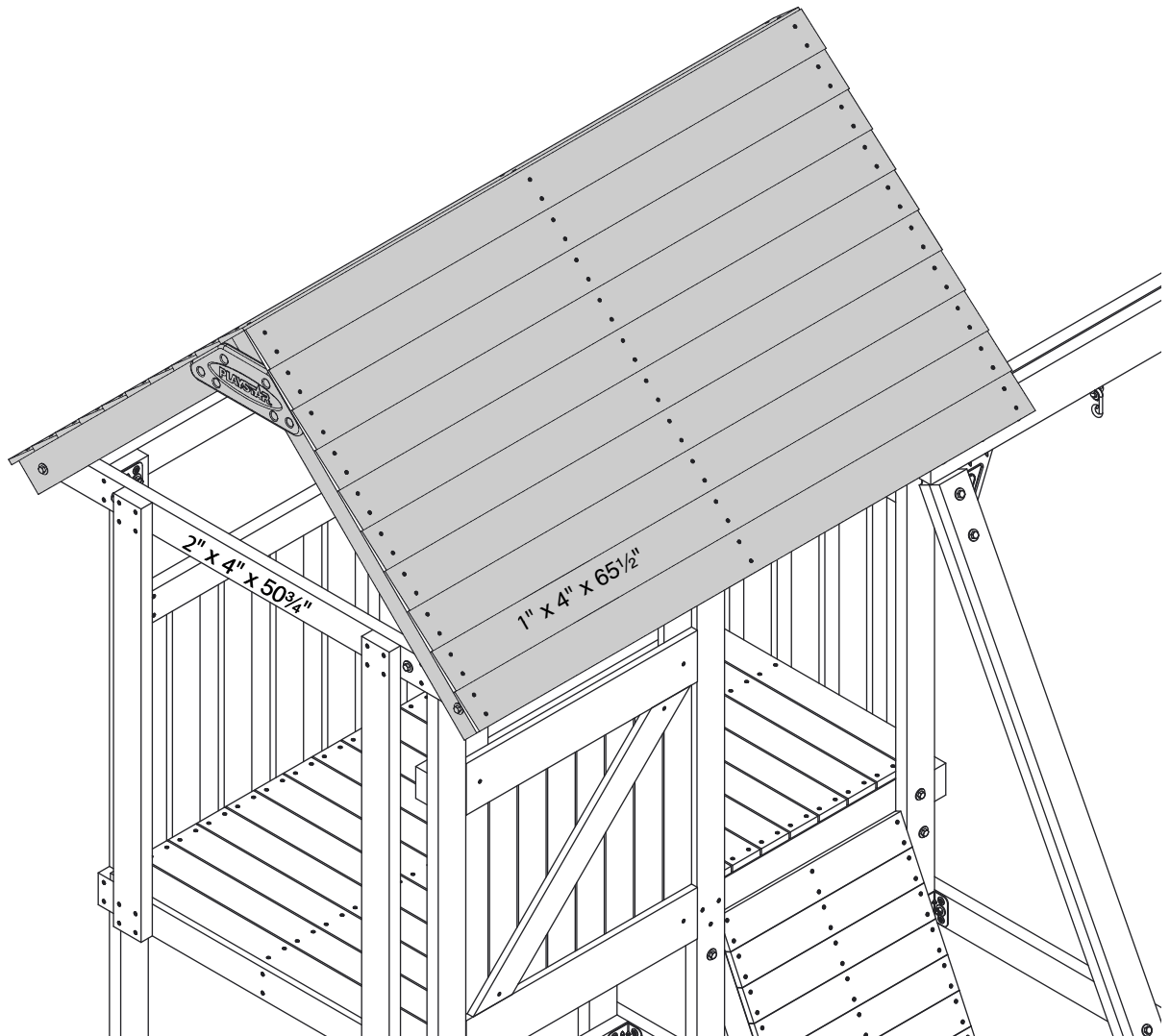


**Items for STEP 35:**

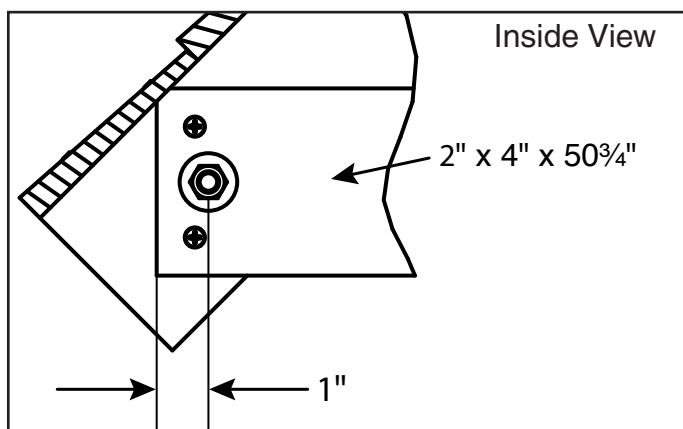
- (1) Roof Assembly
- (4)  $\frac{3}{8}$ " x  $3\frac{1}{2}$ " hex bolts
- (8)  $\frac{3}{8}$ " washers
- (4)  $\frac{3}{8}$ " lock nuts
- (8) #8 x  $2\frac{1}{2}$ " deck screws

Position Roof Assembly on tower so that the 1" x 4" x  $65\frac{1}{2}$ " boards are firmly resting on the 2" x 4" x  $50\frac{3}{4}$ " boards. Make sure the roof is level with the tower and with equal overhang on all four corners.

Secure each corner from the inside with two #8 x  $2\frac{1}{2}$ " deck screws using previously drilled holes. Drill a  $\frac{3}{8}$ " hole on each corner and secure with one  $\frac{3}{8}$ " x  $3\frac{1}{2}$ " hex bolt,  $\frac{3}{8}$ " washers and  $\frac{3}{8}$ " lock nut. (See below for detail of bolt placement)



Detail of Bolt Placement



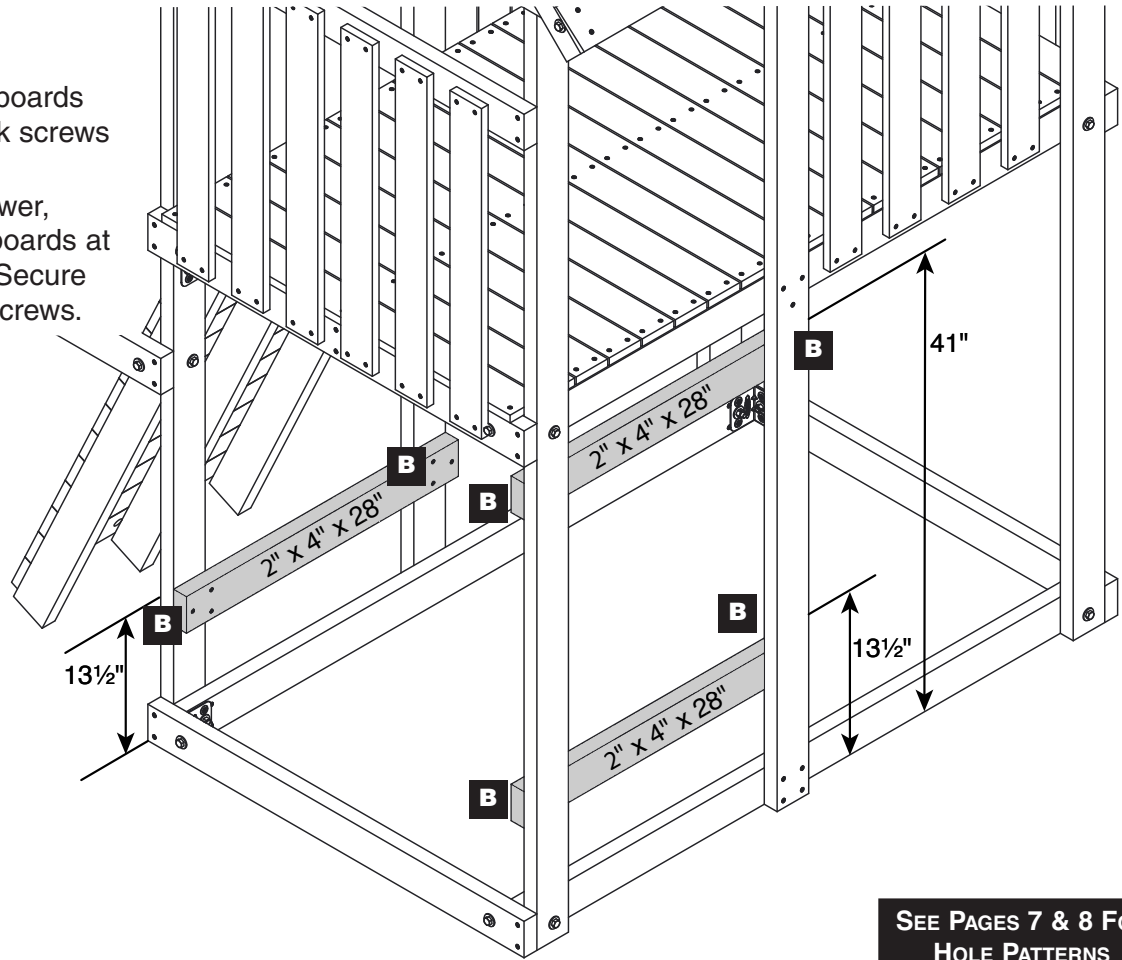
Predrill -  
 $\frac{1}{8}$ " dia. for #8 x  $2\frac{1}{2}$ " deck screws  
 $\frac{3}{8}$ " dia. for  $\frac{3}{8}$ " x  $3\frac{1}{2}$ " hex bolts

# BENCH & CLIMBING BARS

## Items for STEP 36:

- (3) 2" x 4" x 28" boards
- (18) #8 x 2½" deck screws

From the inside of tower, attach 2" x 4" x 28" boards at dimensions shown. Secure with #8 x 2½" deck screws.

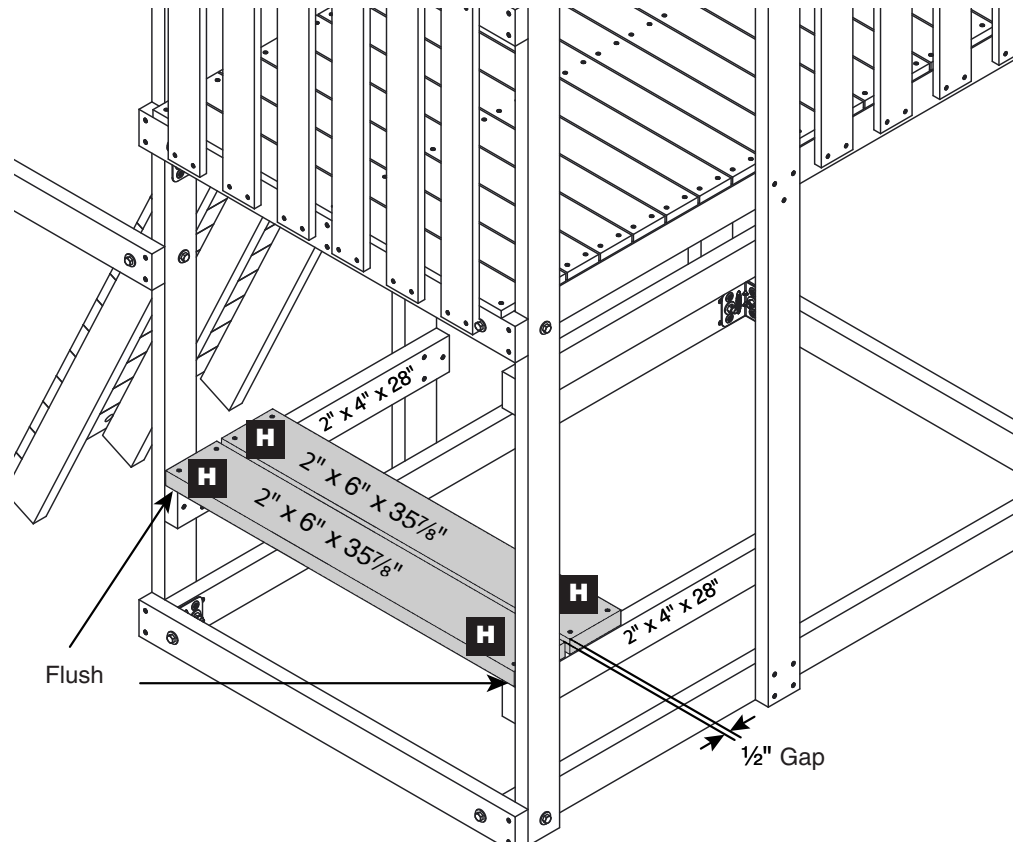


SEE PAGES 7 & 8 FOR HOLE PATTERNS

## Items for STEP 37:

- (2) 2" x 6" x 35⅞" boards
- (8) #8 x 2½" deck screws

Position 2" x 6" x 35⅞" boards on top of 2" x 4" x 28" boards as shown. Secure with #8 x 2½" deck screws.



SEE PAGES 7 & 8 FOR HOLE PATTERNS

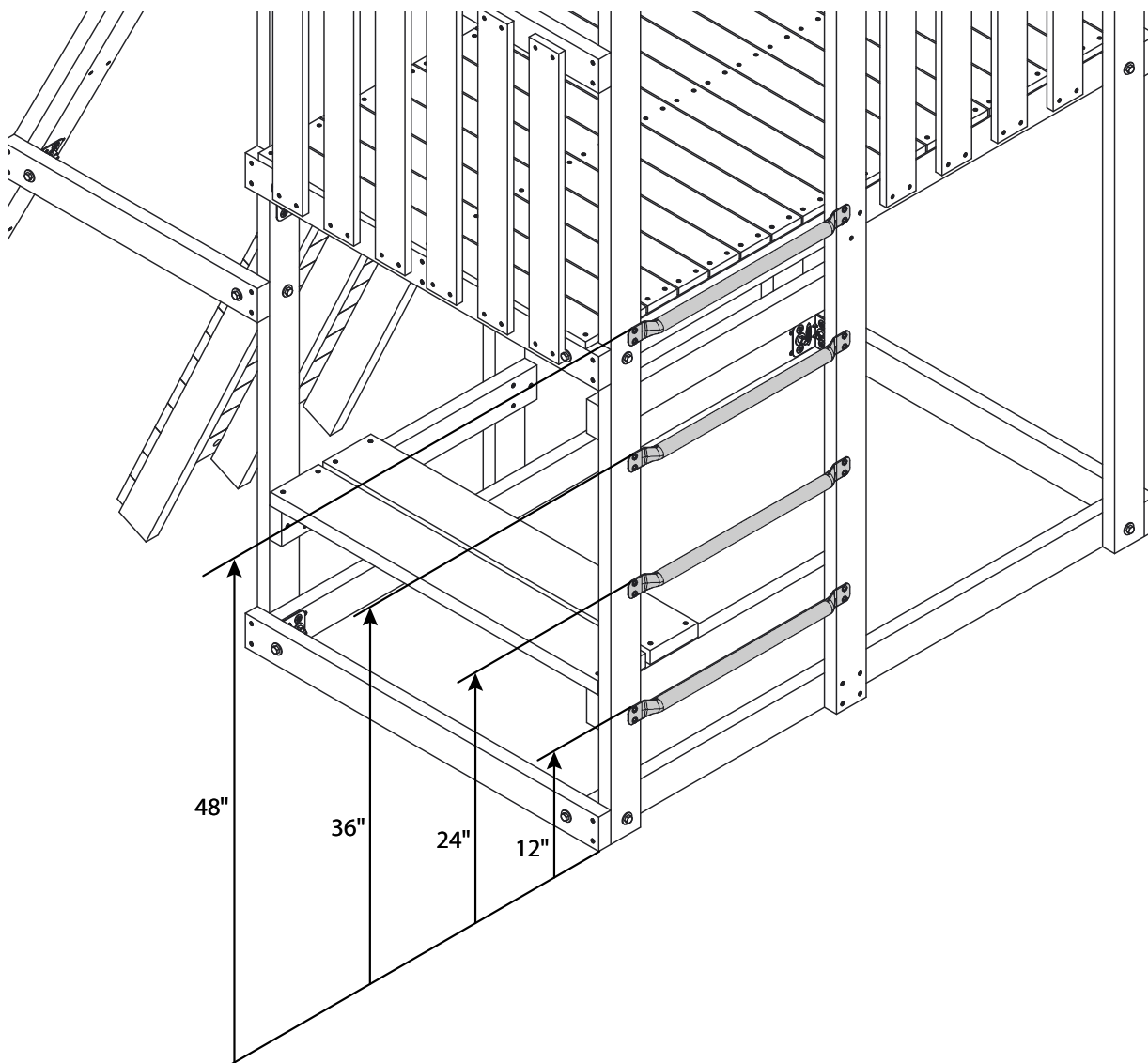
**Items for STEP 38:**

- (4) Climbing Bars
- (16) #14 x 1 1/4" pan head screws

Attach Climbing Bars at dimensions shown.

Use the bar as a drill guide and drill 1/8" holes 1" deep into the board.

Attach with #14 x 1 1/4" pan head screws.



# ANCHORING STARTER & BRONZE DESIGN

## Items for **STEP 39:**

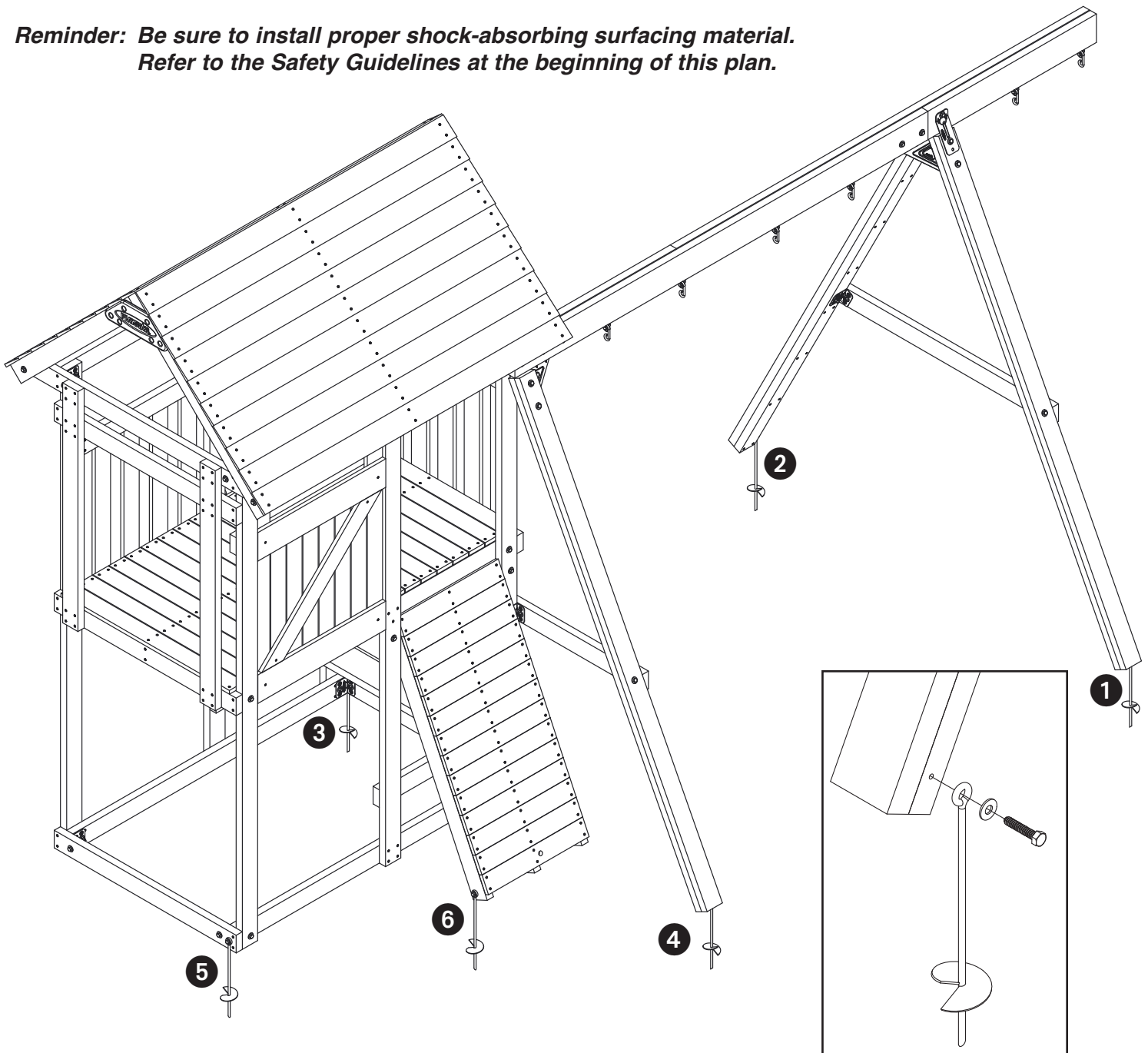
- (6) Playset Anchors
- (6)  $\frac{3}{8}$ " x 1 $\frac{1}{2}$ " lag screws
- (6)  $\frac{3}{8}$ " washers

At locations shown screw Playset Anchors into ground by hand (a long screwdriver will help).

Use the anchor as a drill guide and drill a  $\frac{1}{4}$ " hole 1" deep into the board. Attach with  $\frac{3}{8}$ " x 1 $\frac{1}{2}$ " lag screw and  $\frac{3}{8}$ " washer.

**Note:** *If soil conditions permit anchors to be pulled out easily, such as in sandy soil conditions, cementing is required. If your ground is too hard to screw in the anchors you can remove the earth with a shovel. Install the anchors and compact the earth as you replace it. Anchors must be placed below the level of the shock-absorbing surfacing material to prevent tripping or injury resulting from a fall.*

**Reminder:** *Be sure to install proper shock-absorbing surfacing material. Refer to the Safety Guidelines at the beginning of this plan.*



# ANCHORING SILVER & GOLD DESIGN

## Items for STEP 39:

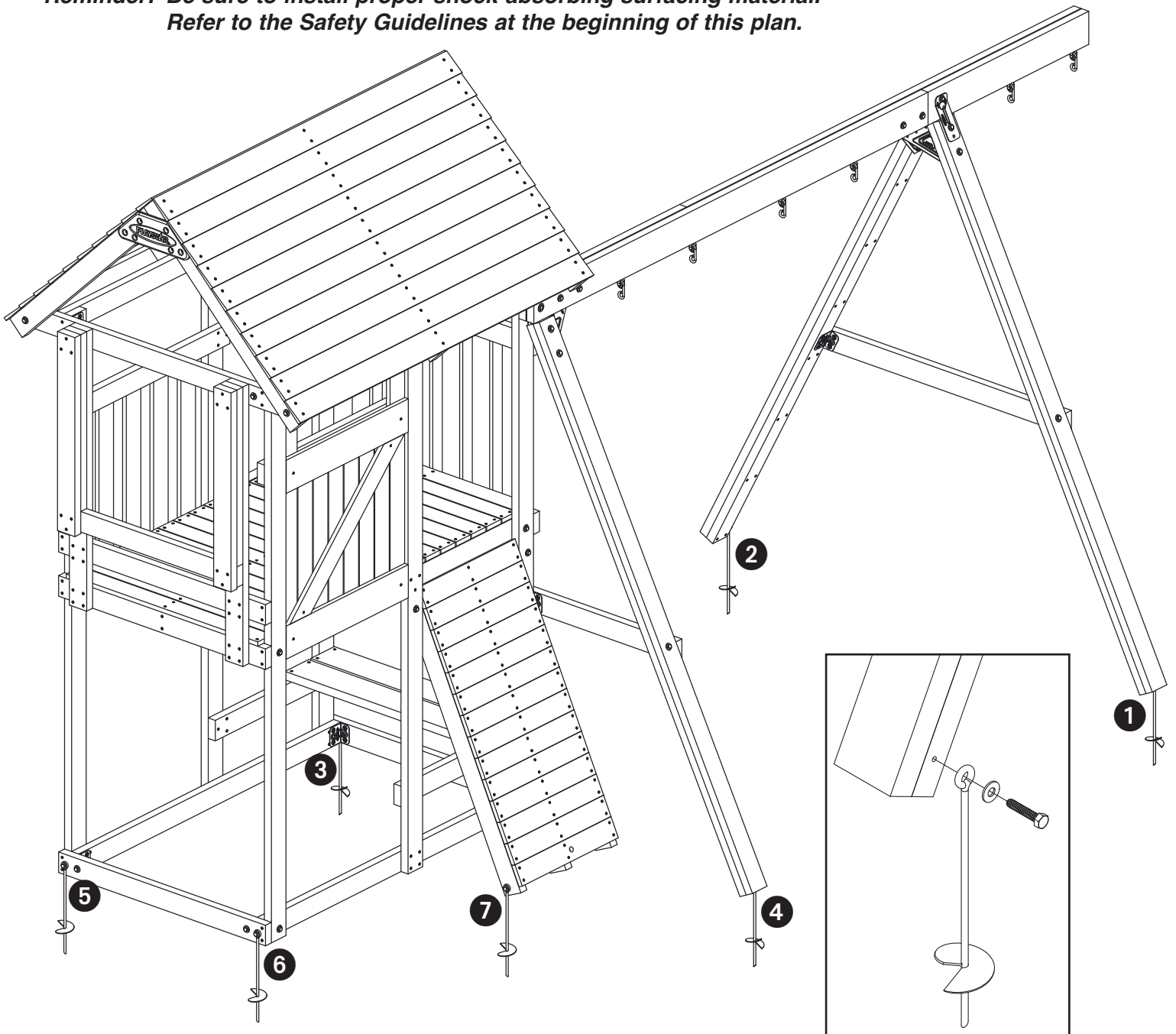
- (7) Playset Anchors
- (7)  $\frac{3}{8}$ " x 1 $\frac{1}{2}$ " lag screws
- (7)  $\frac{3}{8}$ " washers

At locations shown screw Playset Anchors into ground by hand (a long screwdriver will help).

Use the anchor as a drill guide and drill a  $\frac{1}{4}$ " hole 1" deep into the board. Attach with  $\frac{3}{8}$ " x 1 $\frac{1}{2}$ " lag screw and  $\frac{3}{8}$ " washer.

**Note:** If soil conditions permit anchors to be pulled out easily, such as in sandy soil conditions, cementing is required. If your ground is too hard to screw in the anchors you can remove the earth with a shovel. Install the anchors and compact the earth as you replace it. Anchors must be placed below the level of the shock-absorbing surfacing material to prevent tripping or injury resulting from a fall.

**Reminder:** Be sure to install proper shock-absorbing surfacing material. Refer to the Safety Guidelines at the beginning of this plan.



# SLIDE – Mounting Instructions

## STARTER & BRONZE DESIGN OPTIONS

### Items for Step 40:

- (1) Playset Anchor
- (1) 2" x 4" x 38<sup>3</sup>/<sub>4</sub>" boards
- (12) #8 x 2<sup>1</sup>/<sub>2</sub>" deck screws
- (1) 3/8" x 1<sup>1</sup>/<sub>4</sub>" hex bolt
- (2) 3/8" washers
- (1) 3/8" lock nut
- (3) #14 x 1<sup>1</sup>/<sub>4</sub>" pan head screws included with Slide

Slide 2" x 4" x 38<sup>3</sup>/<sub>4</sub>" board behind the vertical 2" x 4" x 44<sup>1</sup>/<sub>4</sub>" boards at dimension shown. Secure with #8 x 2<sup>1</sup>/<sub>2</sub>" deck screws.

Align slide at right angle (90°) to 48" play deck. Lip of slide should rest on the play deck 1<sup>1</sup>/<sub>2</sub>". Using the slide as a template, mark play deck through the three holes in the slide. Drill three 1/8" holes at marked location.

Attach slide temporarily to play deck with three #14 x 1<sup>1</sup>/<sub>4</sub>" pan head screws

Prepare level area where slide touches ground that is 1" below surrounding grade.

Locate and mark the ground on the back side, on either side of the star. Remove slide and screw Playset Anchor into the ground (a long screwdriver will help). Screw the anchor deep enough so that the loop at the top of the anchor will be flat against the back surface of slide when the slide is in the final position.

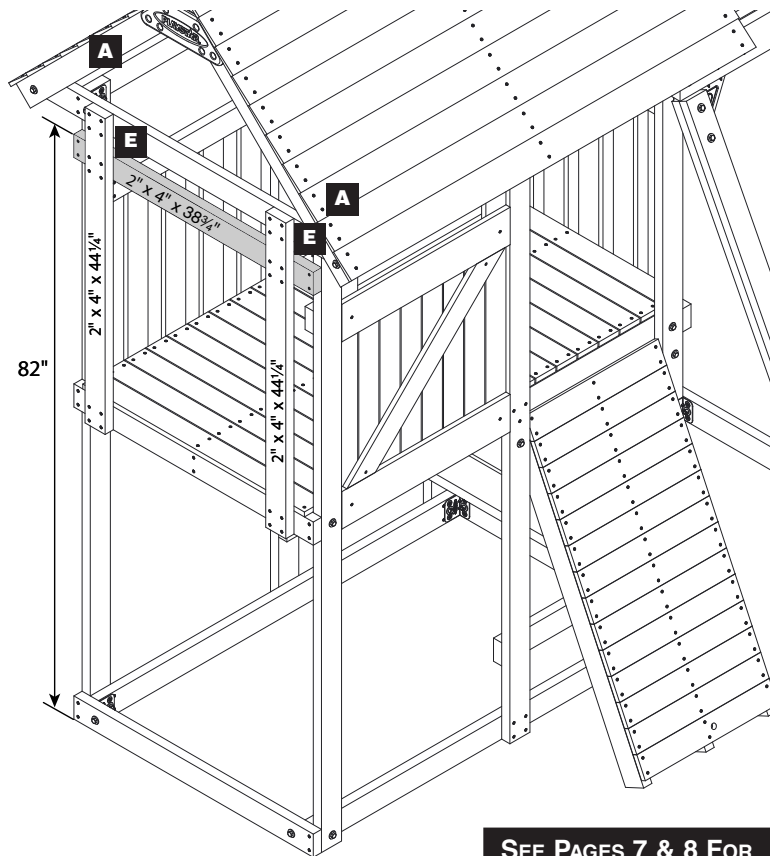
Reinstall slide permanently, attaching it to play deck using #14 x 1<sup>1</sup>/<sub>4</sub>" pan head screws.

Use the Playset Anchor as a drill guide and drill a 3/8" hole completely through the slide. Attach slide to anchor with one 3/8" x 1<sup>1</sup>/<sub>4</sub>" hex bolt, two 3/8" washers and one 3/8" lock nut provided in the anchor kit.

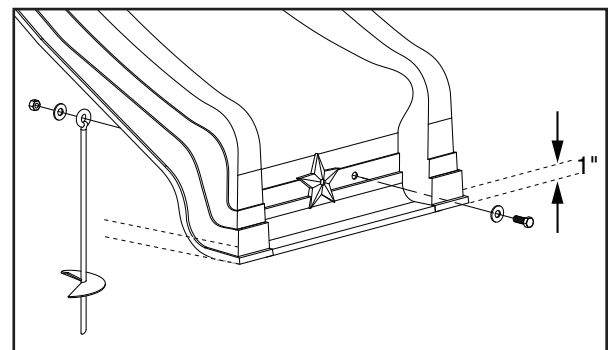
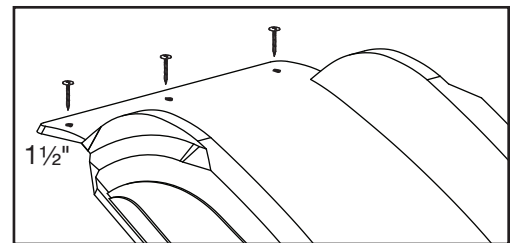
Fill in around bottom of slide to make surface level to surrounding grade.

**Caution:** Failure to anchor the Slide properly could cause serious injury from children lifting the slide.

**Caution:** Do not install this slide over concrete, asphalt, packed earth, or any other hard surface. A fall onto a hard surface can result in serious injury to the equipment user.



SEE PAGES 7 & 8 FOR HOLE PATTERNS



**Note:** Depending on your design option or components, you may have boards left.

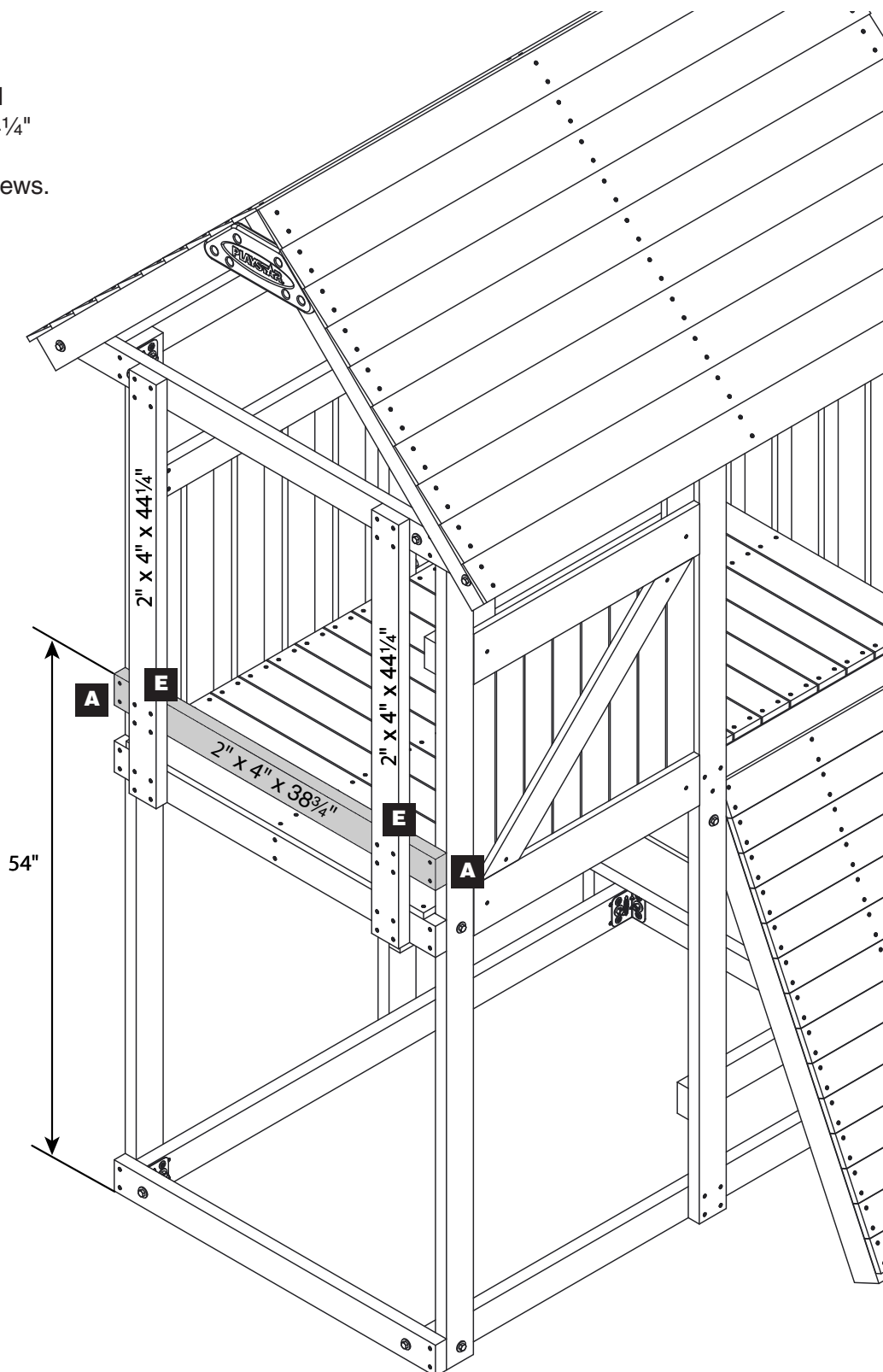


# SPIRAL TUBE SLIDE – Mounting Instructions SILVER & GOLD DESIGN OPTIONS

## Items for Step 40:

- (1) 2" x 4" x 38¾" boards
- (12) #8 x 2½" deck screws

Slide one 2" x 4" x 38¾" board behind the vertical 2" x 4" x 44¼" boards at dimension shown. Secure with #8 x 2½" deck screws.



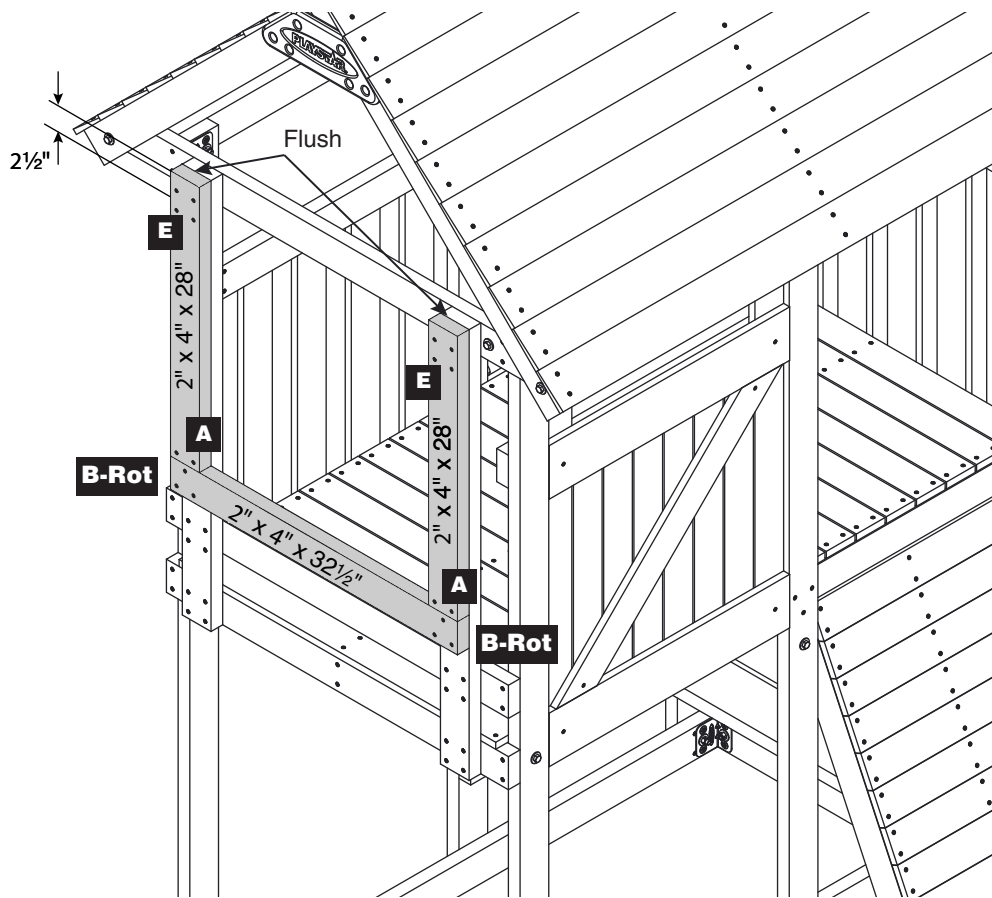
SEE PAGES 7 & 8 FOR  
HOLE PATTERNS

### Items for Step 41:

- (2) 2" x 4" x 28" boards
- (1) 2" x 4" x 32½" boards
- (18) #8 x 2½" deck screws

Attach 2" x 4" x 28" boards to 2" x 4" x 44¼" boards flush at the top as shown. Secure with #8 x 2½" deck screws.

Attach 2" x 4" x 32½" board to 2" x 4" x 44¼" boards tight against 2" x 4" x 28" boards as shown. Secure with #8 x 2½" deck screws.

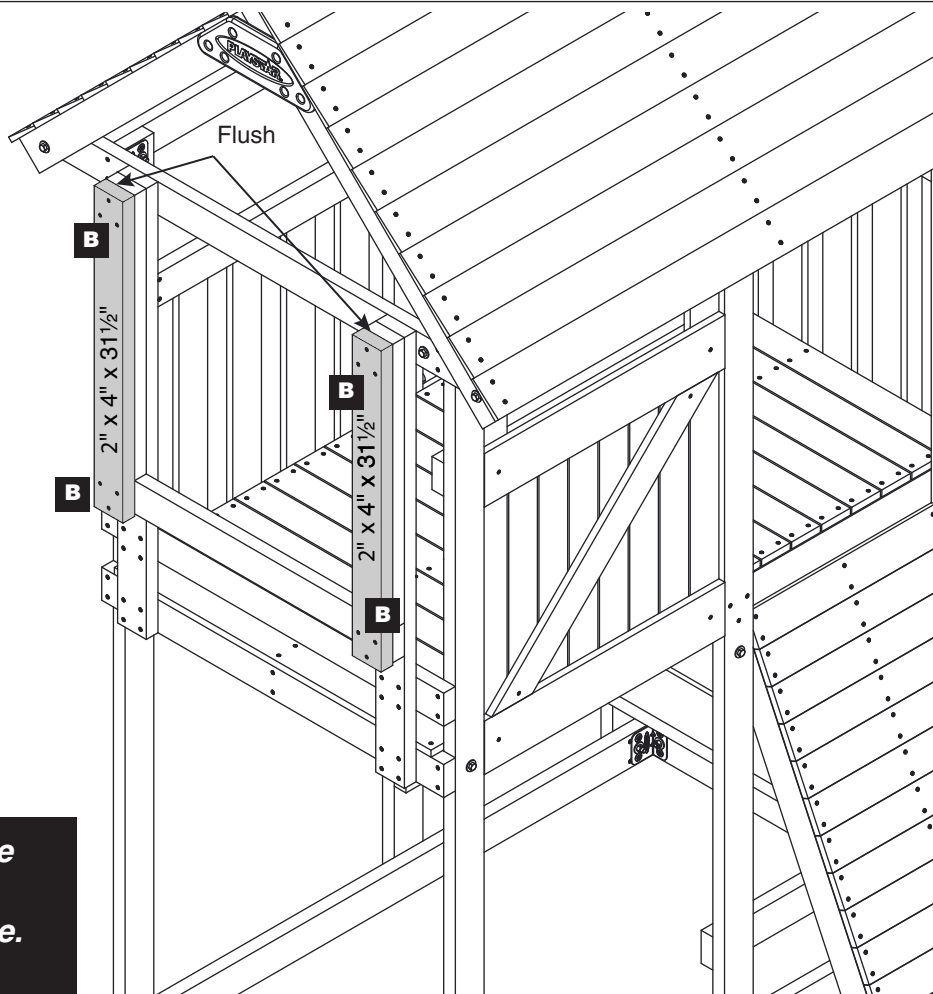


SEE PAGES 7 & 8 FOR  
HOLE PATTERNS

### Items for Step 42:

- (2) 2" x 4" x 31½" boards
- (12) #8 x 2½" deck screws

Attach 2" x 4" x 31½" boards to the boards installed in the previous step and flush at the top as shown. Secure with #8 x 2½" deck screws.



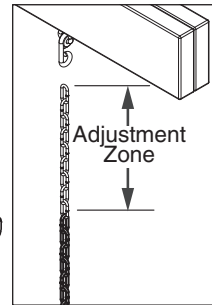
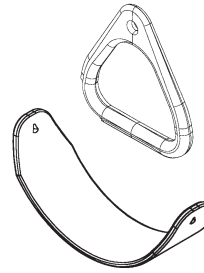
SEE PAGES 7 & 8 FOR  
HOLE PATTERNS

*Follow your Spiral Tube Slide  
Instructions for  
Assembly of Spiral Tube Slide.*

# COMPONENTS – Mounting Instructions

## SWING SEAT • GYM RINGS

1. Attach coated ends of chains onto play component using Quick-Link Connectors provided. Tighten securely with an adjustable wrench.
2. Hook uncoated ends of chain onto Swing Hangers provided.
3. Customize the height of your **swing** or **gym rings** anywhere in the *Adjustment Zone*, to fit your child.



**Warning: Failure to tighten Quick Links securely could result in injury.**

### Swing Chain Spacing:

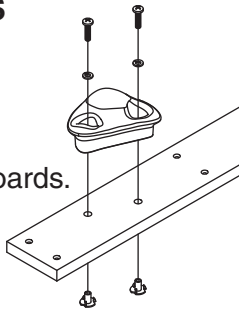
10" minimum spacing is required from the closest point of all other rides or stationary objects.

### Gym Ring Chain Spacing:

11½" minimum spacing is required from the closest point of all other rides or stationary objects.

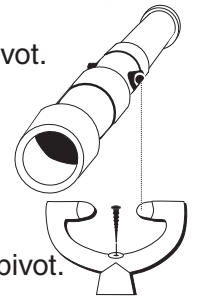
## CLIMBING ROCKS

1. Position rocks at desired location.
2. Mark pilot holes.
3. Drill ⅜" holes completely through boards.
4. Hammer in T-nuts from back side.
5. Secure with two ¼" x 1" machine screws and ¼" split lock washers provided.



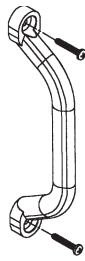
## DISCOVERY TELESCOPE

1. Determine desired location for pivot.
2. Drill a ⅛" diameter hole 1" deep.
3. Fasten pivot with #8 x 2½" deck screw provided.
4. Snap Discovery Telescope onto pivot.



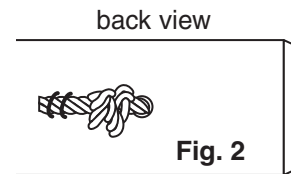
## PLAY HANDLES

1. Position Play Handle at desired location.
2. Mark pilot holes.
3. Drill ⅛" holes 1" deep.
4. Secure with #14 x 1¼" pan head screws provided.



## CLIMBING ROPE

1. Tie five knots, equally spaced, for climbing grips. (Fig. 1)
2. Insert rope through top hole and tie a knot with 4" remaining.
3. Insert opposite end through bottom hole, pull tight and tie a knot while keeping rope snug.
4. Secure both ends with staples provided (2 each end). (Fig. 2)



front view

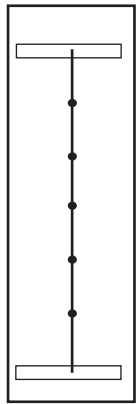


Fig. 1

USE THE INSTALLATION INSTRUCTIONS AND MOUNTING HARDWARE WHICH ARE SUPPLIED WITH THE FOLLOWING COMPONENTS.

### AIR RIDER (PS 7958)



### WATER SLIDE KIT (PS 8840)



### DECORATIVE KIT (PS 7980)



# IMPORTANT – PLEASE READ

Thank You for choosing PlayStar. Because it is our intention to make this a positive family experience, we have taken great care in preparing this product.

All boards have been properly dried, thoroughly inspected for quality and dimensionally correct prior to packaging.

Occasionally a piece of lumber may develop a slight twist or bow due to changing humidity levels during transportation or storage. If this occurs, it can be straightened when attaching boards during the assembly process.

In a rare instance a severe twist or bow may occur and cause the board to be un-usable. If this happens do not return the board to the store.

Please call our friendly Customer Service Department for immediate action.

If we can assist you in any way  
Do not return to the store.

**Please call us Toll Free at 1-888-PLAYSTAR**  
(752-9782)

Monday through Friday, 8:00 A.M. to 5:00 P.M. C.S.T.

Ask for Customer Service.

*We Will Gladly Help!*



PlayStar, Incorporated, Janesville, WI 53547

© 2013 PlayStar, Inc. Reproduction of this document in part or whole is prohibited without the permission of PlayStar, Inc.

Protected by one or more of the following United States or Foreign Patents: US D418,189; US D409,708; US D424,154; US D428,637; US 6,402,663; US D422,332; US D410,059; US 6,068,557; US 6,302,801; US 6,482,095; US 6,039,654; US D410,060; US D424,649; US 6,361,445; CA 2,304,345; US 6,540,645; US 6,709,365; US 6,942,600; US D513,779; US 6,991,550; CA D109,228; CA D109,224; CA D109,225; CA 2,304,113; US 6,629,907; US D517,636; US D518,530; US D520,590; US 520,591; US D534,613; US 7,186,183; US 7,189,034; US 7,253,951; US D548,760; US 7,304,810; CA D109,227; CA D109,226; CA D112,355; CA D113,437; CA D113,442; CA D114,067; CA D114,068; CA 2,304,896; CA D119,674; US D573,222; US 7,419,437; CA 2,304,068; CA 2,488,576; US D580,507; US D585,570; CA 2,490,923; CA 2,304,341; US 7,594,875; CA 2,304,043; CA 2,529,276; CA 2,633,628; CA 2,633,056; US 7,594,875; CA 2,498,701; CA 2,495,136; CA 2,488,600; CA 2,488,574