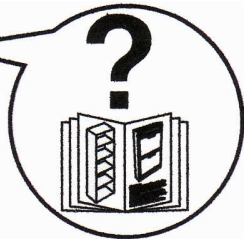
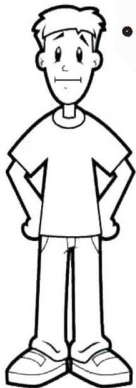
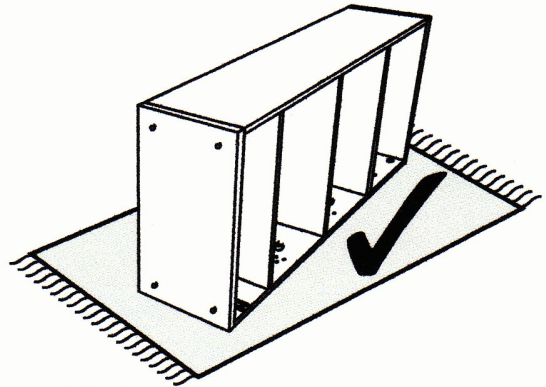
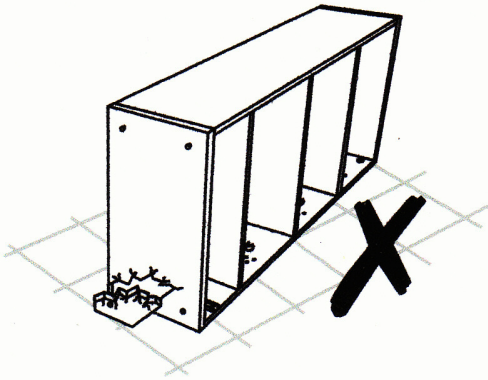
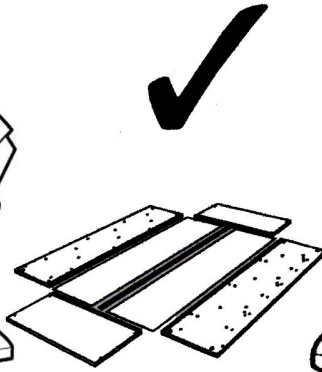
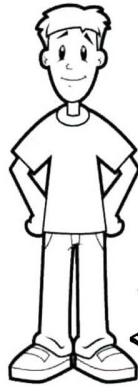
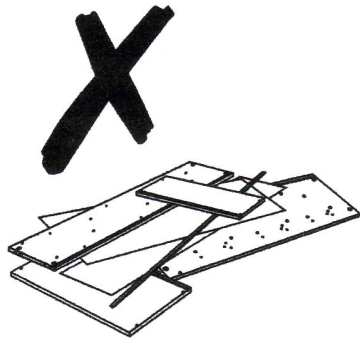
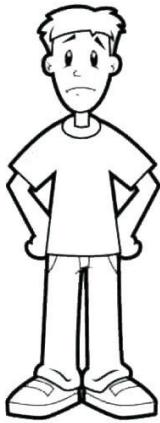
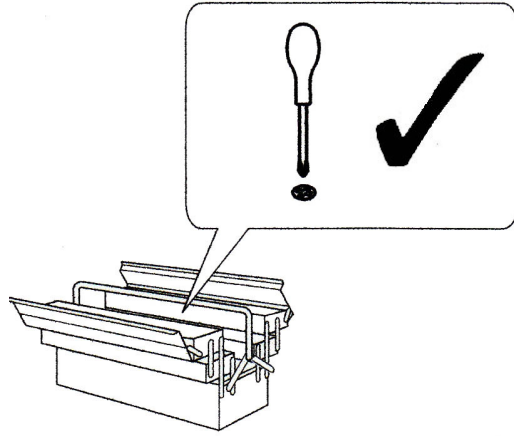


# Julian Bowen Limited

## Papplewick Bed - 90cm

### Assembly Instructions



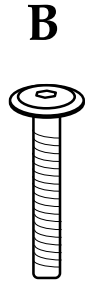


**Julian Bowen Limited**  
**(01623 727374)**

# HARDWARE



8x



2x



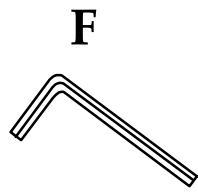
2x



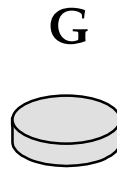
8x



8x

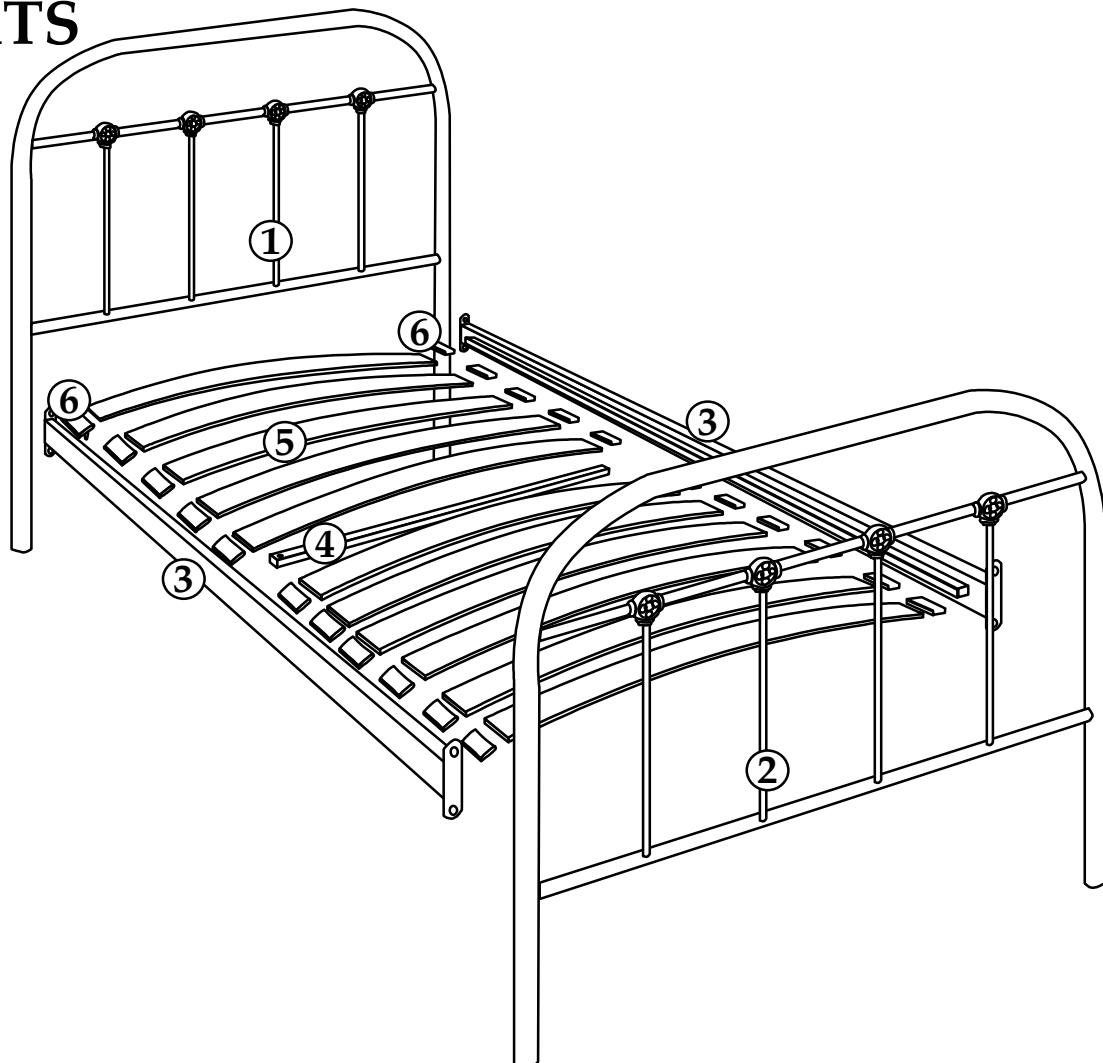


1x



4x

# PARTS



# **Safety Advice**

**Please take the time to carefully read through the whole of these instructions before you commence.**

**Keep these instructions for future reference.**

**Unpack, inspect and check off all of the contents.**

**Please dispose of all packaging safely.**

**Small component parts could choke a child if swallowed.**

**We strongly recommend that you keep children well away from the work area.**

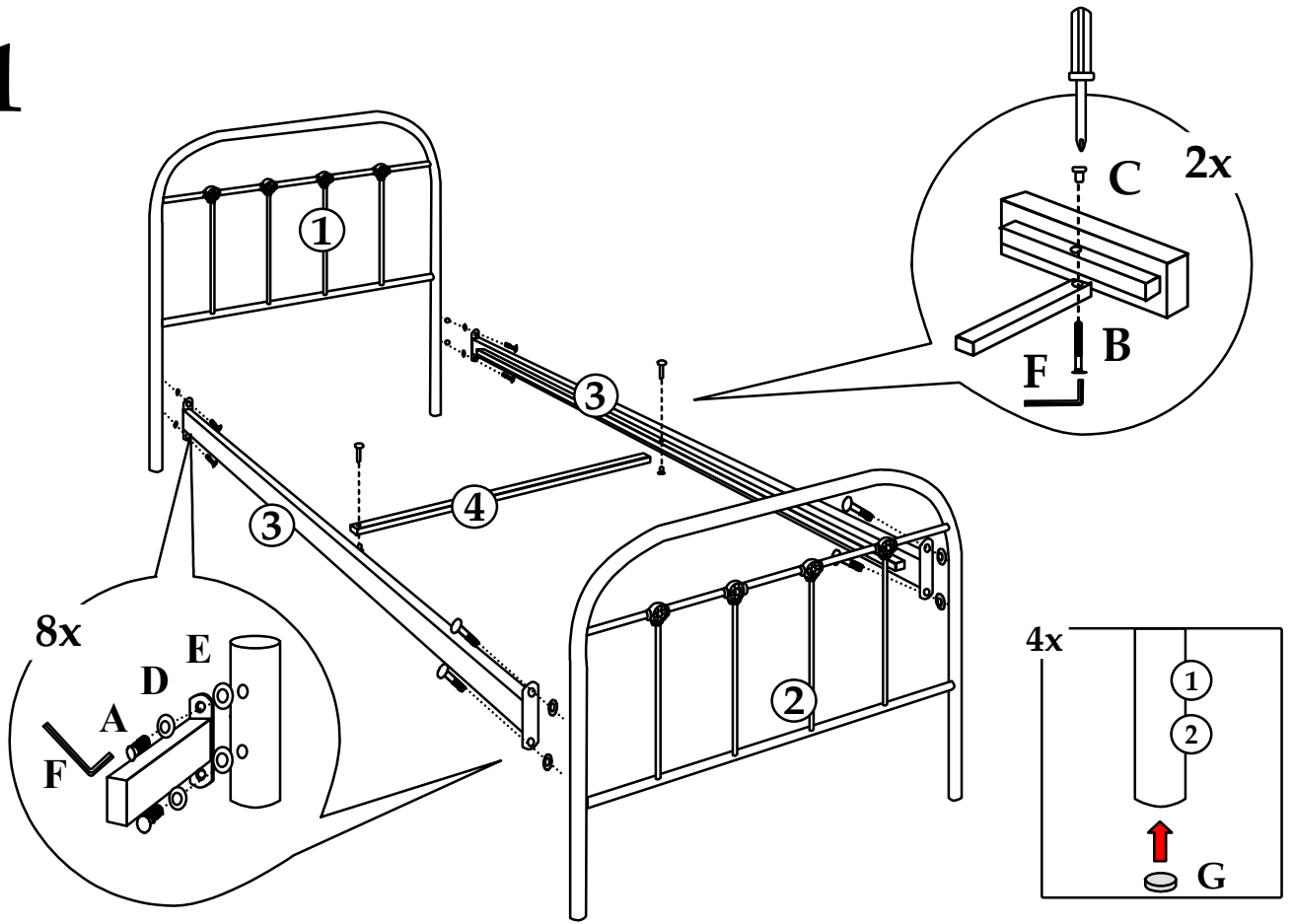
**It would be sensible to lay a sheet or blanket on the floor where you intend to work to avoid scratching this product and to protect your floor.**

**This product is heavy. Take extreme care when lifting to avoid personal injury or damage to the product.**

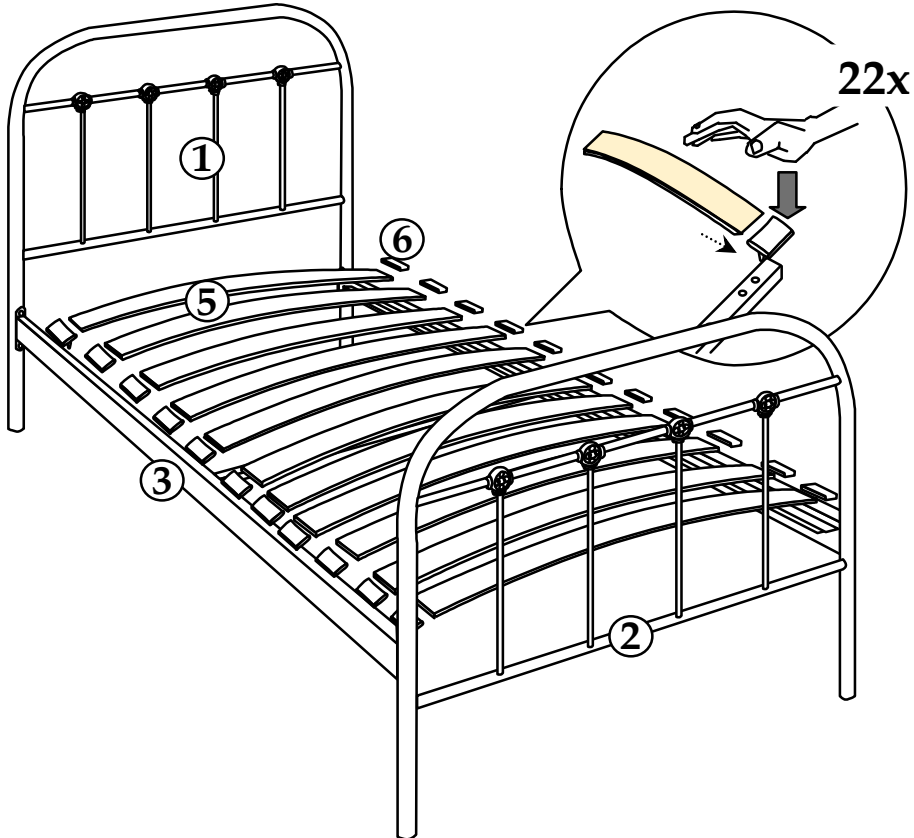
**Assemble the product as close to its intended final position in the room as possible.**

**HANDY HINT: If you keep the hardware in a bowl during assembly you will be less likely to lose them.**

# 1



# 2



## General Care

**Wipe clean with a slightly damp soft cloth.**

**Avoid the use of all household cleaners and abrasives.**

**When moving your furniture, carefully lift into place.**

**Never drag or push the pieces across the floor as this will cause damage to the joints and could result in failure to the product that will invalidate the warranty.**

## Recommendations

**Periodical re-tightening of fixings.**

## Warning

**This unit is heavy. Please use an assistant when lifting.**

## Notes

**We've tried to make this piece of furniture as easy to assemble as possible.**

**In the unlikely event that you have problems putting it together or have damaged or missing pieces, please contact our customer services on 01623 727374**

**Julian Bowen Limited**

**Bentinck House, Park Lane Business Park, Kirkby-in-Ashfield, Notts, NG17 9LE**

**[www.julian-bowen.co.uk](http://www.julian-bowen.co.uk)**