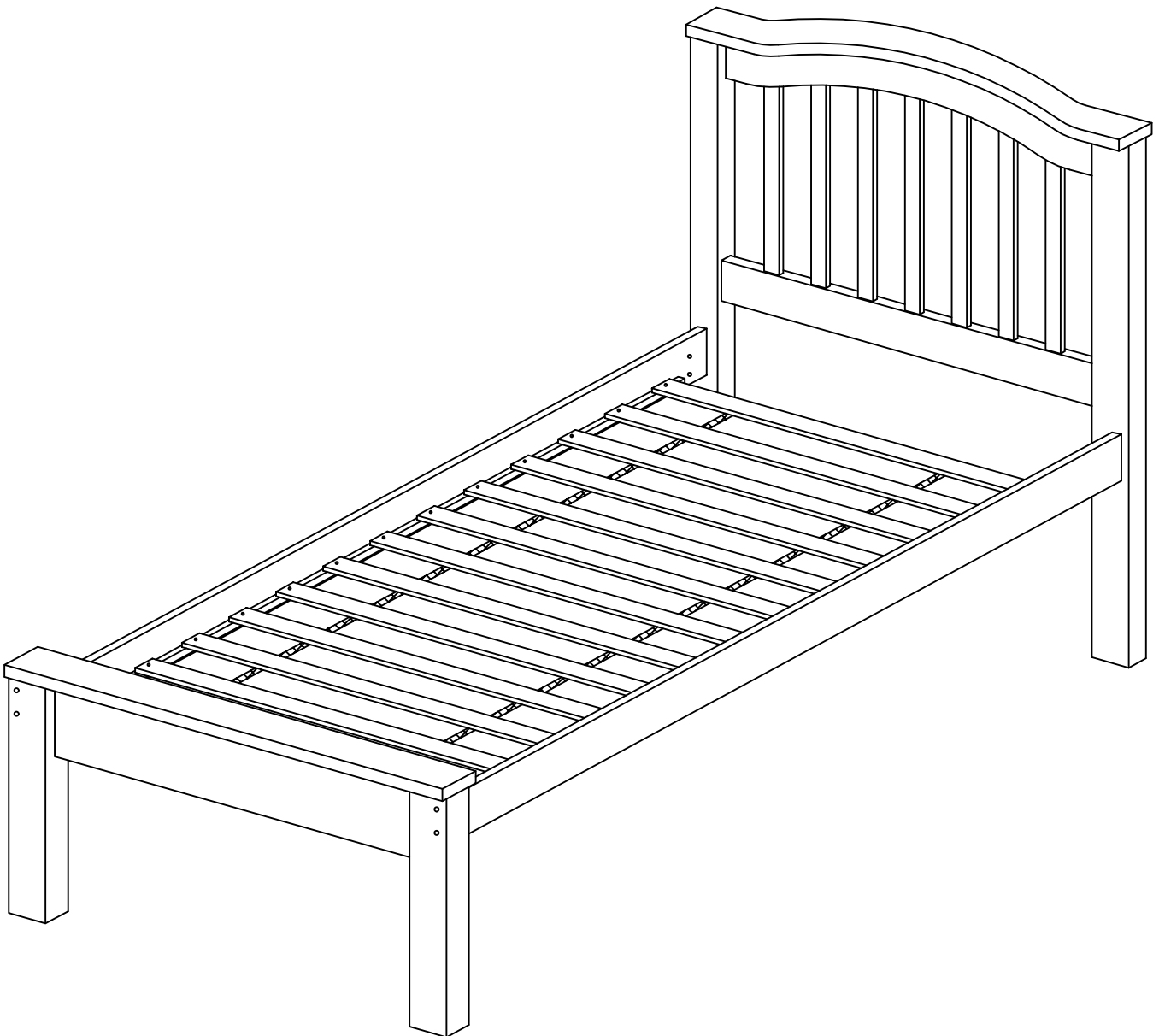
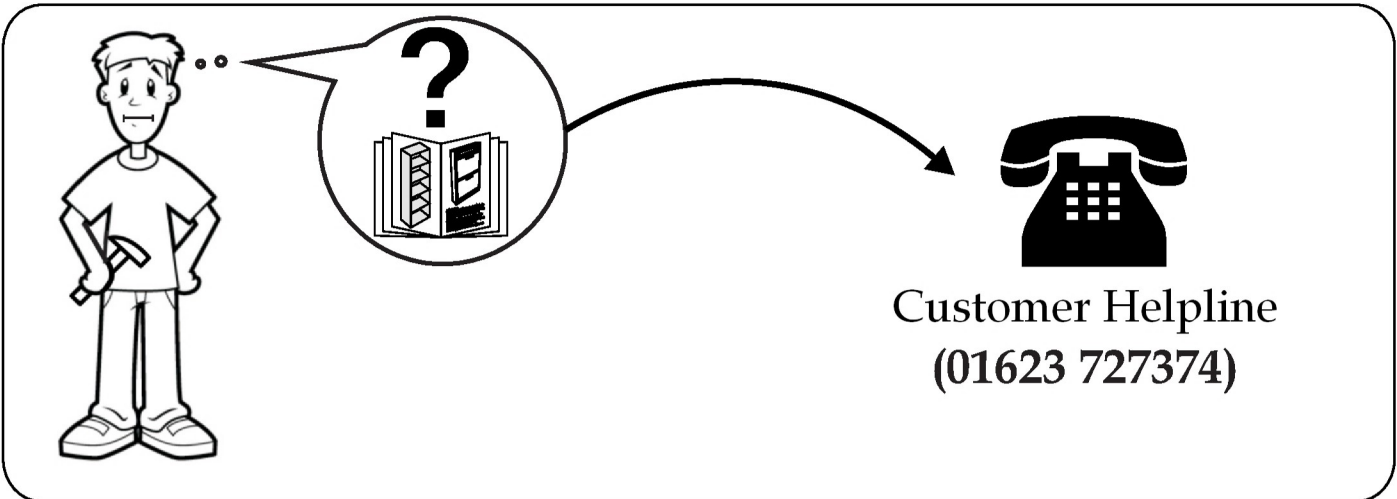
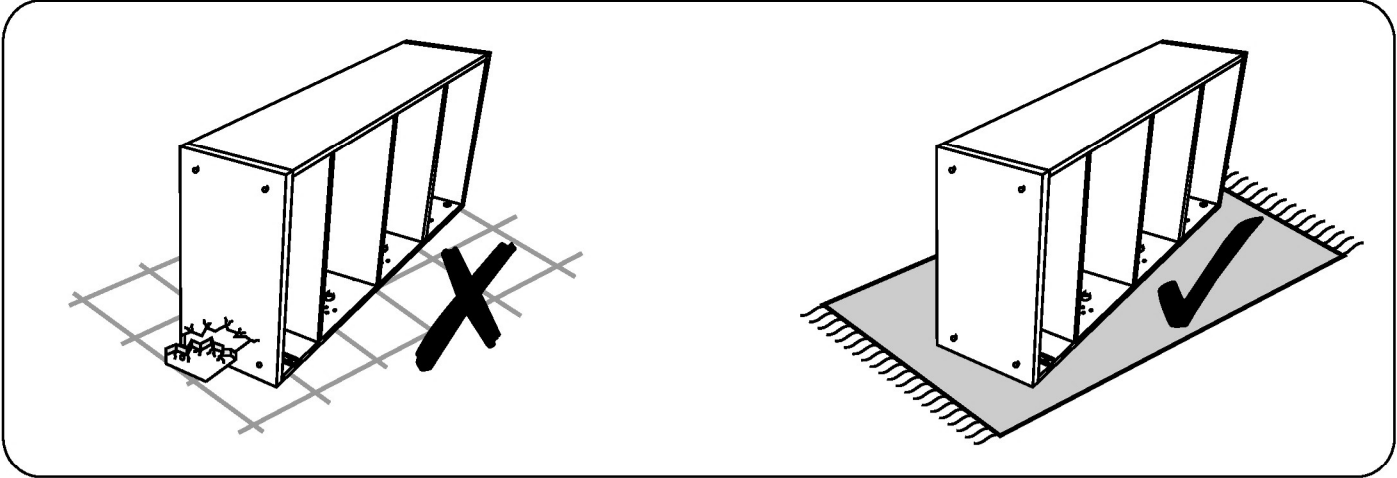
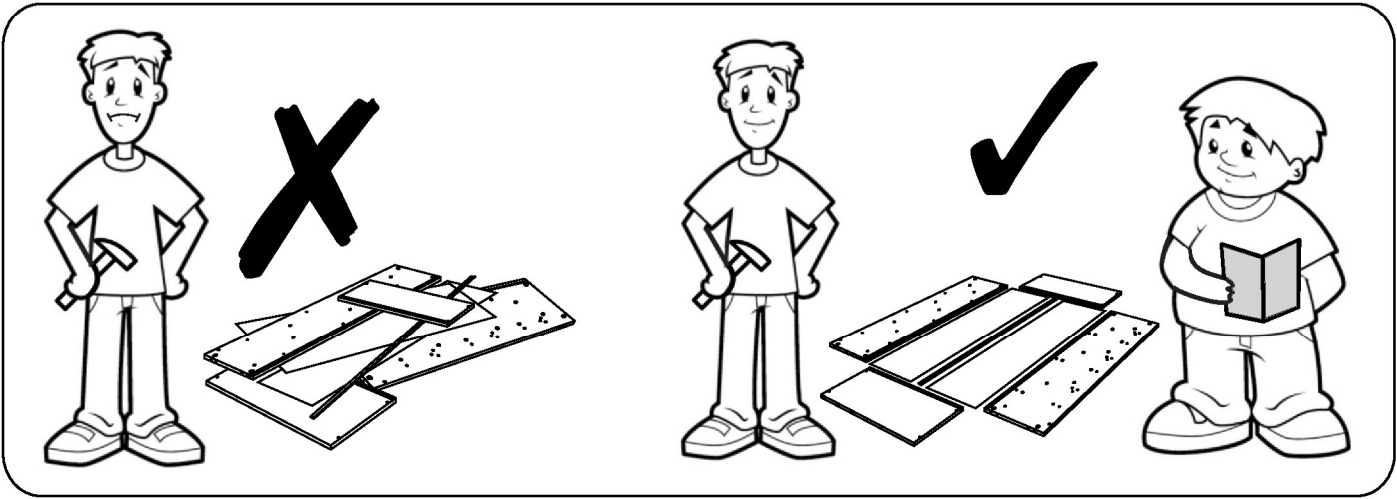
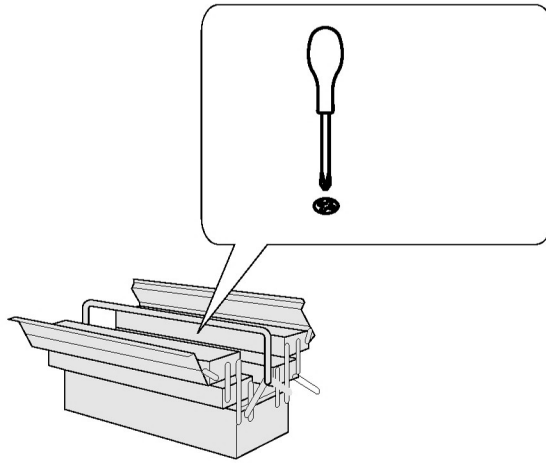
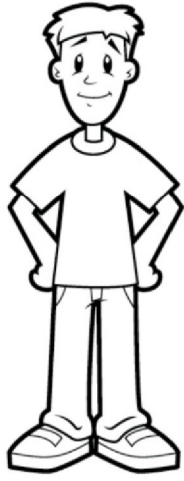


IMPORTANT - READ CAREFULLY-RETAIN
FOR FUTURE REFERENCE

Bed 90cm

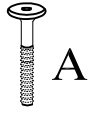
Assembly Instructions





HARDWARE

JCBC
M6 x 80mm



A

8x

Barrel Nut
M6 x 15mm



B

8x

Wood Dowel
M10 x 40mm



C

4x

Csk
M4 x 25mm



D

24x

M4
Allen Key



E

1x

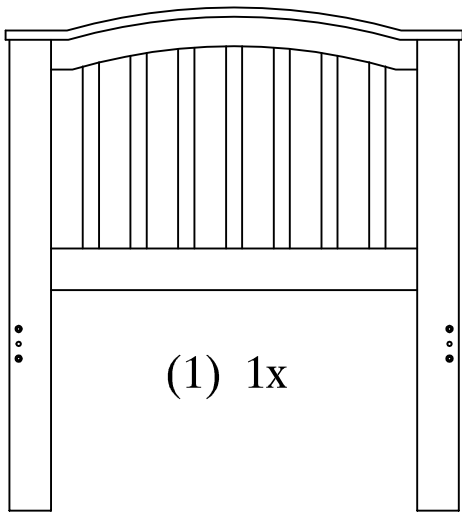
Pad



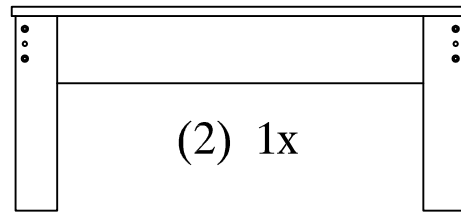
F

4x

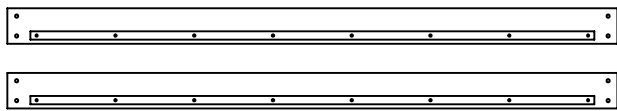
PARTS



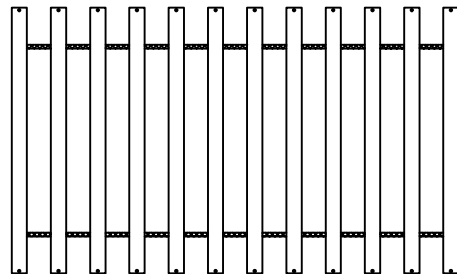
(1) 1x



(2) 1x



(3) 2x



(4) 1x

Safety Advice

Please take the time to carefully read through the whole of these instructions before you commence.

Keep these instructions for future reference.

Unpack, inspect and check off all of the contents.

Please dispose of all packaging safely.

Small component parts could choke a child if swallowed.

We strongly recommend that you keep children well away from the work area.

It would be sensible to lay a sheet or blanket on the floor where you intend to work to avoid scratching this product and to protect your floor.

This product is heavy. Take extreme care when lifting to avoid personal injury or damage to the product.

Assemble the product as close to its intended final position in the room as possible.

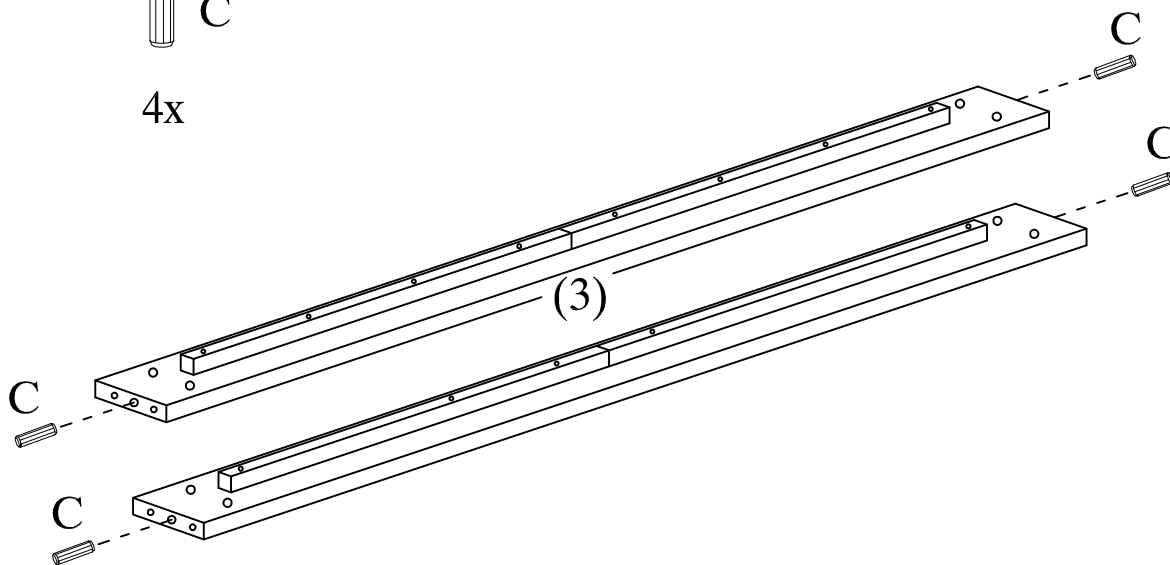
HANDY HINT : If you keep the hardware in a bowl during assembly you will be less likely to lose them.

1

Wood Dowel
M10 x 40mm



4x



2

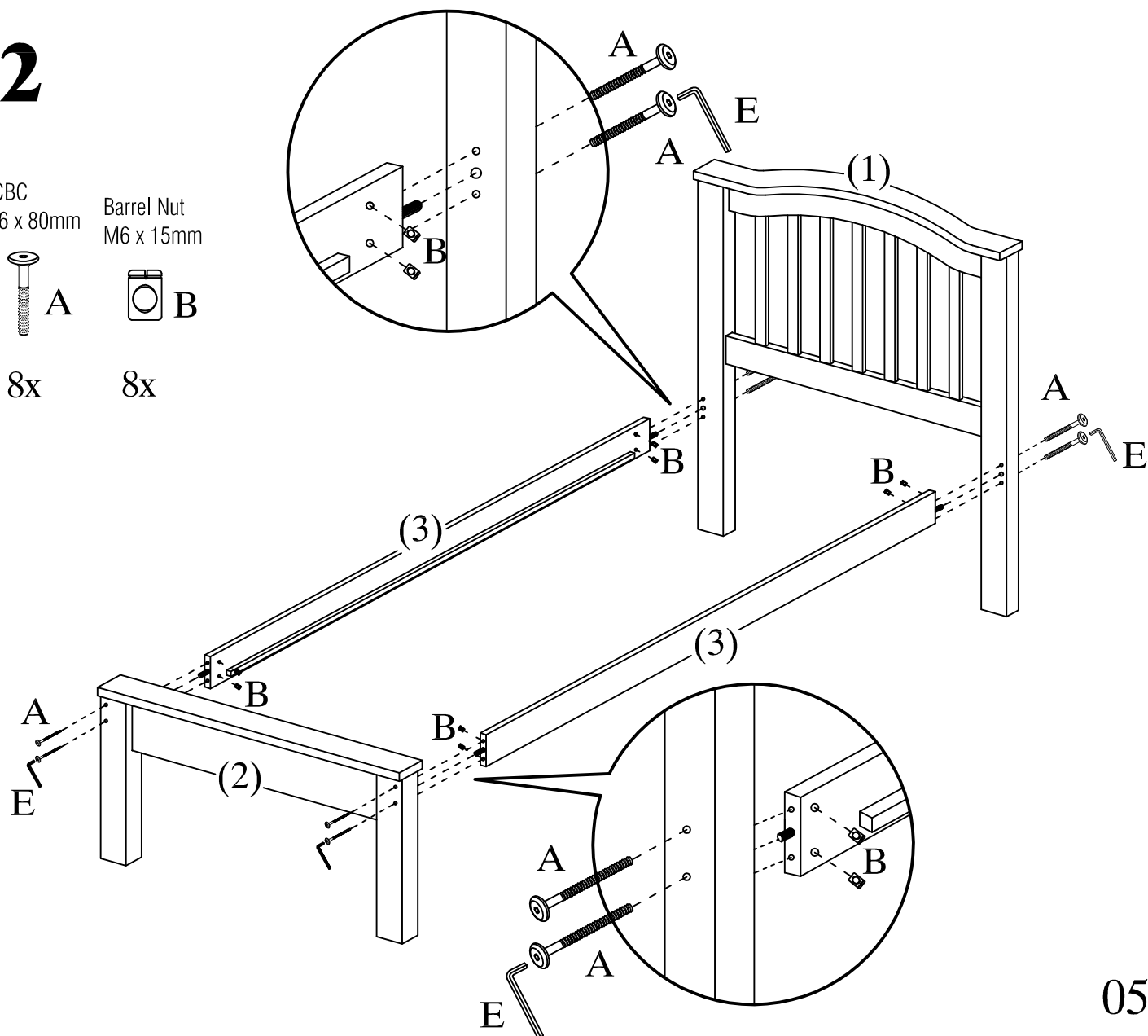
JCBC
M6 x 80mm

Barrel Nut
M6 x 15mm



8x

8x



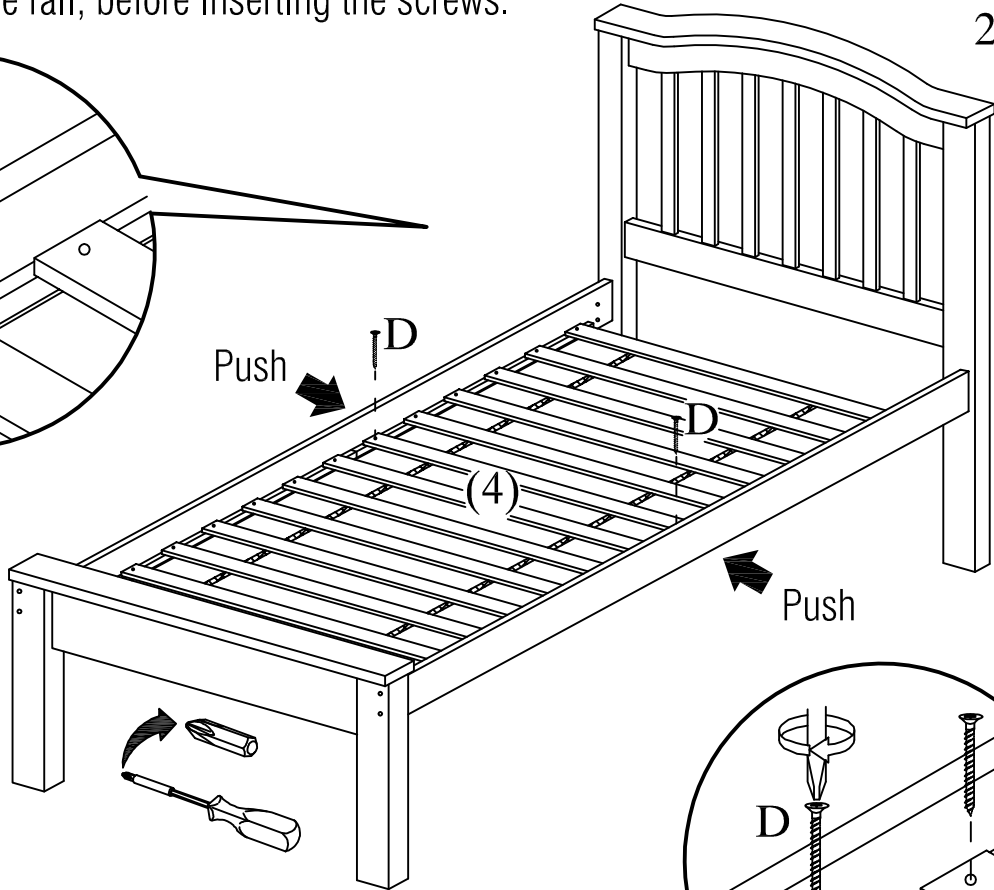
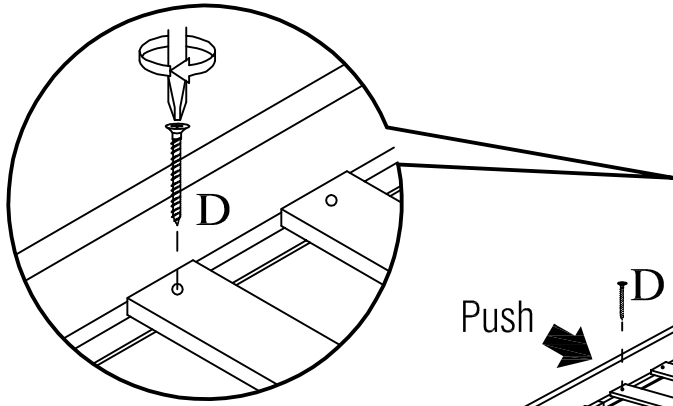
3

Attach the centre slat first by pushing the side rails together so that the slat is flush against the side rail, before inserting the screws.

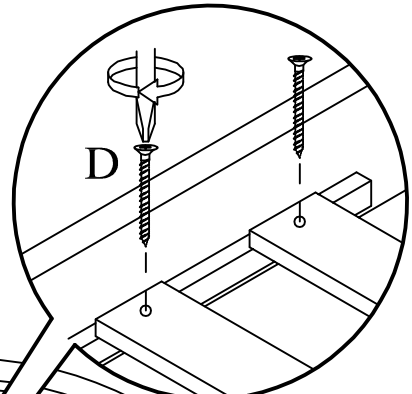
Csk
M4 x 25mm



2x



Do Not Use Power Tools



4

Csk
M4 x 25mm



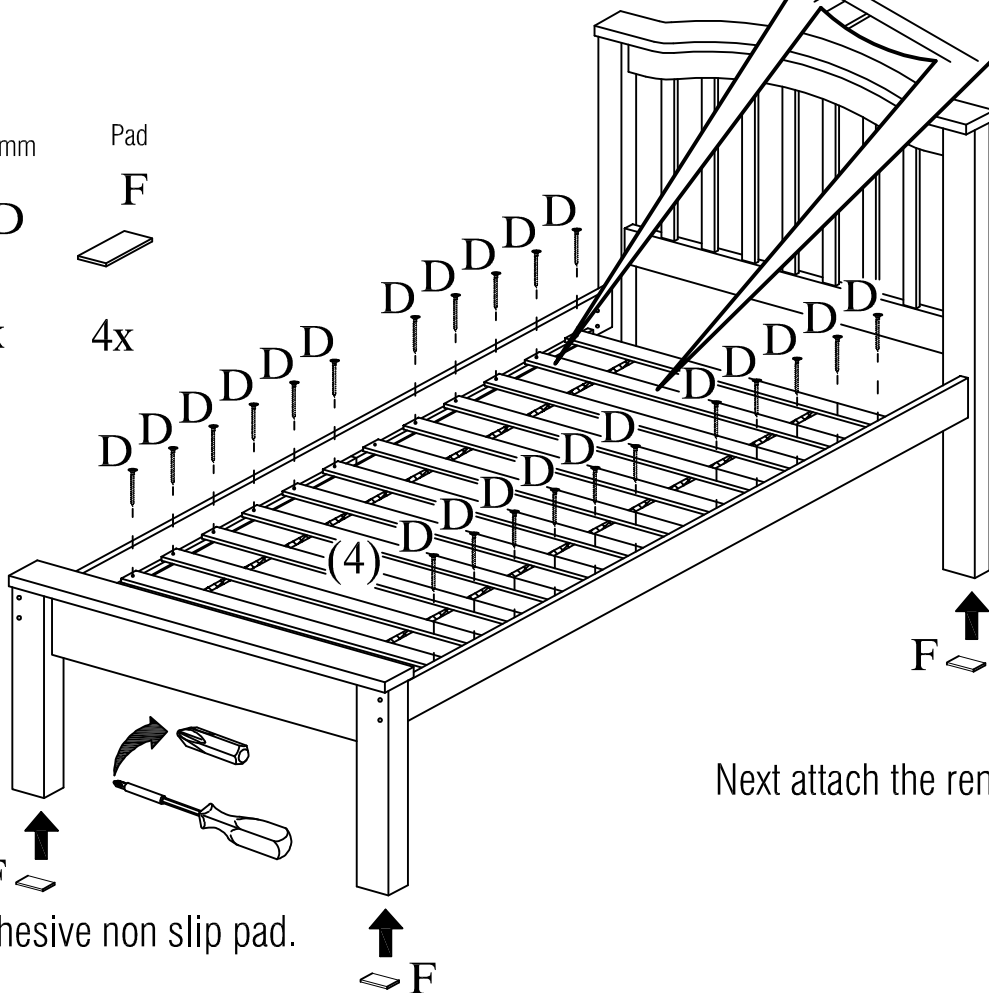
22x

Pad

F



4x



Next attach the remaining slats.

Adhesive non slip pad.

General Care

Wipe clean with a slightly damp soft cloth.

Avoid the use of all household cleaners and abrasives.

When moving your furniture, carefully lift into place.

Never drag or push the pieces across the floor as this will cause damage to the joints and could result in failure to the product that will invalidate the warranty.

Recommendations

Periodical re-tightening of fixing.

Warning

This unit is heavy. Please use an assistant when lifting.

Notes

We've tried to make this piece of furniture as easy to assemble as possible.

In the unlikely event that you have problems putting it together or have damaged or missing pieces, please contact our customer services on 01623 727374