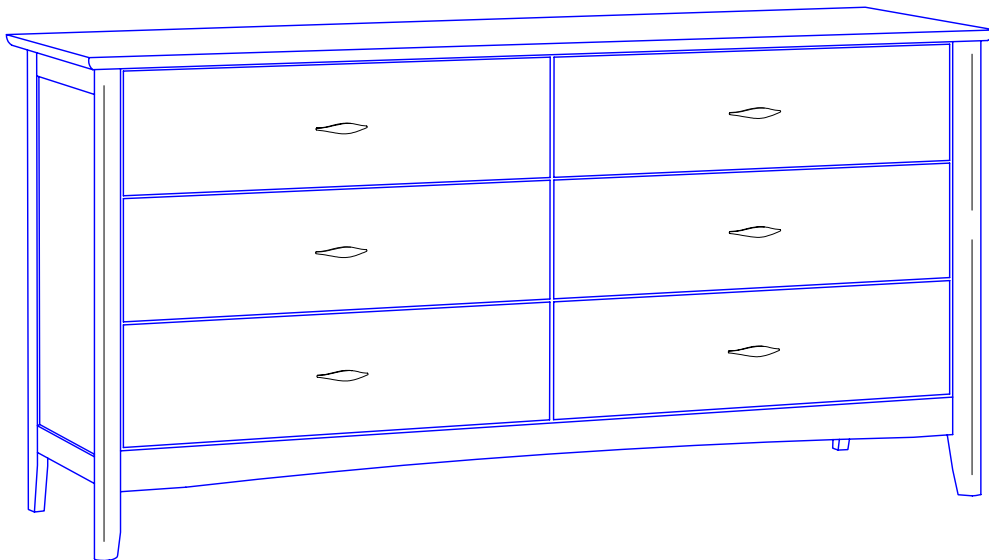
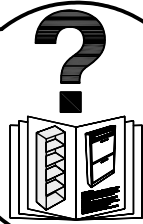
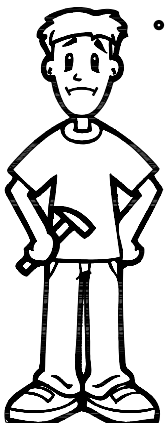
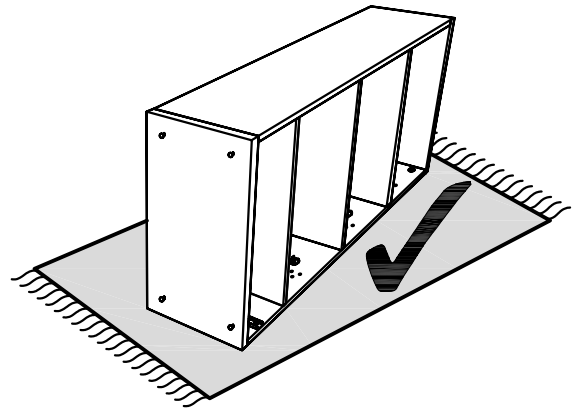
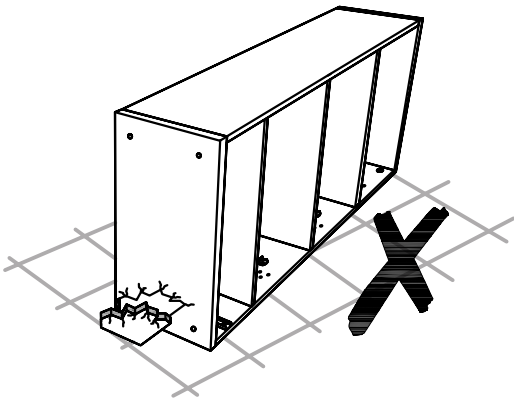
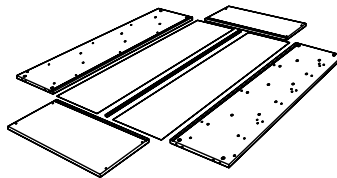
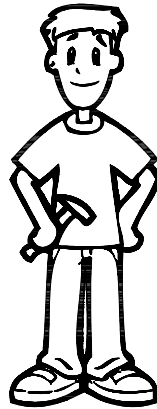
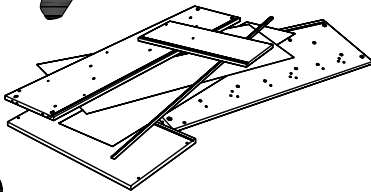
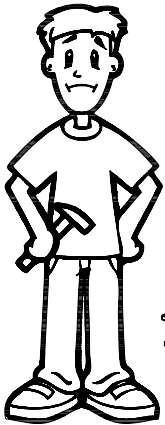
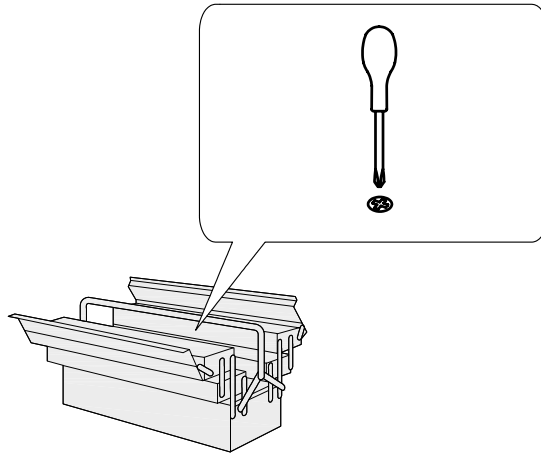
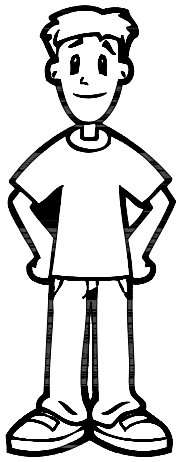


Julian Bowen Limited

Minuet 6 Drawer Chest

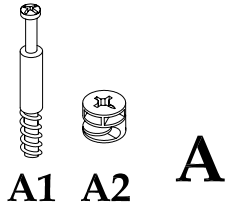
Assembly Instructions



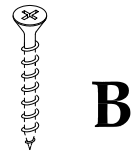


Julian Bowen Limited
(01623 727374)

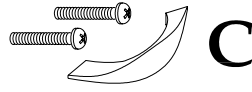
HARDWARE



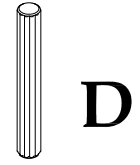
10x



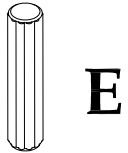
35x



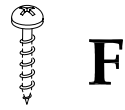
6x



72x



6x

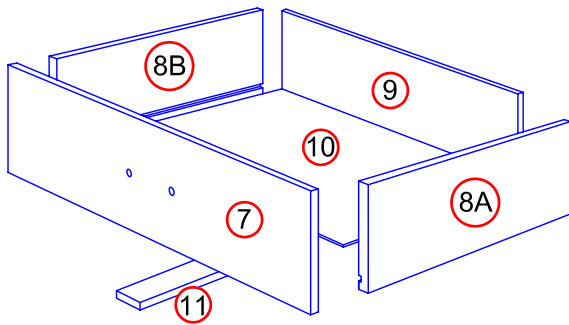


18x

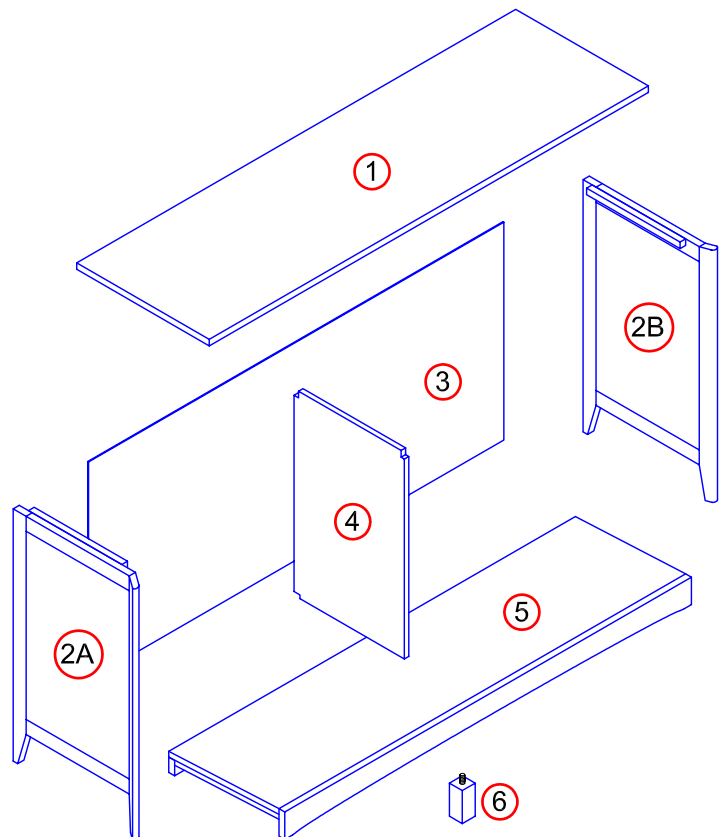


1x

PARTS



6x



Safety Advice

Please take the time to carefully read through the whole of these instructions before you commence.

Keep these instructions for future reference.

Unpack, inspect and check off all of the contents.

Please dispose of all packaging safely.

Small component parts could choke a child if swallowed.

We strongly recommend that you keep children well away from the work area.

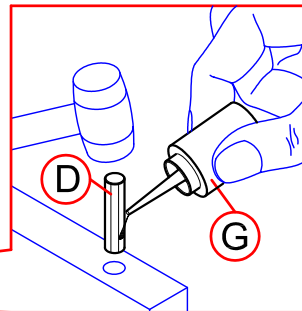
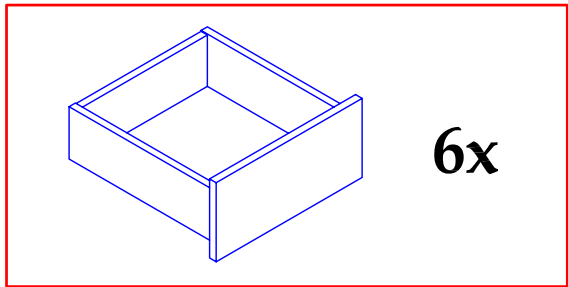
It would be sensible to lay a sheet or blanket on the floor where you intend to work to avoid scratching this product and to protect your floor.

This product is heavy. Take extreme care when lifting to avoid personal injury or damage to the product.

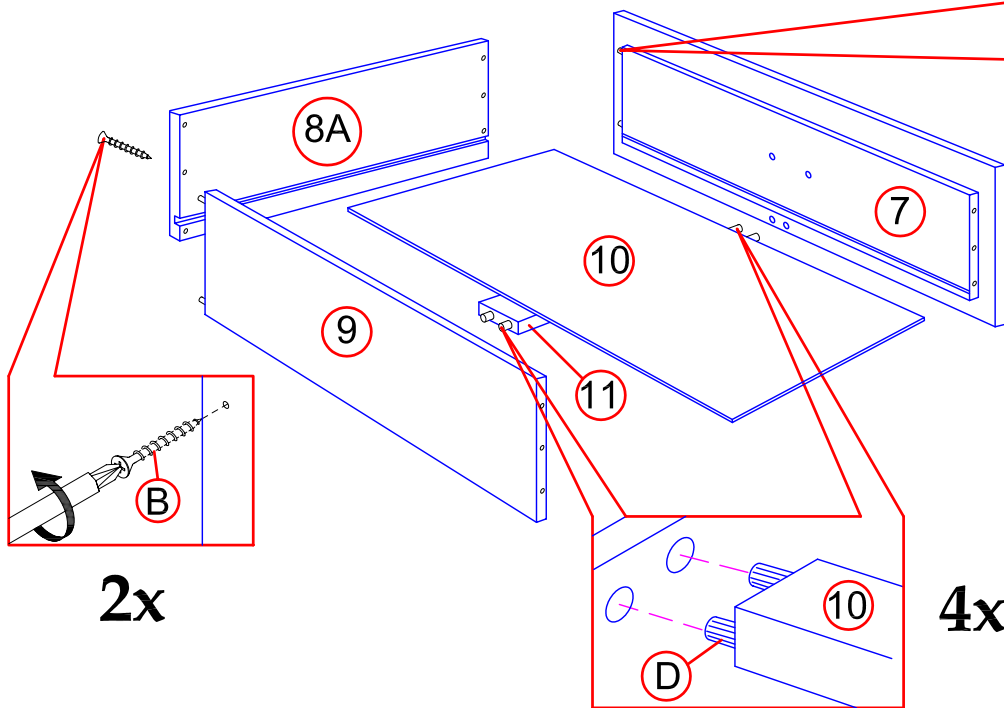
Assemble the product as close to its intended final position in the room as possible.

HANDY HINT: If you keep the hardware in a bowl during assembly you will be less likely to lose them.

1



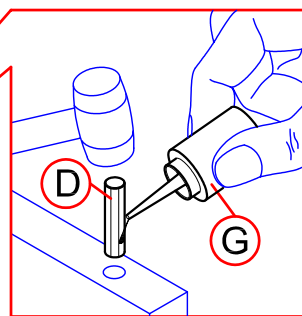
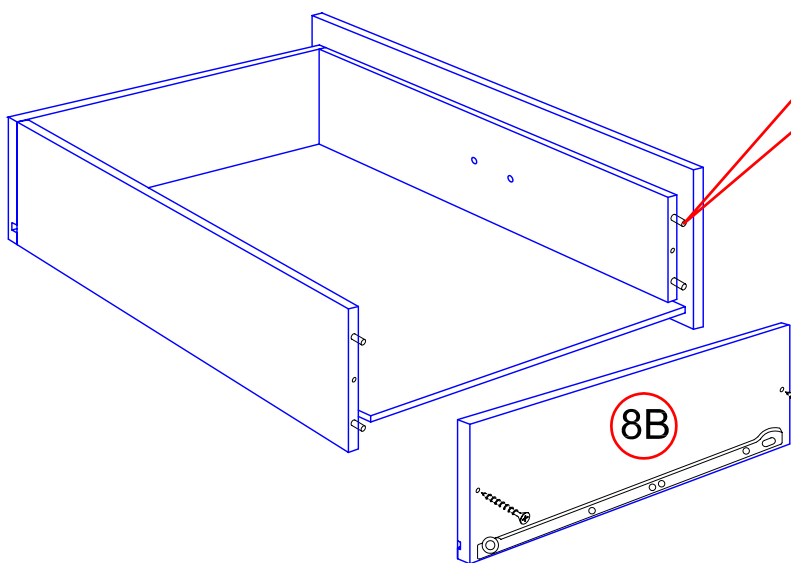
4x



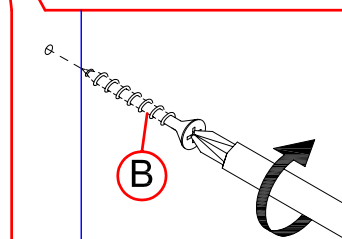
2x

4x

2

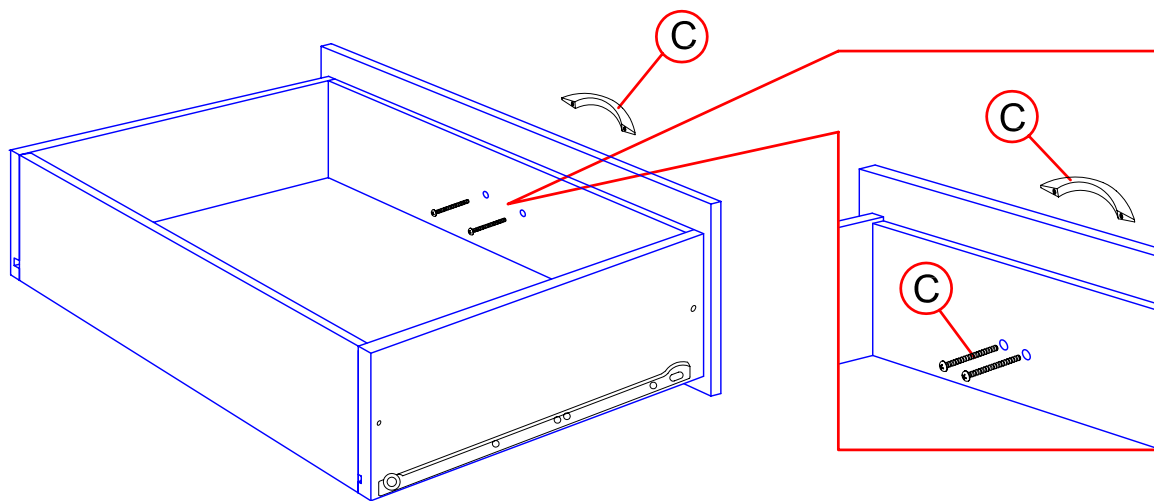


4x

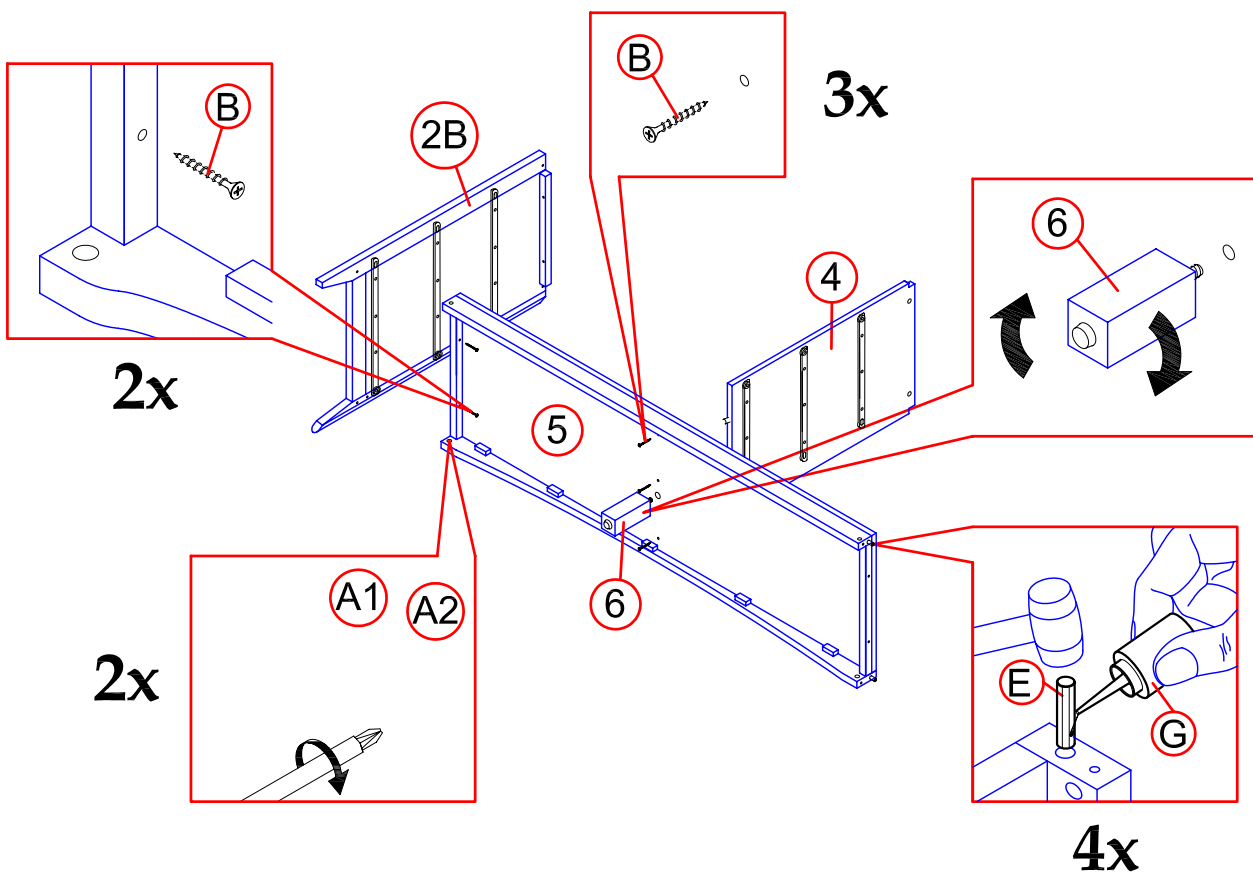


2x

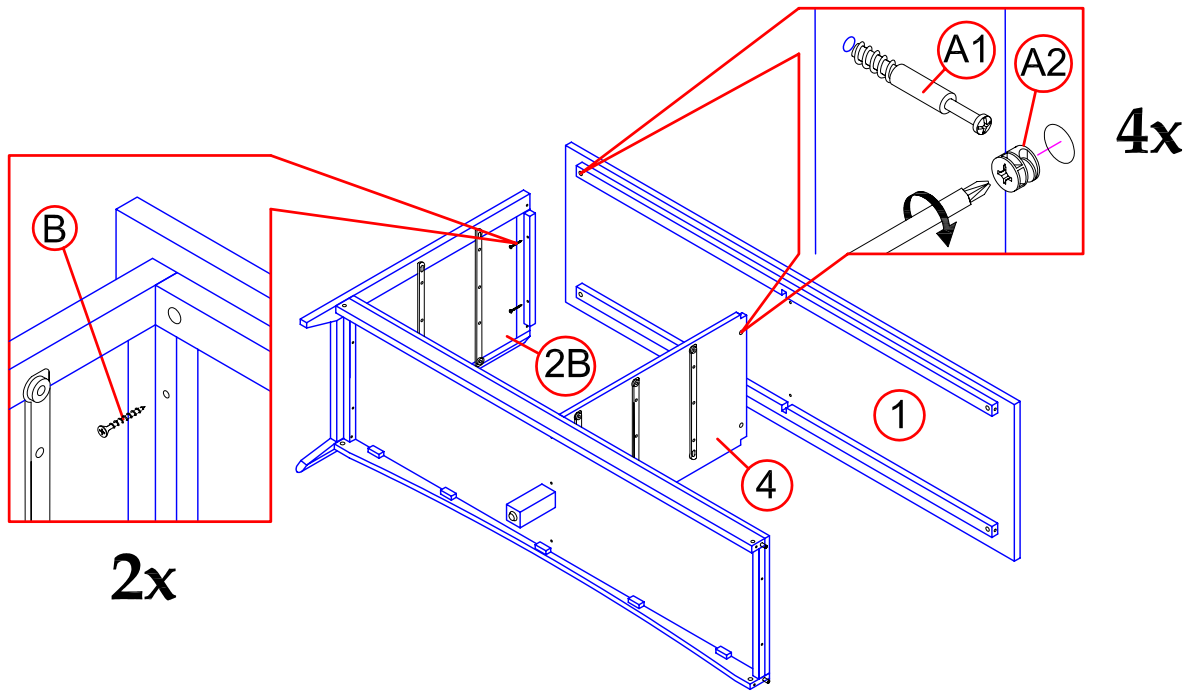
3



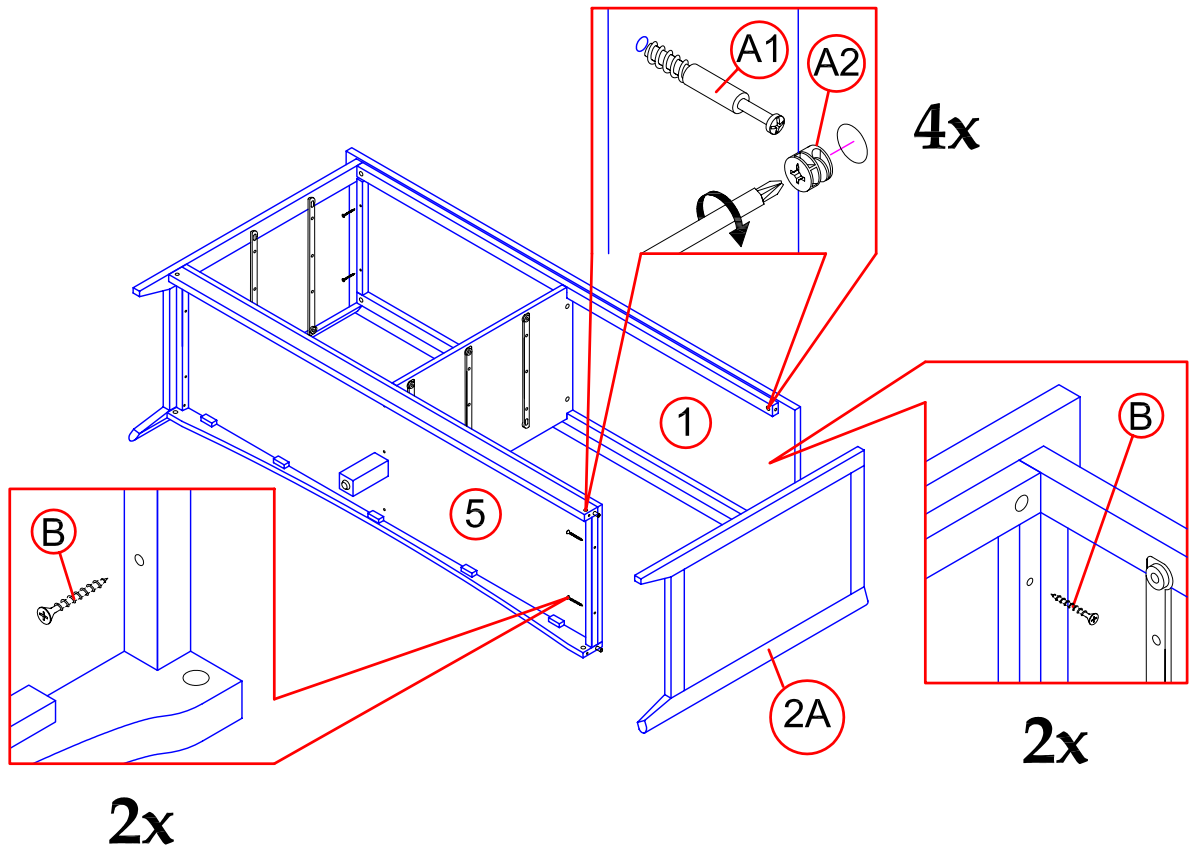
4



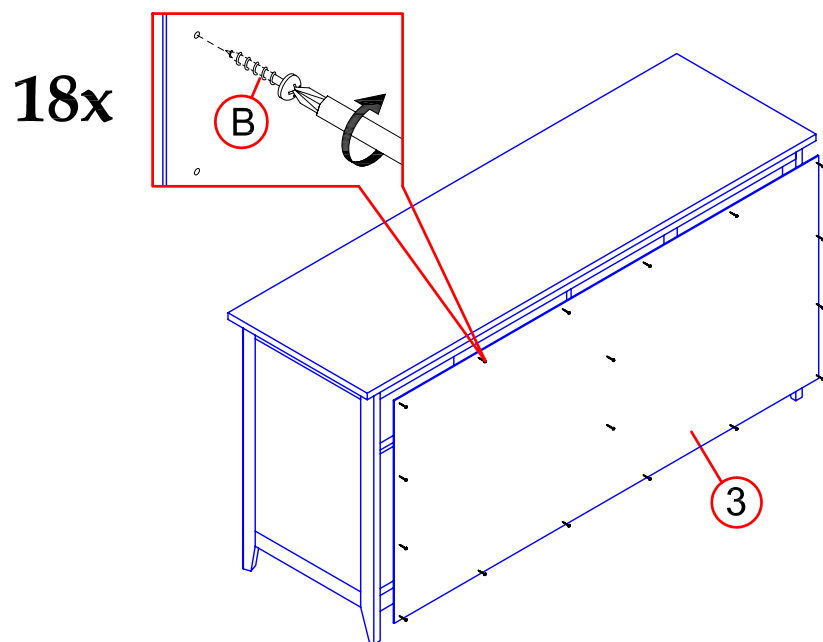
5



6



7



8

