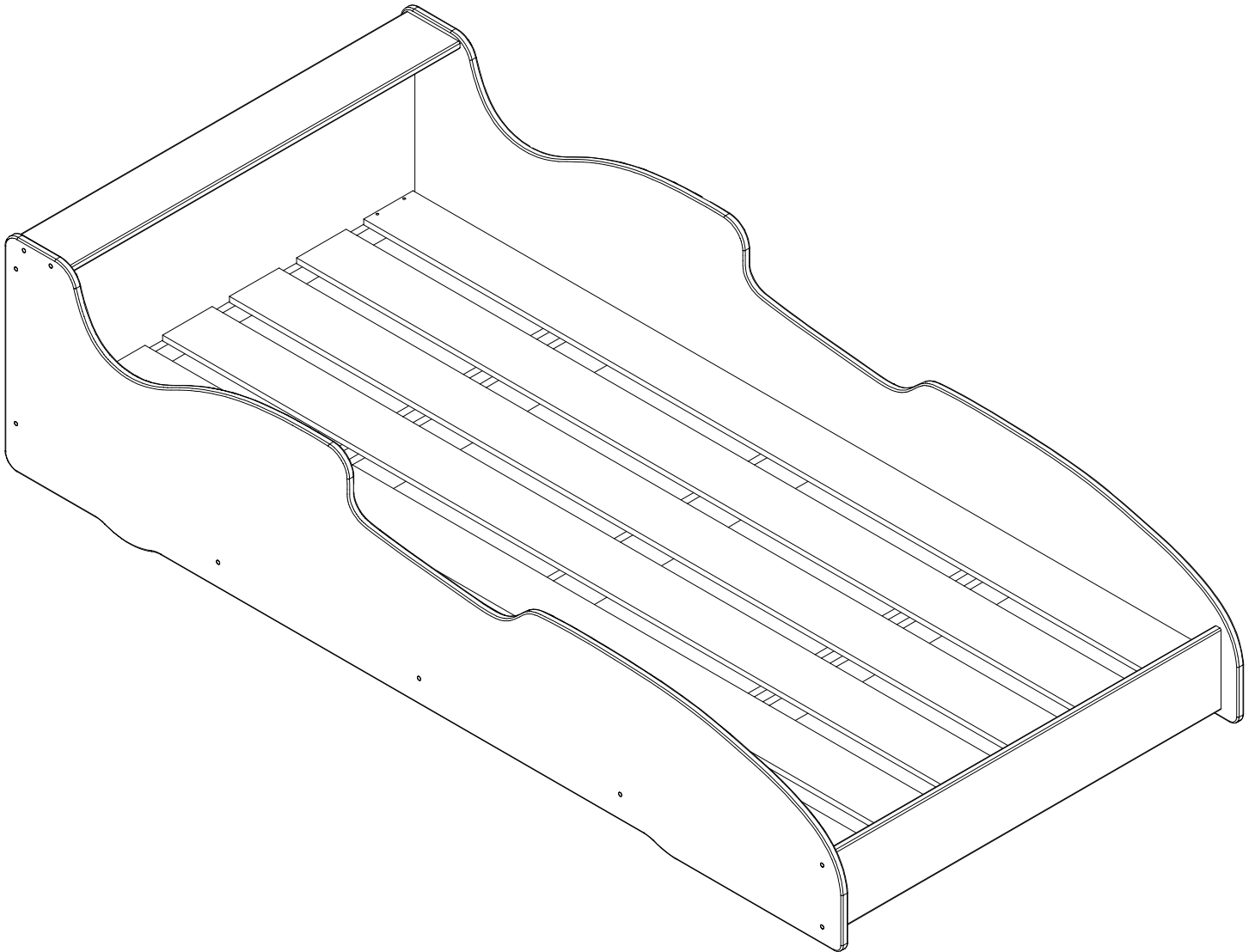
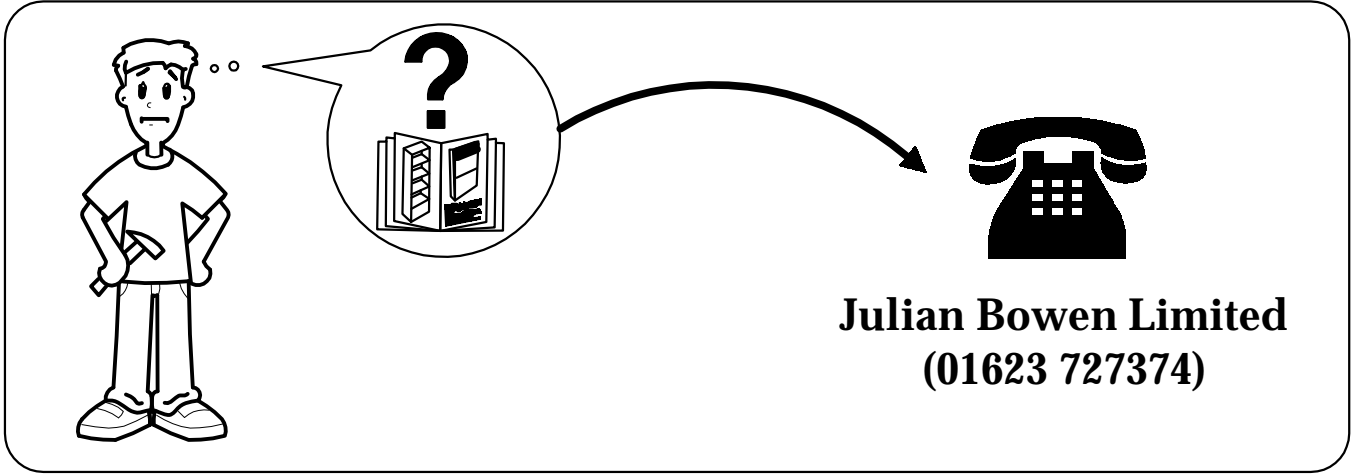
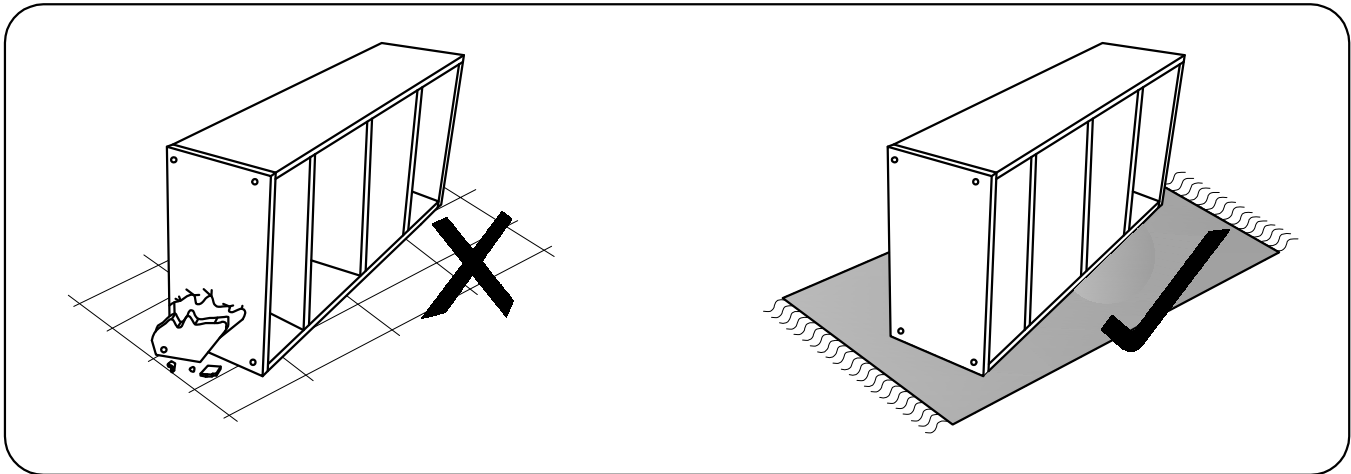
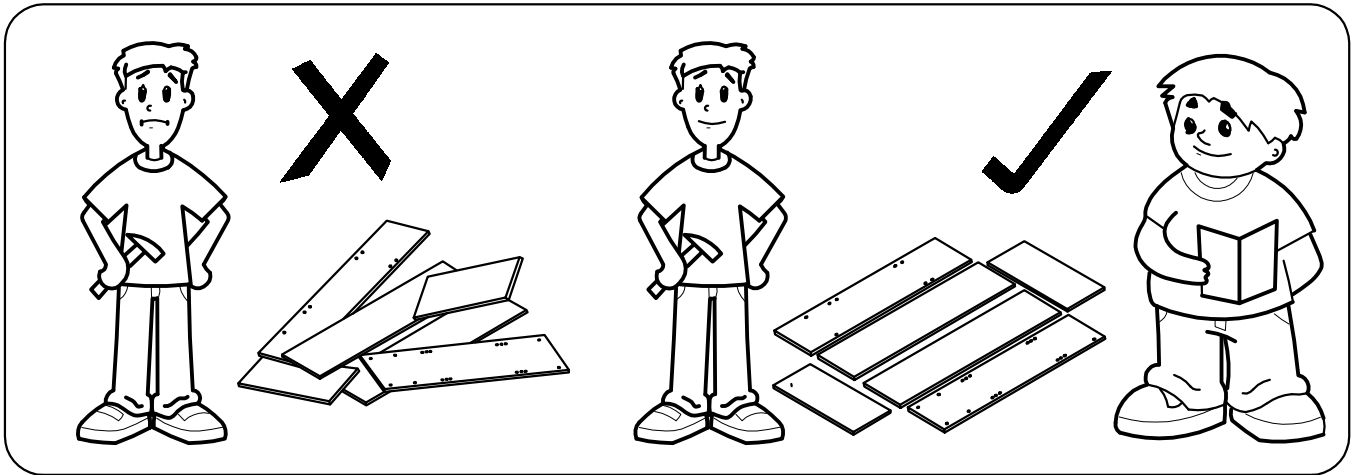
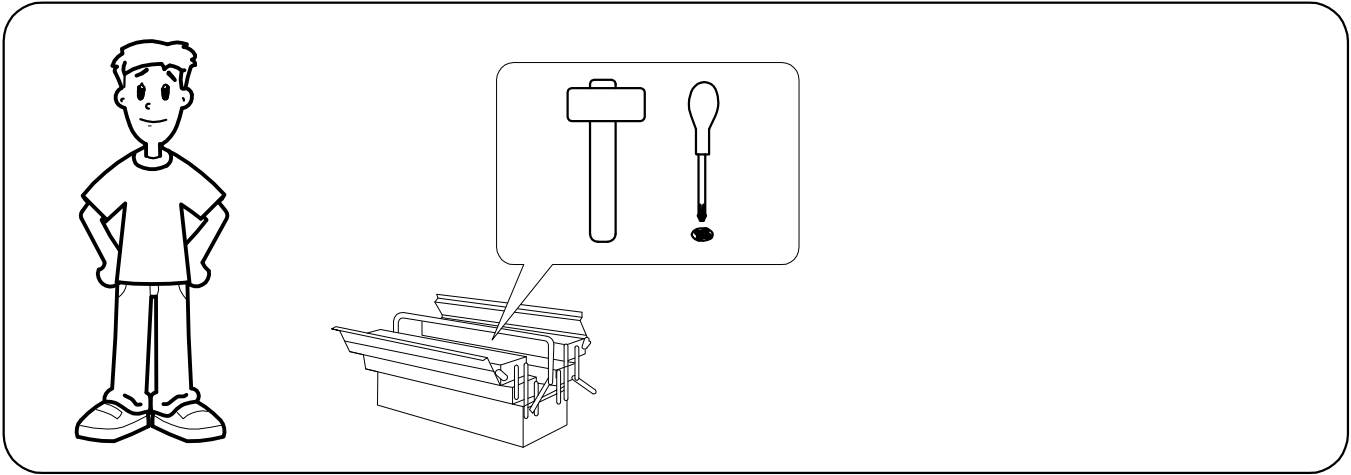


# **Julian Bowen Limited**




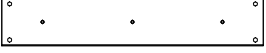



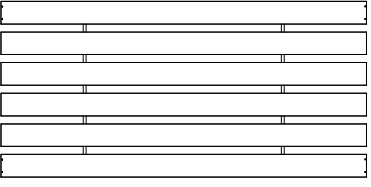
## **Hornet Speeder**

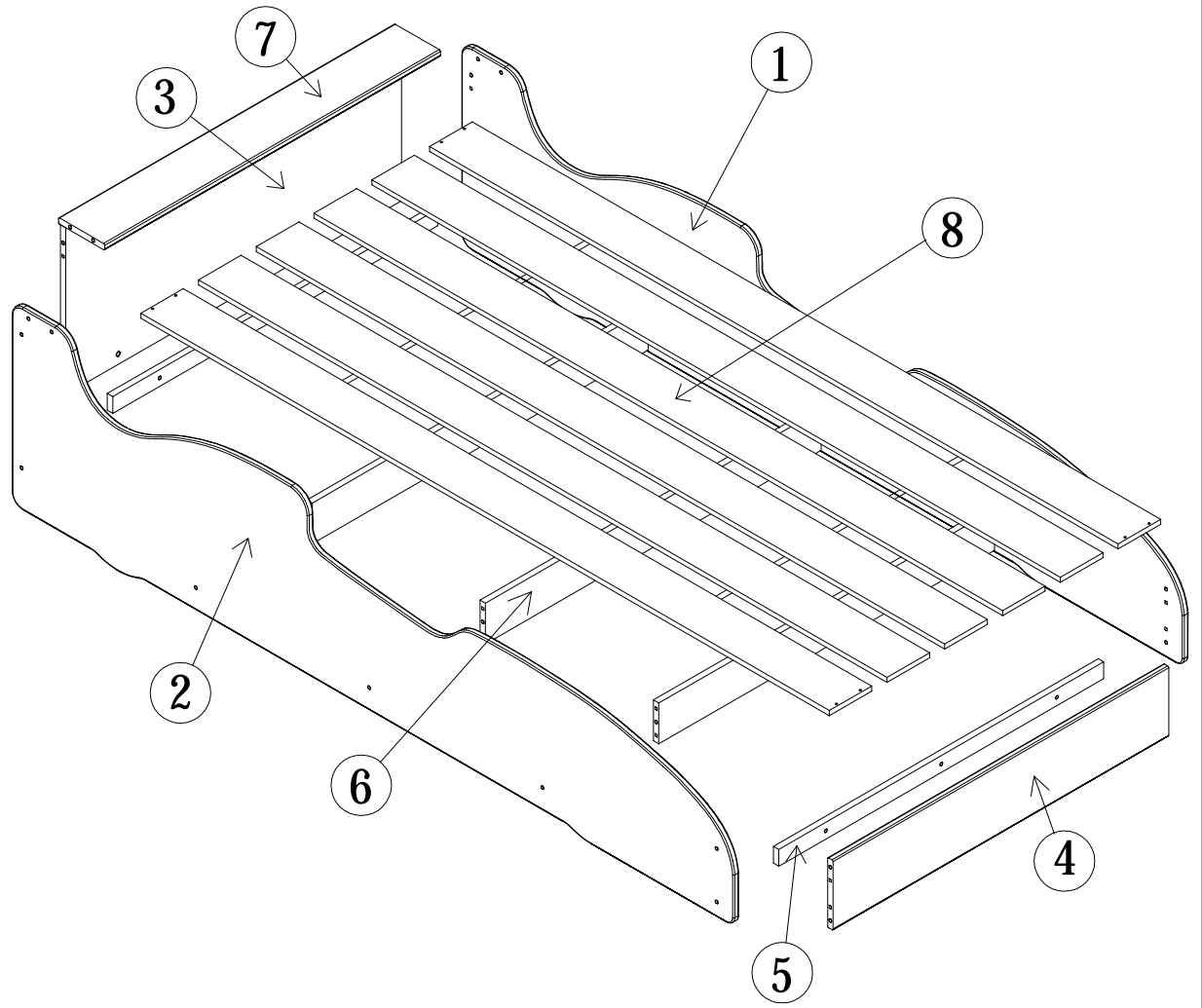
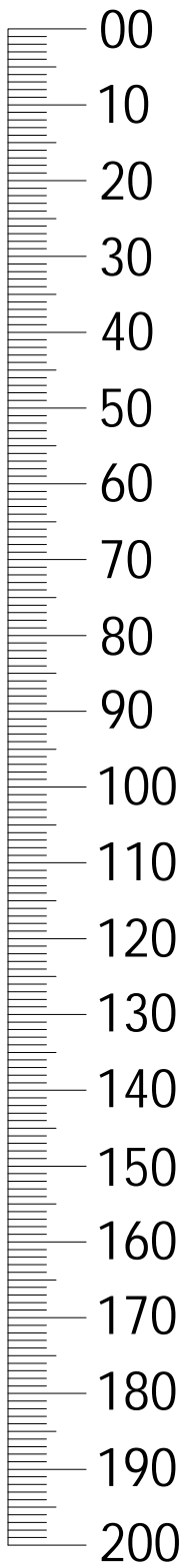
### **Assembly Instructions**





**Julian Bowen Limited**  
**(01623 727374)**

ITEM NO	MEASUREMENT	QTY	SHAPE	CARTON NO.
①	2000 X 500 X 15	X1		1-3
②	2000 X 500 X 15	X1		1-3
③	930 X 400 X 15	X1		2-3
④	930 X 168 X 15	X1		2-3
⑤	900 X 40 X 15	X2		2-3
⑥	930 X 98 X 15	X3		2-3
⑦	930 X 128 X 15	X1		2-3
⑧	1907 X 118 X 12	X6		3-3



**A**  $\Phi 8 \times 30$   
x20  
2-3

**B**  $\Phi 10 \times 11$   
x18  
2-3

**C**  $\Phi 6 \times 25$   
x6  
2-3

**D**  $\Phi 6 \times 50$   
x18  
2-3

**E** x4  
2-3

**F**  $\Phi 3.5 \times 29$   
x8  
2-3

# **Safety Advice**

Please take the time to carefully read through the whole of these instructions before you commence.

Keep these instructions for future reference.

Unpack, inspect and check off all of the contents.

Please dispose of all packaging safely.

We strongly recommend that you keep children well away from the work area.

It would be sensible to lay a sheet or blanket on the floor where you intend to work to avoid scratching this product and to protect your floor.

This product is heavy. Take extreme care when lifting to avoid personal injury or damage to the product.

Assemble the product as close to its intended final position in the room as possible.

We strongly urge that you do not use Power Tools, such as drills or electric screwdrivers during this assembly as this could cause irreparable damage to you product and will invalidate the warranty.

## **IMPORTANT INFORMATION**

**WARNING :** This bed is not suitable for children under 4 years.

**WARNING :** Do not place this child's bed near heat source, windows and other furniture.

**WARNING :** Do not use this child's bed if any part is broken, torn or missing.

**WARNING :** Small component parts could choke a child if swallowed.

It is recommended that you always follow the manufacturer's instructions to assemble this product.

This product is intended for use by children over 4 years of age.

Children are likely to play, bounce, jump and climb on beds, therefore the child's bed should not be placed too close to other furniture or windows, blind cords, curtain pulls or other strings or cords and should be placed either tight to the wall or have a gap of 300mm between the wall and side of bed.

This bed must not be dismantled.

Replacement parts can be obtained from Julian Bowen Limited where available and at an additional cost.

**Recommended Mattress Size:** 90cm x 190 cm (UK Single) with a depth of no more than 23cm.

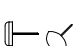
It is necessary to frequently ventilate the room in order to keep the humidity low and to prevent mould in and around the bed.

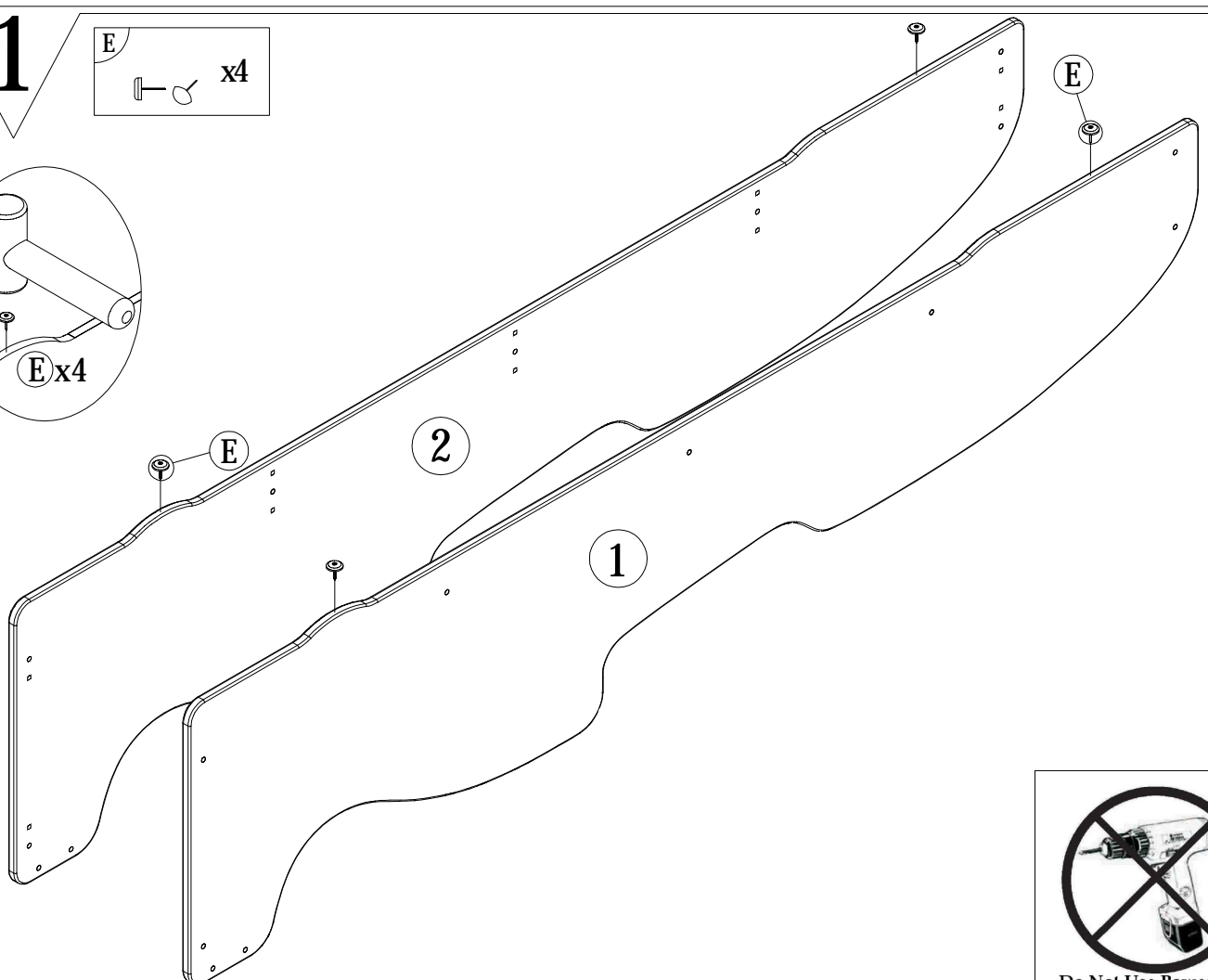
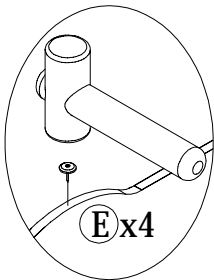
Please periodically check all the fixings of the item and re-tighten when necessary.

This item conforms to British Safety Standards - BS8509:2008-AI:2011.

**HANDY HINT:** If you keep the hardware in a bowl during assembly you will be less likely to lose them.


# 1


E  x4

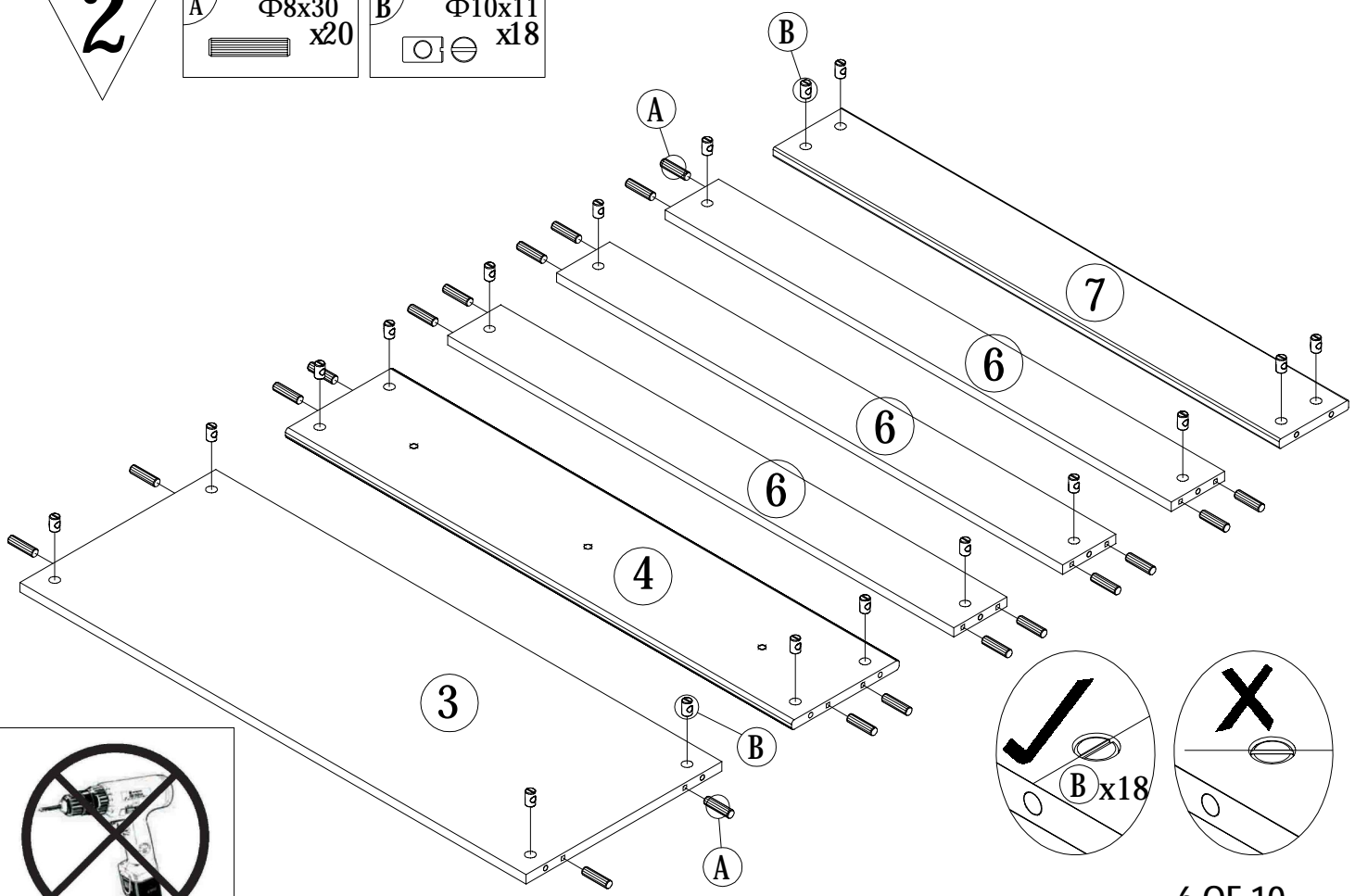


Do Not Use Power Tools

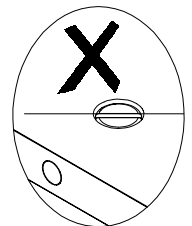
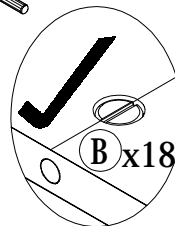
# 2

A   $\Phi 8 \times 30$  x20

B   $\Phi 10 \times 11$  x18



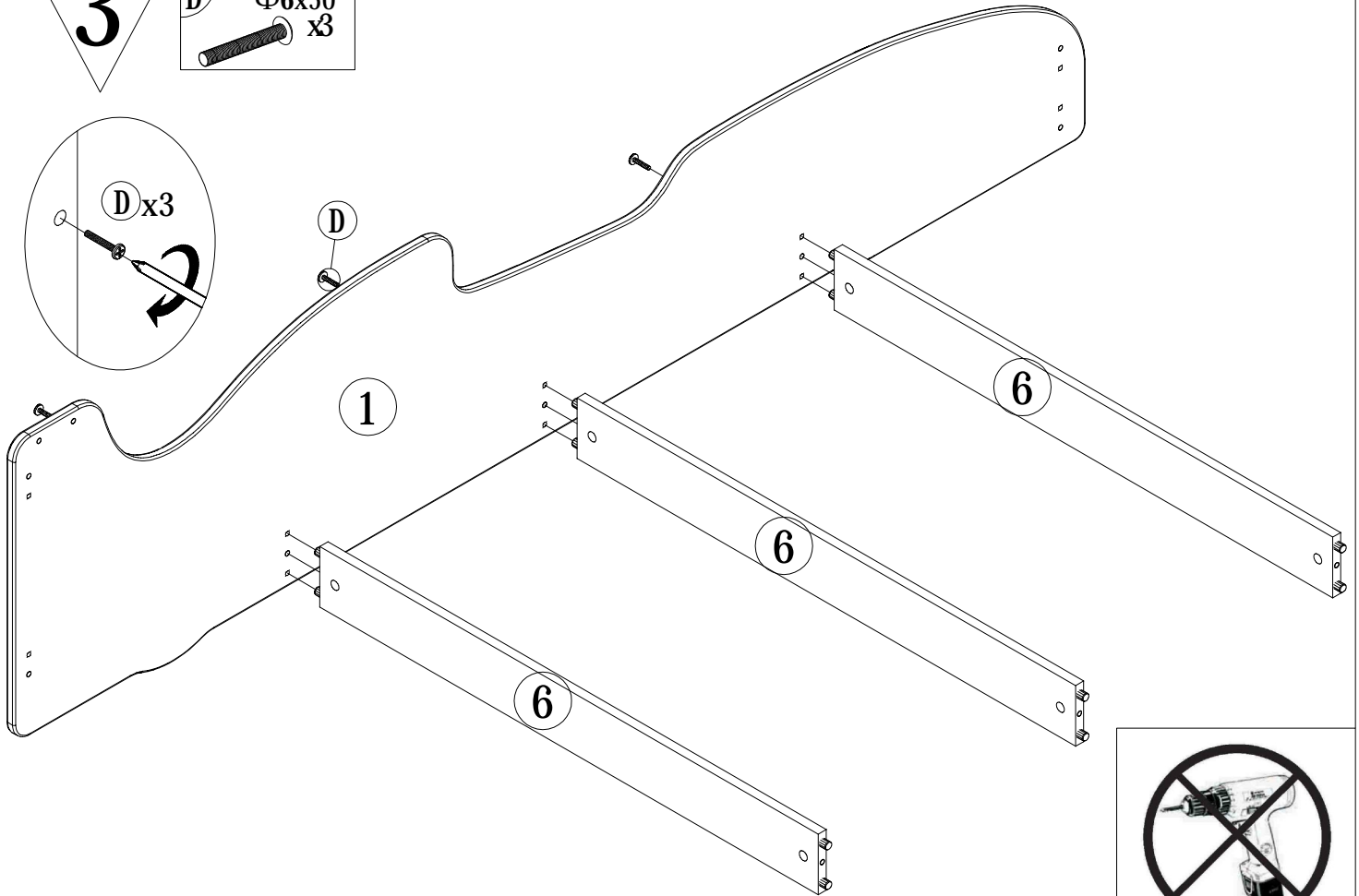
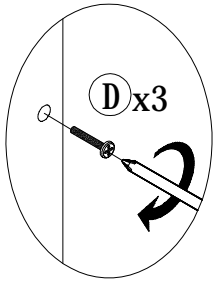
Do Not Use Power Tools



6 OF 10

3

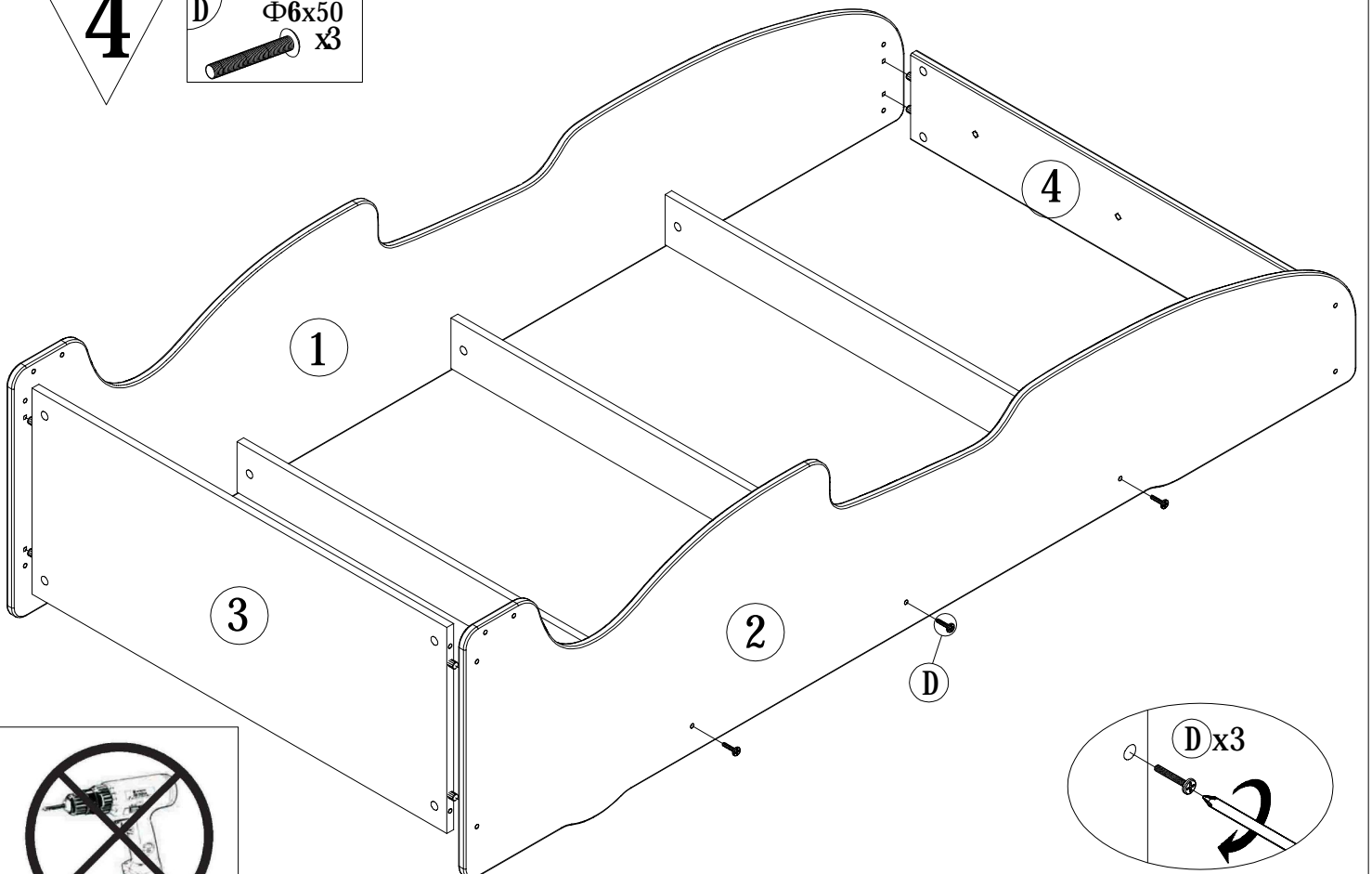
D  $\Phi 6 \times 50$   
x3



Do Not Use Power Tools

4

D  $\Phi 6 \times 50$   
x3



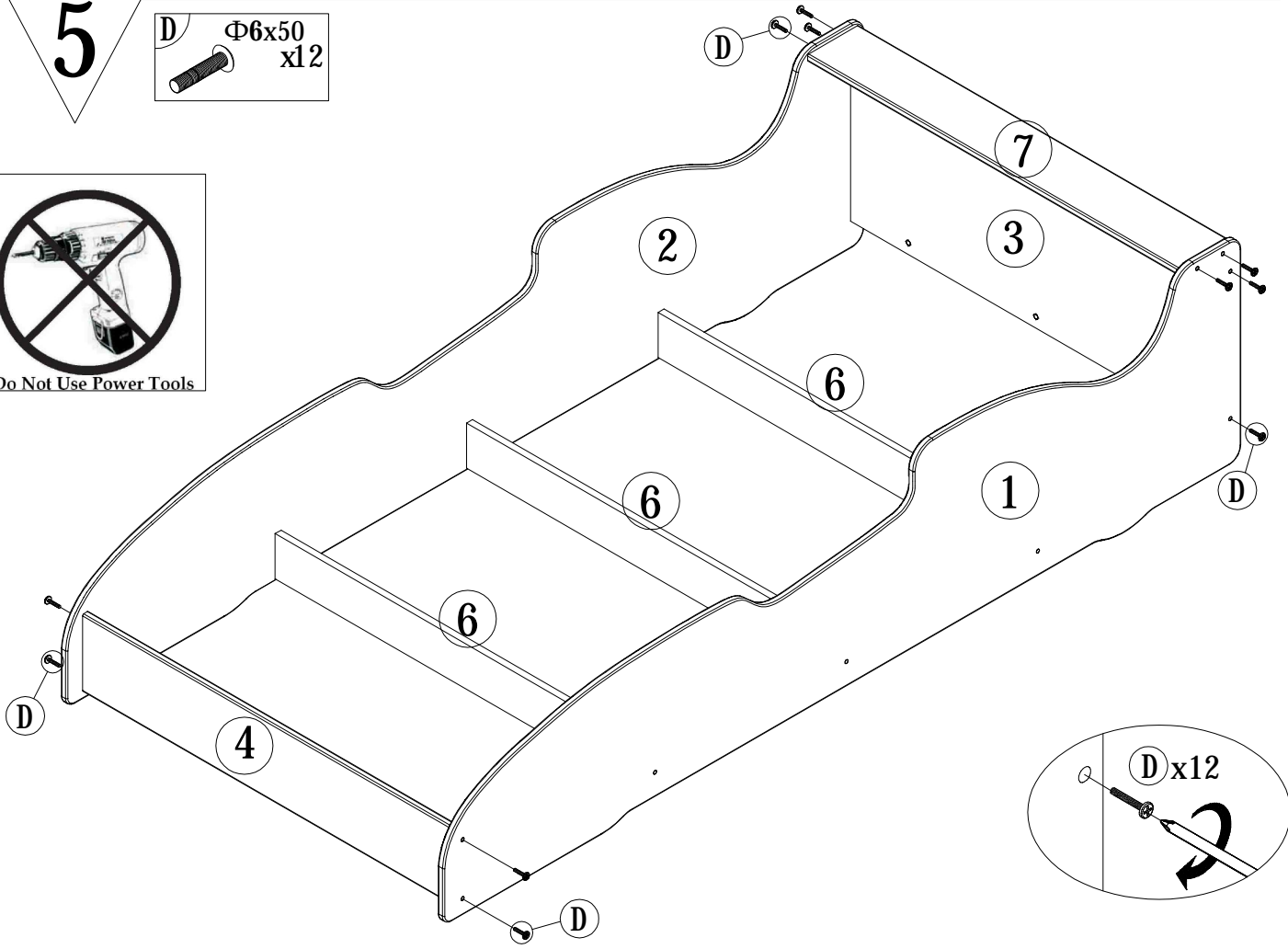
Do Not Use Power Tools

5

D  $\Phi 6 \times 50$   
x12



Do Not Use Power Tools

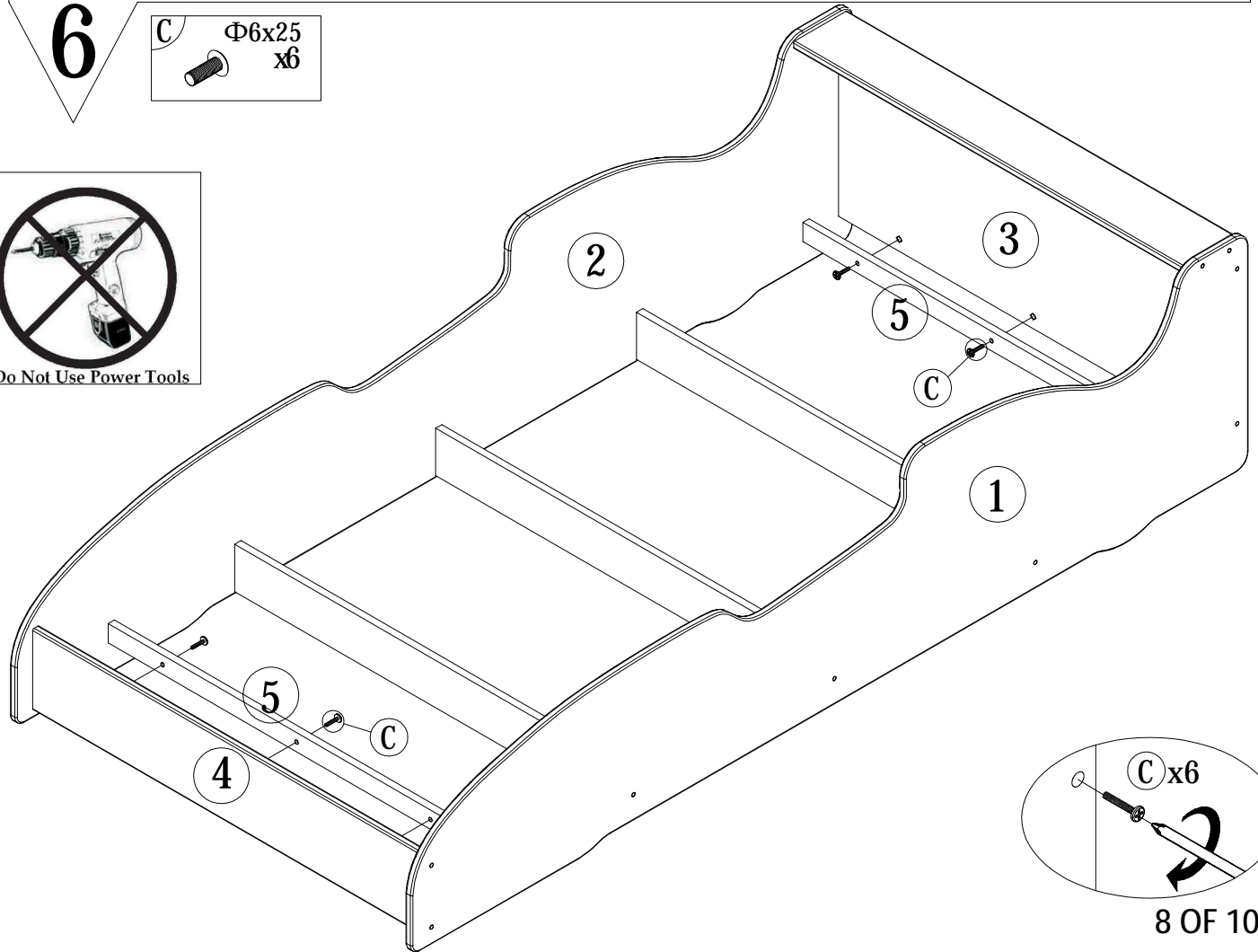


6

C  $\Phi 6 \times 25$   
x6



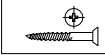
Do Not Use Power Tools



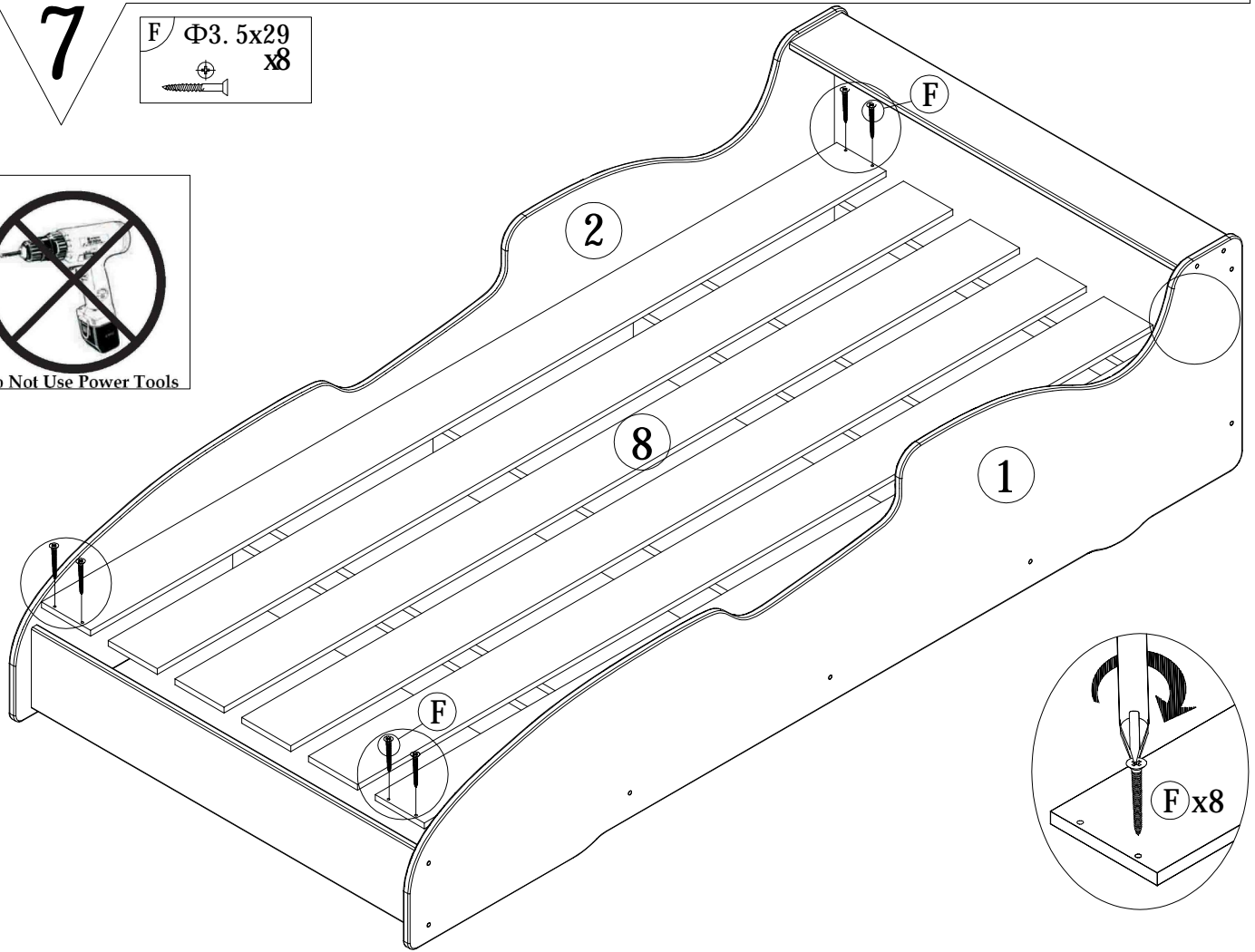


7

F  $\Phi 3.5 \times 29$   
x8



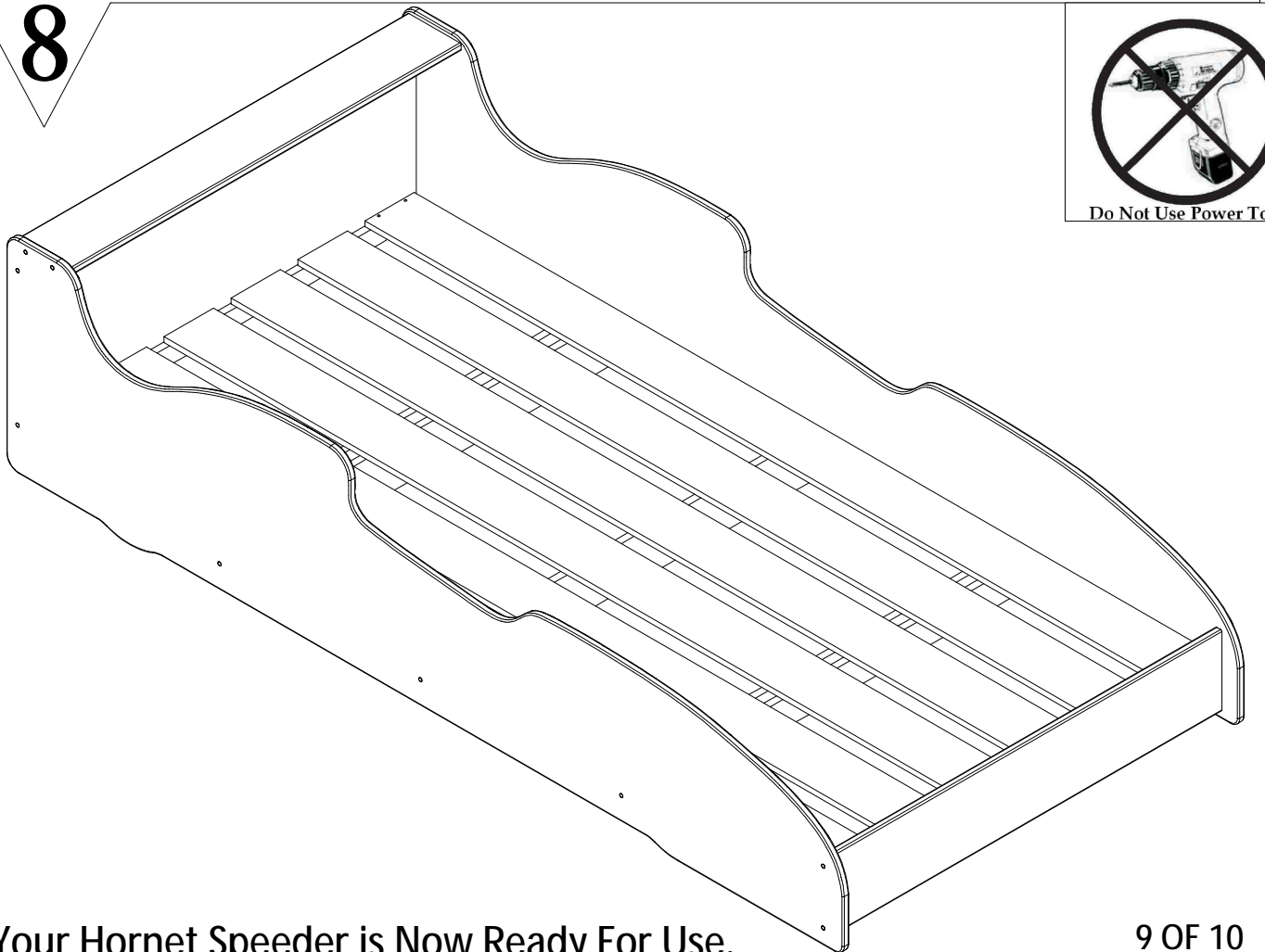
Do Not Use Power Tools



8



Do Not Use Power Tools



Your Hornet Speeder is Now Ready For Use.

9 OF 10

## **General Care**

Wipe clean with a slightly damp soft cloth.

Avoid the use of all household cleaners and abrasives.

When moving your furniture, carefully lift into place. Never drag or push the pieces across the floor as this will cause damage to the joints and could result in failure to the product that will invalidate the warranty.

## **Recommendations**

Periodical re-tightening of fixings.

## **Warning**

This unit is heavy. Please use an assistant when lifting.

## **Notes**

We've tried to make this piece of furniture as easy to assemble as possible. In the unlikely event that you have problems putting it together or have damaged or missing pieces, please contact our customer services on 01623 727374

# **Julian Bowen Limited**

**Bentinck House, Park Lane Business Park, Kirkby-in-Ashfield, Notts, NG17 9LE**  
**[www.julian-bowen.co.uk](http://www.julian-bowen.co.uk)**