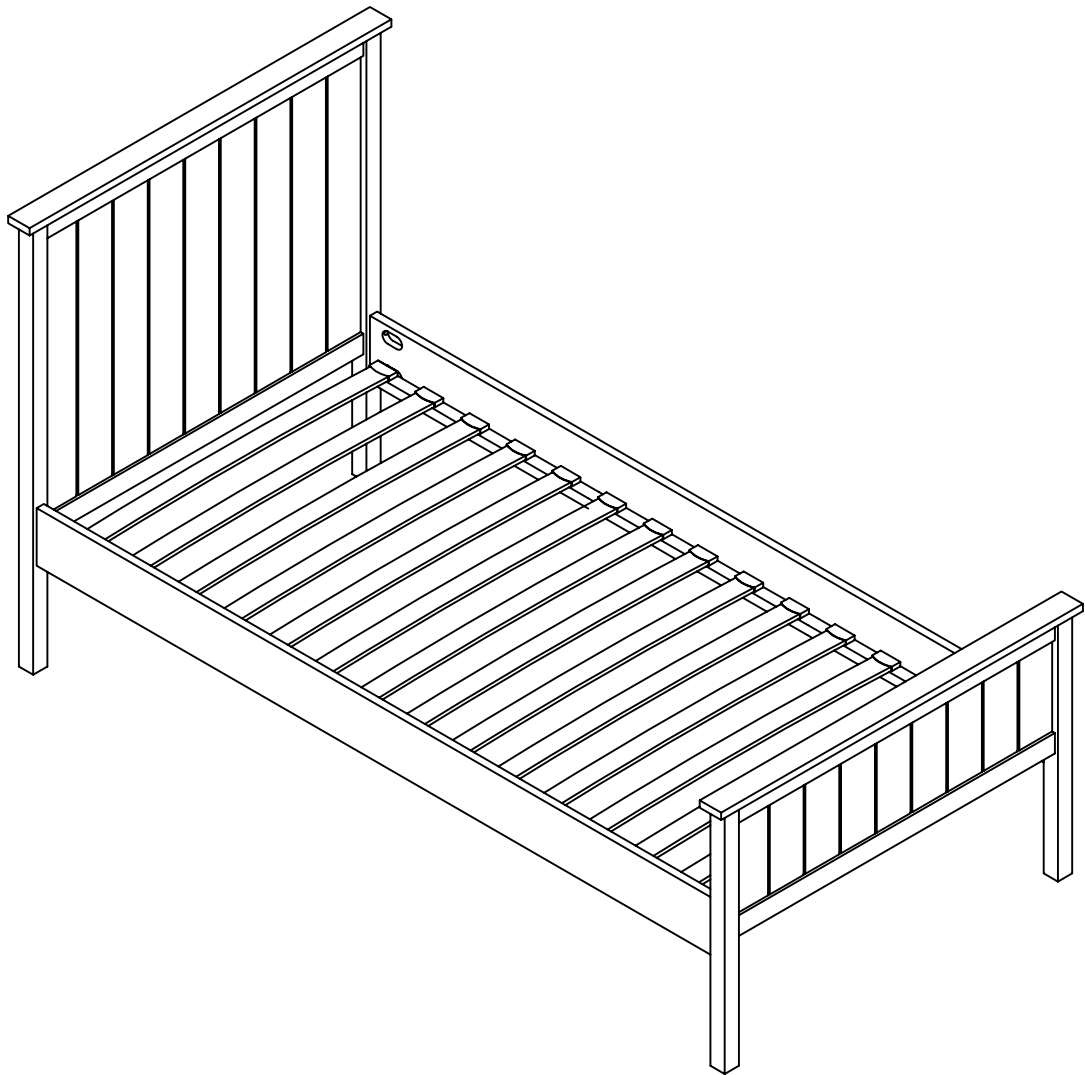


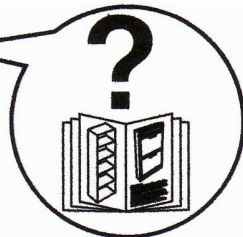
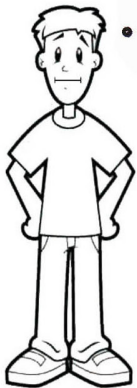
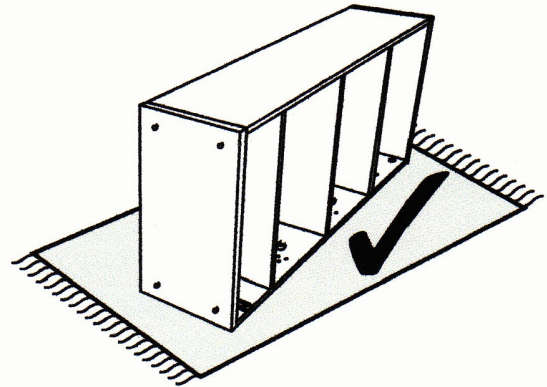
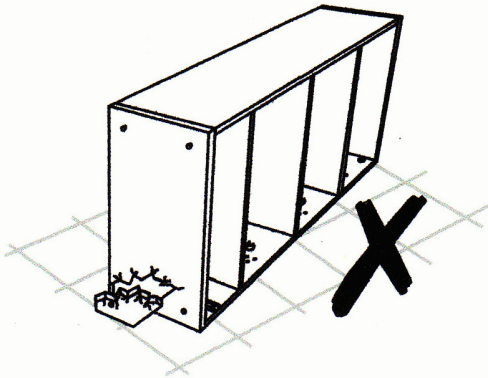
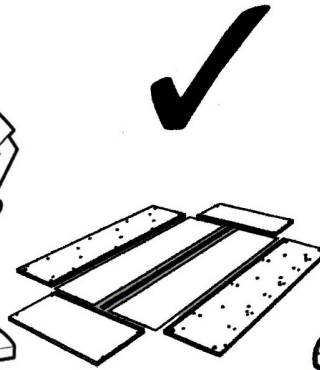
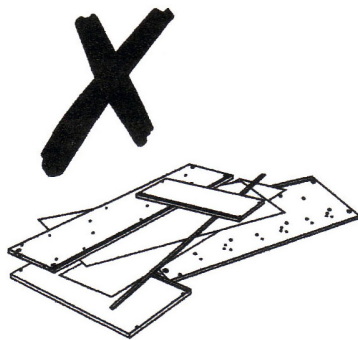
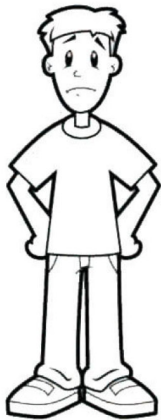
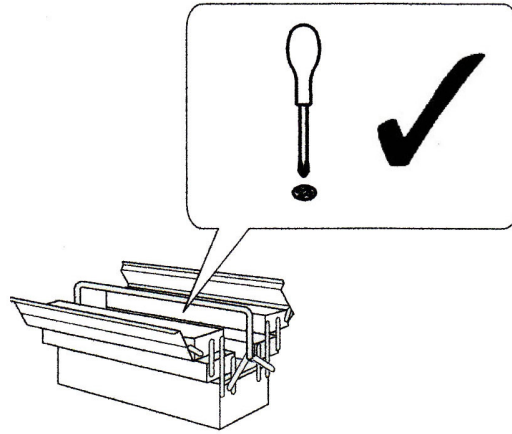
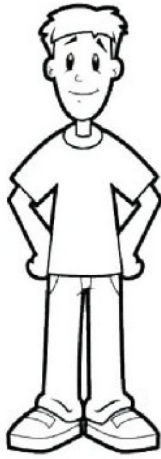
Julian Bowen Limited

Harmony Bed 90cm

Assembly Instructions

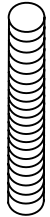


VERSION:140318



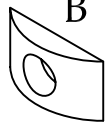
Julian Bowen Limited
(01623 727374)

HARDWARE



A

8x
Ø8x80mm



B

8x
35x15x7.5mm



C

8x
M8.5



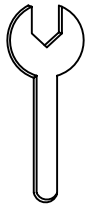
D

8x
M8.5



E

8x
M8



F

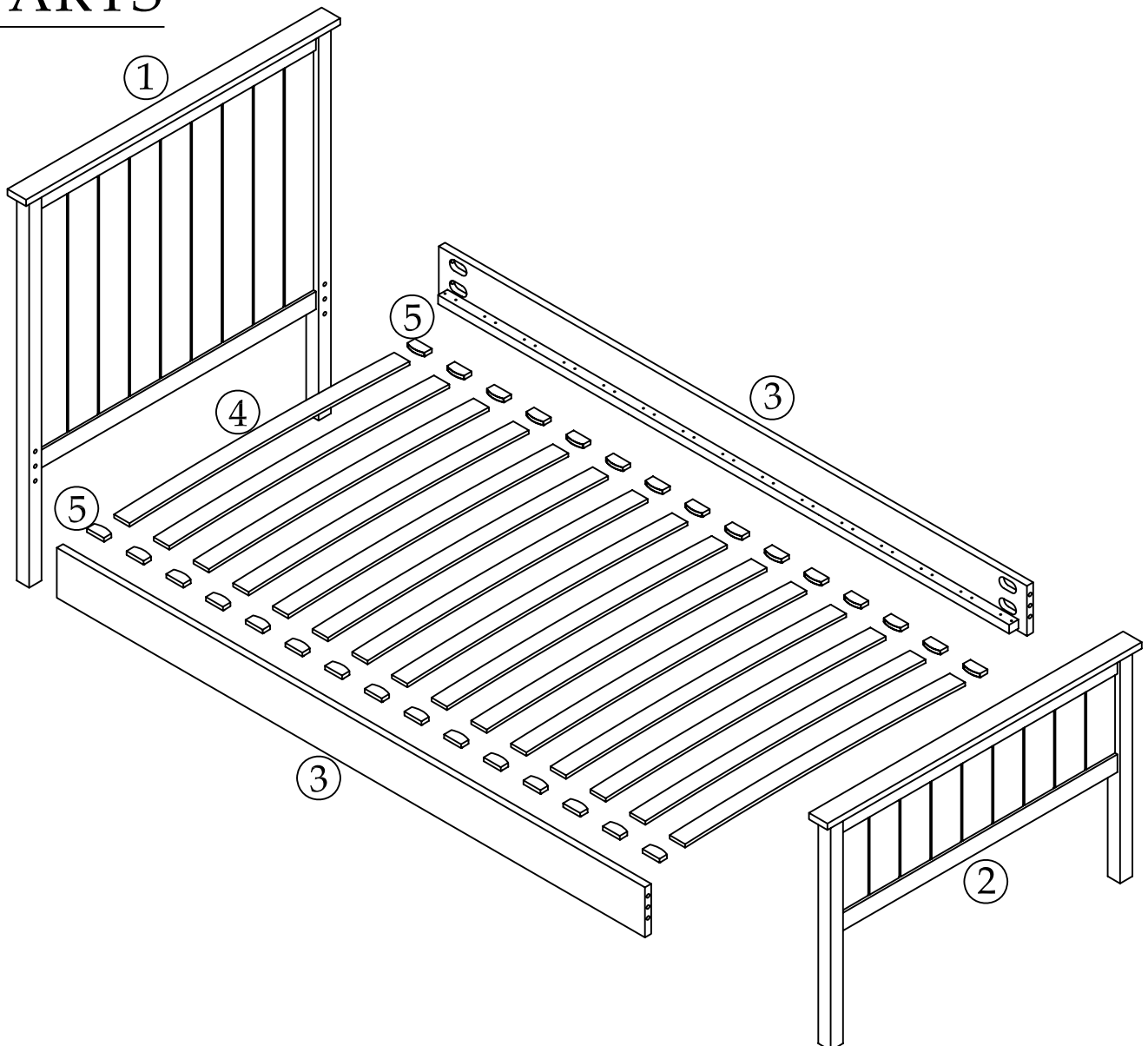
1x



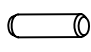
G

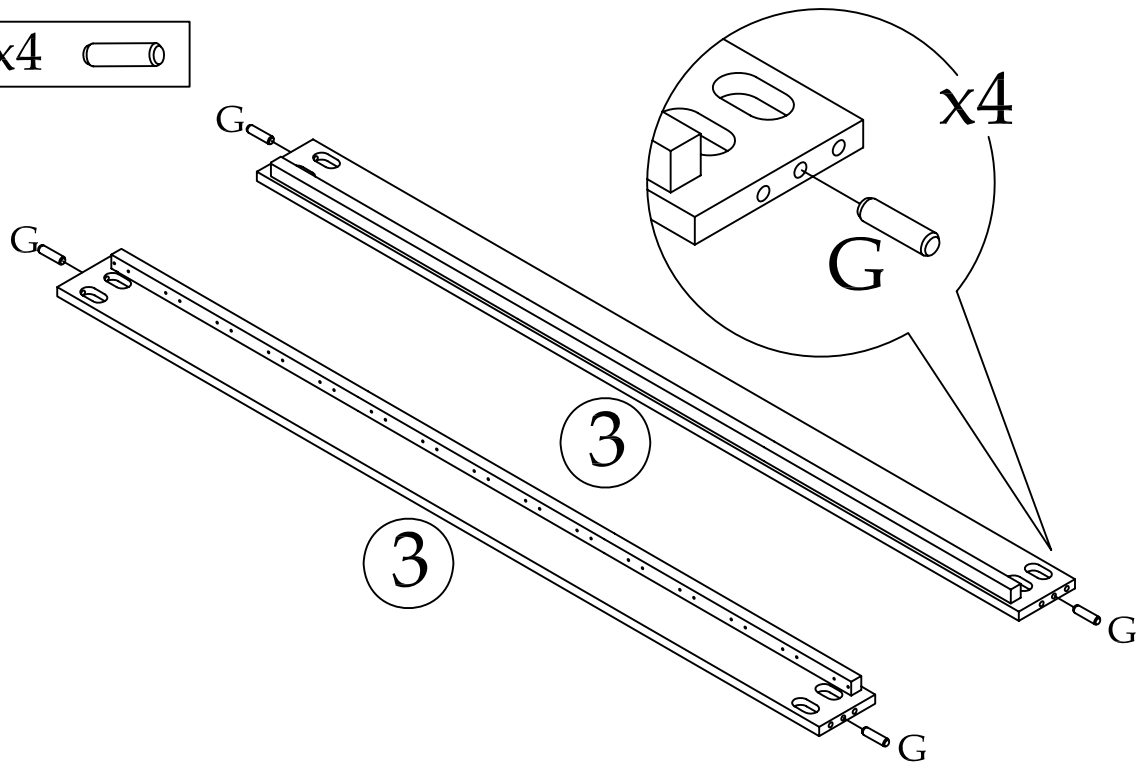
4x
Ø10x40mm

PARTS




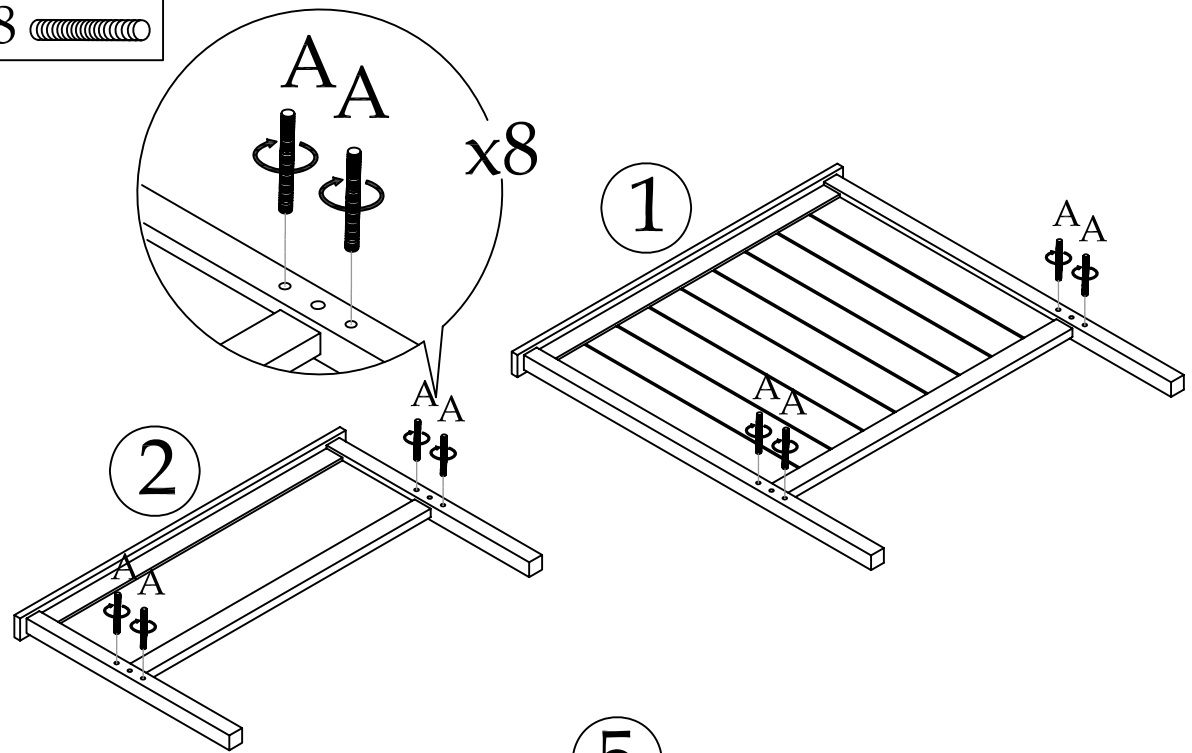
1

Gx4 

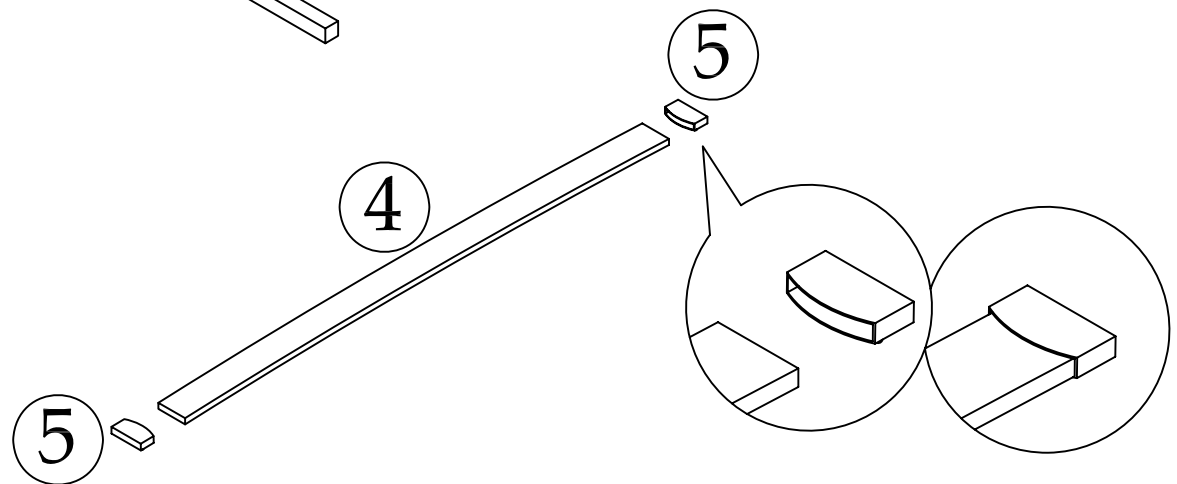


2




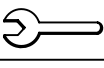

Ax8 

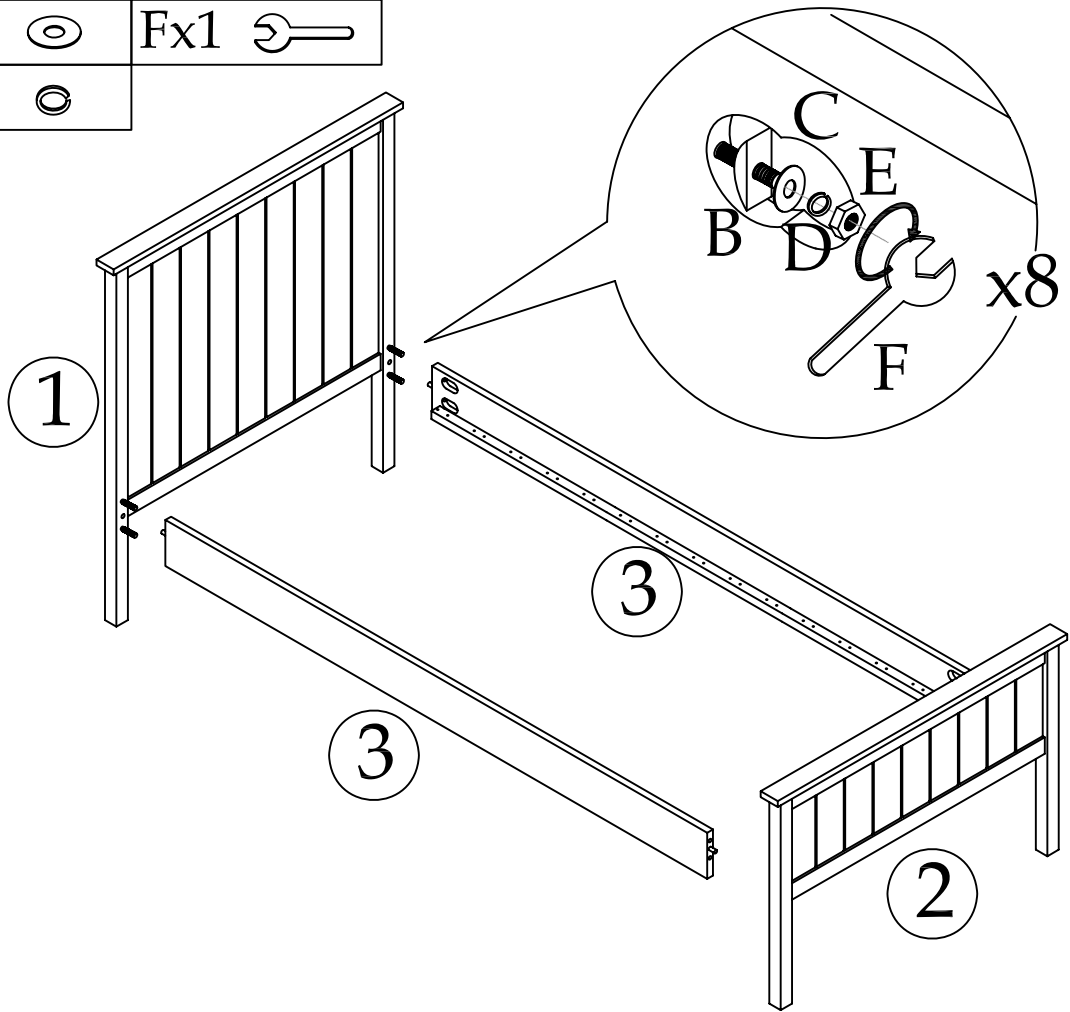


3

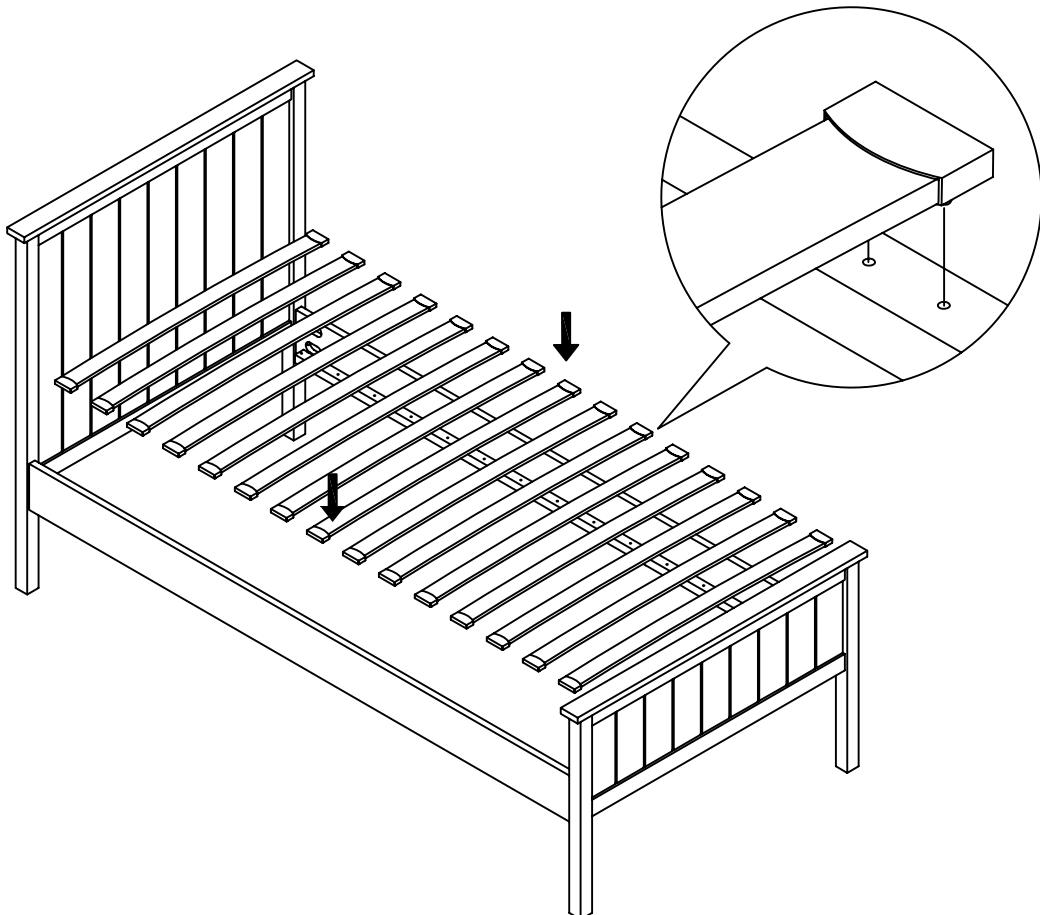


3

Bx8		Ex8	
Cx8		Fx1	
Dx8			



4



Your Harmony Bed is now ready for use.

General Care

Wipe clean with a slightly damp soft cloth.

Avoid the use of all household cleaners and abrasives.

When moving your furniture, carefully lift into place.

Never drag or push the pieces across the floor as this will cause damage to the joints and could result in failure to the product that will invalidate the warranty.

Recommendations

Periodical re-tightening of fixings.

Warning

This unit is heavy. Please use an assistant when lifting.

Notes

We've tried to make this piece of furniture as easy to assemble as possible. In the unlikely event that you have problems putting it together or have damaged or missing pieces, please contact our customer services on 01623 727374

Julian Bowen Limited

Bentinck House, Park Lane Business Park, Kirkby-in-Ashfield, Notts, NG17 9LE

www.julian-bowen.co.uk