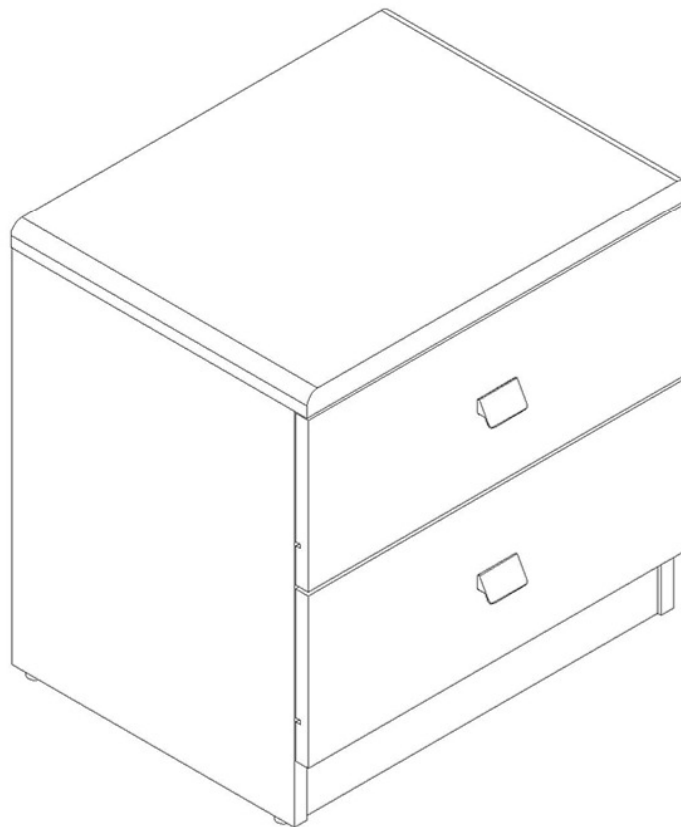
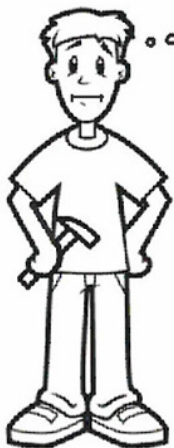
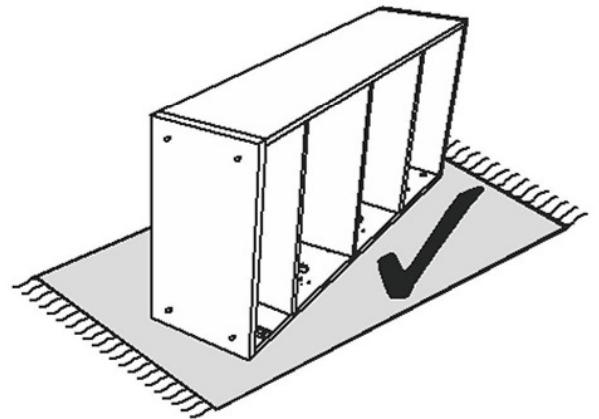
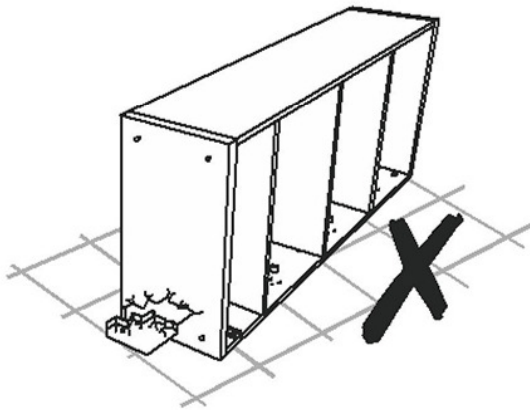
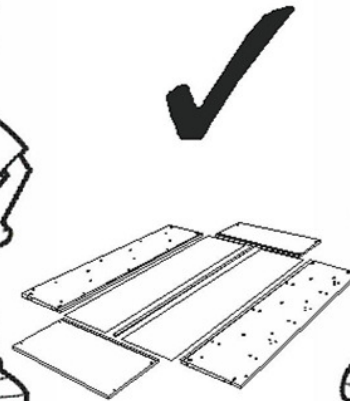
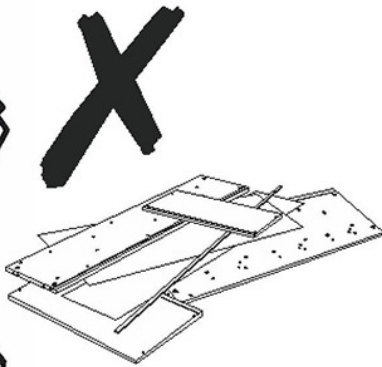
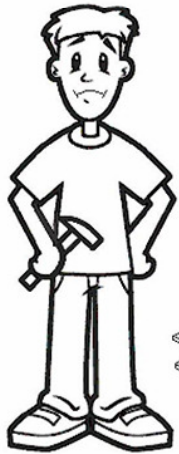
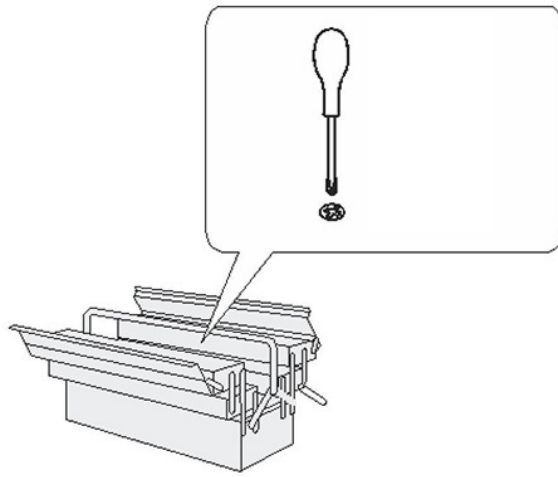
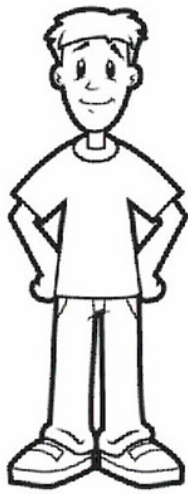


Julian Bowen Limited

DOMINO 2 Drawer Bedside

Assembly Instructions





Julian Bowen Limited
(01623 727374)

HARDWARE

A



Cam Stud
14PCS

B



Cam
14PCS

C



M8 x 25mm
34PCS

D



M4 x 38mm
8PCS

E



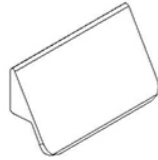
M3.5 x 14mm
20PCS

H



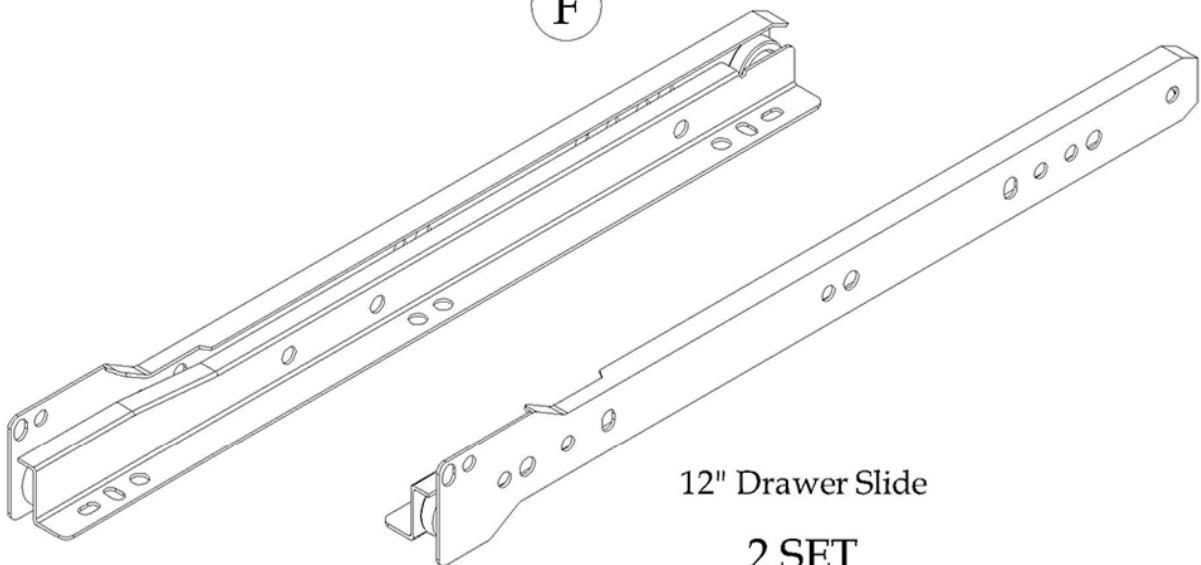
M4 x 20mm
4PCS

G



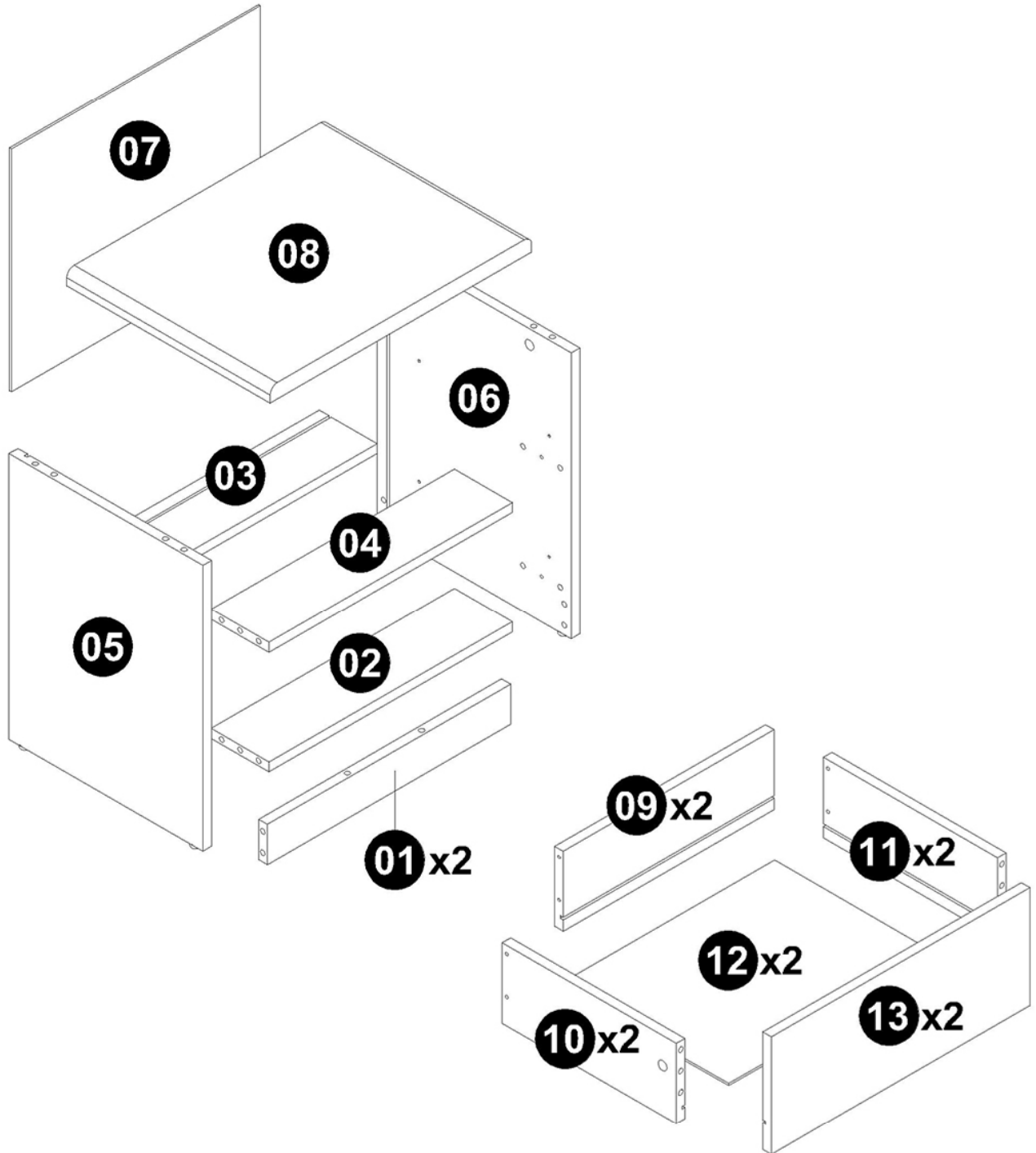
Handle
2PCS

F



12" Drawer Slide
2 SET

PARTS



Safety Advice

Please take the time to carefully read through the whole of these instructions before you commence.

Keep these instructions for future reference.

Unpack, inspect and check off all of the contents.

Please dispose of all packaging safely.

Small component parts could choke a child if swallowed.

We strongly recommend that you keep children well away from the work area.

It would be sensible to lay a sheet or blanket on the floor where you intend to work to avoid scratching this product and to protect your floor.

This product is heavy. Take extreme care when lifting to avoid personal injury or damage to the product.

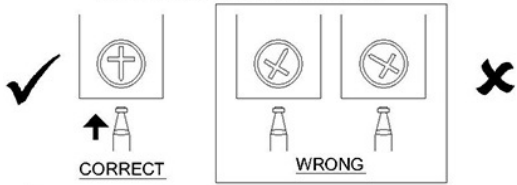
Assemble the product as close to its intended final position in the room as possible.

We strongly urge that you do not use Power Tools, such as drills or electric screwdrivers during this assembly as this could cause irreparable damage to your product and will invalidate the warranty.

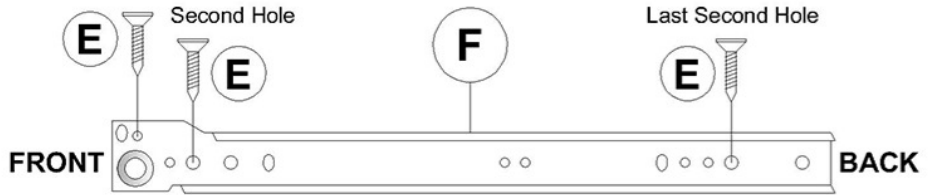
HANDY HINT: If you keep the hardware in a bowl during assembly you will be less likely to lose them.





WHEN FITTING CAMS

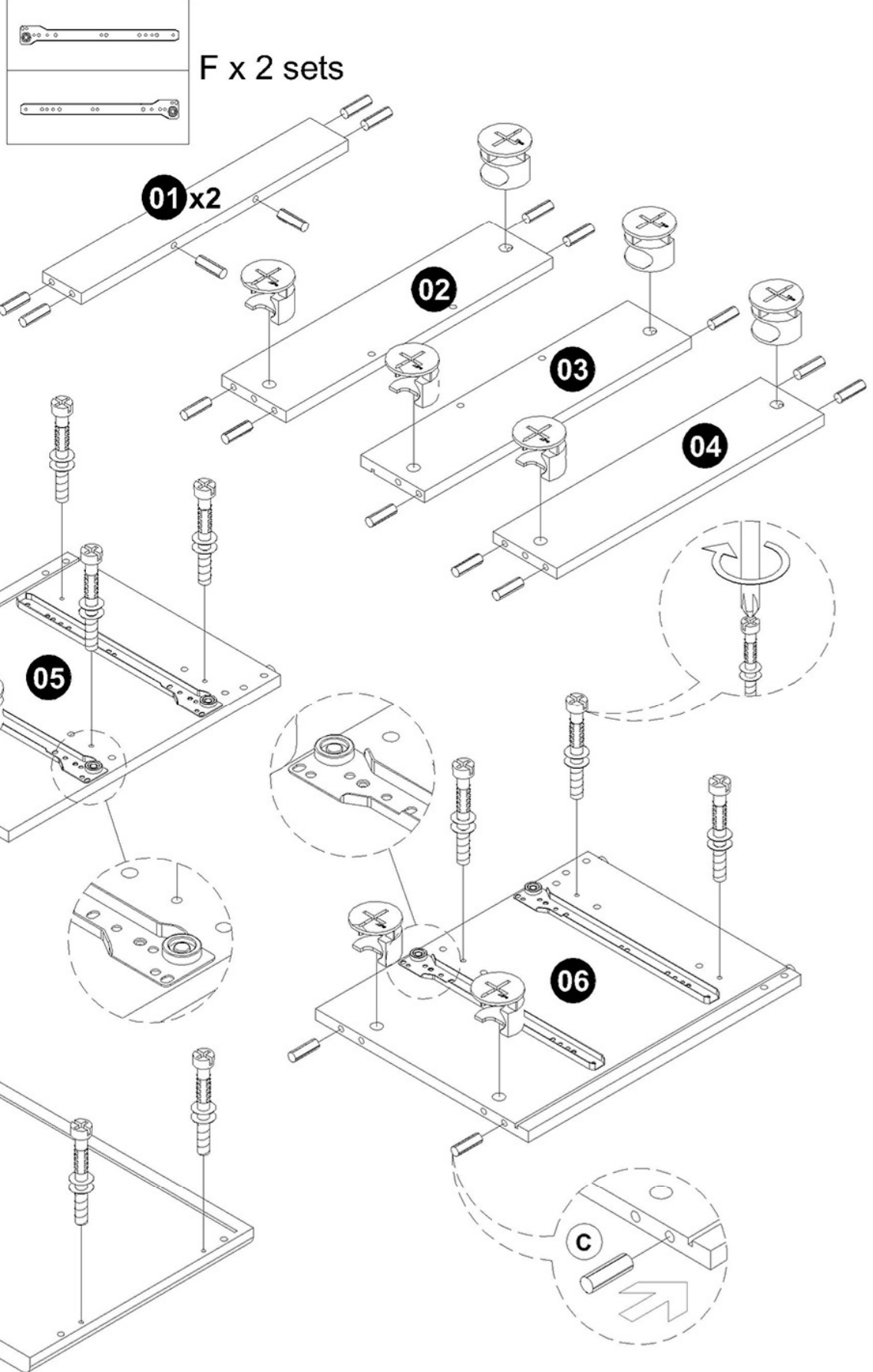
ENSURE STARTING POSITION IS CORRECT
BEFORE YOU INSERT CONNECTING BOLT
TURN CLOCKWISE UNTIL SECURE



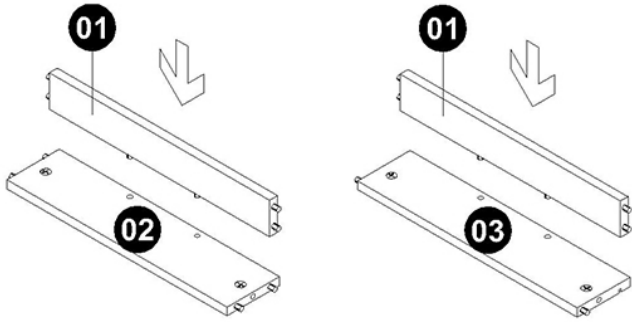
To Assembly the Drawer Slide, Please Follow Step as Below



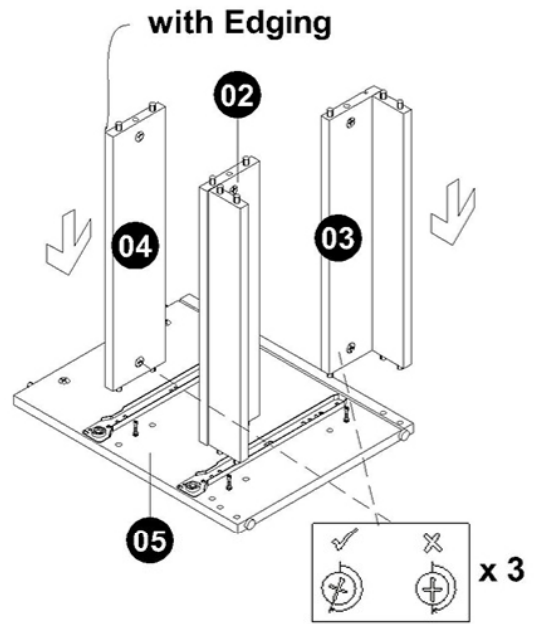
- 1  A x 10
-  B x 10
-  C x 26
-  E x 12



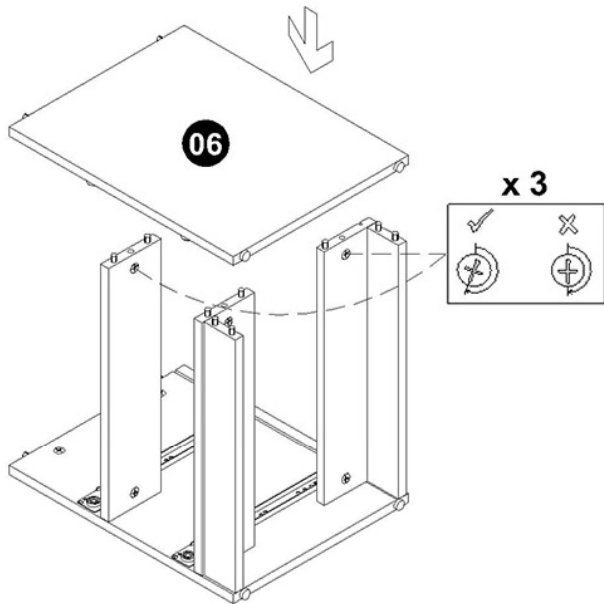
2



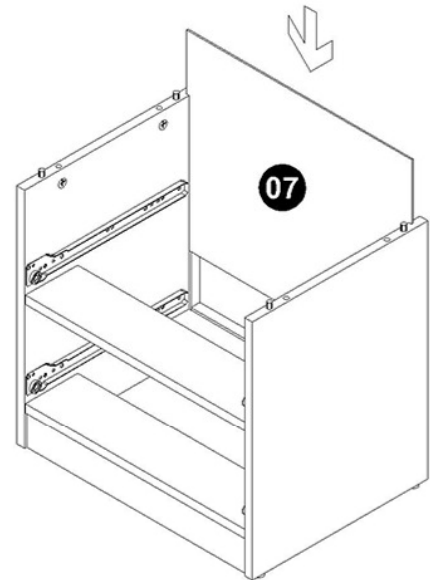
3



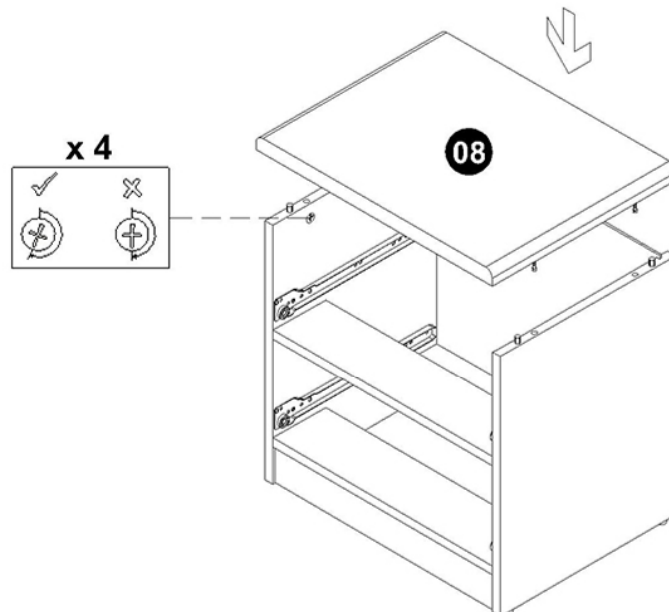
4



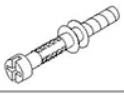
5



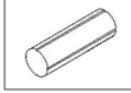
6



7



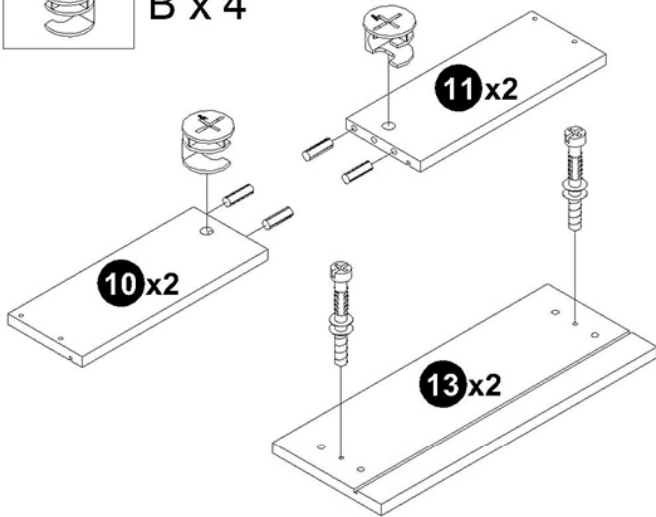
A x 4



C x 8



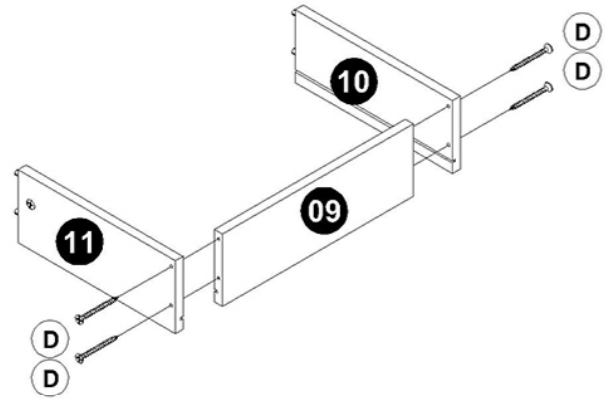
B x 4



8



D x 8



Do This Step 2 Times

9

10

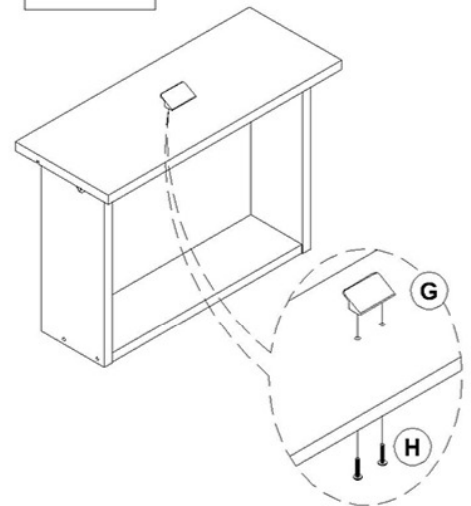
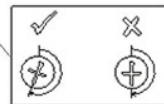
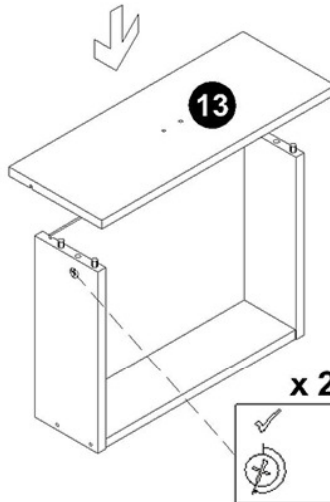
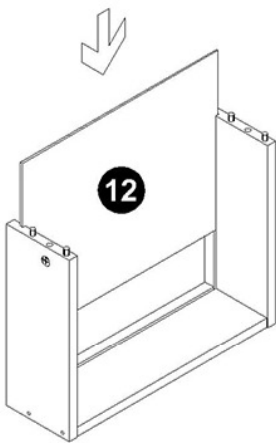
11



G x 2



H x 4



Do This Step 2 Times

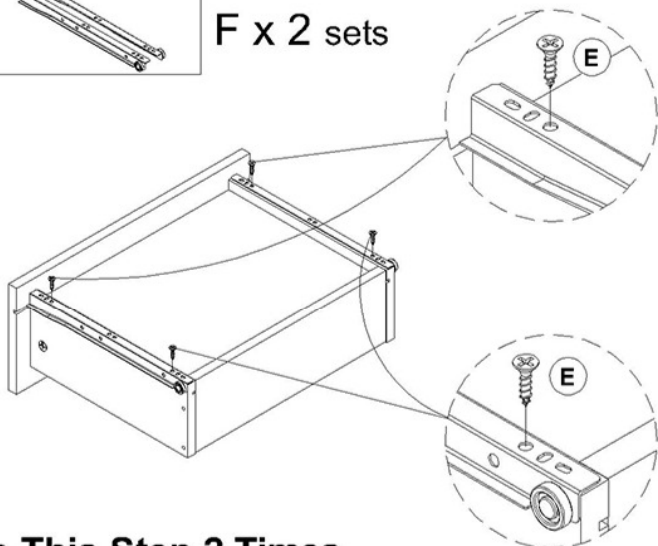
12



E x 8

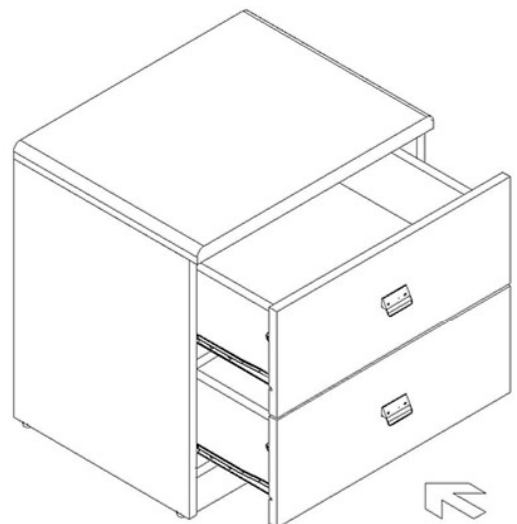


F x 2 sets



Do This Step 2 Times

13



General Care

Wipe clean with a slightly damp soft cloth.

Avoid the use of all household cleaners and abrasives.

When moving your furniture, carefully lift into place. Never drag or push the pieces across the floor as this will cause damage to the joints and could result in failure to the product that will invalidate the warranty.

Recommendations

Periodical re-tightening of fixings.

Warning

This unit is heavy. Please use an assistant when lifting.

Notes

We've tried to make this piece of furniture as easy to assemble as possible. In the unlikely event that you have problems putting it together or have damaged or missing pieces, please contact our customer services on 01623 727374

Julian Bowen Limited

Bentick House, Park Lane Business Park, Kirkby-in-Ashfield, Notts, NG17 9LE

www.julian-bowen.co.uk