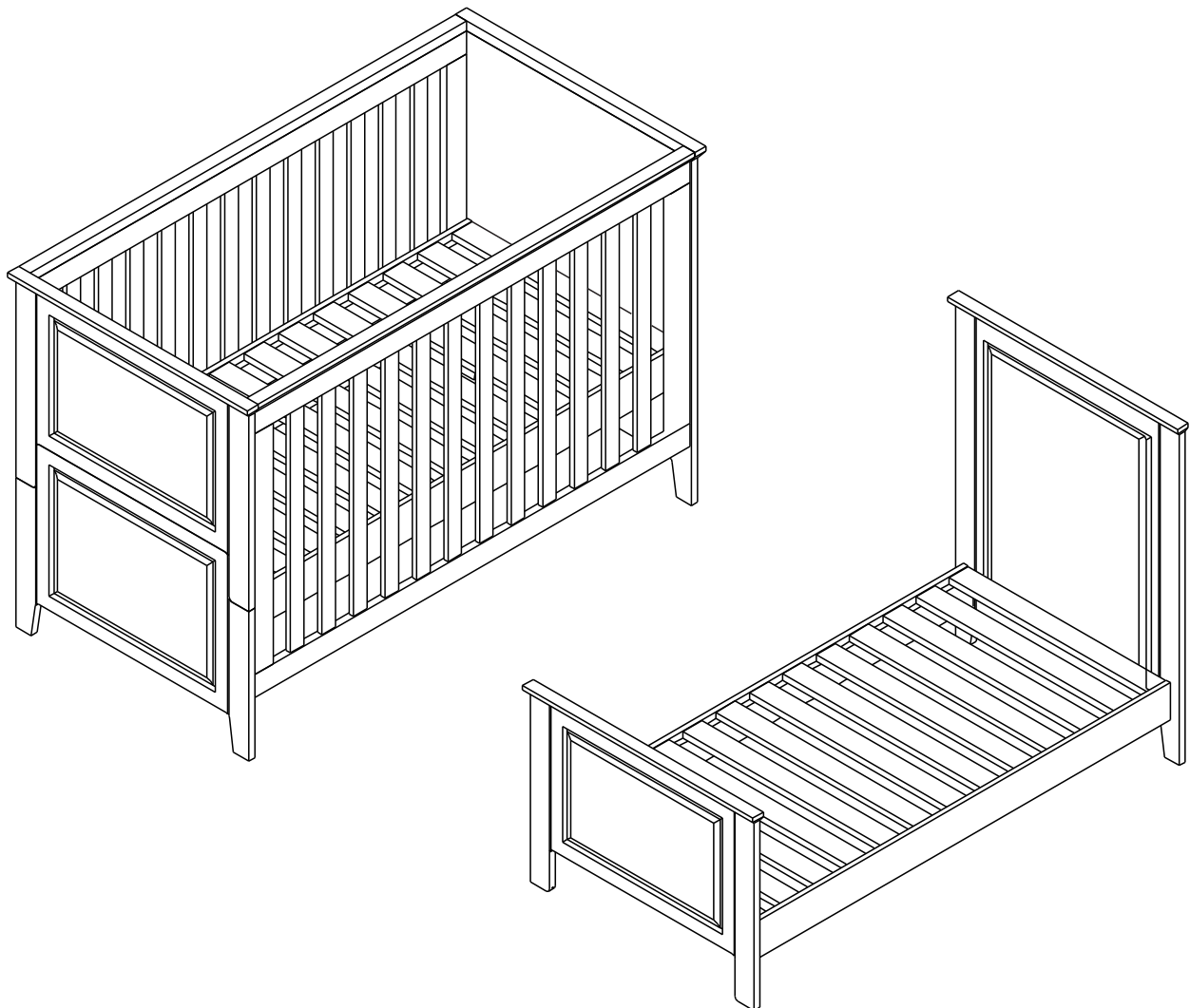
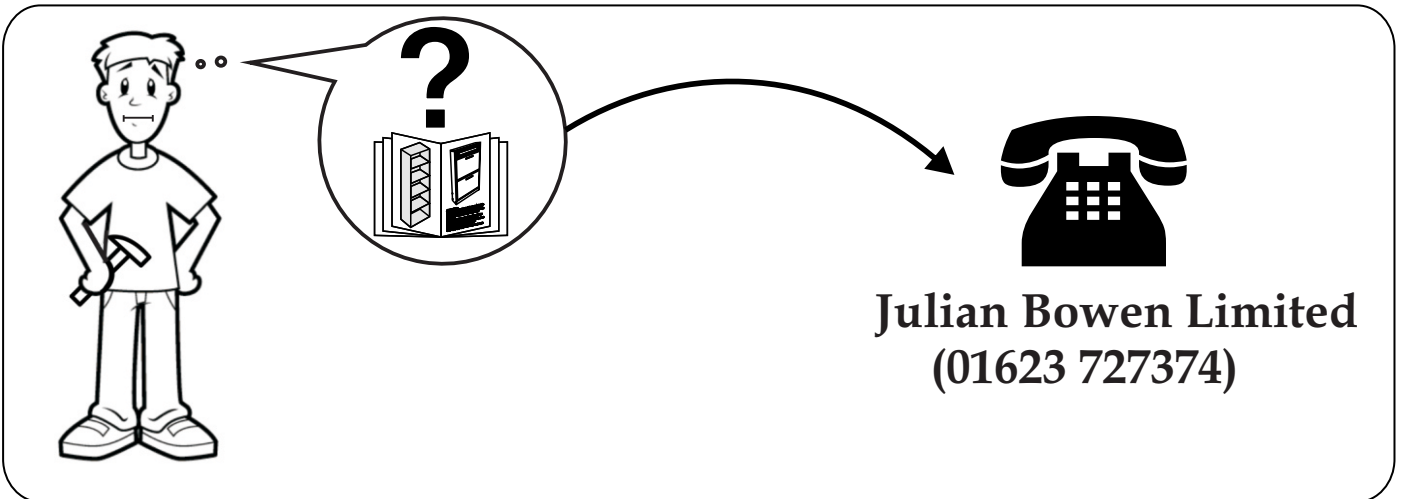
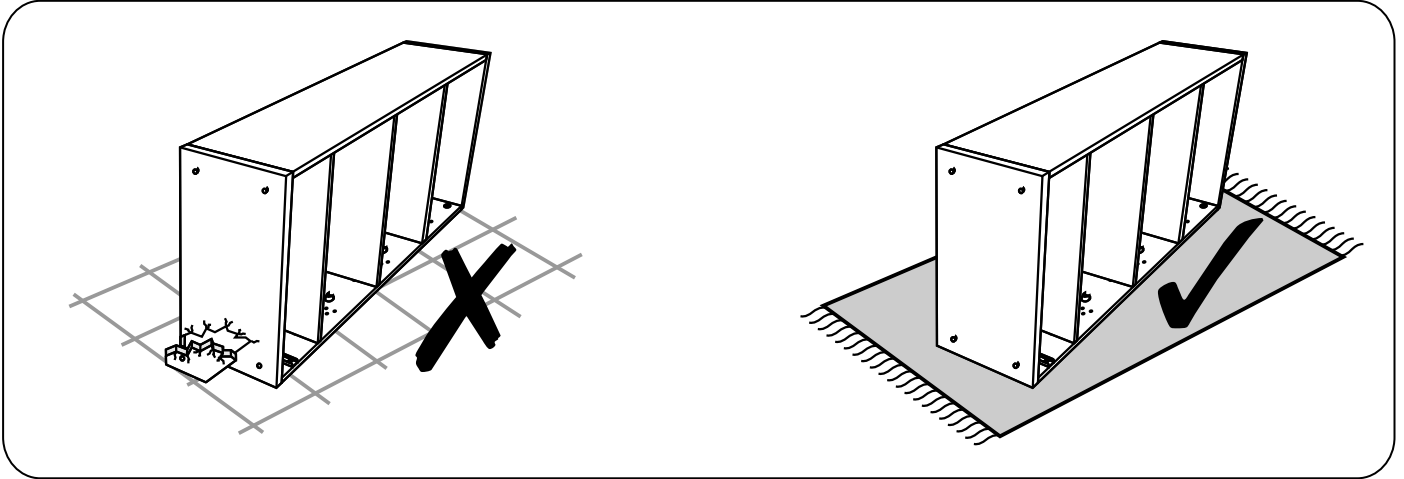
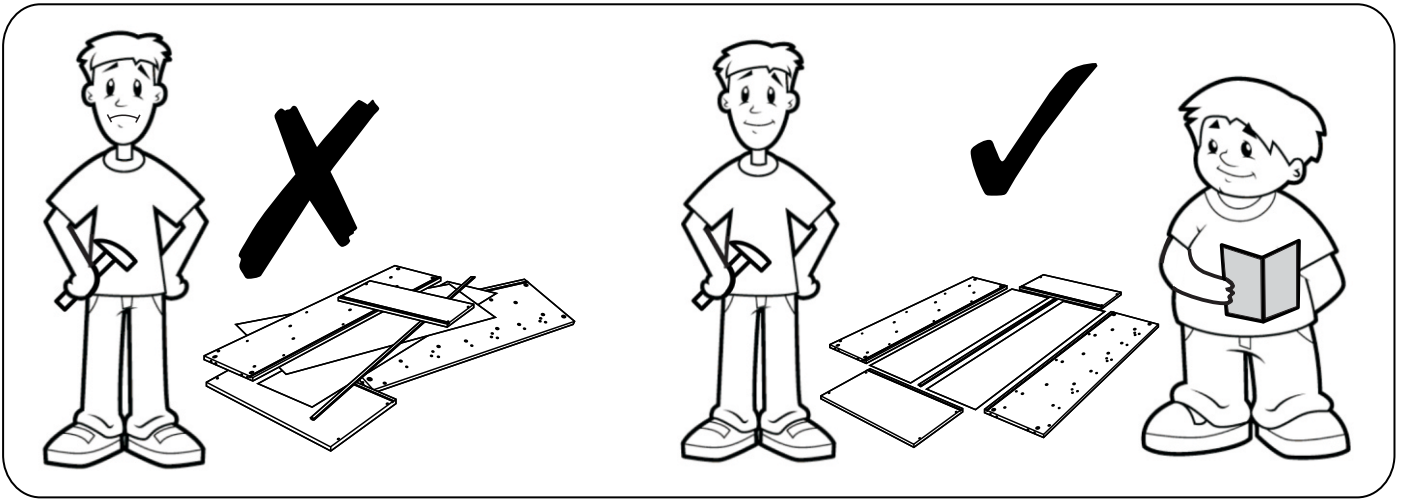
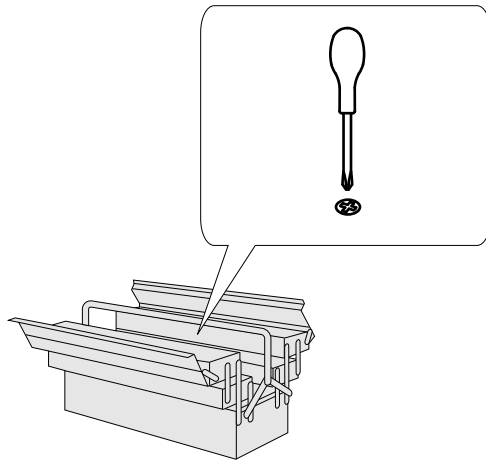
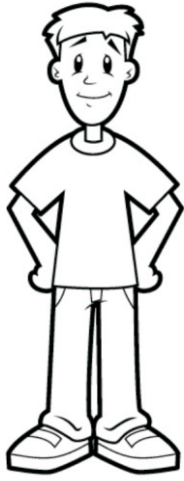


Julian Bowen Limited

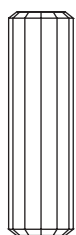
Cameo Cotbed CAM201

Assembly Instructions



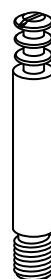


HARDWARE



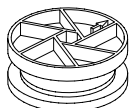
A

5x



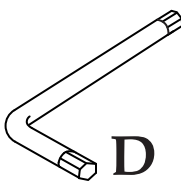
B

4x



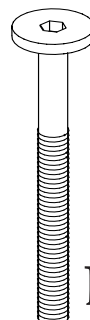
C

4x



D

1x



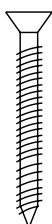
E

8x



F

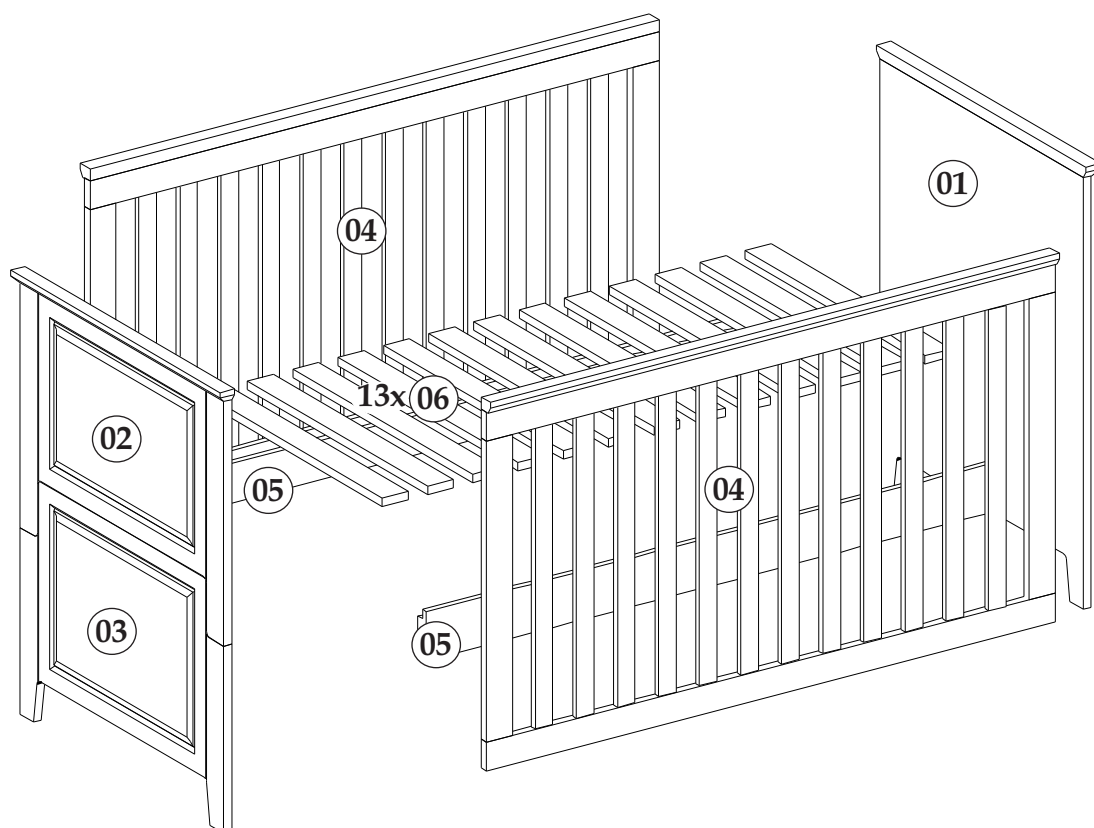
1x



G

26x

PARTS



Safety

Warning: Do not use the cot or bed if any part is broken, torn or missing and use only spare parts approved by the manufacturer.

Warning: Do not leave anything in the cot or place the cot close to another product, which could provide a foothold or present a danger of suffocation or strangulation, e.g. strings, blind/ curtain cords, etc.

Warning: Do not use more than one mattress in the cot.

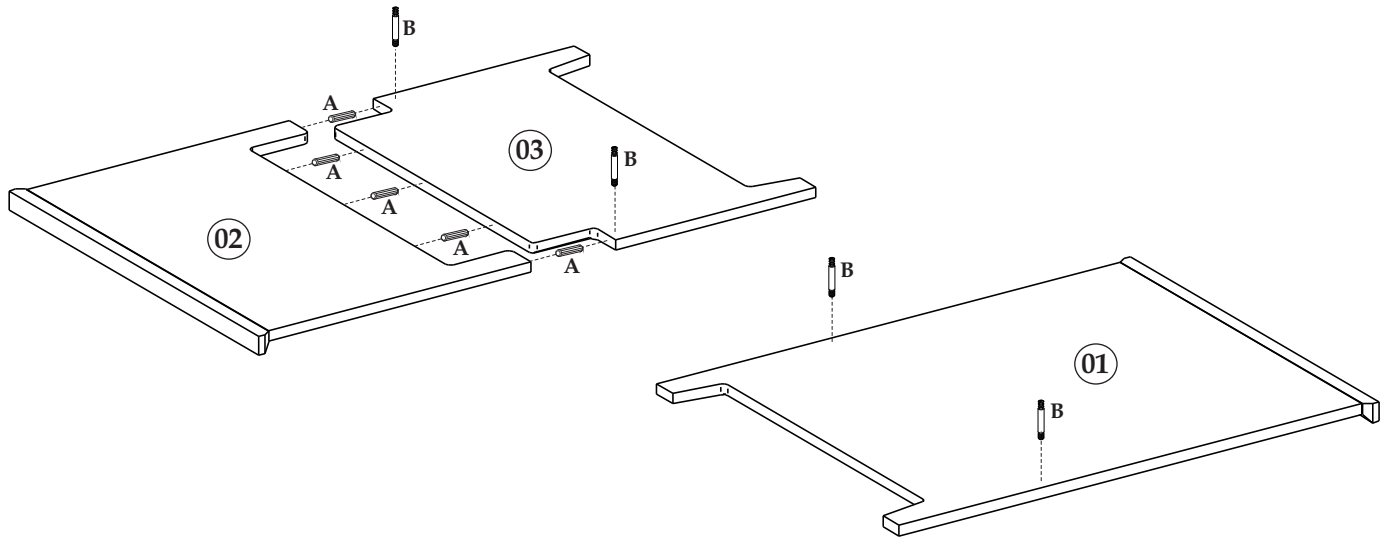
Warning: Be aware of the risk of open fires and other sources of strong heat, such as electric bar fires, gas fires, etc. near the vicinity of the cot.

Warning: Do not place this child's bed near heat sources, windows or other furniture.

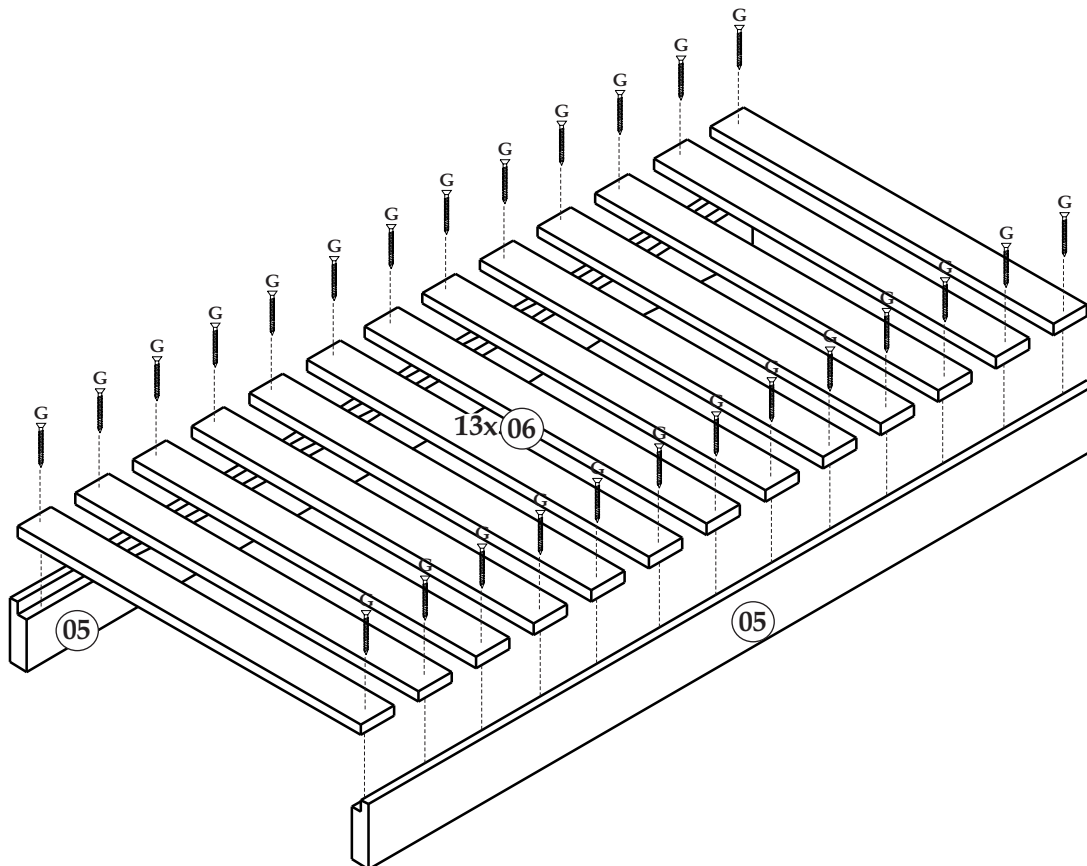
Warning: This Cotbed is not designed to be used as a Daybed with 3 high sides and removing one of the safety rails. This may cause significant risk to the child.

- The base can be adjusted in height in cot mode, but the lowest position is the safe stand should always be used in that position as soon as the baby is old enough to sit up.
- This product is suitable for a mattress of 1400mm in length and 700mm in width.
- The length and width of the mattress shall be no less to ensure the gap between the mattress and the sides and ends does not exceed 30mm.
- The thickness of the mattress shall be such that the internal height (surface of the mattress to the upper edge of the cot frame) is at least 500mm in the lowest position of the cot base and at least 200mm in the highest position of the cot base.
- The bed mode is suitable for a child from 18 months old to 4 years old.
- Children are likely to play, bounce, jump and climb on beds, therefore the child's bed should not be placed too close to other furniture or windows, blind cords, curtain pulls or other strings or cords. It should be placed either tight to any wall or have a gap of 300mm between the wall and the side of the bed.
- The bed can be carefully dismantled for storage and transportation.
- To prevent injury from falls the cot should no longer be used for the child once they are able to climb out of the cot.
- This product conforms to: BS EN 716-1: 2008 + A1: 2013 and BS 8509: 2008 + A1: 2011
- The bed can be carefully dismantled for storage and transportation but the slatted base system (slats and 2 side rails) should be left in one piece. Do not dismantle by removing the 26 x Self-Tapping Screws (G).

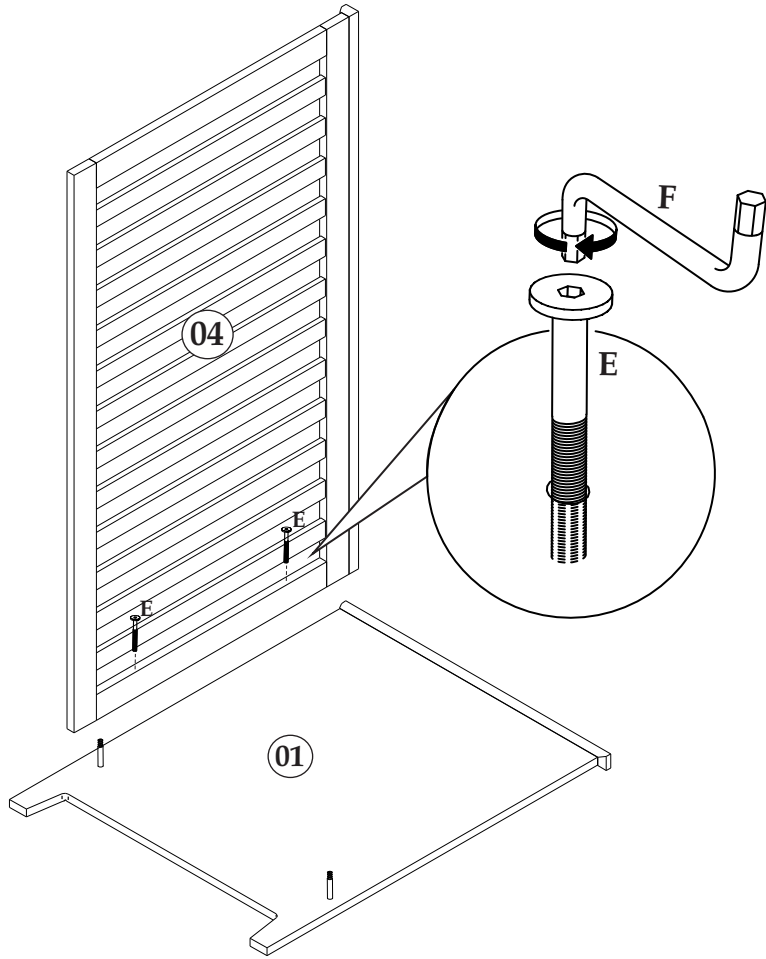
1 - COT MODE



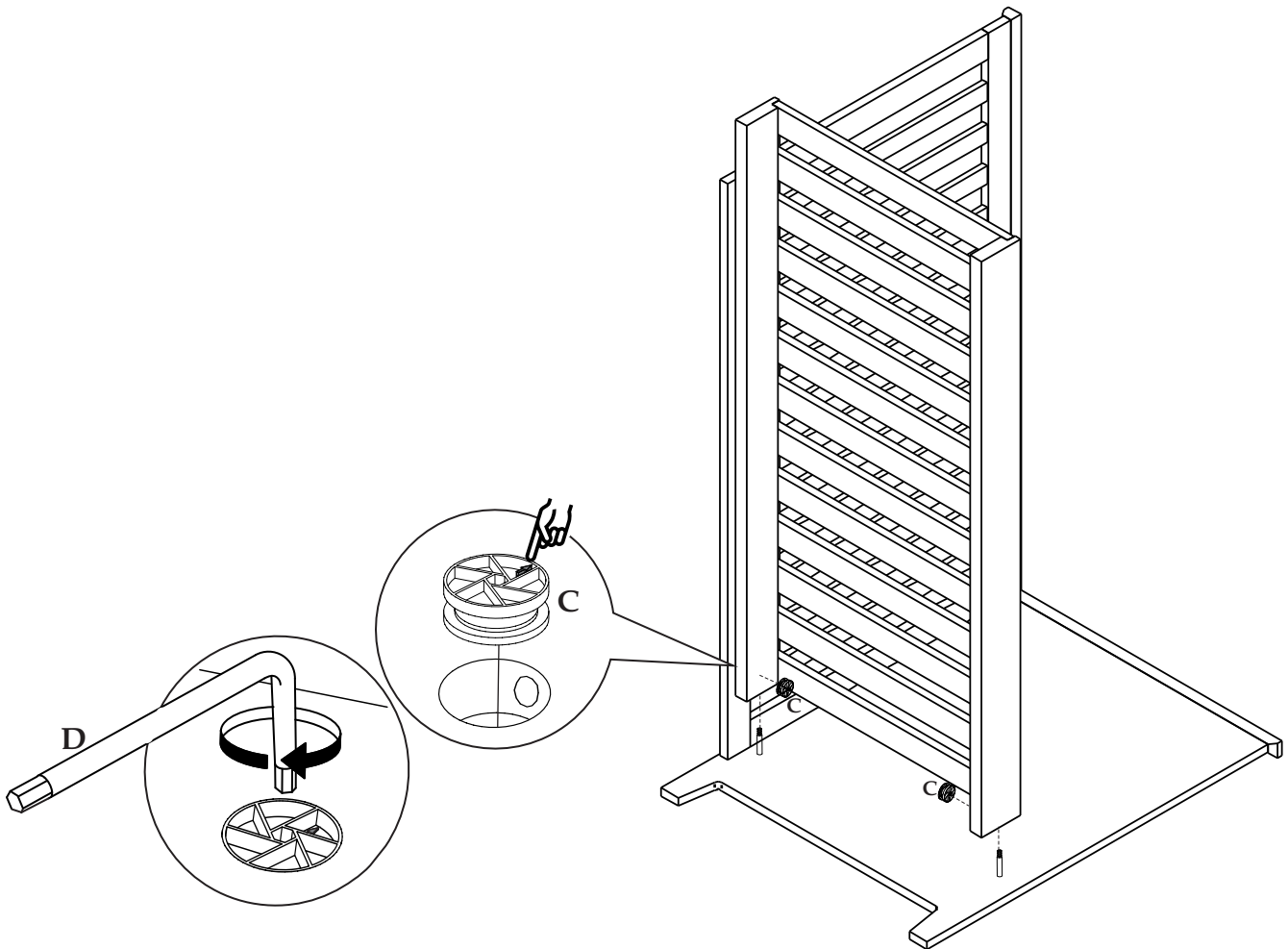
2



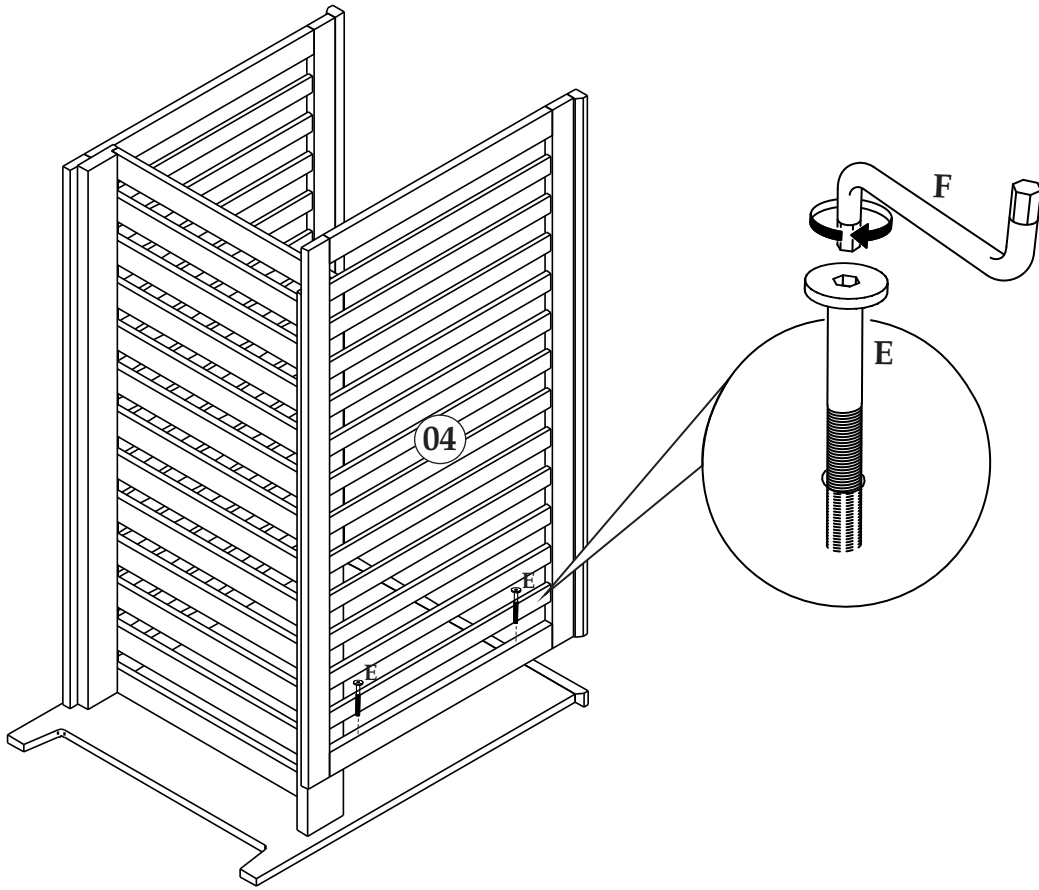
3



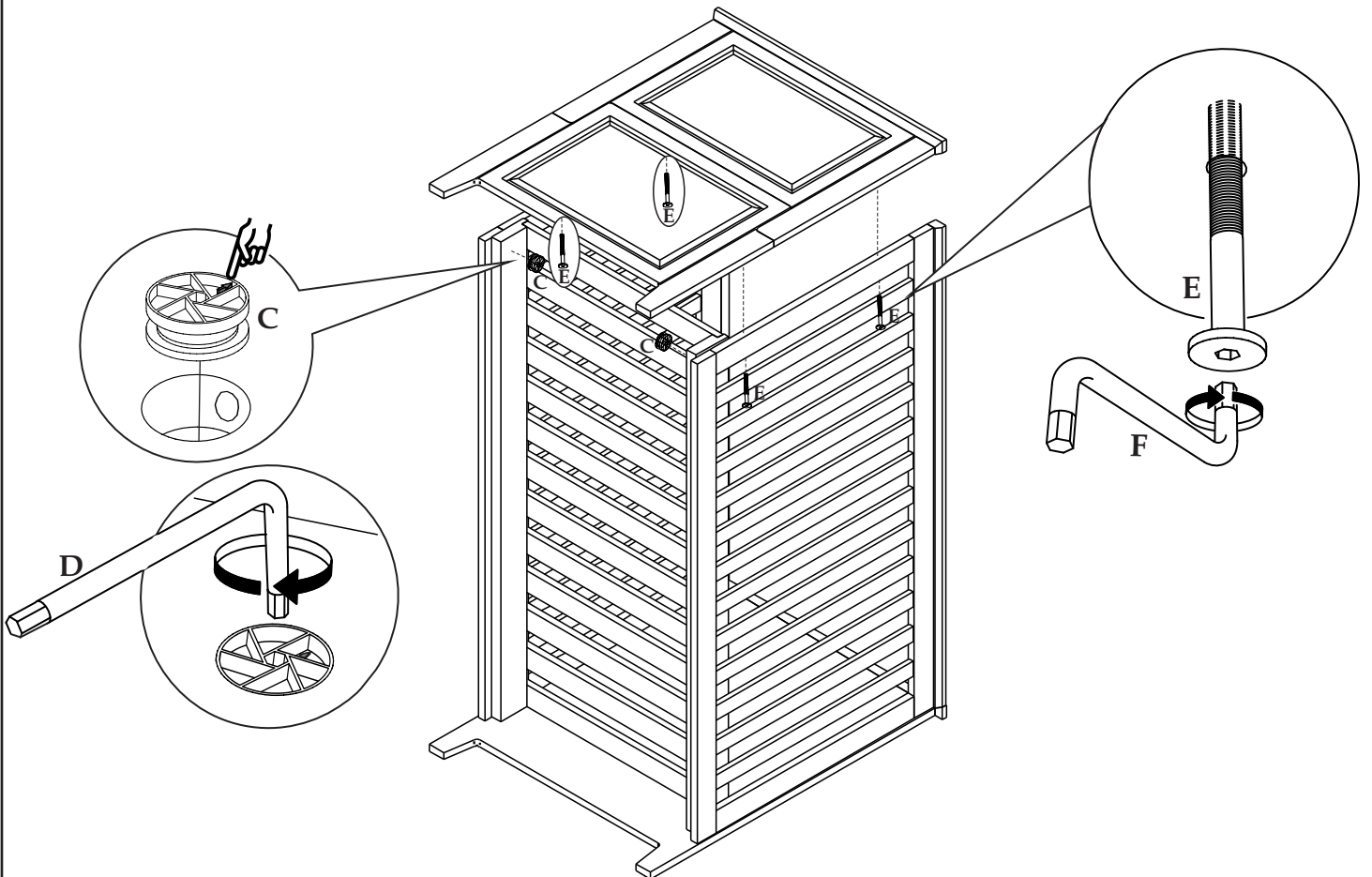
4



5

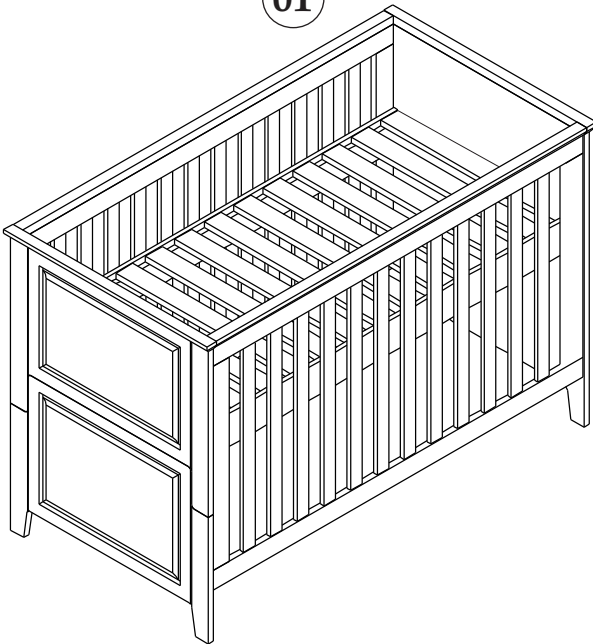


6

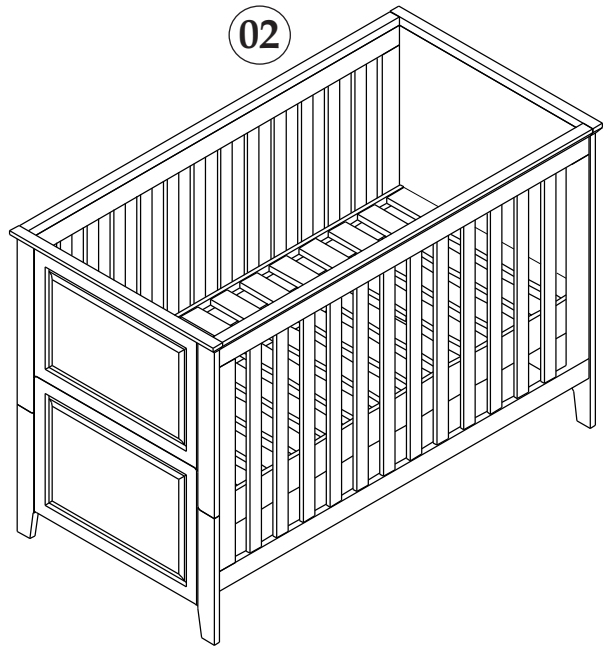


7

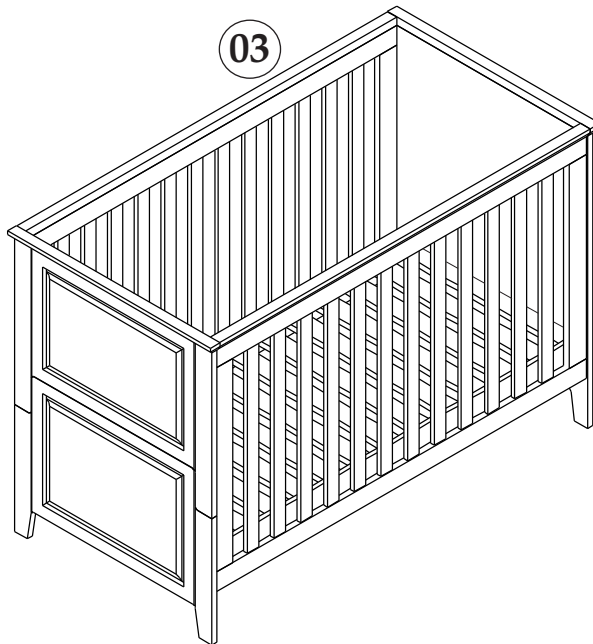
01



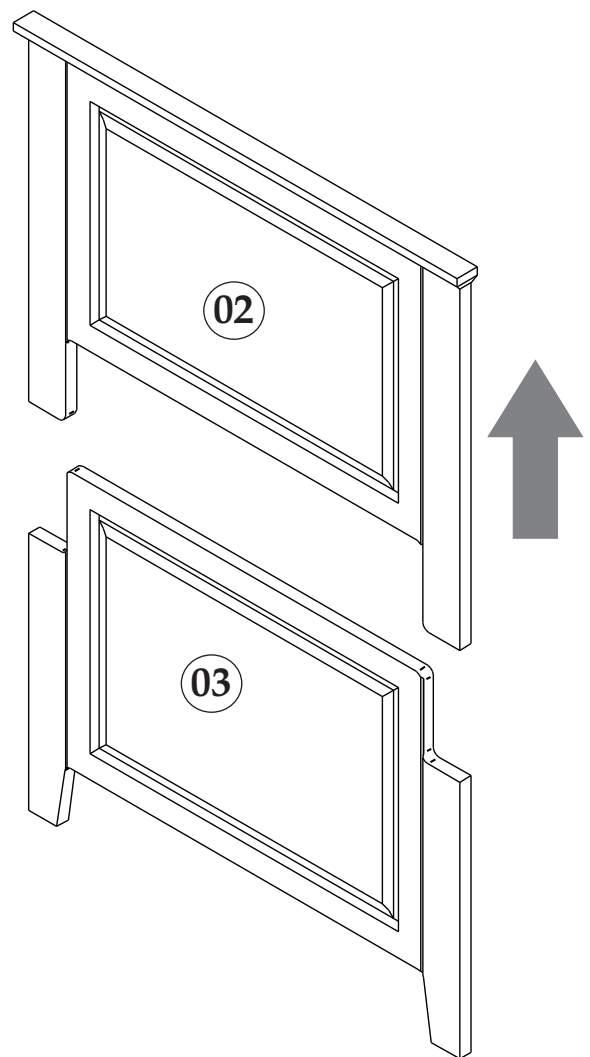
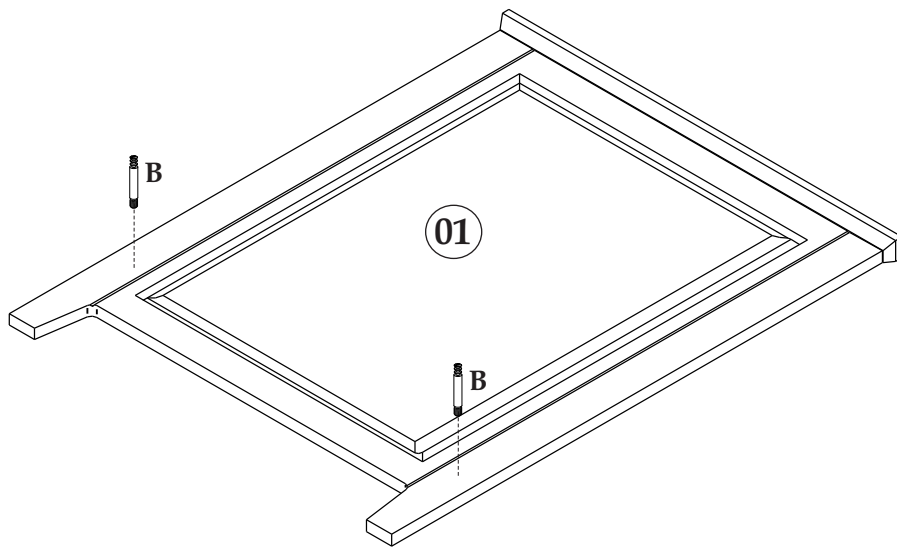
02



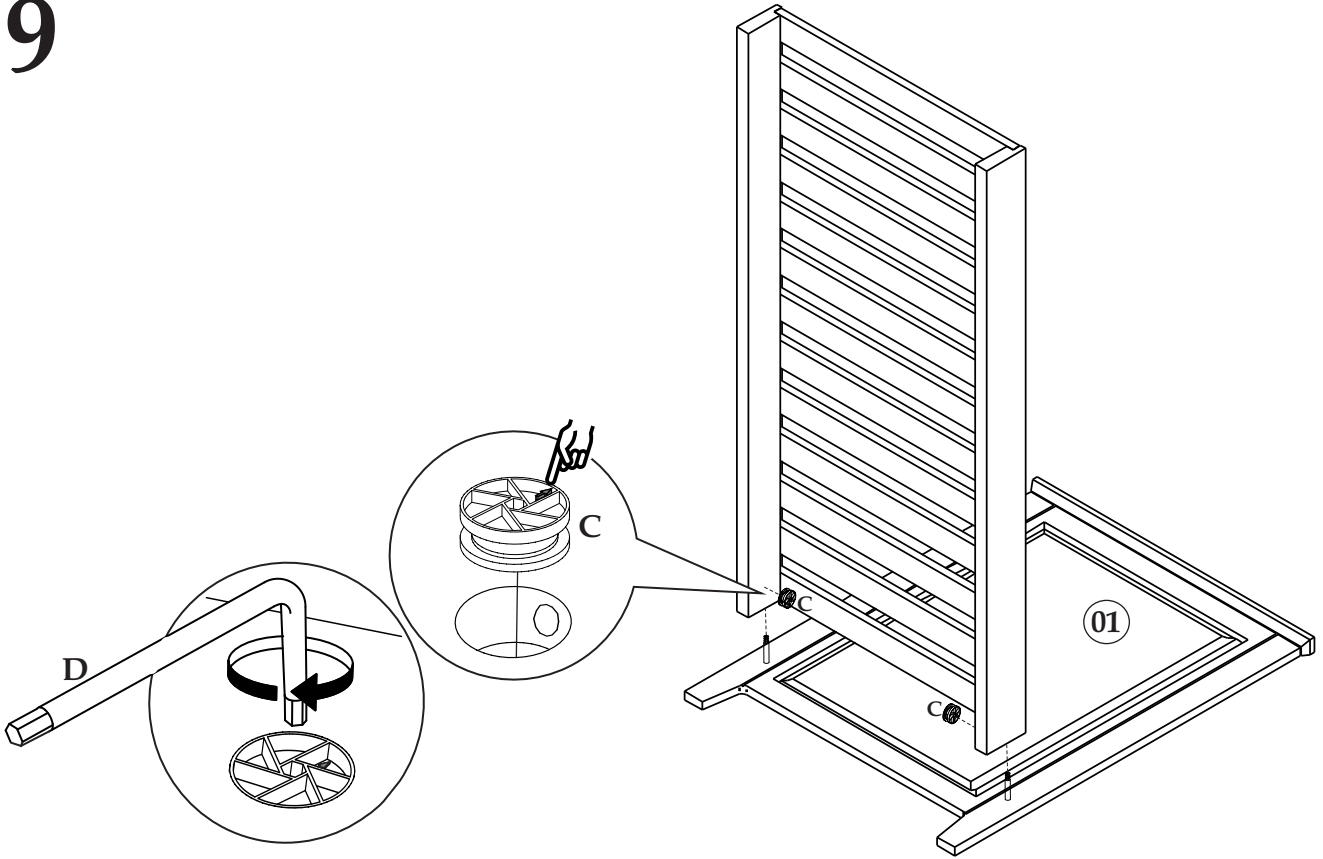
03



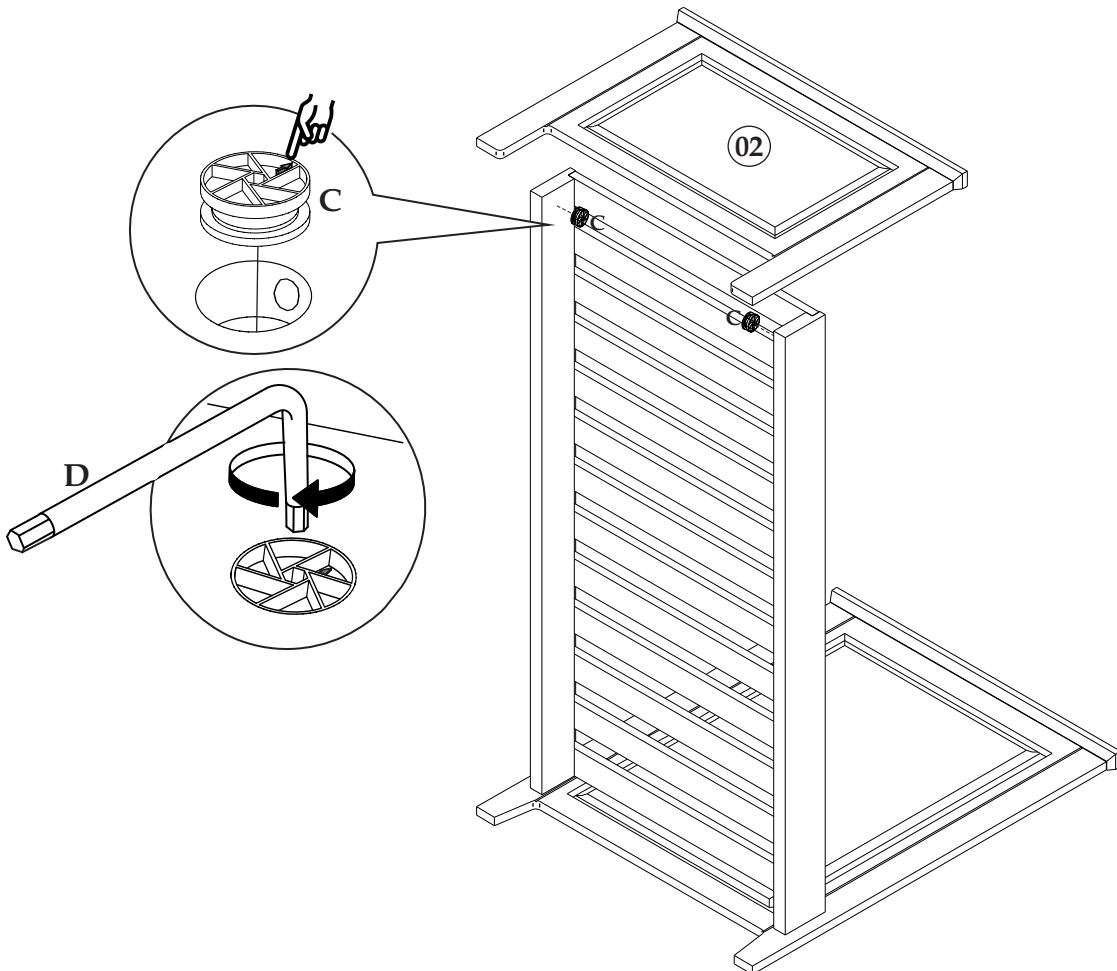
8 - BED MODE



9



10



General Care

All assembly fittings should be tightened properly and should be checked regularly and re-tightened as necessary.

Cleaning

Your Cameo Cot or Bed can be cleaned by wiping with a damp cloth and drying with a soft clean cloth. Do not use abrasives, bleach, alcohol or ammonia based household polishes.

Warning

This unit is heavy. Please use an assistant when lifting

Notes

We have tried to make this piece of furniture as easy to assemble as possible. In the unlikely event that you have problems putting it together or have damaged or missing pieces, please contact our customer services department on 01623 727374.

Julian Bowen Limited
Bentinck House, Park Lane Business Park, Kirkby-in-Ashfield, Notts, NG17 9LE
www.julian-bowen.co.uk