

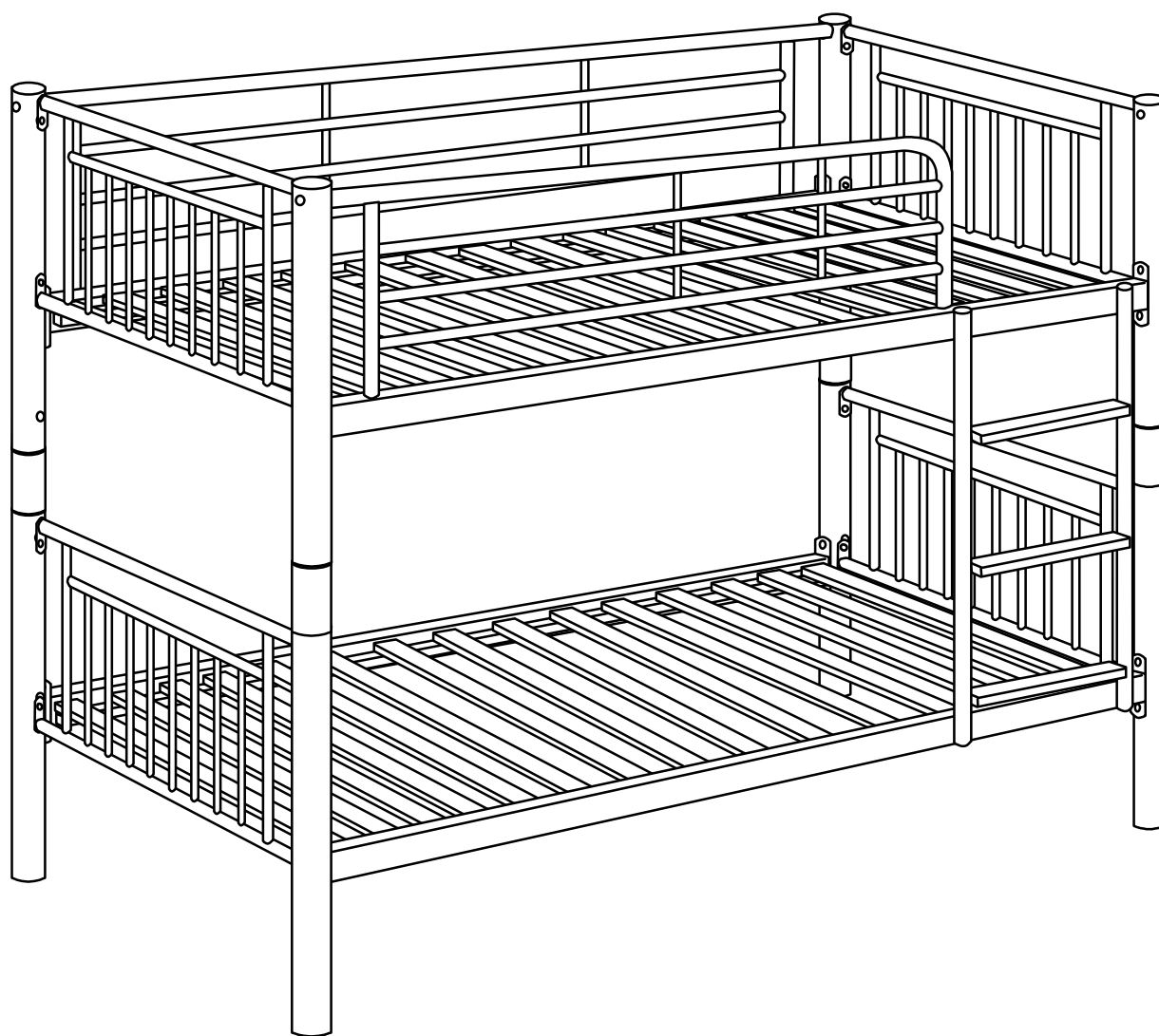
**IMPORTANT - READ CAREFULLY - RETAIN  
FOR FUTURE REFERENCE**

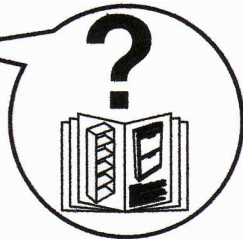
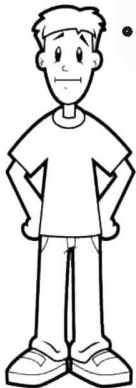
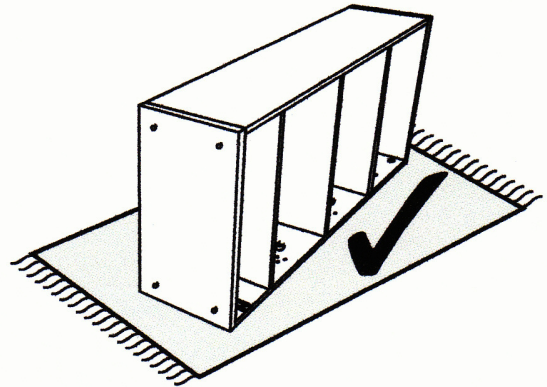
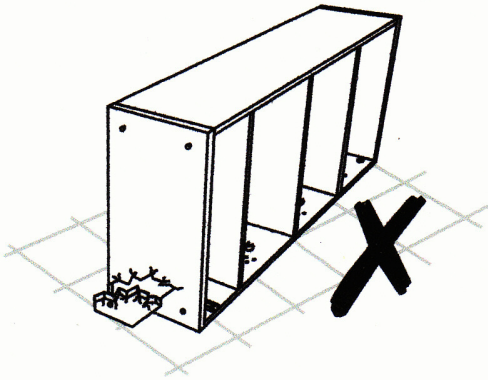
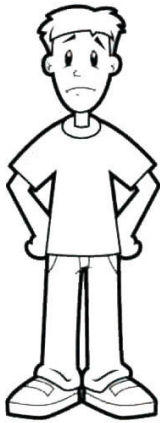
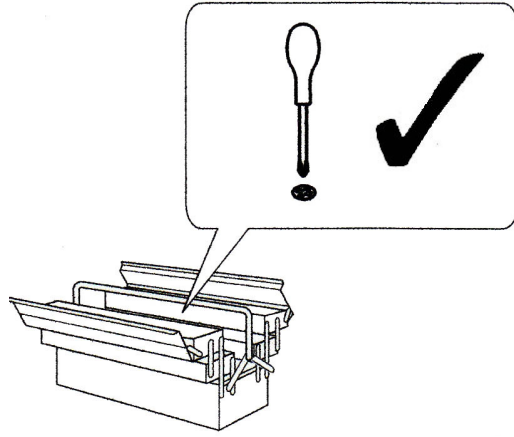
# **Julian Bowen Limited**

## **Atlas Metal Bunk Bed**

### **Aluminium**

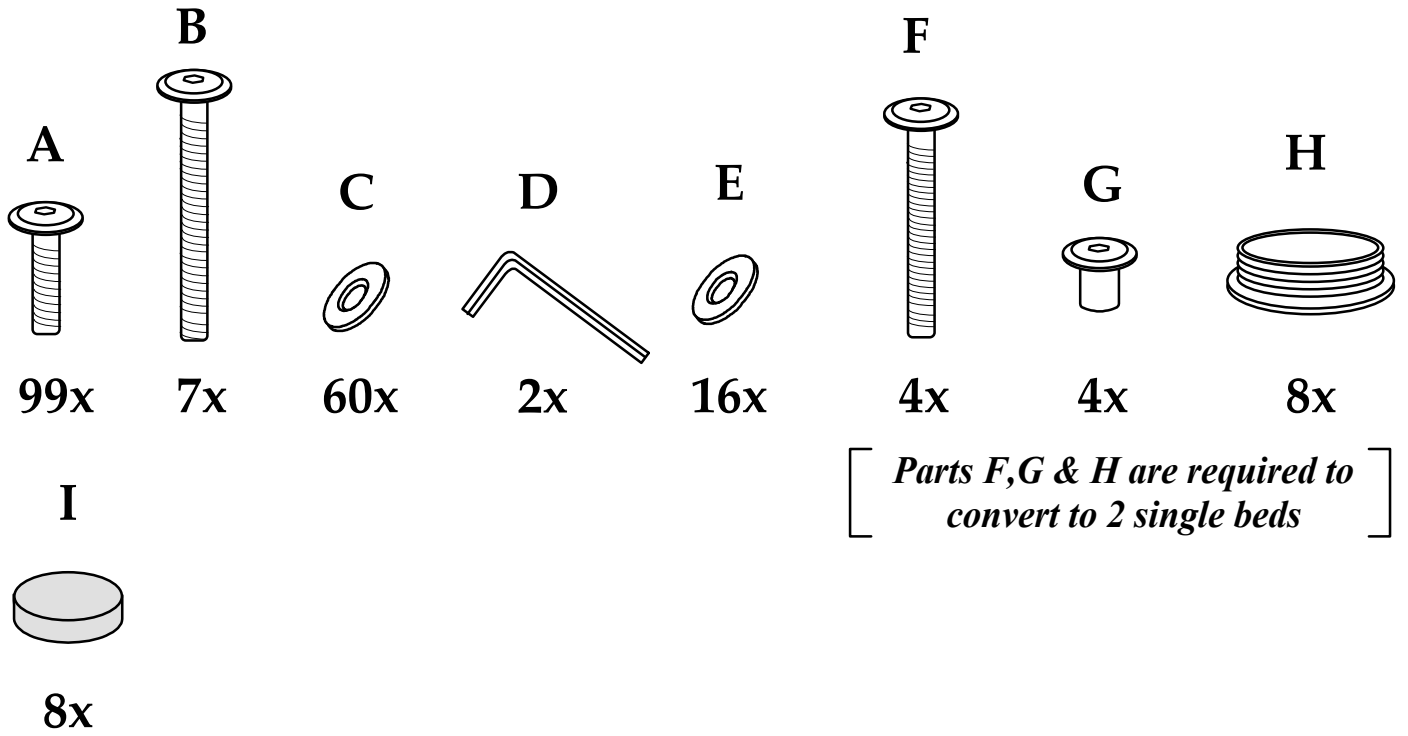
#### **Assembly Instructions**



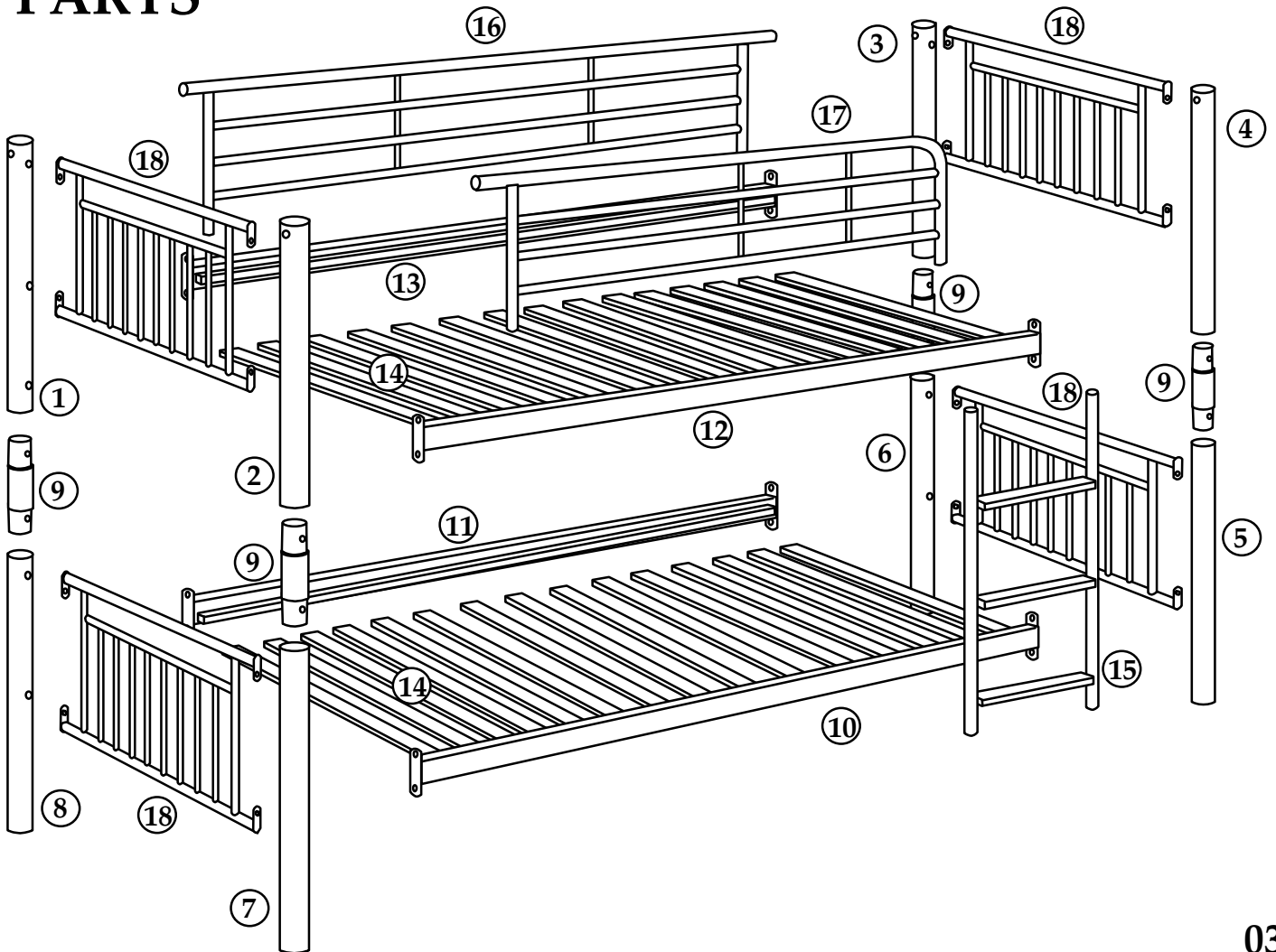


**Julian Bowen Limited**  
**(01623 727374)**

# HARDWARE



# PARTS



# Safety Advice

Please take the time to carefully read through the whole of these instructions before you commence.

Keep these instructions for future reference.

Unpack, inspect and check off all of the contents.

Please dispose of all packaging safely.

Small component parts could choke a child if swallowed.

We strongly recommend that you keep children well away from the work area.

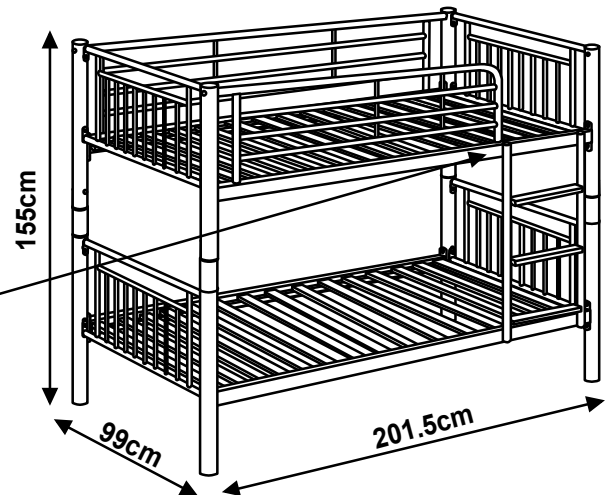
It would be sensible to lay a sheet or blanket on the floor where you intend to work to avoid scratching this product and to protect your floor.

This product is heavy. Take extreme care when lifting to avoid personal injury or damage to the product.

Assemble the product as close to its intended final position in the room as possible.

**HANDY HINT:** If you keep the hardware in a bowl during assembly you will be less likely to lose them.

ATLAS BUNK BED	CERTIFICATION LABEL
Product Code - ATL001/ATL004	This bunk bed model has been tested by an independent laboratory and is in compliance with EN 747-1:2012 +A1:2015 - Standard Consumer Safety Specification For Bunk Beds
Distributed by: Julian Bowen Limited Bentick House, Park Lane Business Park, Kirby-in-Ashfield, Notts, NG17 9LE	
Factory ID: Manufactured in China	
Date of Manufacture: Jun 2015	
<b>WARNING :</b> This upper bed is not suitable for children under six years	



## Important Information

Tighten firmly all the fittings when the assembly is complete.

The bed base is an integral and indissociable part of the bed.

**WARNING:** High beds and upper bed of bunk beds are not suitable for children under six years due to the risk of injury through falls.

It is not safe to use this product if any part of the structure is missing or broken.

Children could strangle themselves with articles, such as ropes, strings, cords, harnesses and belts attached to or hung on this product.

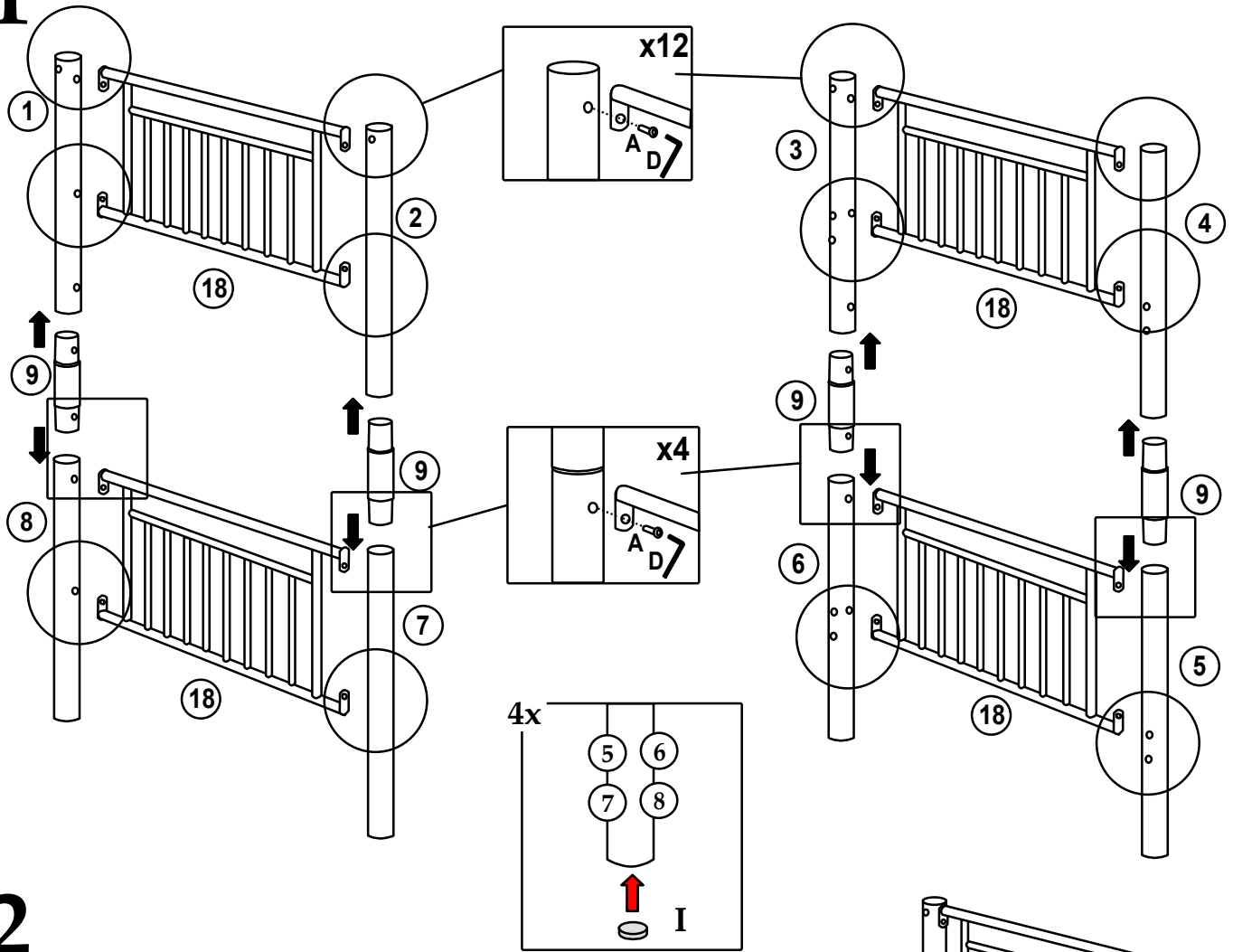
**WARNING:** Children can become trapped between the bed and the wall. To avoid risk of serious injury the distance between the top safety barrier and the wall shall not exceed 75mm or shall be more than 230mm.

The largest size of the mattress recommended is : 190 x 91 x 20cm.

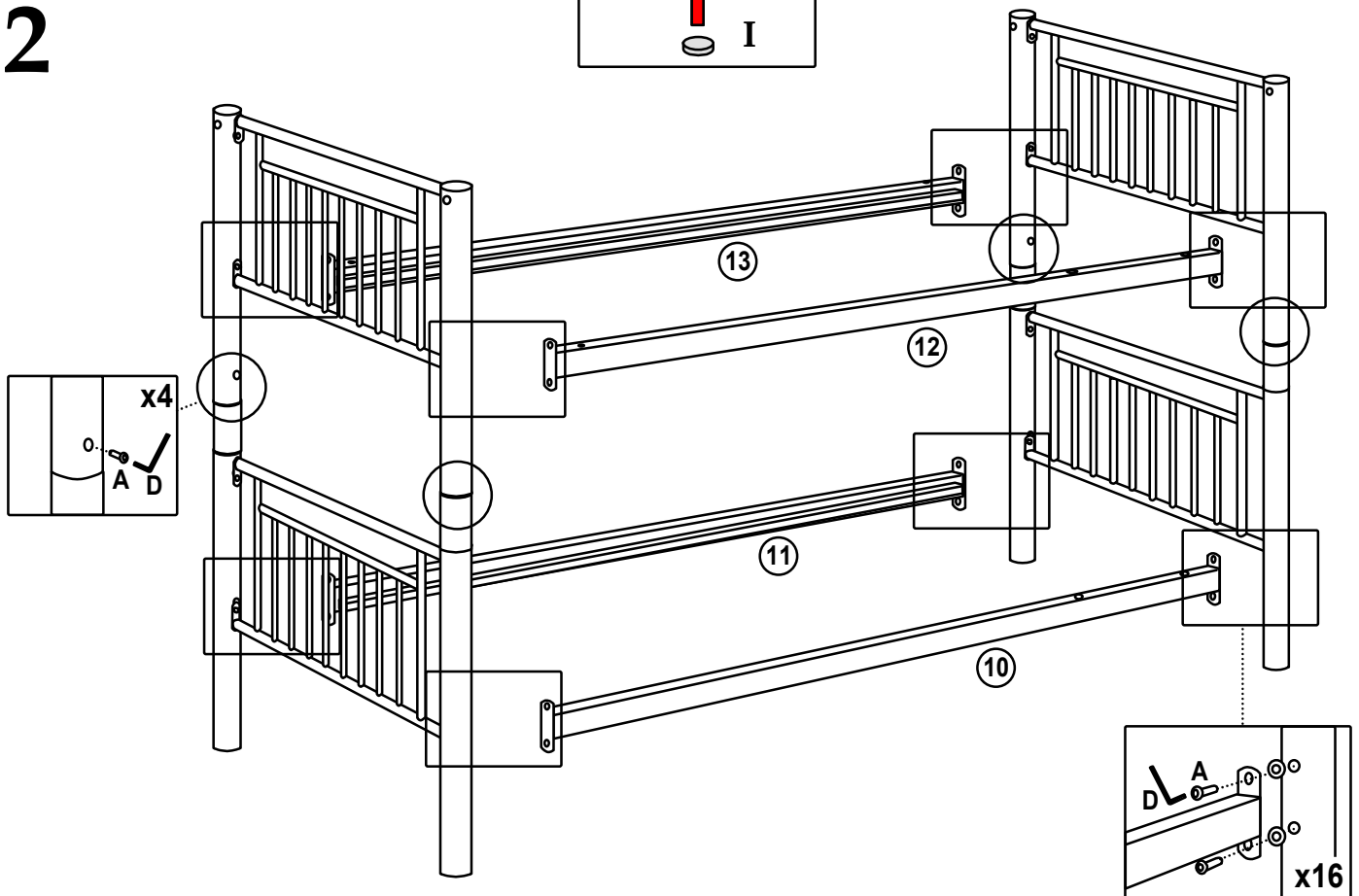
The bed has been tested to ensure compliance with BS EN 747-1:2012 + A1:2015.



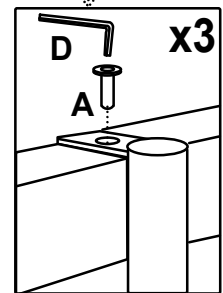
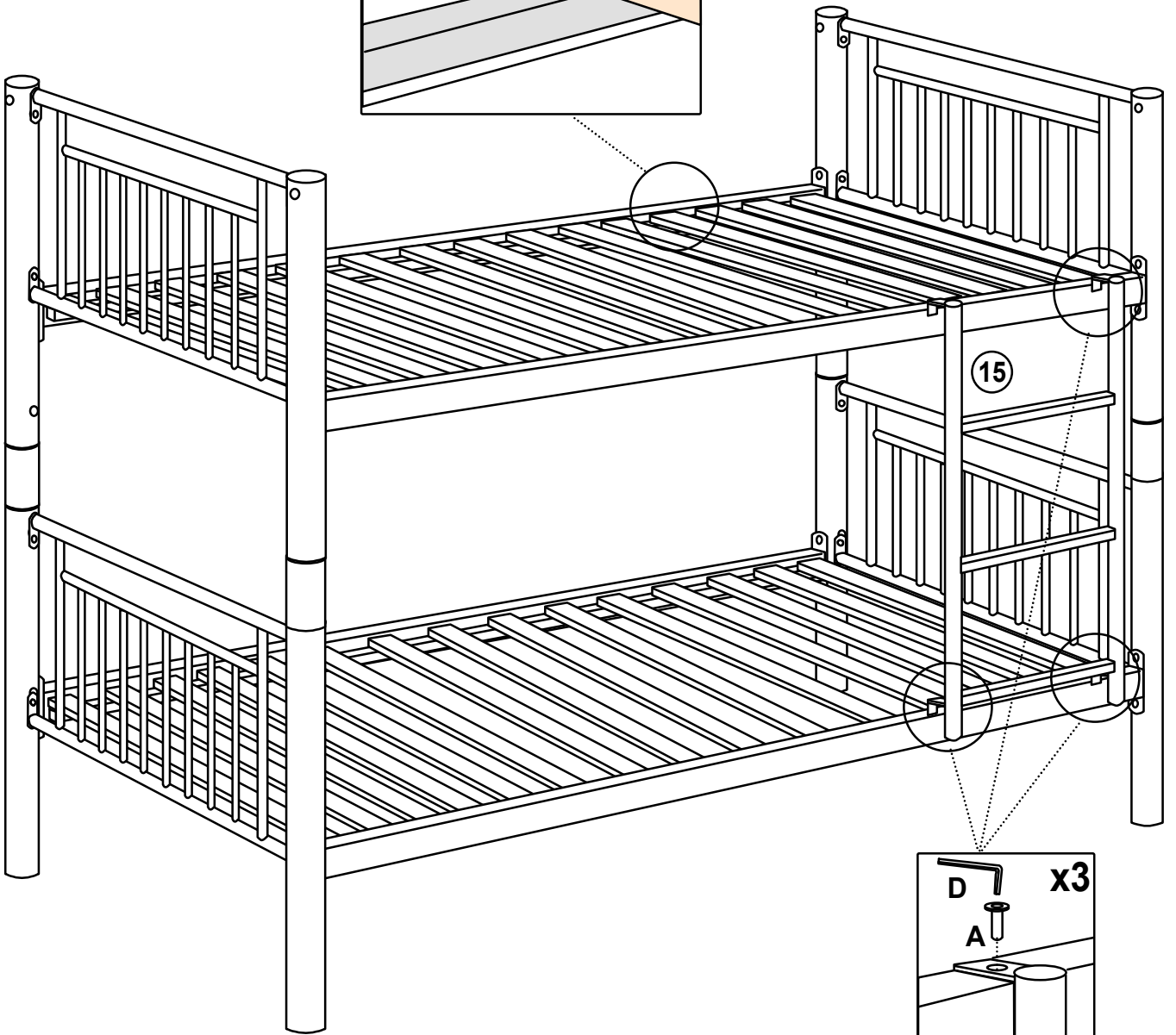
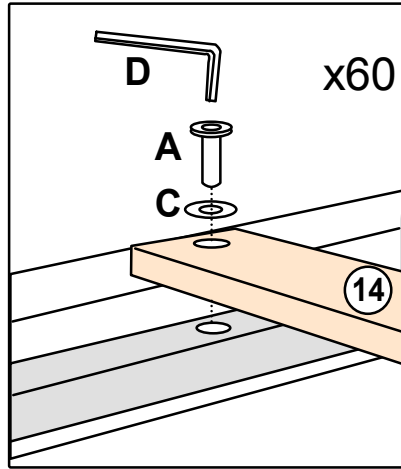
# 1



# 2

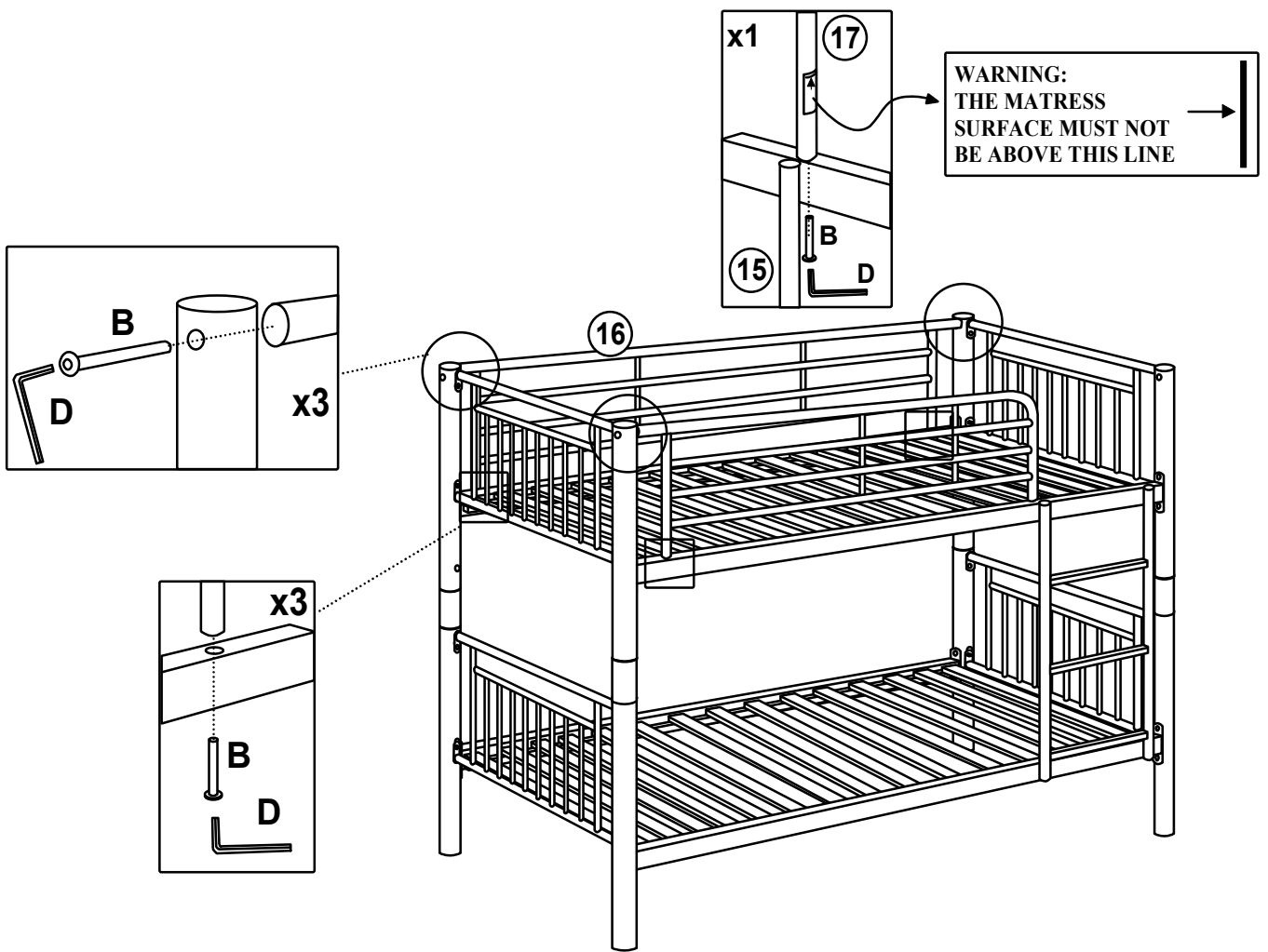


# 3

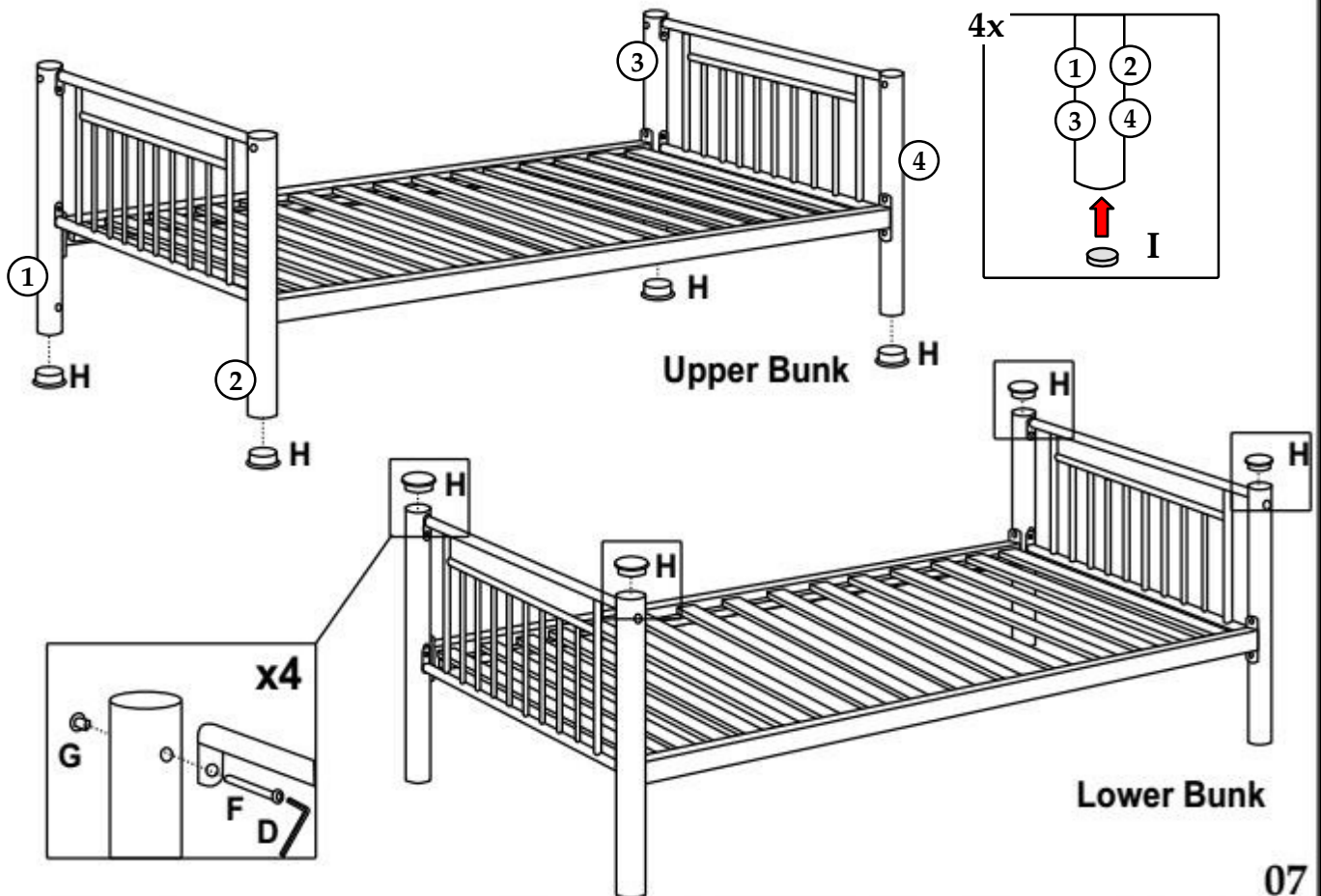




# 4



## Conversion into 2 single beds



## General Care

Wipe clean with a slightly damp soft cloth.

Avoid the use of all household cleaners and abrasives.

When moving your furniture, carefully lift into place.

Never drag or push the pieces across the floor as this will cause damage to the joints and could result in failure to the product that will invalidate the warranty.

## Recommendations

Periodical re-tightening of fixings.

## Warning

This unit is heavy. Please use an assistant when lifting.

## Notes

We've tried to make this piece of furniture as easy to assemble as possible.

In the unlikely event that you have problems putting it together or have damaged or missing pieces, please contact our customer services on 01623 727374

Julian Bowen Limited

Bentinck House, Park Lane Business Park, Kirkby-in-Ashfield, Notts, NG17 9LE

[www.julian-bowen.co.uk](http://www.julian-bowen.co.uk)