

# **REVOLUTION ROWING**

## **Double Scull Car Rack Assembly and User's Manual**



### Items in the box:

- (2) Padded Crossbars
- (4) 4 foot rails
- (2) 1 3/4 inch X 12 inch rail coupler
- (8) 3 1/2 inch X 1/4 inch bolts
- (4) 2 1/2 inch X 1/4 inch bolts
- (24) 1/4 inch flat washers
- (12) 1/4 inch nylock nuts
- (4) U-bolts and u-bolt plates
- (8) Lobed knobs

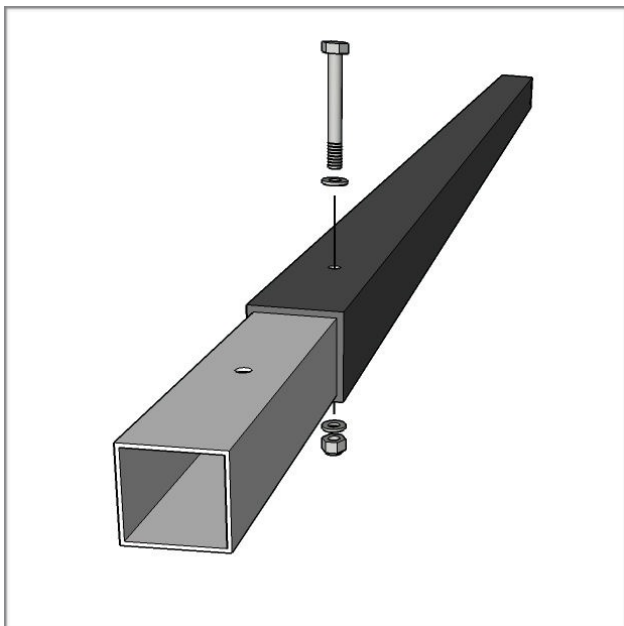
### Tools Needed:

- (2) 7/16" wrenches

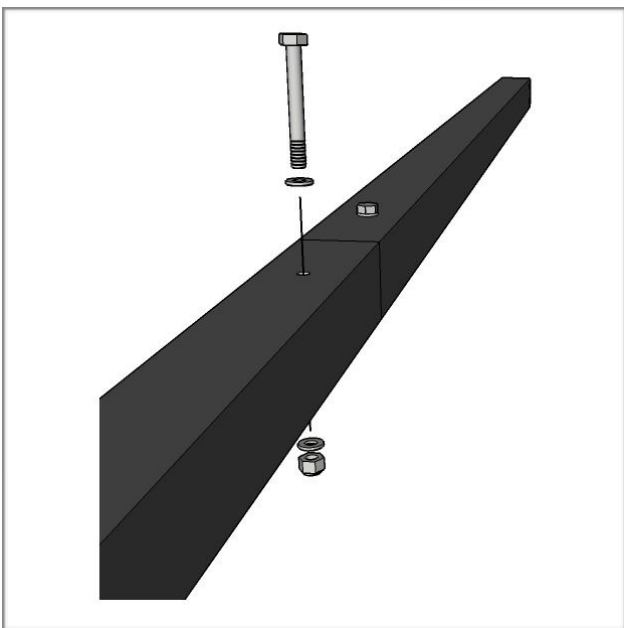
# REVOLUTION ROWING<sup>®</sup>

## Double Scull Car Rack Assembly Manual

### Step 1: Assemble The Main Rails

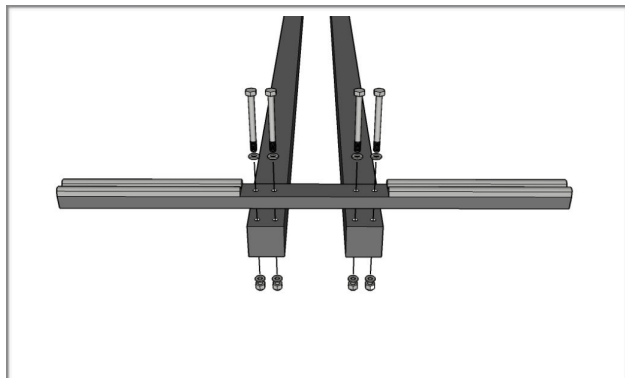


Join two 4 foot rails using a 1 3/4 inch X 12 inch rail coupler, (2) 2 1/2 inch bolts, (4) 1/4 inch flat washers and (2) 1/4 inch nylock nuts to make a main rail. Start by inserting the rail coupler into one of the 4 foot rails at the end of the rail that has a single hole drilled in it. Line up the holes in the coupler with the holes in the rail. Insert a 2 1/2 inch bolt with (2) flat washers and a nylock nut as shown in the diagram through the holes of the 4 foot rail and rail coupler. Tighten the nut and bolt only as tight as you can get with your pinky fingers. Repeat the above steps for the second main rail.



Insert the other end of the rail coupler into the other 4 foot rail, using the end of the 4 foot rail that has a single hole drilled in it. Use a pointed object, such as a pen or a pencil to line up the holes of the rail coupler with the holes of the second 4 foot rail. Insert the second 2 1/2 inch bolt with (2) flat washers and a nylock nut as shown in the diagram through the second set of holes in the 4 foot rail and rail coupler. Tighten both nuts and 2 1/2 inch bolts using your 7/16" wrenches. Tighten only as tight as you can get with your pinky fingers. Repeat for the second main rail.

## Step 2: Attach The Padded Crossbars



Use the (8) 3 1/2 inch X 1/4 inch bolts, (16) 1/4 inch flat washers and (8) 1/4 inch nylock nuts to attach the (2) Padded Crossbars to the assembled main rails as shown. The crossbars attach to the ends of the main rails with (2) holes. Tighten all nuts and bolts with your 7/16" wrenches only as tight as you can get with your pinky fingers.

Your Double Scull Car Rack is now ready to be attached to your vehicle's existing roof racks. Please consult the Double Scull Car Rack User's Manual that follows for installation and use guidelines.

# REVOLUTION ROWING<sup>®</sup>

## Double Scull Car Rack User's Manual

### Step 1: Attach The Double Scull Car Rack to Your Vehicle



We recommend lining up your double scull rack with the tow hooks located underneath your car's undercarriage. These hooks are often located to the left and right sides of your vehicle. They will provide tie down points later for your bow and stern lines.

**Warning! Tie down points should be made of metal (not plastic) and should be securely fastened to your vehicle.**

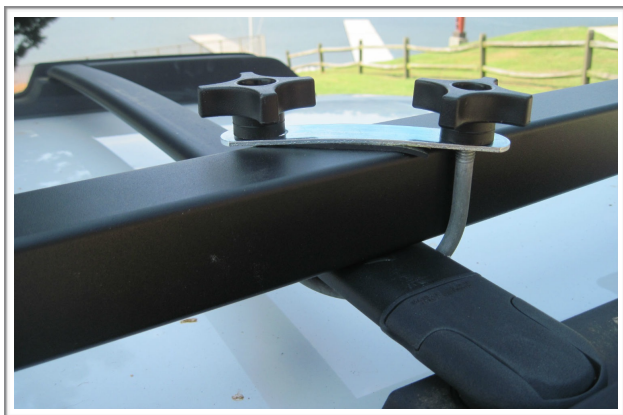


If you are only transporting one boat, we recommend locating your double scull rack to one side of your car. Your vehicle racks are stronger towards the ends, so positioning your load over the ends will result in a more stable attachment point. This will also make it easier to load/unload your boat.

**Warning! Make sure your rack is straight front to back and not angled. You want to make sure your boat and rack are straight into the wind when traveling.**



Center your double scull rack front to back on your vehicle roof racks. Attach your double scull rack to your vehicle roof racks using the included U-bolts.



Tighten the lobed knobs on the U-bolts so that the plates bend over the rail of the double scull rack. U-bolts should be attached at opposing angles. Once tightened, grab the rail of your double scull rack and shake. You should move the entire car such that you hear your gas tank sloshing.

**Warning! Re-check the tightness of the U-bolts frequently during travel.**

## Step 2: Load Your Double Scull On Your Vehicle



Using one person at the bow of the boat and one person at the stern of the boat, load your double scull on to your double scull car rack. Place the boat on the double scull car rack so that the gunnels of the boat rest on the padded crossbars. Make sure the boat is centered side to side on the crossbars.

## Step 3: Secure Your Double To Your Rack And Vehicle



Use (2) boat straps to secure your boat to your double scull rack. Straps should be looped around the boat and padded crossbars of the double scull rack much like you would strap a boat to a trailer. Straps should be pulled tight enough so that they are snug and not crushing the boat.

**Warning! DO NOT over tighten the straps. Over tightening will damage your shell and your rack.**



If you have excess webbing from the straps, make one more wrap around the hull of the boat and then wrap the remaining webbing around one of the main rails of the double scull rack. Tie off the last few inches so that the webbing does not flap in the wind during travel. If you prefer to make the webbing extremely secure, you can use a couple wraps of electrical tape to secure the loose end of the strap.

**Warning! Do not wrap excess webbing on top of the strap buckle. This can cause the buckle to come undone, loosening the strap.**



Your boat is almost ready for transport. By strapping your boat to your double scull rack, you have secured your boat to your roof rack. Now it is time to secure your boat to your vehicle.

**\*Warning\* Do not transport your boat as pictured. Add a bow and stern line before transporting so that your scull is anchored to your vehicle.**



A bow and stern line will anchor your boat to your vehicle and will help keep your boat straight into the wind, especially at highway speeds. Parachute cord or a similar thin, yet strong, rope should be used for bow and stern lines. Parachute cord will cut through the wind much easier than the webbing on straps. When used as bow and stern lines, straps tends to vibrate in the wind, which can cause damage to the paint on your boat and car. The towing hooks mentioned in Step 1 should be used as the anchor point for your bow and stern lines.



If you prefer not to get on your back and search for a tow hook under your vehicle each time you need to run a bow and stern line, you can purchase a pair of “Hood Tie Downs” from Revolution Rowing. Hood Tie Downs may be used as an alternative anchor point under the front hood and trunk of your vehicle.



**Add a caution flag!** Most state departments of transportation require a 18" X 18" red flag on loads that project more than 3 feet past the limits of the vehicle. Please review all local laws and the laws of any states you will be driving through for compliance.



Make sure that all other accessories and/or loose parts are secured before traveling. Failure to secure loose objects could result in lost equipment and accidents while traveling.



## Step 4: What Not To Do With Your Double Scull Car Rack



Do not transport your boat rigged. Although it is possible to transport your double scull rigged, Revolution Rowing strongly advises against this. The rigging from your shell can pose an overhang hazard over the sides of your vehicle. This hazard can cause head injuries upon entering/exiting your vehicle or damage to the roof of your vehicle. Also, most double sculls available today will not have enough clearance between the rigging of the boat and the main rail of the single scull rack to make transporting your boat rigged possible.



Do not make modifications to your roof rack. This is dangerous and will automatically void your warranty. It is the customer's responsibility to make sure that their Double Scull Car Rack is correctly assembled and maintained.

Still have questions? 770-561-9995 or [info@revolutionrowing.com](mailto:info@revolutionrowing.com)

## Double Scull Car Rack Guidelines

When using Revolution Rowing Double Scull Car Racks, there are precautionary measures that the user must follow. The following list will guide you to use your product in a safe manner.

- Only use approved fasteners and mounting hardware provided by Revolution Rowing to assemble and attach your Double Scull Car Rack to your existing vehicle roof racks. Fasteners and hardware should be inspected periodically for wear, corrosion and fatigue.
- Never exceed the manufacturer's recommended weight limit for your vehicle roof racks. Total weight is the sum of the weight of your load plus the weight of accessories used to carry the load.
- Check your load at stops during your trip. Straps, ropes and U-bolts should be tightened and re-tightened to keep your load safe.
- Know local, state and federal laws regarding over length and oversize loads. Be aware at all times how far your load projects beyond the limits of your vehicle. Long loads should always be secured to the front and rear of the vehicle using bow and stern lines and flagged for safety.
- Follow all posted speed limits and traffic cautions. Adapt your driving to road conditions and the load being carried.
- Remove your Revolution Rowing Double Scull Car Rack when not in use.
- Revolution Double Scull Car Racks are not for use on trailers or towed vehicles.
- Consult Revolution Rowing if you have any questions about the operation or limitations of Revolution Rowing products.

## Limited 30 Day Warranty

Effective September 3, 2015

Revolution Rowing will warranty all Revolution Rowing brand Single Scull Car Racks manufactured by Revolution Rowing for a period of 30 days after purchase. This warranty is available to the original retail purchaser and will terminate if the purchaser transfers the product to any other person.

Subject to the limitations and exclusions described in this warranty, Revolution Rowing will remedy defects in materials or workmanship by repairing or replacing, at its option, a defective product without charge for parts or labor. In addition, Revolution Rowing may elect, at its option, not to repair or replace a defective product but rather issue to a purchaser a refund equal to the purchase price paid for the product, minus shipping charges.

No warranty is given for defects caused by normal wear and tear, cosmetic rust, scratches, accidents, unlawful vehicle operation, or modification of, or any types of repair of, a Revolution Rowing travel products other than those authorized by Revolution Rowing.

No warranty is given for defects resulting from conditions beyond Revolution Rowing's control including, but not limited to, misuse, overloading, or failure to assemble, mount or use the product in accordance with Revolution Rowing's written instructions or guidelines.

No warranty is given for Revolution Rowing products purchased outside of the United States.

In the event that a product is defective, the purchaser should contact Revolution Rowing via the contact information available at the web address at the bottom of this page.

In the event that a product needs to be returned to Revolution Rowing, Revolution Rowing will provide the purchaser with the appropriate mailing address and any additional instructions. Please note that the purchaser will be responsible for the cost of mailing the product to Revolution Rowing.

## Disclaimer of Liability

Repair or replacement of a defective product or the issuance of a refund or credit (as determined by Revolution Rowing) is a purchaser's exclusive remedy under this warranty. Damage to a purchaser's vehicle, cargo and/or to any other person or property is excluded.

This warranty is expressly made in lieu of any and all other warranties, express or implied.

Revolution Rowing's sole liability to any purchaser is limited to the remedy set forth above. In no event will Revolution Rowing be liable for any lost profits, lost sales, or for any consequential, direct, indirect, incidental, special, exemplary, or punitive damages or for any other damages of any kind or nature.