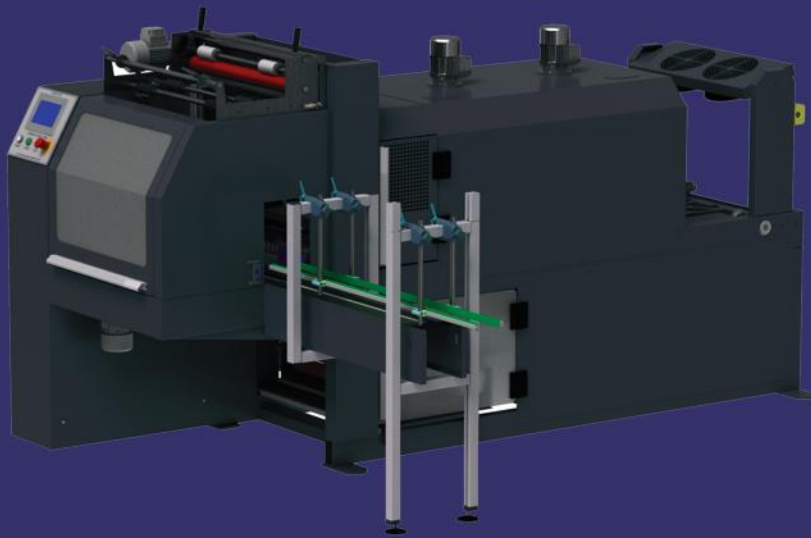


CPACK LTD

TECHNOLOGY IN MOTION



SHRINK KING



- New cool cut sealing system
- Automatic pusher assembly, no change parts required
- New designed high-efficiency tunnel
- Auto or semi-auto available
- HMI Touchscreen Interface as standard
- Powered twin film feed system
- Fully programmable and user-controllable
- Product presets in PLC memory
- Twin afterpack cooling units
- Fine mesh stainless steel tunnel belt
- Choice of stainless or powdercoated finishes

Cpack presents the new SHRINK KING range of high efficiency sleeve wrapping systems. Building on our popular Monoblock range, numerous improvements have been made resulting in our most advanced sleeve wrapping systems yet. Featuring a newly redesigned pusher assembly and cool cut sealing system, combined with high efficiency shrink tunnel saving up to 40% on power consumption, No change parts required for different products, improving versatility and flexibility reducing change over time. If your production requires the best of UK Manufactured machines, look no further than our SHRINK KING range.

With efficiency at the core of its design, the SHRINK KING range utilize our new heat recycling system ensuring a smaller amount of heat is lost from the shrink tunnel to minimize the running cost of the system. In addition high performance insulation is fitted to the tunnel further reducing heat loss. Wrapping up to 20 collations per minute,

**WORLD-LEADING PACKAGING MACHINERY
DESIGNED & BUILT IN THE UK**