



**WINE & BEER
SUPPLY**

**WINE
GIFT BOX**

ASSEMBLY BEST PRACTICES

Thank You for purchasing your Gift Boxes!
Follow these steps to make the assembly process easy:

1

Assemble your exterior Gift Box, per included instructions. *Nice start!*

2

Assemble your interior Wine Bottle Holder, per included instructions, and place it into the center of the assembled Gift Box. *Getting there!*

3

Insert the glasses into their holders before putting them into the Gift Box. It is tougher to insert the glasses into the holders while in the box.
Let's keep it going!

4

Taking time and care to assemble the Gift Boxes will guarantee that the final presentation of the gift box has clean folds and is structurally stable.
Congratulations Cardboard Origami Champions!

**We've tested the assembly process to ensure that
you and your customers will be happy with the Gift Boxes!**

Thank You!
The Wine & Beer Supply Team

**SUPPLIES, SERVICES
& SOLUTIONS!**

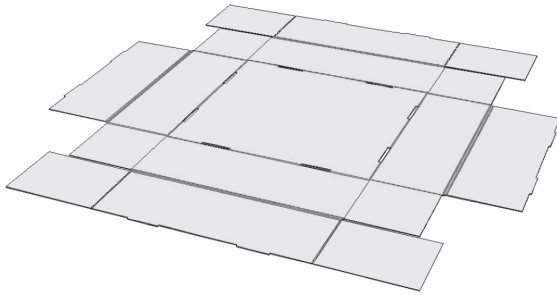
WINEANDBEERSUPPLY.COM

EXTERIOR INSTRUCTIONS

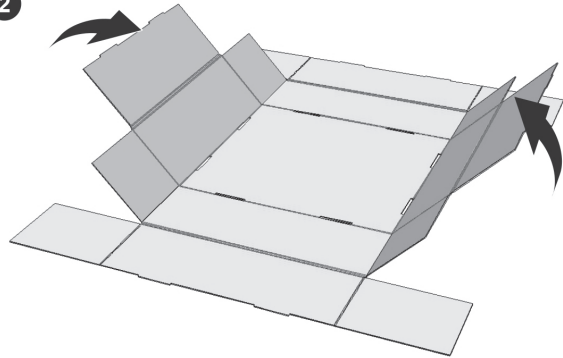
WINE & BEER SUPPLY

WINE GIFT BOX

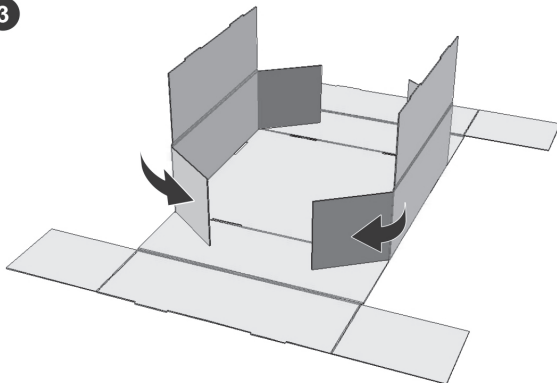
1



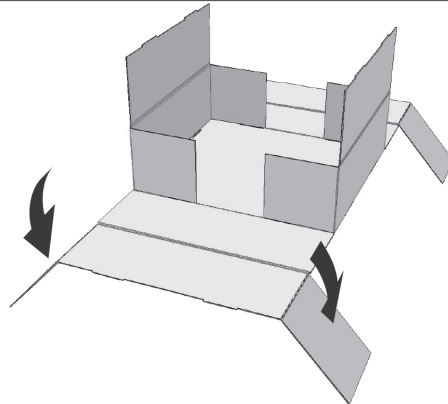
2



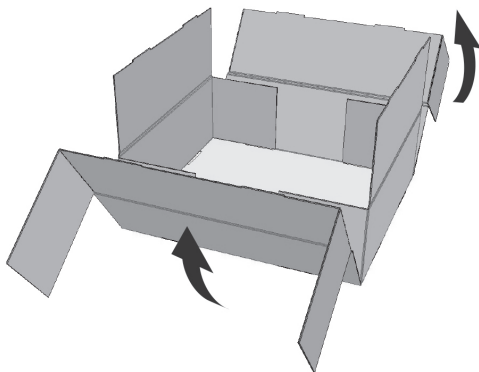
3



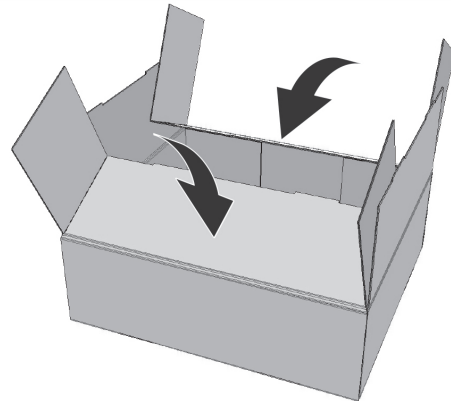
4



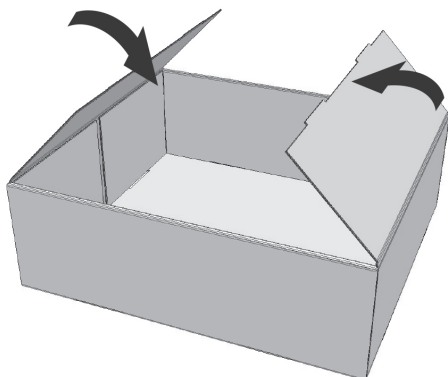
5



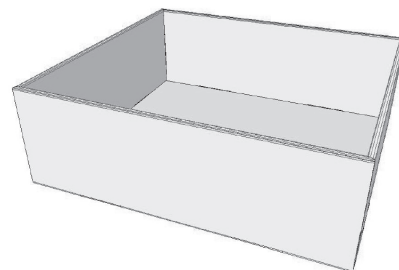
6



7



8



INTERIOR INSTRUCTIONS

WINE & BEER SUPPLY

WINE GIFT BOX

