

A P P A R A T U S



TARNISHED SILVER

CYLINDER : UPLIGHT

REFERENCE	PROPORTION VERSUS UTILITY WALTER DE MARIA
COMPOSITION	FUNCTIONAL, DIRECTIONAL LIGHTING MECHANICAL JOINT PRIMARY OR SECONDARY LIGHT SOURCE

A P P A R A T U S

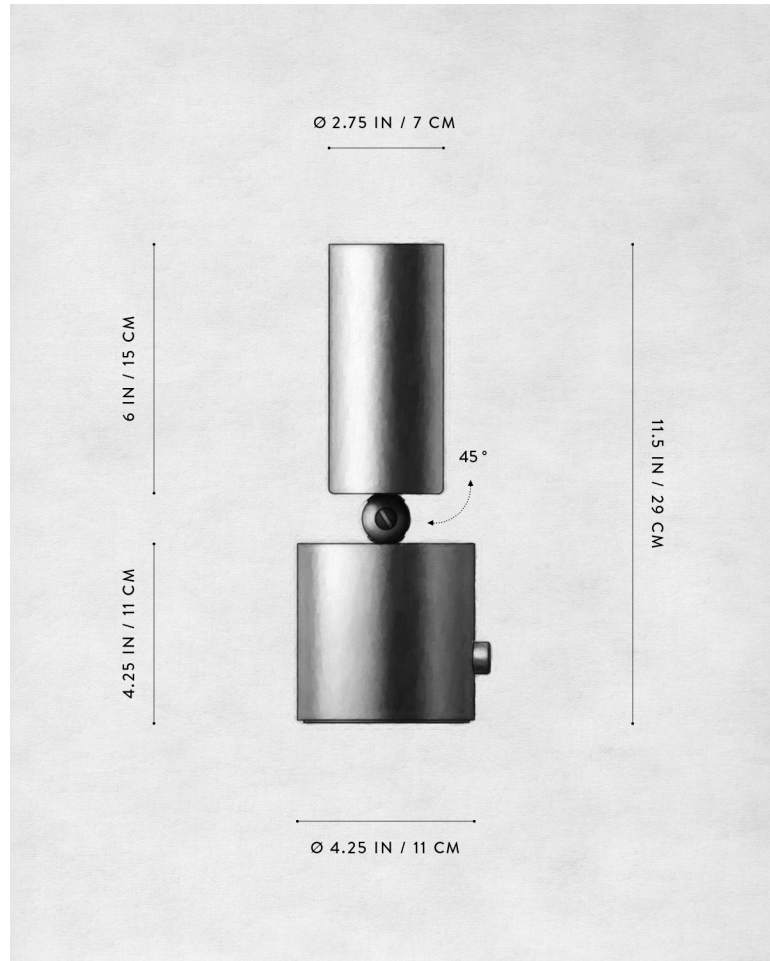


AGED BRASS



TARNISHED SILVER

A P P A R A T U S



	CYLINDER : UPLIGHT
DIMENSIONS	11.5 H, $\text{Ø } 4.25 \text{ IN}$ 29 H, $\text{Ø } 11 \text{ CM}$
PRICE	FROM £2100
VOLTAGE	120-240 UL / CE
LAMPING	MAX 25W
BULB INCLUDED	DIMMABLE LED BULB 2200K-2700K WARM DIM 500 LUMENS 120V : PAR20 BULB, 5.5W 240V : PAR20 BULB, 7W
BULB LIFE	30,000 HOURS
DEPOSIT	50% UPON ORDER
BALANCE	PRIOR TO SHIPPING
LEAD TIME	PLEASE REFER TO WEBSITE

FINISHED AND ASSEMBLED BY HAND IN NY
DOMESTIC AND IMPORTED COMPONENTS

A P P A R A T U S



AGED BRASS



OIL-RUBBED BRONZE



BLACKENED BRASS



TARNISHED SILVER

METAL

CYLINDER : UPLIGHT

AGED BRASS [WAXED]

OIL-RUBBED BRONZE [WAXED]

BLACKENED BRASS [WAXED]

TARNISHED SILVER [LACQUERED] ADD 35%