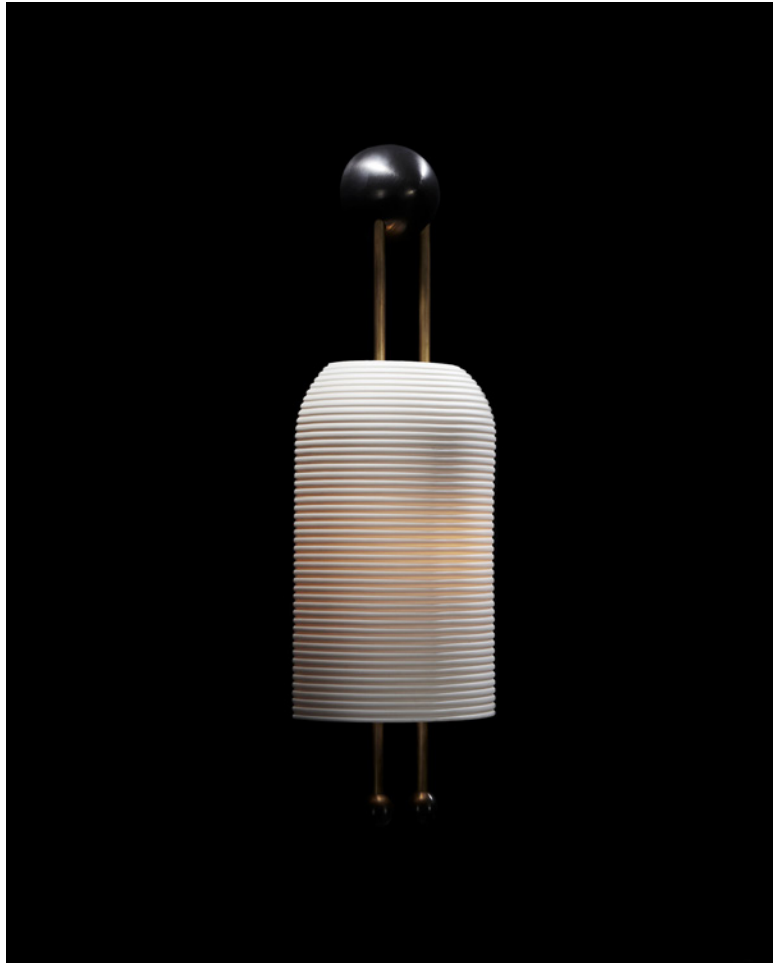


A P P A R A T U S



SERIES : LANTERN

A P P A R A T U S



TWO TONE | AGED BRASS / BLACKENED BRASS

LANTERN : SCONCE

REFERENCE

FRITZ LANG'S METROPOLIS
CHŌCHIN
WIENER WERKSTATTE

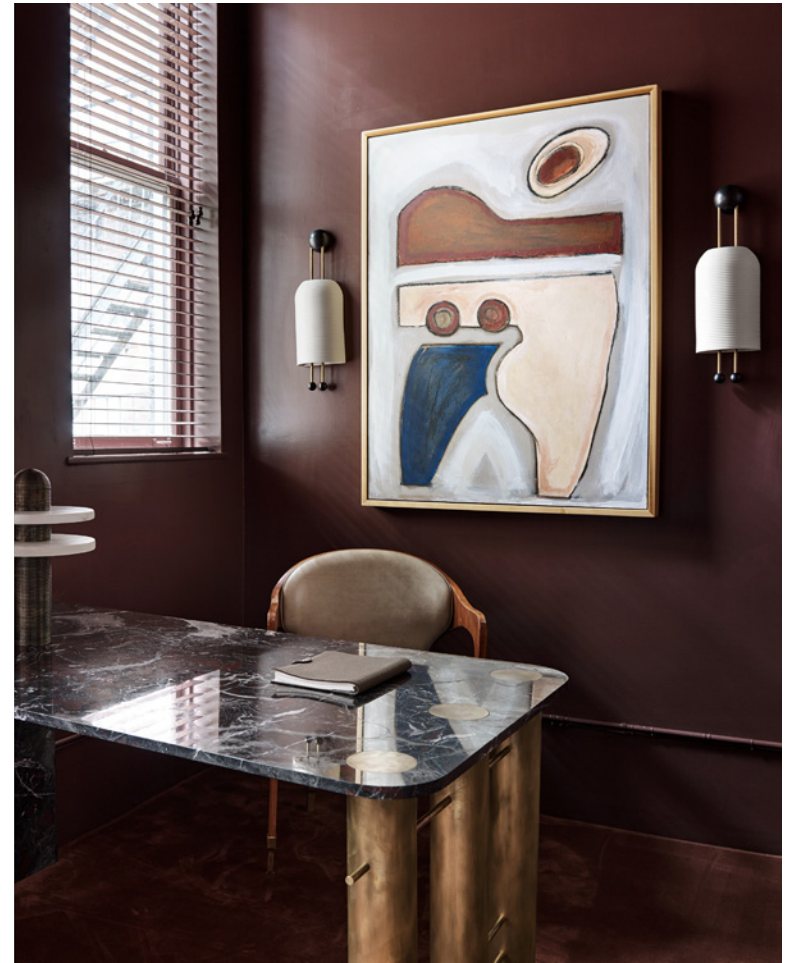
COMPOSITION

SLIP-CAST, FLUTED PORCELAIN SHADE
BRASS ARMATURE

A P P A R A T U S

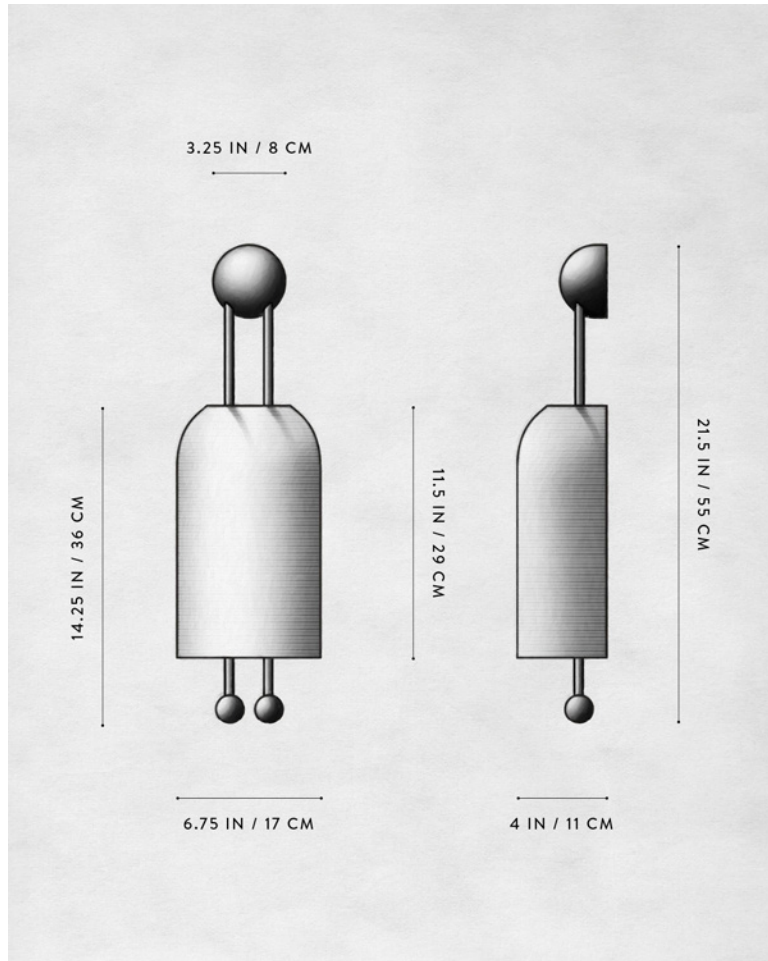


AGED BRASS / BLACKENED BRASS



AGED BRASS / BLACKENED BRASS

A P P A R A T U S



DIMENSIONS

WEIGHT

PRICE

VOLTAGE

LAMPING

BULB INCLUDED

BULB LIFE

DEPOSIT

BALANCE

LEAD TIME

LANTERN : SCONCE

21.5 H, 6.75 W, 4 D IN

55 H, 17 W, 11 D CM

APROX. 5 LBS / 2 KG

FROM \$3900

120-240

UL / CE

MAX 40W

3.8W DIMMABLE LED BULB

220 LUMENS EACH

2000 - 2800K

120V : E12 SPHERE I : MATTE WHITE

240V : E14 SPHERE I : MATTE WHITE

15,000 HOURS

50% UPON ORDER

PRIOR TO SHIPPING

PLEASE REFER TO WEBSITE

FINISHED AND ASSEMBLED BY HAND IN NY
DOMESTIC AND IMPORTED COMPONENTS

A P P A R A T U S



AGED BRASS / BLACKENED BRASS

LANTERN : 1 PENDANT

REFERENCE

FRITZ LANG'S METROPOLIS
CHÖCHIN
WIENER WERKSTATTE

COMPOSITION

SLIP-CAST, FLUTED PORCELAIN SHADE
BRASS ARMATURE

A P P A R A T U S

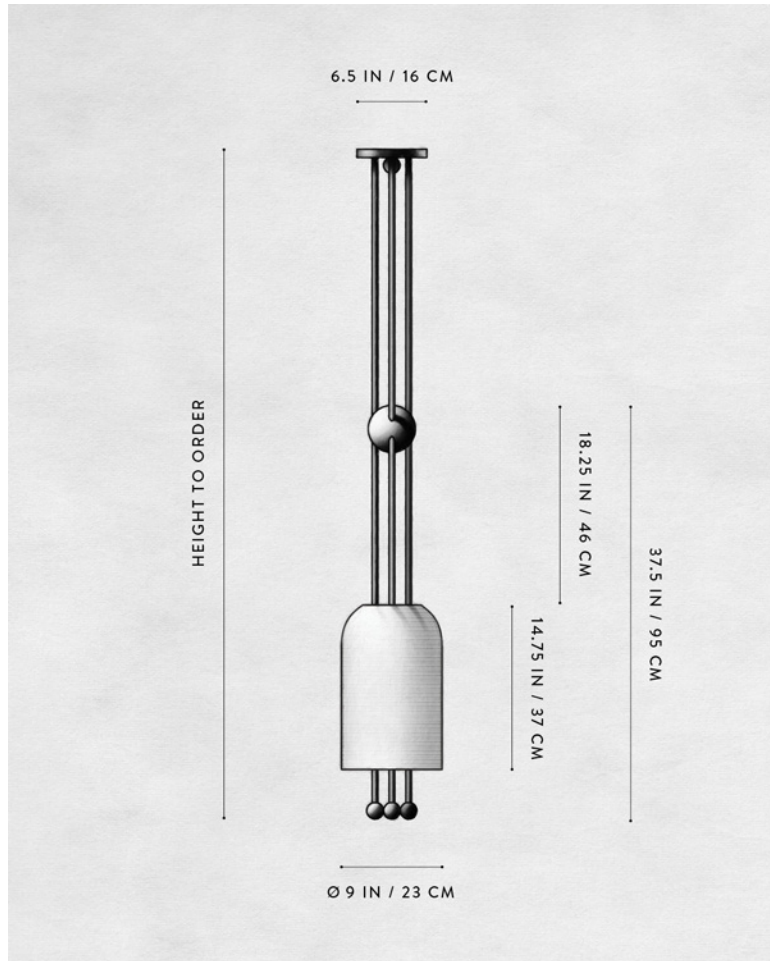


AGED BRASS / BLACKENED BRASS



AGED BRASS / BLACKENED BRASS

A P P A R A T U S



LANTERN : 1 PENDANT

DIMENSIONS

Ø 9 IN
Ø 23 CM

WEIGHT

HEIGHT TO ORDER
APPROX. 20 LBS / 9 KG

PRICE

FROM \$7800

MINIMUM HEIGHT

31 IN

INCLUDES

60 IN

ADD HEIGHT

\$30 / IN

VOLTAGE

120-240

LAMPING

UL / CE

BULB INCLUDED

MAX 40W

3 X 3.8W DIMMABLE LED BULB

220 LUMENS EACH

2000 - 2800K

120V : E12 SPHERE I : MATTE WHITE

240V : E14 SPHERE I : MATTE WHITE

BULB LIFE

15,000 HOURS

DEPOSIT

50% UPON ORDER

BALANCE

DUE PRIOR TO SHIPPING

LEAD TIME

PLEASE REFER TO WEBSITE

FINISHED AND ASSEMBLED BY HAND IN NY
DOMESTIC AND IMPORTED COMPONENTS

A P P A R A T U S



AGED BRASS

LANTERN : 2 PENDANT

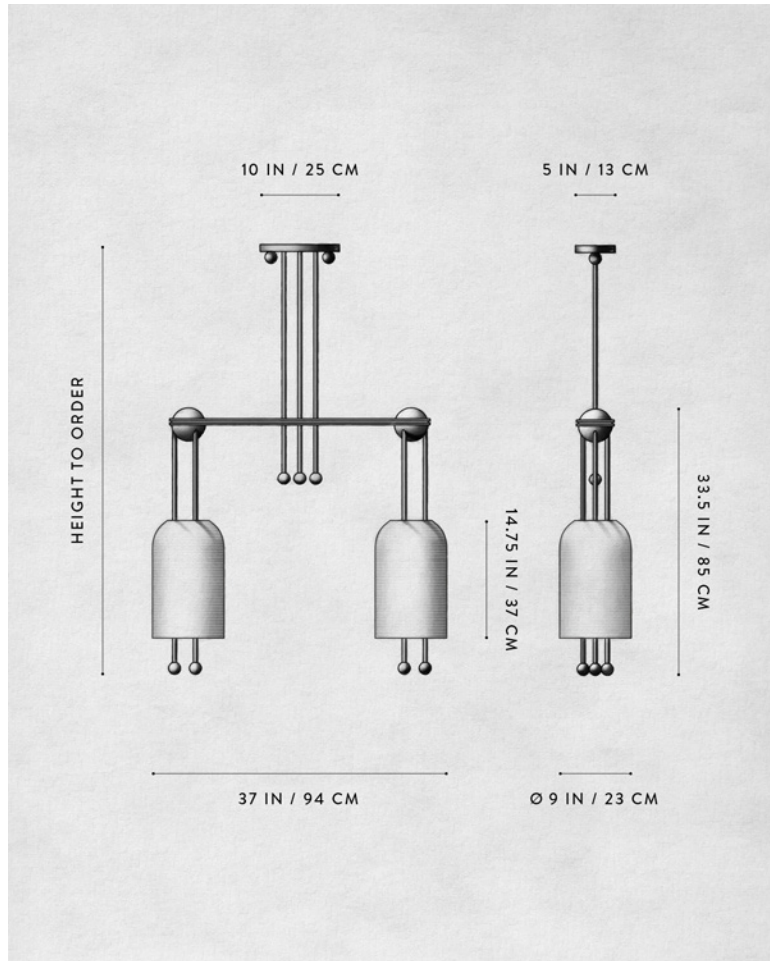
REFERENCE

FRITZ LANG'S METROPOLIS
CHÖCHIN
WIENER WERKSTATTE

COMPOSITION

SLIP-CAST, FLUTED PORCELAIN SHADE
BRASS ARMATURE

A P P A R A T U S



LANTERN : 2 PENDANT

DIMENSIONS

37 W, 9 D IN

94 W, 23 D CM

HEIGHT TO ORDER

APPROX. 75 LBS / 35 KG

WEIGHT

PRICE

FROM \$17000

MINIMUM HEIGHT

44 IN

INCLUDES

85 IN

ADD HEIGHT

\$30 / IN

VOLTAGE

120-240

UL / CE

LAMPING

MAX 40W

BULB INCLUDED

6 X 3.8W DIMMABLE LED BULB

220 LUMENS EACH

2000 - 2800K

120V : E12 SPHERE I : MATTE WHITE

240V : E14 SPHERE I : MATTE WHITE

BULB LIFE

15,000 HOURS

DEPOSIT

50% UPON ORDER

BALANCE

DUE PRIOR TO SHIPPING

LEAD TIME

PLEASE REFER TO WEBSITE

FINISHED AND ASSEMBLED BY HAND IN NY
DOMESTIC AND IMPORTED COMPONENTS

A P P A R A T U S



AGED BRASS

LANTERN : 3 PENDANT

REFERENCE

FRITZ LANG'S METROPOLIS
CHÖCHIN
WIENER WERKSTATTE

COMPOSITION

SLIP-CAST, FLUTED PORCELAIN SHADE
BRASS ARMATURE

A P P A R A T U S

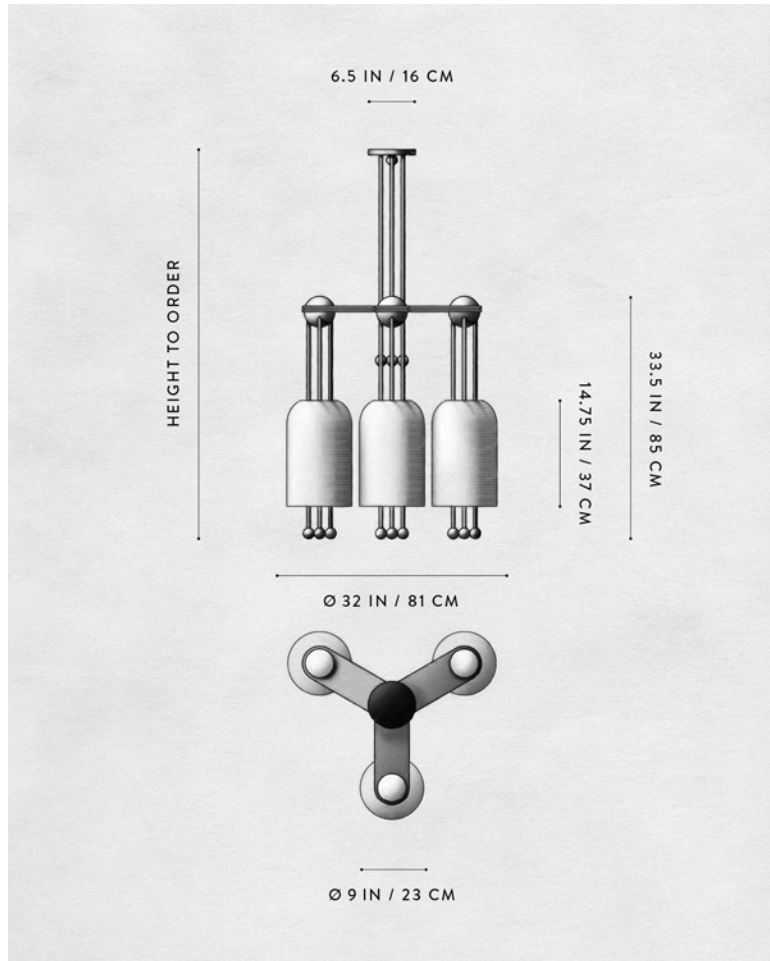


AGED BRASS / BLACKENED BRASS



AGED BRASS

A P P A R A T U S



LANTERN : 3 PENDANT

DIMENSIONS

Ø 32 IN

Ø 81 CM

WEIGHT

HEIGHT TO ORDER

APPROX. 100 LBS / 46 KG

PRICE

FROM \$30000

MINIMUM HEIGHT

44 IN

INCLUDES

85 IN

ADD HEIGHT

\$30 / IN

VOLTAGE

120-240

UL / CE

LAMPING

MAX 40W

BULB INCLUDED

9 X 3.8W DIMMABLE LED BULB

220 LUMENS EACH

2000 - 2800K

120V : E12 SPHERE I : MATTE WHITE

240V : E14 SPHERE I : MATTE WHITE

15,000 HOURS

BULB LIFE

DEPOSIT

50% UPON ORDER

BALANCE

DUE PRIOR TO SHIPPING

LEAD TIME

PLEASE REFER TO WEBSITE

FINISHED AND ASSEMBLED BY HAND IN NY
DOMESTIC AND IMPORTED COMPONENTS

A P P A R A T U S



TARNISHED SILVER

LANERN : TABLE LAMP

REFERENCE FRITZ LANG'S METROPOLIS
 CHŌCHIN
 WIENER WERKSTATTE

COMPOSITION SLIP-CAST, FLUTED PORCELAIN SHADE
 BRASS ARMATURE

A P P A R A T U S

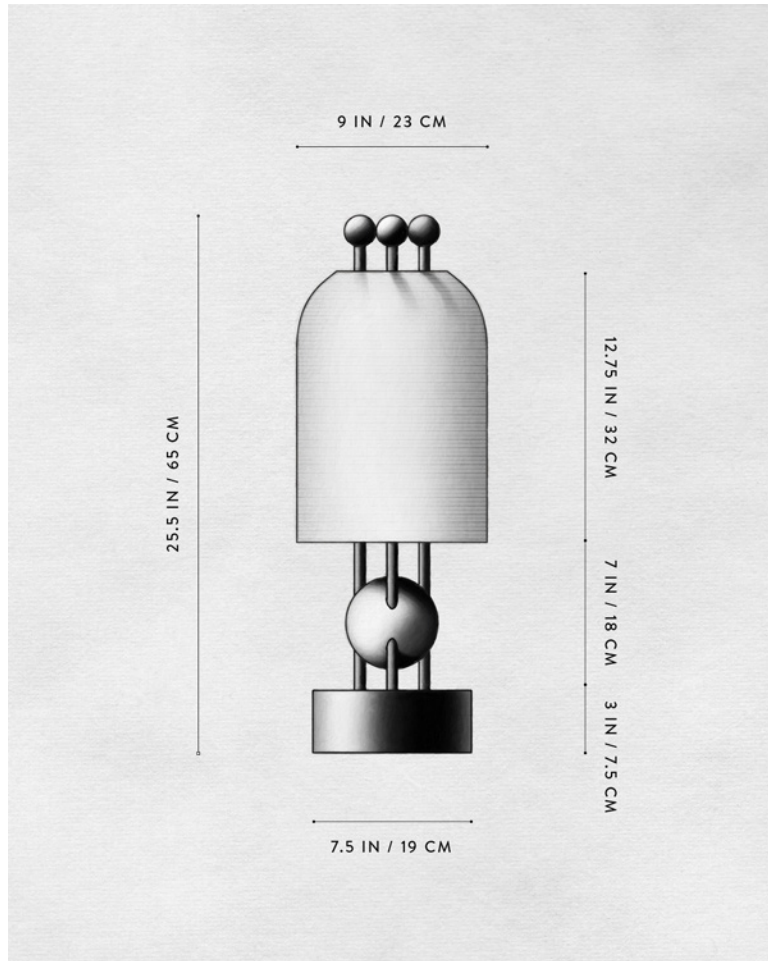


TARNISHED SILVER



TARNISHED SILVER

A P P A R A T U S



LANTERN : TABLE LAMP

DIMENSIONS

25.5 H, Ø 9 IN
65 H, Ø 23 CM

PRICE

FROM \$5200

VOLTAGE

120-240
UL / CE

LAMPING BULB INCLUDED

MAX 40W
3 X 3.8W DIMMABLE LED BULB
220 LUMENS EACH
2000 - 2800K
120V : E12 SPHERE I : MATTE WHITE
240V : E14 SPHERE I : MATTE WHITE
15,000 HOURS

BULB LIFE

DEPOSIT BALANCE LEAD TIME

50% UPON ORDER
PRIOR TO SHIPPING
PLEASE REFER TO WEBSITE

FINISHED AND ASSEMBLED BY HAND IN NY
DOMESTIC AND IMPORTED COMPONENTS

A P P A R A T U S



AGED BRASS / BLACKENED BRASS

LANTERN : FLOOR LAMP

REFERENCE	FRITZ LANG'S METROPOLIS CHÖCHIN WIENER WERKSTATTE
COMPOSITION	SLIP-CAST, FLUTED PORCELAIN SHADE BRASS ARMATURE

A P P A R A T U S

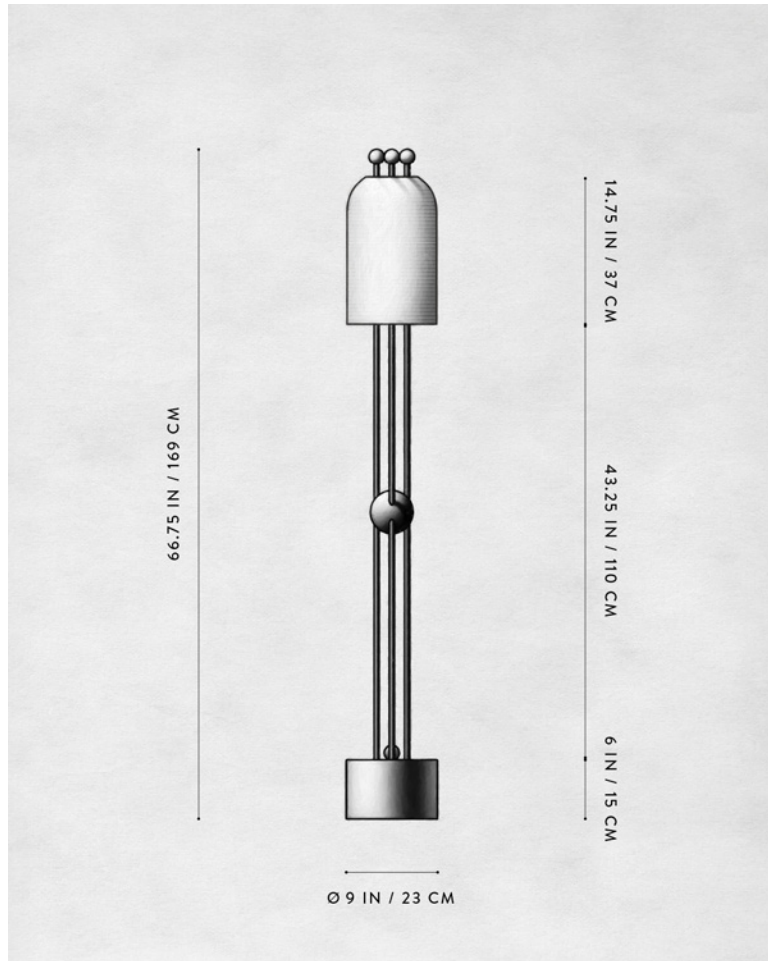


AGED BRASS / BLACKENED BRASS



AGED BRASS / BLACKENED BRASS

A P P A R A T U S



LANTERN : FLOOR LAMP

DIMENSIONS

66.75 H, Ø 9 IN
169 H, Ø 23 CM

PRICE

FROM \$8200

VOLTAGE

120-240
UL / CE

LAMPING BULB INCLUDED

MAX 40W
3 X 3.8W DIMMABLE LED BULB
220 LUMENS EACH
2000 - 2800K
120V : E12 SPHERE I : MATTE WHITE
240V : E14 SPHERE I : MATTE WHITE

BULB LIFE

15,000 HOURS

DEPOSIT

50% UPON ORDER

BALANCE

PRIOR TO SHIPPING

LEAD TIME

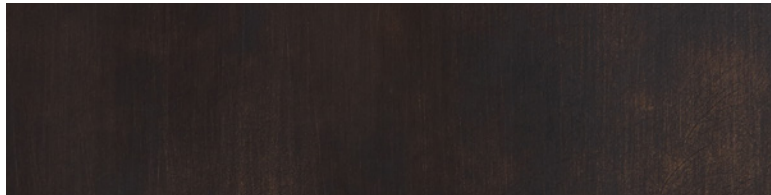
PLEASE REFER TO WEBSITE

FINISHED AND ASSEMBLED BY HAND IN NY
DOMESTIC AND IMPORTED COMPONENTS

A P P A R A T U S



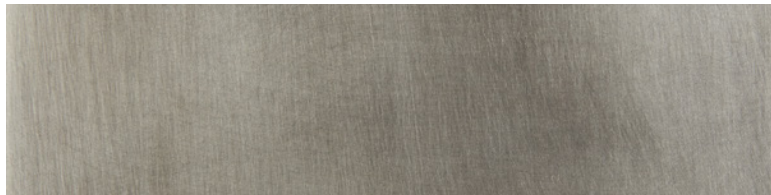
AGED BRASS



OIL-RUBBED BRONZE



BLACKENED BRASS



TARNISHED SILVER

METAL

LANTERN

AGED BRASS [WAXED]

OIL-RUBBED BRONZE [WAXED]

BLACKENED BRASS [WAXED]

TARNISHED SILVER [LACQUERED] ADD 35%