

A P P A R A T U S



AGED BRASS

CYLINDER : DOWNLIGHT EXTENDED

REFERENCE

PROPORTION VERSUS UTILITY
WALTER DE MARIA

COMPOSITION

FUNCTIONAL, DIRECTIONAL LIGHTING
MECHANICAL JOINT
PRIMARY OR SECONDARY LIGHT SOURCE

A P P A R A T U S

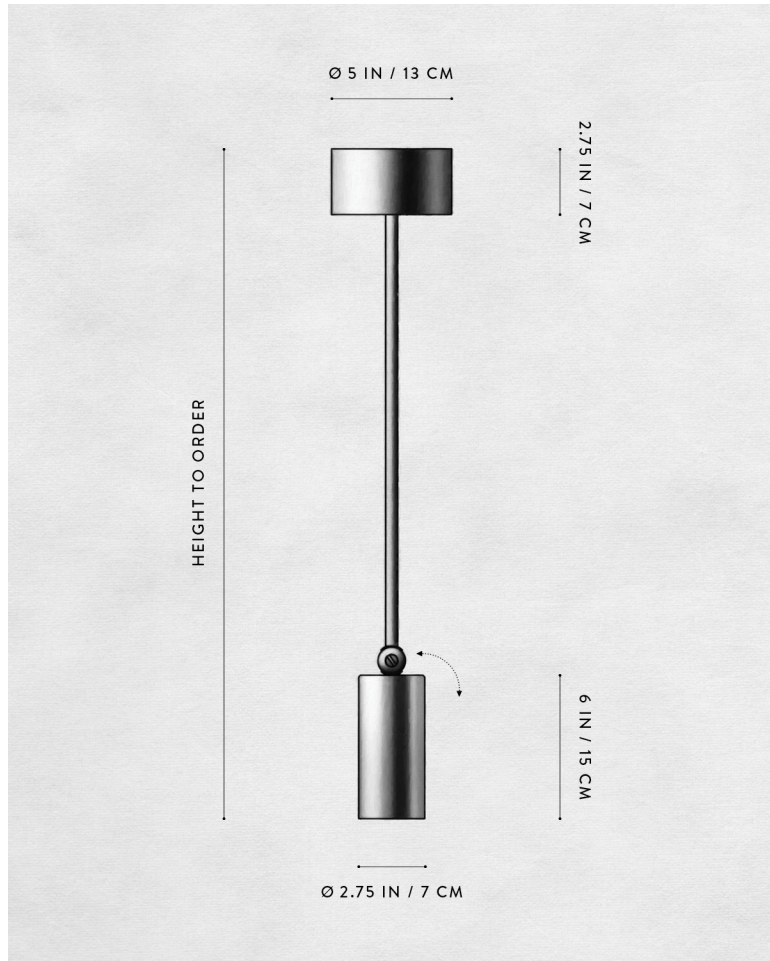


TARNISHED SILVER



BLACKENED BRASS | TARNISHED SILVER | BLACKENED BRASS

A P P A R A T U S



CYLINDER : DOWNLIGHT EXTENDED

DIMENSIONS	Ø 5 IN Ø 13 CM HEIGHT TO ORDER APPROX. 10 LBS / 5 KG
WEIGHT	
PRICE	FROM £2200
MINIMUM HEIGHT	13 IN CUSTOM OPTIONS AVAILABLE FOR HEIGHT OVER 72 IN
INCLUDES ADD HEIGHT	60 IN £10 / IN
VOLTAGE	120-240 UL / CE
LAMPING BULB INCLUDED	MAX 25W DIMMABLE LED BULB 2200K-2700K WARM DIM 500 LUMENS 120V : PAR20 BULB, 5.5W 240V : PAR20 BULB, 7W
BULB LIFE	30,000 HOURS
DEPOSIT BALANCE LEAD TIME	50% UPON ORDER PRIOR TO SHIPPING PLEASE REFER TO WEBSITE

FINISHED AND ASSEMBLED BY HAND IN NY
DOMESTIC AND IMPORTED COMPONENTS

A P P A R A T U S



AGED BRASS



OIL-RUBBED BRONZE



BLACKENED BRASS



TARNISHED SILVER

METAL

CYLINDER : DOWNLIGHT EXTENDED

AGED BRASS [WAXED]

OIL-RUBBED BRONZE [WAXED]

BLACKENED BRASS [WAXED]

TARNISHED SILVER [LACQUERED] ADD 35%