



SHORELINE

MARINE®

PROPEL

PADDLE GEAR BY SHORELINE MARINE



MARINE & PADDLESPORT ACCESSORIES

Volume 9



At Shoreline Marine, our goal is to provide a complete marine assortment that will enhance the performance and profitability of the marine category in your retail store. Based upon our years of experience, it is our mission to provide the highest quality and most innovative products and packaging in the marine industry.

Our products go through stringent quality control and are tested in extreme marine conditions. We stand behind our products which undergo independent testing to meet and exceed the industry standards for aftermarket replacement parts. We thank you for your continued support and we look forward to growing with you in the coming years.



- 4 ELECTRICAL / LIGHTING
- 16 GENERAL
- 20 PLUMBING
- 24 HARDWARE
- 30 CORDAGE
- 34 SAFETY
- 38 CLEANING
- 42 ANCHORS / MOORING
- 49 MOTOR / FUEL
- 53 TRAILER
- 62 BOATING EDUCATION



- 68 GRAPHIC SERIES PADDLES
- 70 PADDLES
- 72 GEAR STORAGE
- 74 LIGHTING
- 75 TRANSPORT
- 76 SAFETY
- 76 WATER CONTROL
- 77 ANCHOR
- 77 FISHING
- 78 ACCESSORIES
- 79 STORAGE

Please feel free to contact us with any questions or comments regarding Shoreline Marine® or Propel by Shoreline Marine® products.

shorelinepropel.com

©2021 Calcutta Outdoors • 158 Little Nine Rd. • Morehead City, NC 28557

“CAPTAIN WEEKEND” an INDUSTRY GAME CHANGER!



CAPTAIN WEEKEND'S
DIY VIDEOS WILL SHOW
YOUR CUSTOMERS
HOW TO DO IT RIGHT.

Shoreline Marine® and “Captain Weekend”
are changing the way consumers buy
marine accessories.

Loye Futch, “Captain Weekend”, a twenty five year veteran of the marine industry and professional boat mechanic will instill complete confidence in your marine accessory customers through Shoreline’s exclusive, easy to follow DIY installation and repair videos.

We’ve partnered with Loye and professionally produced an entire series of step-by-step, super simple videos that will walk consumers through the most popular maintenance, repair and installation projects that every DIY weekend boater needs to know to keep their prized possession well maintained with top quality Shoreline Marine® products.

In Memory Of

Loye James Futch
12.29.63 - 10.18.17

Thank you Loye for living out your boating passion while instructing millions of people on how to enjoy more time on the water. The Captain Weekend videos live on.

Shoreline’s “Captain Weekend” video series includes specific installation procedures, tricks and safety tips including:

- **Electrical:** Installation of Underwater Lights and Utility Strip Lights.
- **Plumbing:** Replacing Bilge Pump and Live Well Pump.
- **Trailing:** Replacing Trailer Lights, Swing Up Jack, and Winch.
- **Motor:** Fuel Line Assembly, Motor Flusher, and Lower Unit Gear Lube.
- **Hardware:** Seat Installation.
- **Anchoring:** Freshwater Anchoring and General Anchoring Tips.
- **General Accessories:** How to Properly Install Rod Holders and Cup Holders.





Product Testing & Quality Control Procedures

The purpose of in-house testing and product control is to provide consumers the best performing marine products attainable at an affordable price.



TYPES OF TESTING AND BENEFITS:

// NEW PRODUCT TESTING >>

New product testing allows us to test a product from day one, and to develop the product from the ground up. Many products have just passed the new idea stage when they first come to the test lab as an initial sample. These products are immediately assigned a test profile then begin the testing procedure specific to that product type. Every new product undergoes a series of tests to ensure a high quality standard and a passing result.

// CURRENT PRODUCTION TESTING >>

Testing current production products for product improvement. The products are tested beyond industry standards with performance charted throughout the test. This allows us to monitor our current production quality levels and constantly deliver upgrades and newly revised products that could otherwise sit stagnant for years. This testing also allows us to foresee product issues and react on a scheduled time line if and when product quality issues are discovered.

// COMPARATIVE TESTING >>

Simple in thought but often overlooked. We compare the performance of our products to other competitive manufacturers' products in the testing lab under real life scenarios. This allows us to better monitor the entire marine product field to ensure our development of innovative, competitive products.

// TESTING TO FAILURE >>

Upon completion of standard in-house testing — all products undergo further testing to the point of failure. This allows us to identify if there are weak points in the product we produce and test. While some items may pass all current industry standards this type of testing allows for product improvement on a deeper level resulting in a better product that will last multiple seasons. It is not uncommon for us to have products submerged in fresh and/or saltwater testing tanks for up to six months past their fail point.

// INDEPENDENT AND THIRD PARTY TESTING >>

Any test lab that considers itself always correct would be a liability to accurate and honest test results and product quality. For this reason we also test products with over 8 specialized independent testing labs covering multiple industry standards.





ELECTRICAL LED MODULE STRING LIGHTS

MORE POWER, MORE LIGHTS!

**LIGHT YOUR WAY TO A
BRIGHTER, SAFER, AND
ALL AROUND COOLER
LOOKING TIME ON
THE WATER.**

10' LED MODULE STRING LIGHT

10' String light, 1 module per foot for a total of 10 modules. 3M™ adhesive backing, fully encased water resistant construction, 12" pigtail wire, high impact construction. Perfect lighting for cabinets, safes, stairways, walkways, boats, vehicles, garages, and sheds. Available in white or blue.

12V LED

Model Number	Part Number	Description
SL40213	5709-0005	LED Module Lights - 10' - White
SL40226	5709-0007	LED Module Lights - 10' - Blue



NEED ASSISTANCE?



Scan the QR code to access the Captain Weekend underwater, overhead, and accent lighting installation videos.





// COMMON QUESTIONS FOR THE DIY ELECTRICAL INSTALLATION:

Q: CAN I USE REGULAR WIRING IN MY BOAT?

A: While normal automotive style wire may work short term, it is not manufactured to the specifications or special requirements needed to perform properly in a marine environment. Ensure the wiring being used is tinned-copper and meets or exceeds ABYC and USCG Standards.

Q: DO I NEED A FUSE OR BREAKER? WHAT SIZE?

A: Yes. A fuse or breaker system is a vital part of building a reliable and most importantly, safe electrical circuit. Fuses/Breakers should be sized depending on the current draw (amperage) the device is using and the wiring size connecting it. This information can most often be found in specs provided by the device manufacturer.

Q: WHAT KIND OF CONNECTORS DO I USE?

A: No matter where in the vessel the connectors are located, it's important to use a high quality heat shrink electrical terminals. Household and automotive wire connectors will result in loose, corroded and dangerous connections. Every connection should be crimped, and installed in the highest location possible to prevent submersion. Check connection points such as battery terminals and fuse blocks to ensure they are properly sized and tight.

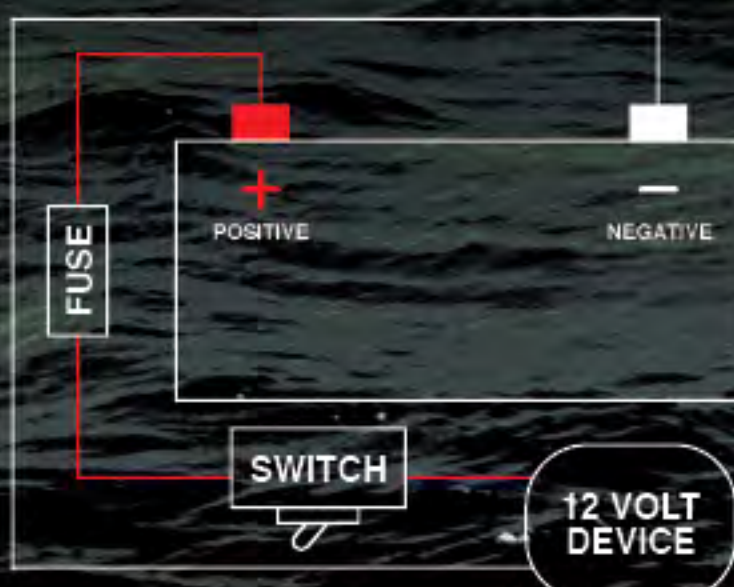
Q: WHY DOESN'T MY SWITCH HAVE A GROUND?

A: A switch's job is to connect and disconnect power from one side of the circuit. Since the device needs a power and a ground, this turns it on and off. Normally this is the positive side and in a simple 2 wire setup, only requires one wire going into the switch from a 12V power source and one wire going to the device to power the positive side. Please see the wiring diagram below.



// TIPS FOR WIRING:

- Ensure all connections are tight
- Disconnect the positive battery cable before performing any maintenance
- All wiring should meet the minimum size requirements for the device being used
- All circuits must include a fuse or breaker
- Coat terminals with Dielectric Grease or similar corrosion protectants
- Use tie wraps to bundle any loose wires and secure them in the highest point possible
- Replace wingnuts with standard lock nuts to prevent them from vibrating loose
- Make sure your battery is secured in a box or tray with the terminals protected from shorting



7
HOURS
OF POWER

PORTABLE POWER BOX

Provide a 12 Volt Power System Anywhere! Power Your Lights, Pumps, Fish Finders, GPS Units, and All On-Board Electronics While Keeping Your Battery Dry!

7lbs • Height: 5.8" • Width: 8.6" • Depth: 6.9"

Model Number	Part Number	Description
SL40018	5709-0119	Portable Power Box

- 7 Ah SLA Battery
- Integrated Carry Handle
- 3 Weatherproof Push Button Switches
- Includes 3 Customizable Accessory Connectors:
 - 110v Wall Charger
 - 12 Volt
 - Utility Charger



Great for Kayaks, Canoes, Small Boats, Camping, Power Outages and Many Other Applications

Heavy Duty Dry Box Construction with Foam Place Holder for the Internal Battery



12V



ELECTRICAL ACCENT LIGHTING

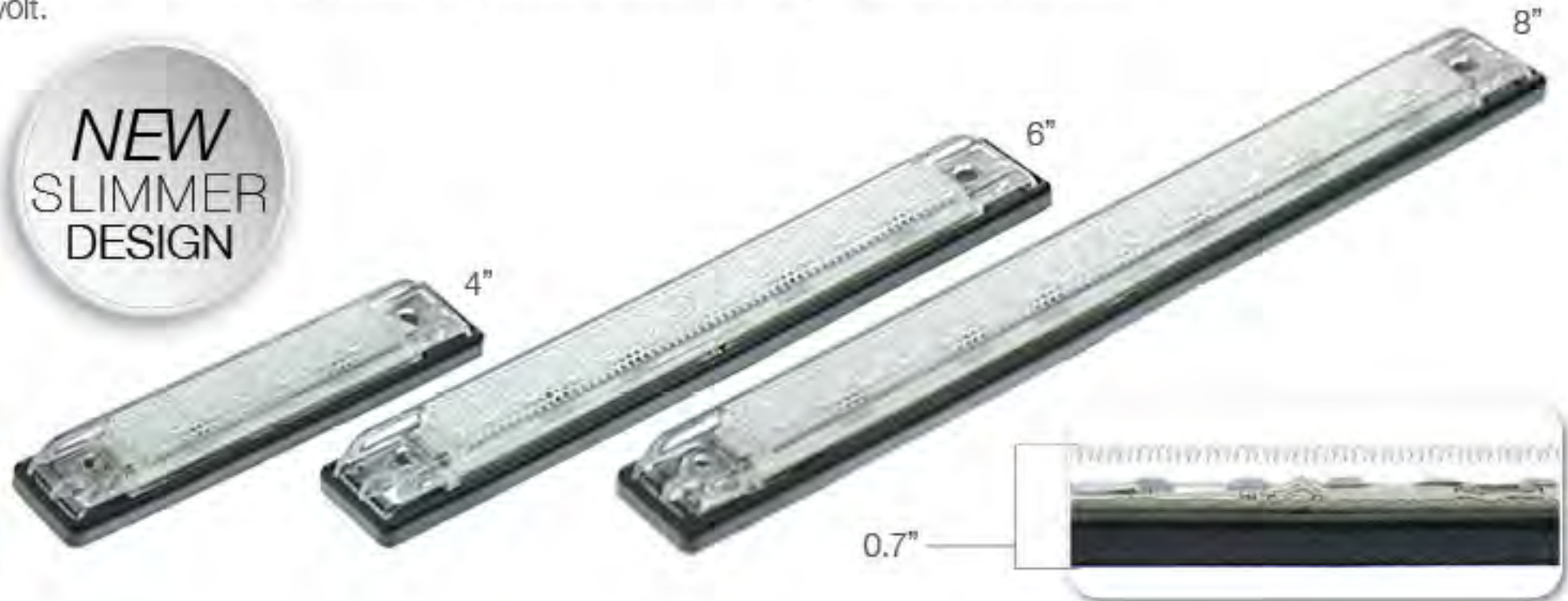
LED SLIM LINE UTILITY STRIP LIGHT

Slim Line LED Utility Strip Light with clear lens. 100% waterproof potted in epoxy. Great for general or accent lighting anywhere on the boat. Includes stainless mounting hardware, pigtail wiring, 12 volt.

12V LED **LOW AMPS** **HIGH LUMENS**



**NEW
SLIMMER
DESIGN**



Model Number	Part Number	Description	Product Dimensions
SL52088	5709-0060	4" LED Utility Strip Light • White	4" x 0.7" x 0.7" - 6 White LEDs
SL51105	5709-0063	4" LED Utility Strip Light • Green	4" x 0.7" x 0.7" - 6 Green LEDs
SL51107	5709-0066	4" LED Utility Strip Light • Blue	4" x 0.7" x 0.7" - 6 Blue LEDs
SL78977	5709-0334	6" LED Utility Strip Light • White	6" x 0.7" x 0.7" - 12 White LEDs

Model Number	Part Number	Description	Product Dimensions
SL78978	5709-0071	6" LED Utility Strip Light • Blue	6" x 0.7" x 0.7" - 12 Blue LEDs
SL76628	5709-0068	8" LED Utility Strip Light • White	8" x 0.7" x 0.7" - 18 White LEDs
SL76629	5709-0075	8" LED Utility Strip Light • Blue	8" x 0.7" x 0.7" - 18 Blue LEDs

LED ACCENT LIGHT

Low cost LED accent light for adding accent light for decks and steps.

12V LED



Model Number	Part Number	Description
SL40008	5709-0023	LED Accent Light • Blue
SL91910	5709-0024	LED Accent Light • White

LED STICK ON LIGHT 2PK

Add light to tight spaces, easy installation, water resistant, flood beam, 0.78" diameter.

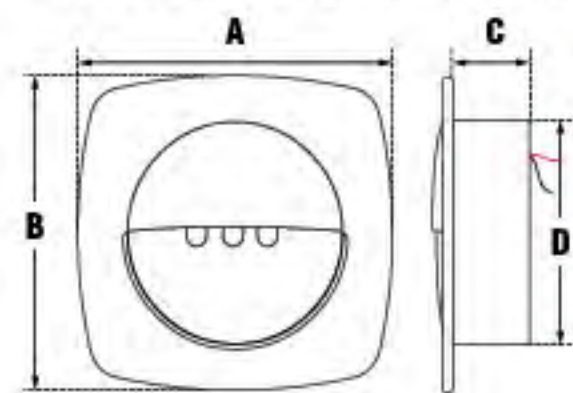
12V LED



Model Number	Part Number	Description
SL91869	5709-0018	LED Stick on Light 12 Volt, 2pk

LED COMPANION WAY LIGHT

LED 12 volt companion-way light designed for safely lighting decks and stairways. This three diode light is flush mounted with low amp draw.

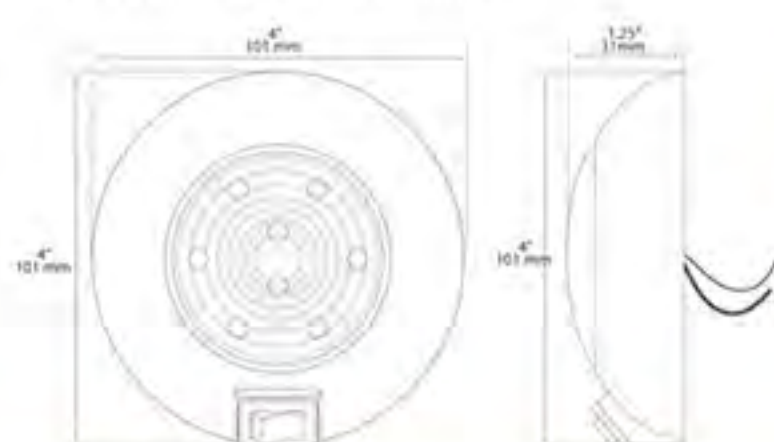


12V LED **LOW AMPS** **HIGH LUMENS**

Model Number	Part Number	Description	Product Dimensions
SL91504	5709-0017	LED Companion Way Light • White	A: 2.25" B: 2.25" C: 0.55" D: 1.65"

LED MOUNT LIGHT WITH SWITCH

LED surface mount light with eight white diodes, wires directly to 12 volt switch system, and mounts easily. Includes stainless hardware.




12V LED **LOW AMPS** **HIGH LUMENS**

Model Number	Part Number	Description
SL52091	5579-0016	LED Surface Mount White Accent

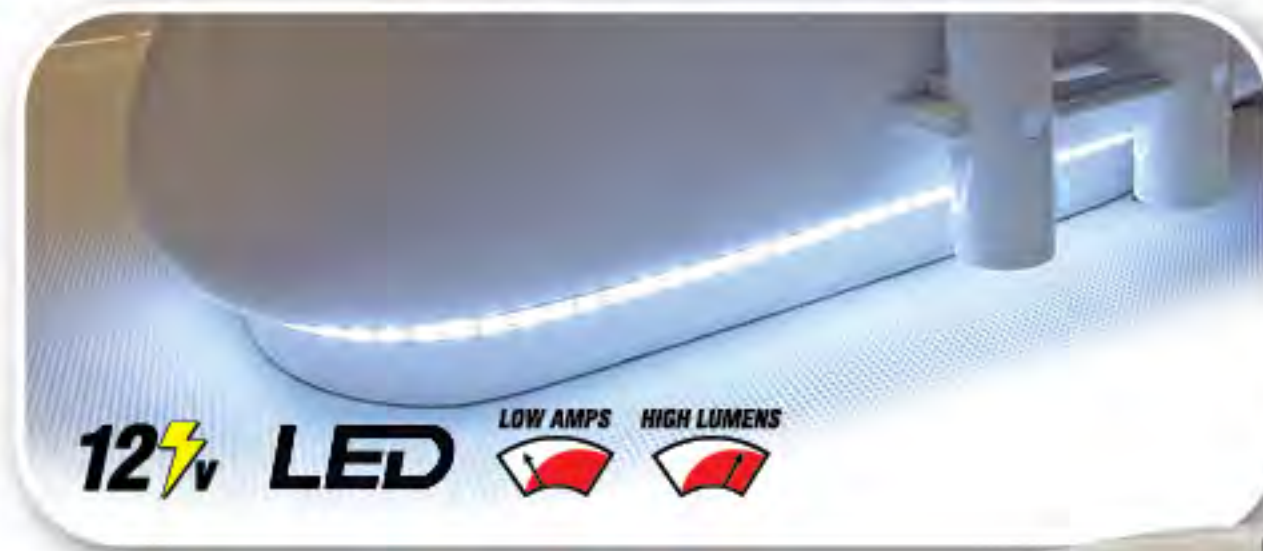


LED FLEX LIGHTS

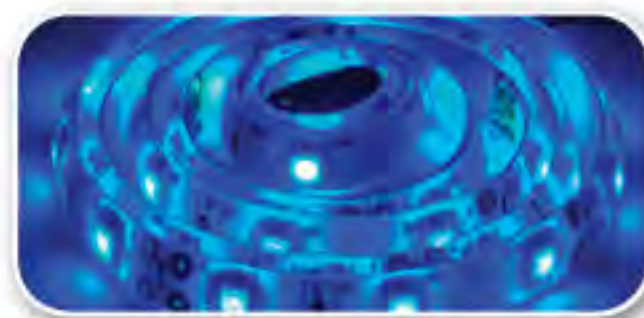
LED Flexible lighting with 3M™ self-adhesive tape allows you to put light virtually anywhere on your boat. Create a safe glow by mounting the lights under gunwales, helm, and deck or in the cabin. The diodes are completely encased in polyurethane, protecting them from the elements giving these lights a long life. The 12 volt power consumption is very low so you can leave them on for hours without draining the battery.

LED LIGHT STRIPS CAN BE CUT TO DESIRED LENGTH 

Model Number	Part Number	Description
SL76633	5709-0038	LED Flexible Lights 12 Volt - 26.9" • White
SL91853	5709-0041	LED Flexible Lights 12 Volt - 26.9" • Blue
SL91854	5709-0044	LED Flexible Lights 12 Volt - 26.9" • Blue/White
SL91856	5709-0047	LED Flexible Lights 12 Volt - 50.9" • Blue
SL91858	5709-0054	LED Flexible Lights 12 Volt - 74.4" • White
SL91859	5709-0057	LED Flexible Lights 12 Volt - 74.4" • Blue



White



Blue



Blue/White Combination



LED RAIL LIGHT

LED 12 volt rail light designed for lighting consoles, decks, helms, and cabins. This 12" long light features a built in on/off switch and rotating housing. Includes stainless steel mounting hardware.

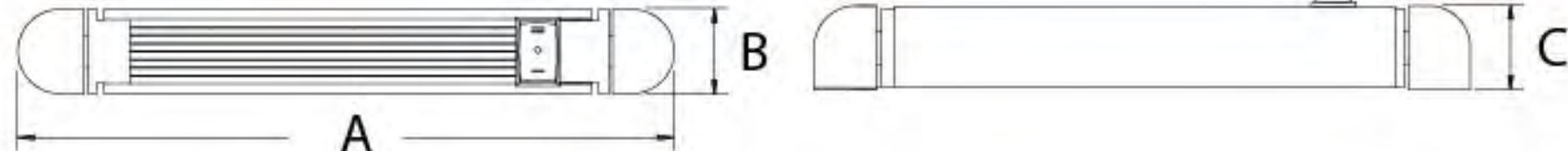


12V LED



Rotating Beam

Model Number	Part Number	Description	Product Dimensions
SL91548	5709-0011	LED 12" Light w/Switch 12V	A: 11.5" B: 1" C: 1"



PORTABLE LED UNDERWATER LIGHT

- Fully Waterproof Light Housing
- 16' Waterproof Power Cord
- 5 Sided, (180 LEDs) for 360° Directional Output
- Weighted Design
- Additional Weight or Float Attachment Point
- 360 Lumens

Model Number	Part Number	Description
SL34154	5709-0002	Portable Fishing Light



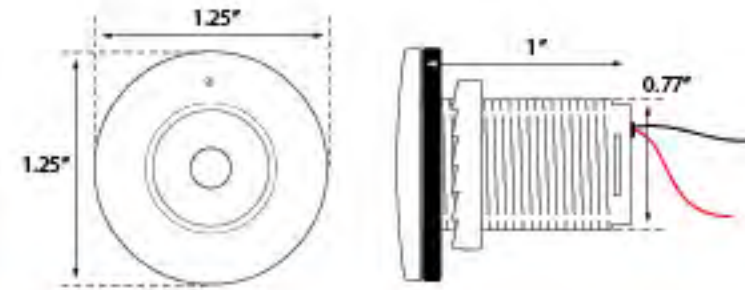


ELECTRICAL UNDERWATER LIGHTING



LED SUBMERSIBLE UTILITY/LIVEWELL LIGHT

LED 12 volt submersible utility livewell light. Waterproof design allows it to be mounted under the water line or above. Recessed mount allows for flush mounting in tight quarters. The low light output and efficiency make this the perfect livewell light.



Model Number	Part Number	Description
SL52089	5709-0014	LED Utility Live Well White

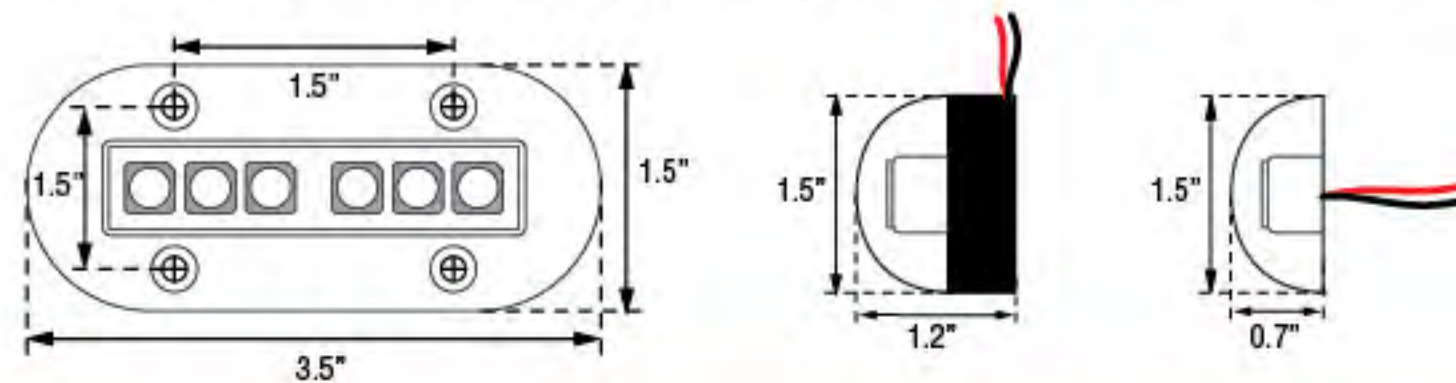


HIGH INTENSITY LED SURFACE MOUNT UNDERWATER LIGHT

LED Underwater surface mount light with six super bright white diodes. Light universally mounts under the water line on the transom, trim tab, or can be used above water in many applications.



- Proven to attract bait fish to during night trips, and add ambiance to any vessel.
- Comes with two gaskets, for wiring through the transom or over the transom. Includes stainless steel hardware.

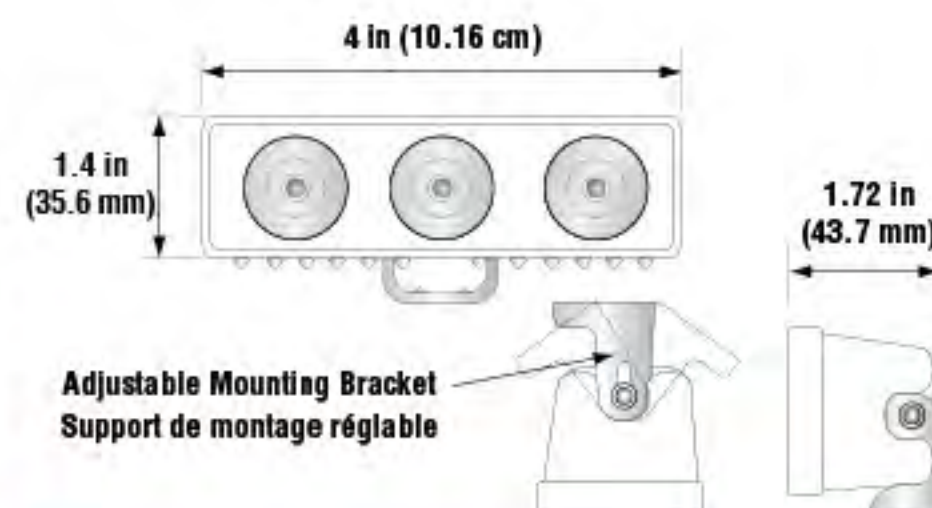


Model Number	Part Number	Description	Product Dimensions
SL92552	5579-0387	LED Underwater Light • White	Surface size: 3.5" x 1.5" Height: 1.5" 6 HT White LEDs



LED SPREADER LIGHT/DOCKING LIGHT

Three super bright 3-watt LED's lights are encased in the low profile powered coated aluminum housing. This high intensity docking light comes with a swivel mounting bracket for easy installation and include 316 grade stainless steel hardware. 12 Volt. Meets IP67 requirements.



Adjustable Mounting Bracket
Support de montage réglable



Model Number	Part Number	Description
SL76630	5709-0293	LED Spreader Light
SL76631	5709-0115	LED Spreader Light Kit - 2 Pack



10' BATTERY OPERATED PORTABLE LED STRING LIGHTS - WHITE

Portable LED String Lights are the easiest way to add decorative LED lights to your boat. The battery operated lights can be quickly strung on a boat railing, windshield or bimini top. Comes complete with 3 AA batteries, and stores in the included padded pouch. Each 10ft string has 23 LED lights.



LED

Model Number	Part Number	Description
SL40005	5709-0289	Portable LED Light String 10' • 23 LEDs • White

BATTERY OPERATED LED FLEX LIGHT WITH MOTION ACTIVATED SENSOR 17.5" - WHITE

- 3M™ Adhesive Backing
- 3 Position Switch (ON - OFF - MOTION)
- Sensor Helps Conserve Battery Life
- Batteries Included
- Motion Setting Runs For 30 seconds Once Activated

Perfect for
Camping, Boating,
Backyard
Lighting, Indoor
Decorating, Parties and
More!



LED

Model Number	Part Number	Description
SL40220	5709-0285	Battery Operated Flexlight Sensor • White

WATERPROOF/FLOATING HANDHELD LED SPOTLIGHT

Ergonomic grip handle, Includes 3 AA batteries. Waterproof/Floatable. Includes carry strap, folding stand, and switch lock. **THREE LIGHT MODES: STROBE/HIGH/LOW.**



Model Number	Part Number	Description
SL40206	5709-0078	LED Floating Spotlight



RECHARGEABLE LED MINI SPOTLIGHT

Sealed Charging Port
Battery Life & Charging Indicator LED Lights
Trigger Operated
Integrated Hinged Support Stand
Impact Resistant Body & Bezel
IP65 Water Resistance
Includes 48" USB Charging Cable
THREE LIGHT MODES: STROBE/HIGH/LOW.



LED

Model Number	Part Number	Description
SL34161	5709-0551	Marine Mini Waterproof LED Spotlight 10 Watt 800 Lumens, Rechargeable with USB Cord, Super Bright Outdoor Searchlight with Work stand





NAVIGATION LIGHTING REGULATIONS

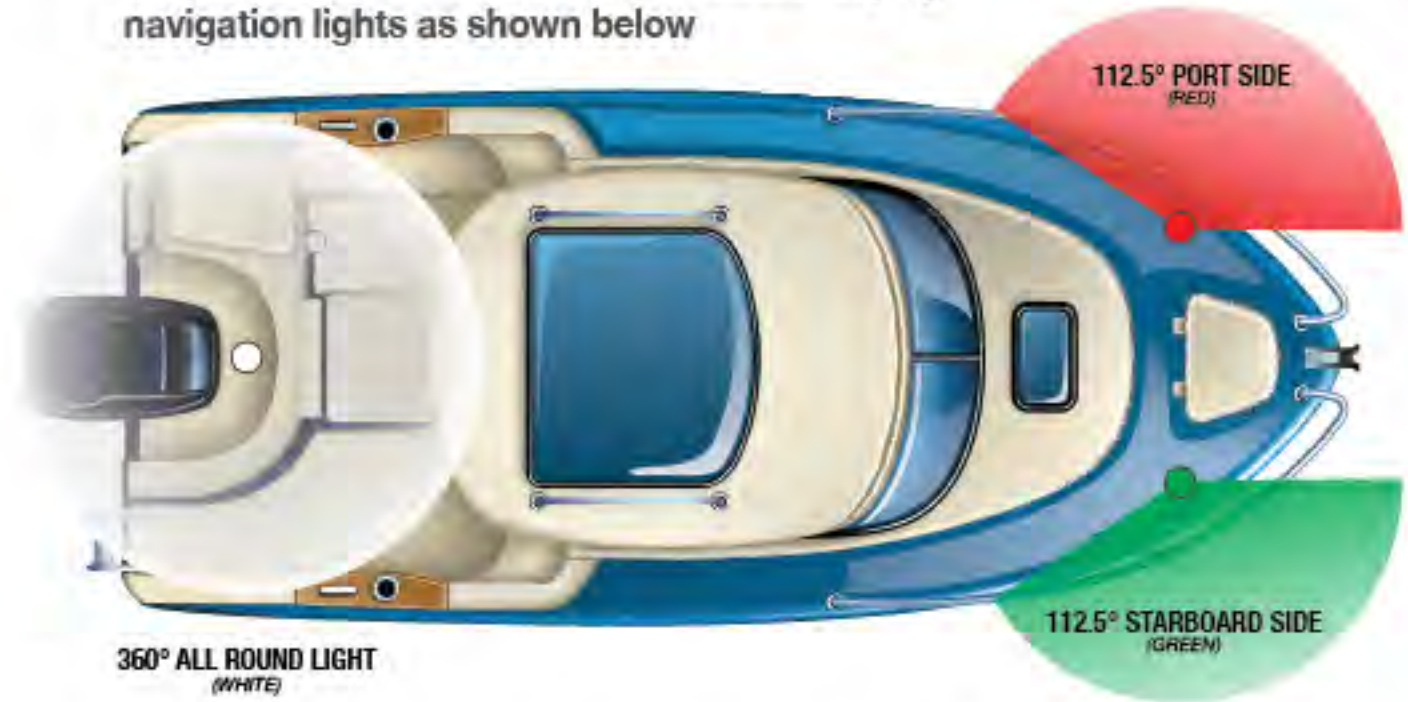
Coast Guard minimum lighting requirements vary with the size of your boat, type of propulsion, whether operated at night or in periods of reduced visibility, and, in some cases, the body of water on which it is used. For more complete details on what types of lighting equipment you must have aboard your boat visit www.boatus.com

Motorboats 39.4' - 65.6' in length should display navigation lights as shown below



Separate or combination red and green sidelights, 112.5°, visible 2 n.m., placed above hull at least 1 meter (3.3') below masthead light. Masthead: white, 225°, visible 3 n.m., at least 1 meter above side lights. White stern light, 135°, visible 2 n.m.

Motorboats under 39.4' in length should display navigation lights as shown below



Separate or combination red and green sidelights, 112.5°, visible 1 n.m., placed above hull at least 1 meter (3.3') below masthead light. White stern light, 135°, visible 2 n.m. OR, one all-round (360°) white light.



LED BOW LIGHT COMBO

Stainless Steel Led Bow Light Combination. LED's fully sealed in impact resistant housing. Adapter plates cover existing holes. Stainless steel mounting hardware.



Includes 2 Adapter Plates

12V LED **BI-COLOR** **MEETS USCG REQUIREMENTS**

Model Number	Part Number	Description
SL91888	5579-0007	Stainless Steel LED Bow Light Combo

LED BOW LIGHT COMBO

- 12 in Curved Aluminum Pole
- Low Amp Draw
- Meets ABYC A-16
- 2250 Visibility
- 12 Volt
- USCG Approved
- Plug-In Base
- Bi-Color



12V LED **BI-COLOR** **MEETS USCG REQUIREMENTS**

Model Number	Part Number	Description
SL51185	5709-0097	LED Bow Light Combo

CLASSIC BOW LIGHT

Bow light 12 volt combination red and green. Features a chrome plated zamak housing and a high impact plastic lens, a standard of the industry for years.



12V **BI-COLOR**

Model Number	Part Number	Description
SL52093	5579-0017	Bow Light Chrome Zamak

LARGE MOUNT BOW LIGHT

Red and green 12 volt bi-color bow light. This large footprint light has a chrome plated zamak housing, a high impact plastic lens, and black light base, a standard of the industry for years.



12V **BI-COLOR**

Model Number	Part Number	Description
SL52094	5709-0085	Bow Light Large Chrome Zamak



LED SIDELIGHTS

This pair of LED navigational side lights features one red and one green light. They are great for larger boats and pontoon boats. Features a tear drop low profile shape. Easy to install. 12 Volt.

Model Number	Part Number	Description
SL76624	5709-0117	LED Sidelights

12V LED **BI-COLOR**



CHROME PLUG-IN BOW LIGHT

Bi-color 10" angled plug in bow light. Fits standard 2-pin light bases and stows out of the way when not in use. #1004 replacement bulb.



12V **BI-COLOR**

Model Number	SL52095
Description	Bow Light Plug-In Zamak 10" Angled
Part Number	5709-0088

CLAMP-ON BOW LIGHTS

Clamp-on bi-color navigational lights now available in LED. This super efficient light powered by "D" cell batteries clamps on to boats in two positions and thicknesses up to 2 1/4". Great for boats without a 12 volt system or as a safety emergency back up, water resistant.



LED **BI-COLOR**

Model Number	Part Number	Description
SL52103	5709-0090	Bow Bi-Color Light Clamp-On
SL51290	5709-0092	LED Bi-Color Light Clamp-On

PORTABLE CLAMP ON NAVIGATION LIGHT KIT

Portable Clamp On Navigation Light Kit includes bi-color and all-round navigation lights. Easy to install. Battery operated. Optional mounting positions. Requires 3 "AAA" batteries (not included).

LED **BI-COLOR**

Model Number	Part Number	Description
SL91916	5709-0113	Portable Clamp-On Kit, Navigational Light
SL52092	5709-0426	Portable LED Clamp-On Bow Light



CLAMP-ON STERN LIGHTS

Clamp-on all-round navigational light. This super efficient light powered by "D" cell batteries clamps on to boats in two positions and thicknesses up to 2 1/4". Great for boats without a 12 volt system or as a safety emergency back up, water resistant.



- Water Resistant
- Two-way, Aluminum Reinforced Clamp

LED **360° Visibility**

Model Number	Part Number	Description
SL52102	5709-0107	All-Round Stern Light Clamp-On
SL51291	5709-0105	LED All-Round Light Clamp-On

5" LED ALL-ROUND LIGHT

This 5" LED all-round light has an anodized aluminum shaft and is Coast Guard certified.

12V



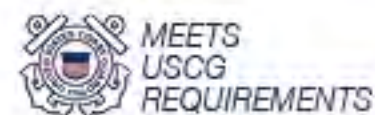
LED **360° Visibility**

Model Number	Part Number	Description
SL51599	5709-0101	5" LED Navigation Light



ALL-ROUND LED STERN NAVIGATIONAL LIGHT - ADJUSTABLE AND FIXED

LED's are reliable and efficient. This light has a sealed lens to prevent damage from the harsh marine environment. Low power consumption allows extended hours of operation when compared to traditional style lighting. Aluminum Pole. Fits most 2 prong stern bases.



12V
LED **360° Visibility**

Model Number	Part Number	Description
SL40011	5579-0008	28"-49" LED All-Round Adjustable Navigation Light
SL51596	5709-0099	36" LED Fixed Navigation Light

SL40011
Pole extends from 28" to 49"





ELECTRICAL NAVIGATION LIGHTING



FOLD DOWN STERN/ ANCHOR LIGHT

All-round fold down 10.75" navigation stern/anchor light. The anodized aluminum pole resists the elements, with the twist of a thumb screw the light can be lowered out of the way. Mounts on flat surface or angled windshield, 360° visible globe.

12V **360°**
Visibility



Model Number	Part Number	Description
SL52096	5709-0103	All-Round Light Folding



FOLD DOWN LED ALL-ROUND LIGHT

This 10.5" fold down LED all-round light has an anodized aluminum shaft and is Coast Guard certificated. Optional windshield mount.

LED

12V **360°**
Visibility



Model Number	Part Number	Description
SL50006	5579-0053	LED All-Round Light Fold-Down

ALL-ROUND STERN LIGHT

All-Round plug in navigation anchor light. Universal plug fits most 2-pin bases, the anodized aluminum pole resists the elements features a frosted 360° globe. Standard bulbs in 24" and 36". LED version available in 36".

12V **360°**
Visibility



Model Number	Part Number	Description
SL23938	5709-0109	All-Round Stern Light Aluminum 24"
SL23921	5579-0044	All-Round Stern Light Aluminum 36"
SL91503	5709-0111	LED All-Round Stern Light 36"

ADJUSTABLE ALL-ROUND STERN LIGHT

Snap adjustable light pole extends from 28" - 49" in height. This all-round plug in navigation light has a universal plug that will fit most 2 pin bases. The anodized aluminum pole resists the elements and has a frosted 360° globe.

12V

EXTENDS

28" - 48"

360°
Visibility



Model Number	Part Number	Description
SL76623	5579-0050	Adjustable All-Round Stern Light 28" - 48"



POLE LIGHT STORAGE CLIPS

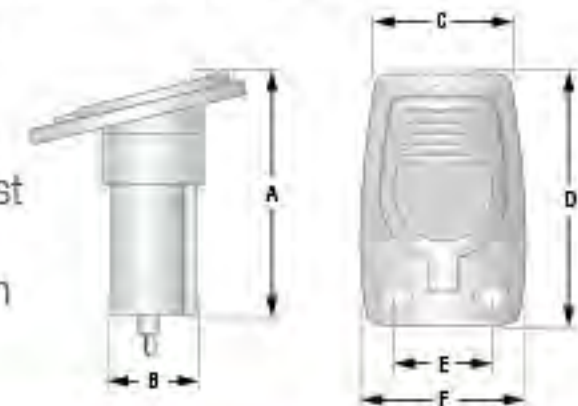
Soft rubber holds up to 3/4" diameter poles without denting or scratching. Ideal for storing and protecting plug-in pole or stern lights. 2" L x 1" H.

Model Number	Part Number	Description
SL91722	5709-0093	Pole Light Storage Clips



NYLON STERN LIGHT BASE

Navigation 2-pin light base, features a high impact nylon housing with cap, replaces most light bases, fits 2-pin style lights, comes with wiring pig tail.



Model Number	Part Number	Description
SL51272	5709-0095	Base Stern Light Nylon 2-Prong

A: 2.8" B: 1" C: 1.25" D: 2.6" E: 0.98" F: 1.66"

BOW / STERN LIGHT BASE

Navigation 2-pin light base, features a high impact nylon housing with stainless steel finish plate and weatherproof cap. Replaces most light bases, fits 2-pin style lights, comes with wiring pig tail.

12V



Model Number	Part Number	Description
SL52101	5579-0019	Base Stern Light SS Round

A: 2.60" B: 0.35" C: 2.11" D: 1.28"

BOW / STERN LIGHT BASE ANGLED

Navigation 2-pin light base, features a chrome plated cast zamak housing with sliding lid, replaces most light bases, fits 2-pin style lights, and comes with wiring pig tail.

12V



Model Number	Part Number	Description
SL52099	5579-0018	Base Stern Light Chrome Zamak

A: 3.2" B: 0.92" C: 3.88" D: 1.93" E: 1.41" F: 1"



MARINE TERMINALS BATTERY KIT

Convert a standard post battery to a marine style battery with this easy to install marine battery terminal kit. Kit includes one 5/16" negative black terminal and one 3/8" positive red terminal.



Model Number	Part Number	Description
SL52071	5709-0135	Battery Marine Terminal Kit

HEAVY DUTY BATTERY CLIPS

Color coded, 3", 20 Amp, spring loaded battery clips with zinc plated jaws, commonly used for aerators and portable lights. Red positive and black negative molded plastic handles for easy identification. Slip on crimp wire terminal provided, sold in pairs.



Model Number	Part Number	Description
SL91552	5709-0127	Battery Clip HD Pair

BATTERY CLIP EXTENSION

Battery clip extension socket allows for plug-in 12 volt accessories to be connected directly to the battery. Color coded, 3", plated, 15 Amp. Spring loaded battery clips are directly wired to a socket commonly used on spotlights and cell phone chargers.



Model Number	Part Number	Description
SL52073	5709-0133	Battery Clip Socket Extension

BATTERY TRAY STRAP

54" Battery/fuel tank tie down strap. Includes strap, quick release buckle, two mounting brackets and stainless steel hardware.



Model Number	Part Number	Description
SL52080	5709-0125	Battery Fuel Tank Utility Tie Down

BATTERY BOX

Heavy duty battery box that safely secures 24M & 27M size batteries. Includes box, strap with quick release buckle, and stainless steel hardware.



Model Number	Part Number	Description
SL52077	5709-0498	Battery Box 24M
SL52078	5709-0503	Battery Box 27M

BATTERY CLIPS

Color coded, 3", plated, 15 Amp, spring loaded battery clips that are commonly used for aerators and portable lights. Red positive and black negative grips for easy identification. Crimp wire connection, sold in pairs.



Model Number	Part Number	Description
SL52072	5709-0131	Battery Clips 15 Amp Pair

BATTERY SELECTOR SWITCH

Flush or Surface Mount
Battery Selector Switch for Dual Marine Batteries
Off / Bat 1 / Batt 1&2 / Bat 2
Requires #10 Mounting Hardware *(Not Included)*



Model Number	Part Number	Description
SL30603	5709-0544	Battery Selector Switch - 2 Battery 200 AMP

BATTERY CUT OFF SWITCH W/KEY

Battery cut off switch prevents battery drain when craft is not in use. Removable key adds security from theft. Weather resistant rubber cap protects when key is removed. Eliminated battery drain when shut off. 100 amp, 12 volt continuous requires mounting bolts.



Model Number	Part Number	Description
SL91553	5709-0129	Battery Cut Off Switch with Key

ALLIGATOR BATTERY CLIPS

Corrosion Resistant Nickel Plating
Rated up to 20 Amp
Spring Loaded Clamps
Connects 12 Volt DC Accessories to Battery
Sold in Pairs



Model Number	Part Number	Description
SL51010	5709-0574	Nickel Plated Battery Clips

BATTERY TRAYS

Heavy duty battery tray that safely secures 24M or 27M size batteries. Includes tray, strap with quick release buckle, and stainless steel hardware.



Model Number	Part Number	Description
SL52075	5579-0013	Battery Tray 27M



ELECTRICAL ACCESSORIES



12V

BATTERY METER / ALTERNATOR CHECKER

Check your 12 volt battery condition or alternator output easily. Simply connect the black lead to negative terminal on battery with included gator clip then touch positive terminal with red probe. Easy to read LED indicators.

Model Number	Part Number	Description
SL52070	5579-0380	Battery Meter



WIRE TIES

Provides strong support for positioning cable and pipe bundles. 1-piece construction allows for consistent performance and reliability.

Model Number	Part Number	Description
SL51049	5709-0575	Wire Tie 100 Pack 8" (4.8 mm)
SL51050	5709-0576	Wire Tie 100 Pack 11" (4.8 mm)

LED REPLACEMENT BULBS



SL76625

SL76626

Three different bulbs sizes: #58 for portable clamp on navigation lights, #90 fits all bow lights, #1156/#1004 for all around lights and trailer lights.

SEALED FOR MARINE USE

LED

Model Number	Part Number	Description
SL76625	5709-0035	LED Replacement #1004/1156 Bulb
SL76626	5709-0027	LED Replacement #58 Bulb 2.5V

LIGHT BULB ASSORTMENT



Includes a 2.5 volt bulb for portable stern and bow light. #90 bulb for auto, marine interior, bow/stern light, #1157 bulb for auto park, tail light and signal lights and #1004 All Round Lights.
#58, #90, #1004, #1157

Model Number	Part Number	Description
SL52086	5709-0082	Bulb Assortment

IN-LINE WATERPROOF FUSE HOLDERS



Uses AGC style fuses. Accepts 12-18 wire. Yellow. For 1/4" x 1-1/4" fuses. 30 amp fuse included.

Model Number	Part Number	Description
SL52081	5709-0137	Fuse Holder In-Line Waterproof

10 PIECE FUSE KIT



Includes replacement fuses most commonly used in marine applications: Fuse Kit AGC 1 each 2, 10, 15, 20, 30. ATO/ATC

1 each 5, 10, 15, 20, 30.

Model Number	Part Number	Description
SL91862	5709-0121	Fuse Kit AGC 10 Pc

TROLLING MOTOR CONNECTOR



An easy, quick way to disconnect trolling motor wiring. For 12 or 24 volt trolling motors. Includes male and female connectors. Heavy duty 10 gauge marine grade wiring.

Model Number	Part Number	Description
SL50046	5709-0382	Trolling Motor Connector

IN-LINE ATC FUSE HOLDER



12 Gauge Marine Grade Wire
Waterproof
Includes 20 Amp Fuse
Rated up to 20 Amp

Model Number	Part Number	Description
SL51405	5709-0584	Fuse Holder In-Line ATC Type W/20 Amp Fuse

ELECTRICAL TAPE



16 feet of red, black, and green. UL approved electrical tape.

Model Number	Part Number	Description
SL91589	5709-0143	Electrical Tape 3-Roll Pack

ROCKER SWITCH



Low profile switch with matte black plastic housing. Uses standard spade terminals. Illuminated when set to ON position. 15 Amp @ 12V.

Model Number	Part Number	Description
SL51351	5709-0147	Illuminated Rocker Switch On/Off/On



TOGGLE BOOT

Toggle boot makes most toggle switches weather resistant, Threads on replacing the finish nut on the switch.



Model No.	Part Number	Description
SL52104	5709-0139	Toggle Boot Black

LED SWITCH PANEL

with LED indicators. Stainless steel mounting hardware. UV stabilized high impact plastic. Includes 3 switched circuits and one 12V outlet.

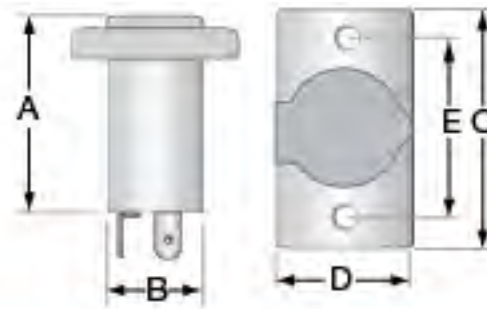


Model No.	Part Number	Description
SL91866	5709-0303	4 Gang Switch Panel

POWER PLUG & SOCKET

Universal plug and socket for most 12 volt applications. Weather resistant cover. Includes stainless mounting hardware and 10 Amp fuse.

12V

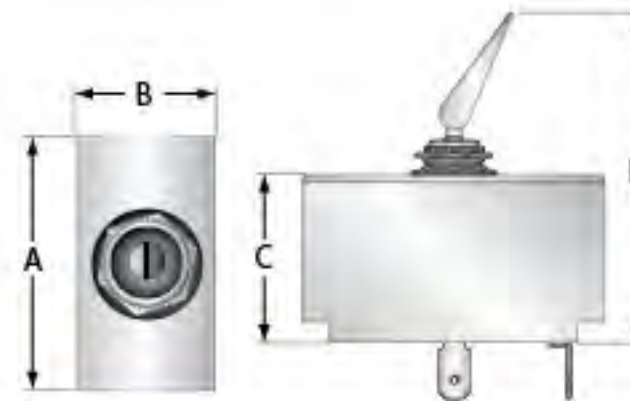


Model Number	Part Number	Description	Product Dimensions
SL52084	5709-0145	Power Plug and Socket with Cover	A: 1.8" B: 1" C: 2.25" D: 1.27" E: 1.5"

PLASTIC TOGGLE SWITCHES

Toggle with black actuator fits panels up to 1/4" thick, comes with spade type terminals, great for lights, aerators and blowers. 15 Amp @ 12V.

12V

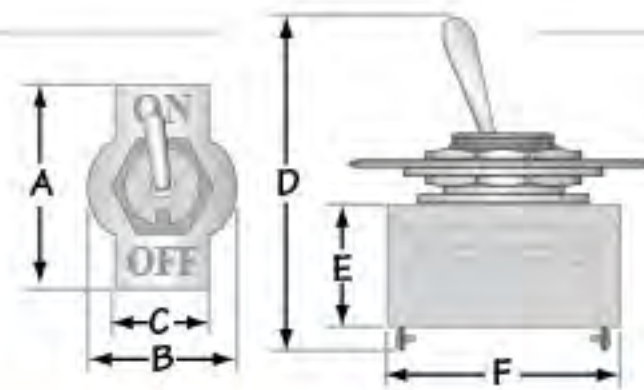


Model Number	Part Number	Description	Product Dimensions
SL52106	5709-0149	Toggle Switch On - Off	A: 1.38" B: 0.81" C: 0.83" D: 1.94"

BRASS TOGGLE SWITCHES

Brass toggle with chrome actuator, fits panels up to 1/4" thick, comes with spade type connectors, great for lights, aerators and blowers. 15 Amp @ 12V.

12V

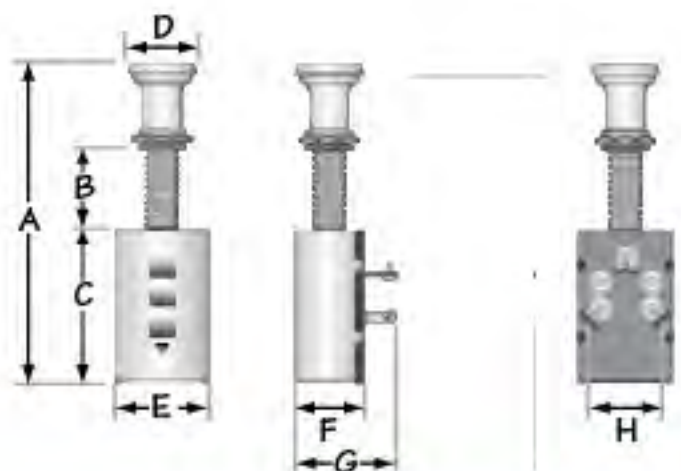


Model Number	Part Number	Description	Product Dimensions
SL52107	5579-0020	Toggle Switch Brass On - Off	A: 1.34" B: 0.96" C: 0.63" D: 2" E: 0.67" F: 1.14"

BRASS PUSH/PULL SWITCH

Two and three position corrosion resistant brass switch. Accommodates up to 1" thick panel. 15 Ap @ 12V..

12V



Model Number	Part Number	Description	Product Dimensions
SL51304	5709-0151	Push/Pull Switch 2-Position Brass	A: 3.88" B: 1.07" C: 0.86" D: 0.85" E: 1.90" F: 0.72" G: 1.4" H: 1.89" I: 1.1" J: 0.58"



KEEP IT DRY!

DON'T HAVE YOUR ELECTRONICS WALKING THE PLANK...KEEP THEM CLOSE, DRY, AND SECURE.



-
-
-
-

FLOATING PHONE DRY POUCH

The floating waterproof pouch seals securely to keep your phone completely dry and safe in even the wettest conditions. Touch screen functionality works through the clear front side of the pouch. Weather and waterproof. Built in air pocket to keep the pouch afloat.

Model Number	Part Number	Description
SL35066	5709-0003	Mobile Device Case Large Float - 9.25"X4.63"

E-READER/PHONE DRY POUCH

The waterproof pouch seals securely to keep your reader, camera or other device completely dry and safe in even the wettest conditions. Touch screen functionality works through the clear front side of the pouch. Weather and waterproof.

Model #	Part Number	Description
SL91861	5709-0159	Waterproof Electronics Pouch 8.25" x 6.25"



PHONE/CAMERA DRY POUCH

The dry pouch seals securely to keep your digital camera, smart device or phone completely dry and safe when you're on the water. Touch screen works through the clear front side of the pouch. Additionally, you can talk and hear directly through the pouch. Includes a security lanyard.

Model #	Part Number	Description
SL52040	5709-0157	PVC Phone/Camera Dry Pouch - 4.4"X 6.5"



HOOK, LURE & PLIER SLOTS

LARGE MARINE CADDY

This large caddy with drink holder and a large storage compartment includes oversized suction cups. Easy to apply and no tools required. Two additional storage slots with holes around the outside to hang lures, pliers and other tools.



Model Number	Part Number	Description
SL76642	5709-0167	Gear Caddy LRG W/Suction Cups

ELECTRONICS CADDY

Electronics caddy with oversized suction cups. Easy to apply. No tools required. Can be removed and re-applied. Two storage compartments with removable dividers.



Model Number	Part Number	Description
SL76643	5709-0169	Electronics Caddy W/Suction Cups

BOAT CADDIES SINGLE DRINK HOLDER

Suction cup side and bottom. No tools required for installation. Includes 2 large suction cups.



Model Number	Part Number	Description
SL92004	5579-0010	Boat Caddies Single Drink Holder

SWIVEL MOUNT BRASS CUP HOLDER

Chrome plated brass drink holder, for cans, bottles, glasses and coffee mugs. Swivels in all directions to reduce spills from boat movement. Installs easily and is quickly removable. Includes insulated foam beverage holder, stainless steel mounting hardware and a spare mounting location.



Model Number	Part Number	Description
SL52110	5579-0379	Drink Mug Holder CP Brass

RECESSED CUP HOLDER

Flush mount recessed cup holder. Install in the helm, table, console, or arm rest. Self draining. High impact plastic.



Model Number	Part Number	Description
SL91531	5709-0163	3.25" x 4" Recessed Cup Holder PDQ Black
SL52111	5709-0165	3.25" x 4" Recessed Cup Holder PDQ White
SL52009	5709-0008	3" x 3" Recessed Cup Holder PDQ White

FOLD-UP ADJUSTABLE DRINK HOLDER

Folding drink holder for cans, bottles, glasses and coffee mugs. Easy installation. Folds out of the way when not in use. Stainless steel hardware included.



Model Number	Part Number	Description
SL52112	5579-0378	Drink Holder Fold-Up White
SL91340	5709-0161	Drink Holder Fold-Up Black
SL40364	5709-0412	Drink Holder Fold-Up White - 8pk PDQ



KNIFE AND PLIER HOLDER

Holds 1 set of pliers and carabiner, 2 knives, 13 hook and lure holders, UV protected, weather, and corrosion proof screw or suction cups for customizable installation. *Screws not included

Model Number
SL76644
Description
Knife and Plier Holder
Part Number
5709-0155



GENERAL ACCESSORIES

BIMINI TOP REPLACEMENT STRAPS



Made from high impact 1" white webbing. Includes stainless steel spring snap hook. Keeps Bimini tops secure and tight. Adjusts to 96" in length.

Model Number	Part Number	Description
SL91760	5709-0189	Bimini Top Strap 96", White

16' SOFT TWIST TIE



Cuts Easily to Desired Length
Soft, Non-Marring Outer Coating
Easy to Bend, Secure and Reusable

Model Number	Part Number	Description
SL39985	5709-0153	16' Wire Wrap

TROLLING MOTOR PULL CORD



48" trolling motor replacement pull cord with heavy duty ergonomic handle.

Model Number	Part Number	Description
SL91558	5709-0197	Trolling Motor Lift Cord

COOLER CHOCKS WITH STRAPS



Perfect for keeping your cooler in place. Molded UV resistant corner brackets to fit virtually all cooler sizes. Features 2 bungee straps with stainless steel center hooks. Prevents damage to your cooler or boat. Easy to install on flat surfaces.

Model Number	Part Number	Description
SL52145	5709-0195	Cooler Chock Kit

FIVE STEP FOLDING ROPE LADDER



This five step folding ladder stores compactly. Steps are curved steps for added comfort and stability.



Model Number	Part Number	Description
SL52123	5579-0022	Ladder Rope 5 Step Folding

ALUMINUM PONTOON LADDER



Our sturdy aluminum 3-step and 4-step pontoon ladders are easy to install and remove as needed. Curved and cushioned top rails hook safely onto your pontoon boat without marring the ledge or rail. Top rail hooks are 11" deep and swivel inward for flat storage. Steps are 13.5" wide and 9.75" between each step. 3-step ladder is 36" tall, 4-step ladder is 46" tall.

SL52124 - 3 Step 36"H x 14.5"W x 11" D (hook) 9.75" Between Steps	SL52125 - 4 Step 46"H x 14.5"W x 11" D (hook) 9.75" Between Steps
---	---

Model Number	Part Number	Description
SL52124	5709-0305	Ladder Aluminum 3 Step Folding
SL52125	5709-0193	Ladder Aluminum 4 Step Folding

28" - 48" TELESCOPIC BOAT COVER SUPPORT POLE



Telescopic Pole 28" (71 cm) - 48" (122 cm)
Non-Skid Rubber Bottom

Model Number	Part Number	Description
SL91029	5709-0356	Boat Cover Support Pole Alum

FOLDING DOCK KART



This high impact plastic folding dock cart is easy to wheel and great for transporting your marine items. Folds compactly for easy storage.

Extended: 15"L x 13"D x 13"W, 33"H
from top handle to bottom wheel

Model Number	Part Number	Description
SL76648	5709-0518	Folding Dock Kart



UNIVERSAL MOUNT ROD HOLDER

Rod holder with 4 mounts: flush, side, round rail and square pontoon rail.



Model Number	Part Number	Description
SL40039	5709-0179	Universal Mount Rod Holder - Black
SL40402	5709-0181	Universal Mount Rod Holder - White



WIRE ROD HOLDER

The wire holder is made of steel and dipped in PVC plastic to cushion the rod. Comes with a deck mount and is easily removable.



Model Number	Part Number	Description
SL76663	5709-0038	Wire Rod Holder

ADJUSTABLE MOUNT PIVOT AND SWIVEL ROD HOLDER

Tournament quality adjustable rod holder pivots up and down and swivels 360 degrees. Locking system secures spinning. Designed to work with bait cast and closed face rods and reels. Constructed of black heavy-duty nylon with stainless steel hardware. Choose from 3 mounting types. Rail mount attaches to round or square rails up to 1in diameter.



Model Number	Part Number	Description
SL52131	5709-0183	Adjustable Rod Holder Rail Mount

ROD HOLD-DOWN

Rod tie down allows for fishing rods to be secured to the deck or in a hatch. Includes strap (tie down), eye strap and stainless steel hardware.



Model Number	Part Number	Description
SL91557	5709-0173	18 Rod Hold Down Deck Mount

SINGLE ROD HOLDER

The single rod holder mounts in many a variety of locations. High impact white plastic resists chips and cracks and can be cleaned up with soap and water. UV stabilizers make these rod holders durable. Mounting hardware included.



Model Number	Part Number	Description
SL91357	5709-0171	Rod Holder 12 Pack Tube White

CLAMP ON ROD HOLDER

Easily clamps on boats and piers, fits most rod styles, mounting hardware included.



Model Number	Part Number	Description
SL40320	5709-0515	Clamp-on Rod Holder

ROD HOLDER RACKS

Made of high impact white plastic. Resists chips and cracks and can be cleaned up with soap and water. UV stabilizers make these rod holders durable. Includes stainless steel hardware.



Model Number	Part Number	Description
SL91272	5709-0185	Rod Holder 3-Rack Deluxe

FLUSH MOUNT ROD HOLDER

30 degree angled flush-mount single rod holder made in black nylon, white nylon, or black nylon with stainless steel bezel. High impact nylon.

Model Number	Part Number	Description
SL91449	5709-0175	Rod Holder Flush - Black
SL91456	5709-0177	Rod Holder Flush - White
SL52098	5709-0000	Rod Holder Flush - Black with SS Bezel



INSTALLATION TIPS:



Scan the QR code for instant access to the Captain Weekend 'How to Mount a Fishing Rod Holder' installation video



GET PUMPED!

KEEP YOUR BOAT AFLOAT WITH A RELIABLE SHORELINE BILGE PUMP

**DUAL MOUNT
LIVE WELL**



ABYC
Meets U.S.C.G.
Requirements



// TEST 1

Shoreline Bilge Pump 600 GPH VS Competitor Bilge Pump 500 GPH
Details : Three of each pump tested three times for 20 seconds @ 17" of head
Results : Shoreline 455.4 GPH vs Competitor 180.0 GPH
Shoreline 600 GPH out pumps the Competitor 500 GPH by 275.4 GPH

// TEST 2

Shoreline Bilge Pump 800 GPH VS Competitor Bilge Pump 800 GPH
Details : One of each pump tested three times for 20 seconds @ 17" of head
Results : Shoreline 675 GPH vs Competitor 585 GPH
Shoreline 800 GPH out pumps the Competitor 800 GPH by 90 GPH

// TEST 3

Shoreline Bilge Pump 1100 GPH VS Competitor Bilge Pump 1200 GPH
Details : One of each pump tested six times for 10 seconds @ 17" of head
Results : Shoreline 1062 GPH vs Competitor 900 GPH
Shoreline 1100 GPH out pumps the Competitor 1200 GPH by 162 GPH

Industry testing is done at zero head (All Shoreline pumps meet GPH claim and are tested to ABYC standards)

// THE SHORELINE BILGE PUMPS MOVE A LOT OF WATER EFFICIENTLY:

The strainer two way mounting bracket allows you to quickly install the Shoreline Marine pump in a variety of locations and boats. The strainer base and pumps 600 GPH – 1100 GPH interchange with Rule™ pumps so if you have an existing base, the Shoreline will snap right in.

// THE 12V BILGE PUMP FEATURES:

High-quality, extra length marine grade tinned wire | Easy to install
High volume impellers | Balanced motors with stainless steel shafts

Available in a variety of sizes, 600, 800, 800 Auto, 1100, 1500, Dual Mount 800 Livewell



**Traditional
Float Switch**



600 GPH



800 GPH



1100 GPH



800 GPH Auto



Dual Mount Live Well



FLOAT SWITCH

Automatic lever type switch. No mercury - with tinned marine-grade wire. For use with most 12V bilge pumps. Simple installation, mounting hardware included. 5 Amp at 12 Volt DC.

Model Number	SL52267
Description	Bilge Pump Float Switch
Part Number	5579-0391



LIVEWELL PUMP

Turbo Livewell pump delivers 800 GPH. Ignition protected & submersible. Includes mounting hardware. Tinned marine-grade wire. Dual mount.

Model Number	SL52262
Description	Live Well Thru-Hull 800 GPH
Part Number	5709-0211

BILGE PUMPS

Bilge pumps have universal mounting base allowing pumps to snap into competitors bases without modification to mounting holes or position. All pumps are ignition protected and meet USCG requirements.

Model Number	Part Number	Description
SL52256	0156-0004	Bilge Pump 600 GPH 3/4"
SL52257	5579-0038	Bilge Pump 600 GPH with Switch, 3/4"
SL52259	5579-0039	Bilge Pump 800 GPH 3/4"
SL52261	5709-0207	Bilge Pump 1100 GPH 1-1/8"



HIGH CAPACITY BILGE PUMPS

High capacity 1500 GPH Bilge pumps have universal mounting base, allowing pumps to snap into competitors bases without modification to mounting holes or position. All pumps are ignition protected and meet USCG requirements.



Model Number	Part Number	Description
SL52416	5709-0209	Bilge Pump 1500 1-1/8"



AUTOMATIC BILGE PUMPS WITH FLOAT SWITCH

Automatic bilge pumps feature an internal float switch for automatic operation. All pumps are ignition protected and meet USCG requirements. 8 second shut off delay in auto mode to maximize water extraction.

Model Number	Part Number	Description
SL52260	0156-0080	Bilge Pump 800 GPH Auto-Switch, 3/4"



BILGE PUMP SWITCH

3 way bilge pump switch with 10 Amp breaker. On-off-auto. Marine grade tinned wire and aluminum face plate. Booted toggle switch. 3-1/4" x 2". LED power indicators.

Model Number	Part Number	Description
SL52268	5579-0390	3 Way Bilge Pump Switch



WHAT ARE THE CUSTOMERS SAYING ?

5.0 out of 5 stars

★★★★★
It is Fast and Quiet.
By Dennis on April 29, 2013
I traded a boat and it needed a bilge pump so I installed this one. I left the plug in my boat about a month after I bought this and it rained and the water got pretty deep in the transom area. I turned the pump on and it pumped it out like a garden hose on full blast. (I also pulled out the plug.) I recommend this seller.

5.0 out of 5 stars

★★★★★
Great product! I had some trouble with waves coming ...
By Tony on July 19, 2016
Great product! I had some trouble with waves coming over the sides of my boat. Without this bilge pump said boat would be at the bottom of the Delaware River right now. Thanks!

5.0 out of 5 stars

★★★★★
Great little motor
By G. Bailey on September 26, 2016
Great little pump, works fine, tested when I had to beach due to motor failure, and heavy waves put 8 inches of water in the back of the boat, pumped it out quickly and without complaint.



Scan the QR code for instant access to the Captain Weekend bilge pump installation video





DRAIN WATER, NOT MONEY.

SOMETIMES IT'S THE LITTLE THINGS THAT
MAKE A HUGE DIFFERENCE.



BILGE PUMP PLUMBING KIT

Bilge pump plumbing kit contains all parts needed for bilge pump installation. Includes 3/4" X 5' of plastic bilge hose, thru-hull fitting, and 2 stainless steel hose clamps.

Model Number	SL52253
Description	Plumbing Kit 3/4"X 5' Hose
Part Number	5579-0392

This Kit Includes SL52132 Hose Clamps and SL52252 Thru-Hull fitting



PLUG ASSISTANCE?



Learn how to choose and install the right drain plug by scanning the QR code.



UNIVERSAL HOSE CLAMPS

Stainless steel hose clamps attach and seal hoses onto a fitting or barb. A must have for plumbing repair and installation.

Model Number	Part Number	Description
SL52132	5709-0205	Hose Clamp SS 1/4" To 5/8" Pair
SL52133	5709-0203	Hose Clamp SS 3/8" To 7/8" Pair
SL57206	5709-0577	Hose Clamp SS 7/16" To 1" Pair



THRU-HULLS

3/4" Thru-hull fitting made from corrosion proof, High Impact nylon. Accepts most 3/4" hose types. For use above the waterline only.

Model Number	Part Number	Description
SL52252	5579-0037	Thru-Hull Fitting 3/4"

SCUPPER VALVE

High Impact Nylon
Allows Water To Exit And Not Enter
2-7/8 in Outer Diameter



Model Number	Part Number	Description
SL54230	5709-0580	Cockpit Scupper Valve 2-7/8" Od

HAND BILGE PUMP

Self priming 24" hand pump with a 36" hose. Designed for use on small boats, dinghies or any other area water collects. Can also be used in case of emergency.



Model Number	Part Number	Description
SL52264	5579-0040	Bilge Pump Manual 24"



GARBOARD DRAIN PLUG

Heavy duty brass garboard drain plug. Fits 1/2" NPT garboard drains. Easily removed by wrench or pliers. Garboard drain plug kit includes female drain receptacle and plug. Machined, tapered pipe threads ensure water tight fit. Plug also uses 1/2" NPT male threads.

Model Number	Part Number	Description
SL52174	5709-0227	Garboard Plug with Loop
SL52176	5709-0229	Garboard Plug only Brass
SL52177	5709-0231	Garboard Plug Kit Brass



ONE-WAY GARBOARD DRAIN PLUG KIT

One-way Flow • Allows Bilge to Drain Freely • Restricts Water From Coming Back In
Tighten or Loosen With a Wrench, Screwdriver, or Similar Object or Tool

Model Number	Part Number	Description
SL54829	5709-0546	One Way Garboard Drain Plug



TWIST DRAIN PLUG

Twist-type drain plug for use in 1" transom tubes. The corrosion resistant plug tightens in place with a clockwise rotation of the "T" handle.

Model Number	Part Number	Description
SL52172	5579-0033	Drain Twist Plug 1" Stainless Steel
SL52181	5579-0384	Drain Twist Plug 1" Brass
SL52182	5709-0215	Drain Twist Plug 1" Brass PDQ
SL52182R	5709-0517	Drain Twist Plug 1" Brass PDQ Refill 12pk
SL91501	5709-0213	Drain Twist Plug 1" Aluminum



SNAP DRAIN PLUG

Drain plugs for use in 1" transom tubes. Easy to use cam style for tight, long lasting seal.

Model Number	Part Number	Description
SL52171	5579-0032	Drain Snap Plug 1" SS
SL52178	5709-0217	Drain Snap Plug 1" Qty 36pk PDQ
SL52179	5709-0219	Drain Plug Aluminum Snap 1"
SL52180	5579-0385	Drain Snap Plug 1" Brass
SL54843	5709-0583	Drain Snap Plug 1-1/4" Brass



DECK & BAIT WELL PLUGS

Stainless steel plates with adjustable brass cam snap. Provides a tight, leak-proof seal in most drains. 1-2" to 3/4".

Model Number	Part Number	Description
SL52184	5709-0221	Bait well Plug 1/2" Brass Pr
SL52186	5709-0223	Bait well Plug 5/8" Brass Pr
SL52187	5709-0225	Bait well Plug 3/4" Brass Pr



THAT WAS A CLOSE ONE...

"I have a 16-year-old son who, along with two of his buddies, bought an old aluminum fishing boat. They were so excited about their purchase and couldn't wait to paint it and go fishing. That dream almost came to an end when they took the boat out for the first time. Water filled the back end and the boys quickly realized that they had forgotten a most important item...*the drain plug!* They hand pumped the water out, and put the plug in just in time...they've been on the lake every weekend since...with a spare plug." - Doug Austin





WHAT'S THE DIFFERENCE?

STAINLESS STEEL, BRASS, CHROME PLATED, ZINC PLATED, ZAMAK...WHAT ARE THE DIFFERENCES BETWEEN THESE MATERIALS?

MATERIAL



// ZAMAK
Zamak 3 (ASTM AG40A), or Zinc Alloy 3, is the most widely used zinc alloy in North America and is usually the first choice when considering zinc for die casting for a number of reasons. When it comes to die casting, Zamak 3 is the standard by which other zinc alloys are rated.

★
GOOD



// BRASS
Brass is a metal alloy made of copper and zinc; the proportions of zinc and copper can be varied to create a range of brasses with varying properties. It is a substitutional alloy: atoms of the two constituents may replace each other within the same crystal structure.

★★★
BETTER



// STAINLESS STEEL
Stainless steel is an alloy of iron with a minimum of 10.5% Chromium. Chromium produces a thin layer of oxide on the surface of the steel known as the 'passive layer'. This prevents any further corrosion of the surface. Increasing the amount of Chromium gives an increased resistance to corrosion.

★★★★
BEST

COATING



// ZINC PLATED
Zinc plating is typically used for screws and other small fasteners, light switch plates, and various small parts that will be exposed in interior or mildly corrosive conditions. For use in moderate or severe environments, the materials must be chromate-conversion coated for additional corrosion protection.



// CHROME PLATED
Chrome plating is a technique of electroplating a thin layer of chromium onto a metal object. The chromed layer can be decorative, provide corrosion resistance, ease cleaning procedures, or increase surface hardness. Sometimes a less expensive imitator of chrome may be used for aesthetic purposes.

The purpose of applying a coating may be decorative, functional, or both. Functional coatings may be applied to change the surface properties of the substrate, such as adhesion, wettability, corrosion resistance, or wear resistance.



ZAMAK

SL62135



BRASS

SL62169



STAINLESS STEEL

SL62155



ZINC PLATED

SL62158



CHROME

SL62163

LET'S TALK ABOUT CORROSION:

// WHAT IS CORROSION?

Corrosion is the deterioration of a metal as a result of chemical reactions between it and the surrounding environment. Both the type of metal and the environmental conditions, particularly gasses that are in contact with the metal, determine the form and rate of deterioration.

// DO ALL METALS CORRODE?

All metals can corrode. Some, like pure iron, corrode quickly. Stainless steel, however, which combines iron and other alloys, is slower to corrode and is therefore used more frequently. All small group of metals, called the Noble Metals, are much less reactive than others. They include copper, palladium, silver, platinum, and gold.

// TYPES OF CORROSION:

- 1. General Attack Corrosion:** This very common form of corrosion attacks the entire surface of a metal structure. It is caused by chemical or electrochemical reactions. While general attack corrosion can cause a metal to fail, it is also a known and predictable issue. As a result, it is possible to plan for and manage general attack corrosion.
- 2. Localized Corrosion:** Localized corrosion attacks only portions of a metal structure.
- 3. Galvanic Corrosion:** Galvanic corrosion can occur when two different metals are located together in a liquid electrolyte such as salt water. In essence, one metal's molecules are drawn toward the other metal, leading to corrosion in only one of the two metals.
- 4. Environmental Cracking:** When environmental conditions are stressful enough, some metal can begin to crack, fatigue, or become brittle and weakened.



OARLOCK CLAMP-ON

Made from heavy duty, zinc-plated steel. Easily attaches to oars without drilling using supplied adjustable bolts. Fits 1-5/16" to 2-1/8" diameter oar shafts.



Model Number	Part Number	Description
SL52235	5709-0235	Oarlock Clamp-Pair

OARLOCK HORNS CLAMP-ON

Heavy duty clamp-on oarlocks. Made from zinc plated steel for strength and reliability. Clamps on to 1-5/16" to 2-1/8" diameter oar shafts and fits standard 1/2" oarlock sockets.



Model Number	Part Number	Description
SL52231	5709-0233	Oarlock Horns Clamp-On H.D.

OARLOCK HORNS CHROME ZAMAK

Chrome plated oarlock horns with locking pins sized for up to 1-3/4" oars and fits standard 1/2" oarlock sockets. Provides secure and smooth rowing.



Model Number	Part Number	Description
SL52232	5579-0035	Oarlock Horns Chrome Zamak

OARLOCK SOCKETS

Chrome plated oarlock sockets with pre-drilled holes to accept 1/2" shank oarlocks.



Model Number	Part Number	Description
SL52234	5579-0036	Oarlock Sockets Chrome Zamak

UNIVERSAL SNAP

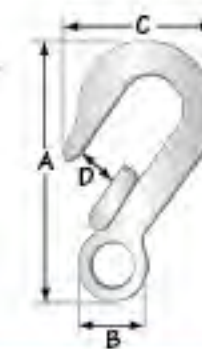
Universal 4" zinc plated snap with spring loaded jaw. 240 lbs working load.

Model Number	Part Number	Description	Capacity
SL52157	5579-0029	Universal Snap 4" Plated	240 lbs



UTILITY EYE HOOK

Stainless steel utility eye hook. Multi purpose with spring loaded feature. 650 lbs working load.

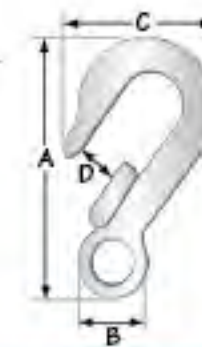


Model Number	Part Number	Description	Capacity	Product Dimensions
SL52155	5579-0028	Utility Eye Hook 4" 316 SS	650 lbs	A: 4" B: 1.4" C: 2.15" D: 0.59"



UTILITY WINCH HOOK

Spring loaded winch hook. Heavy duty zinc plated steel. 1500 lbs working load.



Model Number	Part Number	Description	Capacity	Product Dimensions
SL52158	5579-0030	Utility Winch Hook 4" Plated	1500 lbs	A: 4" B: 1.33" C: 2.3" D: 0.69"



SWIVEL EYE SNAP

Swivel eye snap with spring loaded jaw.

Brass, Chrome Plated Brass & Stainless Steel



Model Number	Part Number	Description	Capacity	Product Dimensions
SL52160	5709-0253	Eye Snap Swivel 3 1/4" Brass	60 lbs	A: 3.25" B: 0.73" C: 0.70" D: 0.39"
SL52161	5579-0382	Eye Snap Swivel 3 3/4" Brass	80 lbs	A: 3.75" B: 0.81" C: 0.95" D: 0.60"
SL52162	5579-0031	Eye Snap Swivel 4 1/2" Brass	100 lbs	A: 4.5" B: 0.88" C: 0.97" D: 0.60"
SL52154	5709-0255	Eye Snap Swivel 3 3/4" SS	100 lbs	A: 3.75" B: 0.81" C: 0.95" D: 0.60"
SL52163	5579-0388	Eye Snap Swivel 3 3/4" Chrome Brass	240 lbs	A: 3.75" B: 0.81" C: 0.95" D: 0.60"





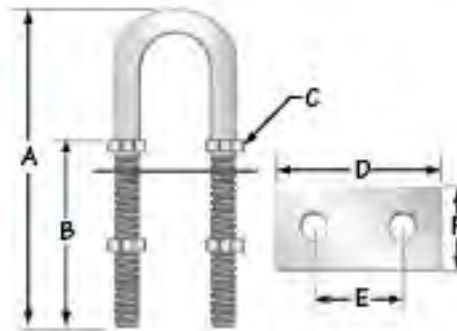
HARDWARE LINKS, EYEBOLTS



BOW/STERN EYE

3/8" 316 stainless steel eye can be used on the bow or stern. Stainless steel finishing plates. Nuts are included.

Model Number	SL52146
Description	Bow/Stern Eye 3/8" SS
Part Number	5579-0027
Product Dimensions	A: 5.11" B: 3.21" C: 1.45" D: 2.75" E: 1.4" F: 1.25" G: 1.26" H: 1.37"



BOW/STERN EYE

- Zamak Chrome Plated Eye
- 1-1/2" (38 mm) ID Eye Hole
- 3/8" (9.5 mm) Shank
- Comes with Extra Shank
- Work Load 500 LB (226.7 kg)

Model Number	SL27000
Description	Bow Eye 3" & 5" Chrome Zamak
Part Number	5709-0050

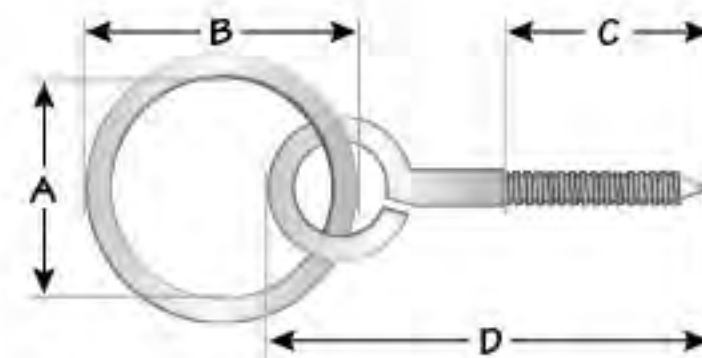
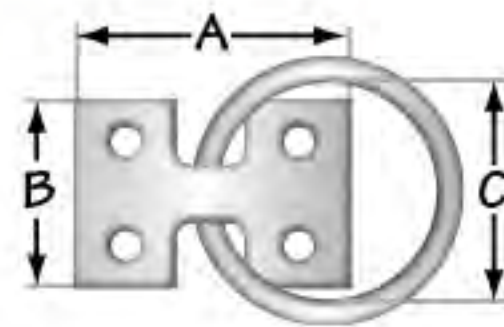


DOCK MOORING RINGS

Galvanized construction. Mooring ring attaches to docks for faster, more convenient mooring. 2" x 5/16" and 2" x 1/4" Diameter Ring.

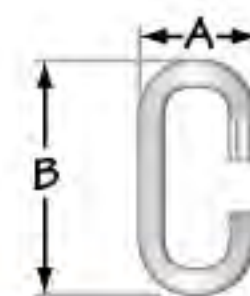


Model Number	Part Number	Description	Product Dimensions
SL52149	5579-0389	Dock Mooring Ring 2"-1/4" - Galv	A: 2.93" B: 1.65" C: 2"
SL91581	5709-0307	Dock Mooring Ring 2"-5/16" Galv	A: 2" B: 2.64" C: 1.8" D: 3.96"



QUICK LINKS

Made from stainless steel and plated steel. For use with anchor, trailer, safety and other chains. Available in stainless and plated steel.



Model Number	Part Number	Description	Product Dimensions
SL52190	5709-0237	Quick Link 3/16" Plated	A: 0.95" B: 1.95"
SL52192	5709-0239	Quick Link 1/4" Plated	A: 1.1" B: 2.27"
SL52193	5709-0241	Quick Link 5/16" Plated	A: 1.38" B: 2.95"
SL52188	5709-0243	Quick Link 1/4" Stainless Steel	A: 1.1" B: 2.27"
SL52189	5709-0245	Quick Link 5/16" Stainless Steel	A: 1.38" B: 2.95"
SL91791	5709-0247	Quick Link 3/16" Stainless Steel	A: 0.95" B: 1.95"



SAFETY SPRING HOOK

Spring loaded safety snap made from plated steel or stainless steel. Designed with an interlocking tongue for a safe and secure connection. Capacity shown in safe working load. Stainless steel and zinc plated construction.



Stainless Steel and Zinc Plated Construction

Model Number	Part Number	Description	Capacity	Product Dimensions
SL52151	5709-0251	Safety Spring Hook 2-3/8" - SS	140 lbs	A: 2.38" B: 0.35" C: 1.16" D: 0.32"
SL52152	5709-0249	Safety Spring Hook 3-1/8" - SS	200 lbs	A: 3.13" B: 0.62" C: 1.95" D: 0.60"
SL52153	5579-0393	Safety Spring Hook 3-15/16" - SS	400 lbs	A: 3.94" B: 0.62" C: 1.95" D: 0.60"
SL52156	5579-0388	Safety Spring Hook 3-1/8" - Plated	300 lbs	A: 3.13" B: 0.43" C: 1.56" D: 0.45"



168 PIECE STAINLESS STEEL KIT

Assortment kit includes stainless steel machine screws, finishing washers & hex nuts stored in a convenient snap lock case. Ideal for repair and installation of marine accessories.



Model Number	Part Number	Description
SL52164	5709-0271	Screw Kit SS 168 Pc

47 PIECE CANVAS FASTENER KIT

47 pc. assorted canvas fastener kit with convenient snap lock case. For major or minor repair of canvas covers, tarps, boat covers, sail covers or any heavy fabric. Contains 1 Stainless steel snap tool and die set, 6 stud wood screws, 10 brass caps, 10 brass eye sockets, 10 eyelets and 10 studs.



Model Number	Part Number	Description
SL91647	5709-0267	Canvas Fastener Kit 47 Pcs

73 PIECE CANVAS FASTENER KIT

Assorted canvas fastener kit with convenient snap lock case. For major or minor repair of canvas covers, tarps, boat covers, sail covers or any heavy fabric. Contains 1 canvas snap pliers, 12 stud wood screws, 15 brass caps, 15 brass eye sockets, 15 eyelets and 15 studs.



Includes Canvas Snap Pliers

Model Number	Part Number	Description
SL91234	5709-0269	Canvas 73 Pc Fastener Kit w/Tool

STAINLESS STEEL EYE STRAP

Constructed from 304 stainless steel. Great for kayaks, canoes, bimini tops and many other applications. Comes in 5/16" diameter 1-7/8" length with pre-drilled mounting holes. 2 pack.



Model Number	Part Number	Description
SL52147	5709-0265	Eye Strap SS 2-Pack

COVERED PADLOCK WITH CAP

1-1/2" Marine grade padlock with weatherproof cap for outdoor use. Includes two keys.



Model Number	Part Number	Description
SL52170	5709-0273	Padlock Covered with Cap

BRASS PADLOCK

Solid brass body with hardened steel shackle. Includes two keys.



Model Number	Part Number	Description
SL52168	5709-0275	Padlock 1-1/4" Brass
SL52169	5709-0277	Padlock 1-1/2" Brass

OUTBOARD MOTOR LOCK

Easily secure your outboard motor to your transom to prevent theft and motor loss. Works on most outboards up to 40HP with wing type mounting screws.



Model Number	Part Number	Description
SL52166	5709-0261	Lock Outboard 1-1/2" Black





SEAT POSTS

Brushed aluminum 11" seat extension post. Uses 3/4" Pin-type mounting and tight fit nylon bushing for stability. Non-threaded pin.



360°

Model Number	Part Number	Description
SL52196	5709-0279	Seat Post 11"

ADJUSTABLE SEAT POST

Brushed aluminum adjustable seat post. Adjusts from 25" to 31". Uses 3/4" pin-type mounting and tight fit nylon bushing for stability. Non-threaded pin.



360°

Model Number	Part Number	Description
SL52197	5709-0281	Seat Post Adjustable 25" - 31"

FLAT SEAT SWIVEL

Black powder coated 7" x 7" flat seat swivel. Designed with 360° swivel and nylon bearing for long life and smooth operation. For use with or without seat pedestals.



360°

Model Number	Part Number	Description
SL91128	5709-0290	Seat Swivel Stamped Black

SEAT BRACKET - CLAMP ON

Adjustable clamp on style seat bracket. Includes 7" x 7" swivel seat mount and installation hardware. Great for Jon boats and canoes. Comes with vinyl coated clamps, and adjusts from 7" to 20".



• Fits Most Standard 7 in (17.6 cm) x 7 in (17.6 cm) Seat Mounts

360°

Model Number	Part Number	Description
SL91388	5709-0288	Seat Bracket Jon Boat W/Swivel

SEAT PEDESTALS

Black powder coated seat pedestal. Uses 7" X 7" standard mounting platform. Available in 7" and 13" heights. Also for use with a flat seat swivel.



Model Number	Part Number	Description
SL91289	5709-0292	Seat Pedestal 7" Stamped Blk
SL91142	5709-0294	Seat Pedestal 13" Stamped Blk

ADJUSTABLE SEAT PEDESTAL

Black powder coated adjustable seat pedestal. Uses 7" X 7" standard mounting platform for stability. Adjusts from 11.5" to 17.5" with an easy to use pull pin. Can be used with a flat seat swivel.



Model Number	Part Number	Description
SL91302	5709-0296	Seat Pedestal Adj Stamped Blk



STAINLESS STEEL SEAT BASE

Heavy duty 7" x 7" stainless steel seat base with 3/4" Pin-type receptacle. Uses 3/4" Pin-type mounting and tight fit nylon bushing for stability.



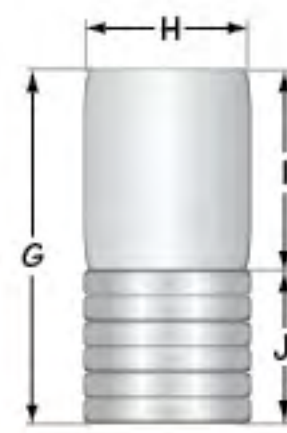
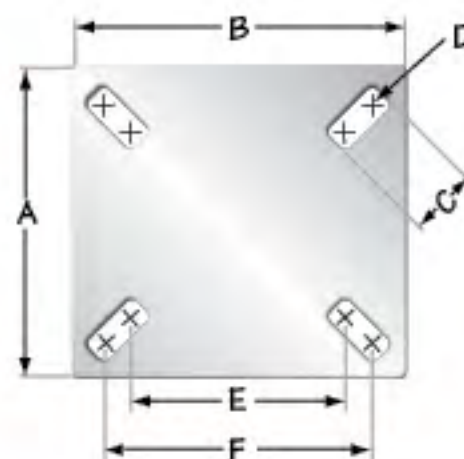
Model Number	Part Number	Description
SL52199	5709-0283	Seat Base Brushed Finish SS

SEAT MOUNT

Tough zinc plated 7" X 7" seat mount uses 3/4" pin-type mounting and tight fit nylon bushing for stability. Non-Threaded Pin.

- Zinc plated steel
- Heavy duty
- 3/4" (19mm) pin

360°



Model Number	Part Number	Description	Product Dimensions
SL52198	5709-0286	Zinc Plated Seat Mount	A: 7" B: 7" C: 1" D: 0.3" E: 4.83" F: 5.73" G: 4.66" H: 0.75" I: 2.92" J: 1.74"



INSTALLATION ASSISTANCE?



Scan the QR Code to watch Captain Weekend demonstrate how to properly install a boat seat.





LEARNIN' THE ROPES

POLYPROPYLENE, POLYESTER, NYLON? WHAT ARE THESE MATERIALS AND WHAT ARE THE DIFFERENCES BETWEEN THEM?

DOCKLINES / FENDER LINES

• Nylon 3-Strand • Nylon Double Braid • (MFP multi-filament polypropylene) Solid Braid

ANCHOR LINES

• Nylon 3-Strand • Nylon Solid Braid • PP Hollow Braid • (MFP multi-filament polypropylene) Solid Braid

UTILITY

• Nylon Solid Braid • PP Hollow Braid • (MFP multi-filament polypropylene) Solid Braid



NYLON

For most docking and anchor lines, standard nylon is a good choice. It has great strength, "gives" under load to absorb energy, and is relatively inexpensive. It's also easy to handle and resists the harmful effects of sunlight better than other synthetics. It's the rope of choice for anchoring rode.

DOCK LINES / ANCHOR LINES / GENERAL USE

- Durable / Long Lasting
- Stretchability
- Stores Wet
- Mildew Resistant
- UV Resistant
- Good Against abrasion
- Stronger than Polypropylene



POLYPROPYLENE

Most people know this as "that yellow rope" that's commonly used to tow skiers, wake boards and dinghies. Because polypropylene rope floats, it's handy to have around for multiple purposes such as these. Made of synthetic fibers, polypropylene is almost as strong as nylon but is considerably less resistant to the sun's UV rays. MFP = multi-filament polypropylene.

DOCK LINES / SKI ROPES / ANCHOR LINES / GENERAL USE / CAMPING

- Floats
- Stretches Very Little
- High Strength %
- Lower Cost than Nylon
- Resists wetting
- No loss of strength in water



POLYESTER

Polyester is widely used for boat lines and for sail material because it combines good strength and durability, relatively low stretch and reasonable prices. Polyester rope is very close to nylon in strength when a steady force is applied. Polyester stretches very little and therefore cannot absorb shock loads as well. It is also as equally resistant to moisture and chemicals as nylon, but is superior in resistance to abrasion and sunlight.

SAIL BOAT RIGGING / FENDER LINES / GENERAL USE / CAMPING

- Floats
- Dries Fast
- Less UV Resistant
- Stores Wet
- Stretches Very Little
- Less Strength %
- Lowest Cost

TYING A CLEAT HITCH

The cleat hitch is the perfect knot for securing your boat to the dock while the tow vehicle is being parked, fueling up at a dock, or visiting a waterfront restaurant.



STEP 1

Wrap the dock line first around the farther cleat horn, then around the closer horn, before crossing over the cleat and beginning the figure 8.



STEP 2

After making the first cross of the cleat with the line and going around the horn, a second time in a figure-8, make a half-hitch (or just flip the line) so the cleat is crossed again.



STEP 3

Tighten as shown. The working end of the line (right) comes away from the cleat in the opposite direction from which it began.



STEP 4

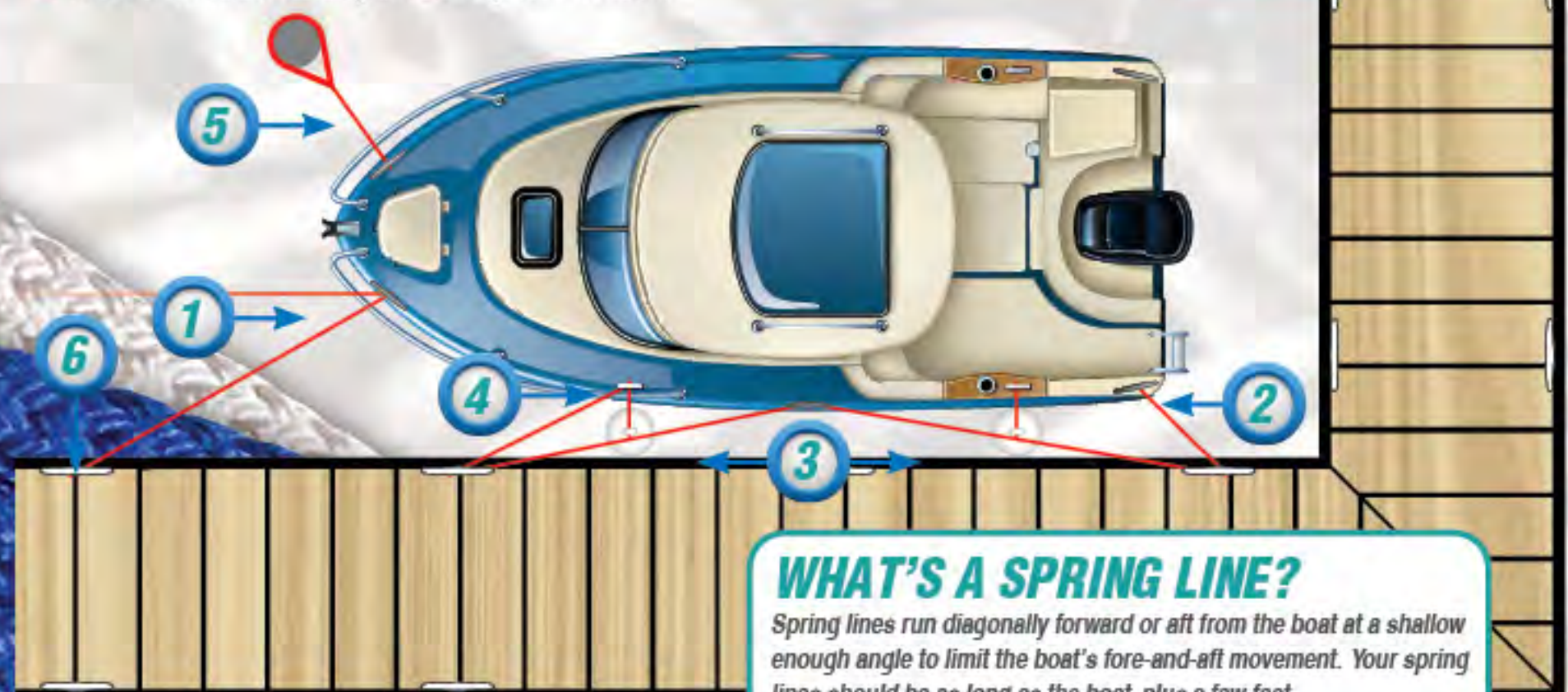
Any remaining length of line should be "flemished" so that it won't trip anyone walking on the dock or tangle when leaving the dock.

TYING UP AT THE DOCK

The diagram below shows four lines used. Although the stern line will keep the boat from moving forward too much, to be safe a fourth spring line running from the dock cleat forward could be used.

- 1 Use a Single or Double Bow Line depending on the type of dock to secure your bow.
- 2 Use a Stern Line to secure the stern.
- 3 Use at least one Spring Line to reduce fore-and-aft movement.
- 4 Use Fender Ties to tie your fenders to your boat cleats.
- 5 Use Dock Lines when tying up along side a dock or pier.
- 6 Dock Cleats are used to secure your lines from your boat to the dock.

NEVER APPROACH THE PIER ANY FASTER THAN YOU'RE WILLING TO HIT IT!



WHAT'S A SPRING LINE?

Spring lines run diagonally forward or aft from the boat at a shallow enough angle to limit the boat's fore-and-aft movement. Your spring lines should be as long as the boat, plus a few feet.



DOCK LINE - DOUBLE BRAIDED NYLON, POLY

A premium double braided line for strength and flexibility. A braided jacket, over braided inner rope core. Professional 12" eye splice for long lasting use. Resists rot, mildew and is easy to handle because it will not kink or rotate under a heavy load. It can store wet or dry and is shock absorbing.

NYLON

Model Number	Part Number	Description
SL91203	5709-0438	Dock Line 3/8" x 15' Double Braid Nylon - White
SL91319	5709-0441	Dock Line 3/8" x 15' Double Braid Nylon - Gold/White
SL75827	5709-0460	Dock Line 3/8" x 15' Double Braid Nylon - Blue
SL53714	5709-0456	Dock Line 3/8" x 15' Double Braid Nylon - Black
SL53713	5709-0455	Dock Line 3/8" x 20' Double Braid Nylon - White
SL75828	5709-0461	Dock Line 3/8" x 20' Double Braid Nylon - Blue
SL75829	5709-0462	Dock Line 3/8" x 20' Double Braid Nylon - Black
SL91401	5709-0443	Dock Line 3/8" x 20' Double Braid Nylon - Gold/White
SL75824	5709-0457	Dock Line 3/8" x 25' Double Braid Nylon - Gold/White
SL52873	5709-0582	Dock Line 3/8" x 25' Double Braid Nylon - Black
SL75830	5709-0463	Dock Line 1/2" x 15' Double Braid Nylon - Blue
SL75831	5709-0464	Dock Line 1/2" x 15' Double Braid Nylon - Black
SL75825	5709-0458	Dock Line 1/2" x 15' Double Braid Nylon - Gold/White
SL75832	5709-0465	Dock Line 1/2" x 20' Double Braid Nylon - Blue
SL75833	5709-0466	Dock Line 1/2" x 20' Double Braid Nylon - Black
SL75826	5709-0459	Dock Line 1/2" x 25' Double Braid Nylon - Gold/White

POLYESTER

Model Number	Part Number	Description
SL91632	5709-0469	Dock Line 3/8" x 15' Double Braid Polyester - Neon Yellow
SL91635	5709-0470	Dock Line 3/8" x 15' Double Braid Polyester - Neon Green
SL91638	5709-0472	Dock Line 3/8" x 15' Double Braid Polyester - Neon Orange
SL91639	5709-0473	Dock Line 3/8" x 20' Double Braid Polyester - Neon Orange
SL91637	5709-0471	Dock Line 1/2" x 15' Double Braid Polyester - Neon Green
SL91640	5709-0474	Dock Line 1/2" x 15' Double Braid Polyester - Neon Orange



DOCK LINE - TWISTED NYLON

Three strand twisted nylon. Designed to absorb shock in moving waters, reliable and resists mildew and rot. 12" Eye splice. Can be stored wet or dry.

Model Number	Part Number	Description
SL91333	5709-0442	Dock Line 3/8" x 10' 3 Strand Twist Nylon - White
SL91043	5709-0433	Dock Line 3/8" x 15' 3 Strand Twist Nylon - White
SL91036	5709-0432	Dock Line 3/8" x 20' 3-Strand Twist Nylon - White
SL91630	5709-0450	Dock Line 3/8" x 25' 3-Strand Twist Nylon - White
SL52827	5709-0581	Dock Line 1/2" x 15' 3-Strand Twist Nylon - White
SL91616	5709-0449	Dock Line 1/2" x 20' 3-Strand Twist Nylon - White
SL91098	5709-0436	Dock Line 1/2" x 25' 3-Strand Twist Nylon - White



DOCK LINE - MFP - SOLID BRAID

Multi-filament polypropylene, strong fibers with a machine splice for durability. This Line floats on water and features a durable braided construction. Can be stored wet or dry and is resistant to mildew and rot.

Model Number	Part Number	Description
SL91593	5709-0448	Solid Braid Dock Line, 3/8" x 15' MFP - Blue
SL91166	5709-0437	Solid Braid Dock Line 3/8" x 15' MFP - Black



STRETCH DOCK LINE

Run the stretch dock line from boat to boat and let the stretch cord absorb the shock that would normally cause damage to your boat. High quality, durable construction. Stretches 5 to 7 feet with a slide adjuster on each end. Protects boats, cleats, pylons and ropes.

Model Number	Part Number	Description	SHOCK ABSORBING BUILT-IN ELASTIC
SL92569	5709-0376	Stretch Dock Line 5' Multi Color	





CORDAGE ANCHOR LINE



ANCHOR LINE - POLYPROPYLENE

Our most economical anchor line, great for smaller boats. Aluminum snap hook for easy anchor attachment. The Line floats on water. Resistant to rot and can be stored wet.



Model Number	Part Number	Description
SL91227	5709-0439	Anchor Line 1/4" x 50' Hollow Braid Polypropylene - White/Red
SL40106	5709-0475	Anchor Line 1/4" x 50' Hollow Braid Polypropylene - Yellow
SL91678	5709-0451	Anchor Line 1/4" x 100' Hollow Braid Polypropylene - White/Blue
SL40116	5709-0476	Anchor Line 1/4" x 100' Hollow Braid Polypropylene - Yellow
SL91074	5709-0435	Anchor Line 3/8" x 100' Hollow Braid Polypropylene - White



ANCHOR LINE - 3 STRAND TWISTED NYLON

Tough three strand twisted nylon construction. Nylon anchor thimble for quick anchor attachment. Designed to absorb shock in moving waters. Reliable and resists mildew and rot.



Model Number	Part Number	Description
SL91005	5709-0430	Anchor Line 3/8" x 100' 3-Strand Twist Nylon - White
SL91012	5709-0431	Anchor Line 3/8" x 50' 3-Strand Twist Nylon - White



ANCHOR LINE - SOLID BRAID NYLON

Solid braid has a smooth round firm contour that holds its shape under pressure. Excellent for pulleys or winches.



Model Number	Part Number	Description
SL91067	5709-0434	Anchor Line 3/16" x 75' Solid Braid Nylon - White



FENDER LINE - DOUBLE BRAID NYLON

Double braid offers an excellent combination of minimal stretch with exceptional shock load reduction. These fender lines are made of 1/4" thick double braided nylon. Easily adjust your fender height depending on the docking conditions. UV protected. Heat sealed ends. 2 Pack.

Model Number	Part Number	Description
SL40122	5709-0478	Fender Line 1/4" x 15' Double Braid Nylon - White - 2 Pack



FENDER LINE - SOLID BRAID MFP

The fender lines are made of 3/8" thick braided MFP. There are two fender lines to a pack and they are six feet in length, so that you can easily adjust your fender height depending on the docking conditions.

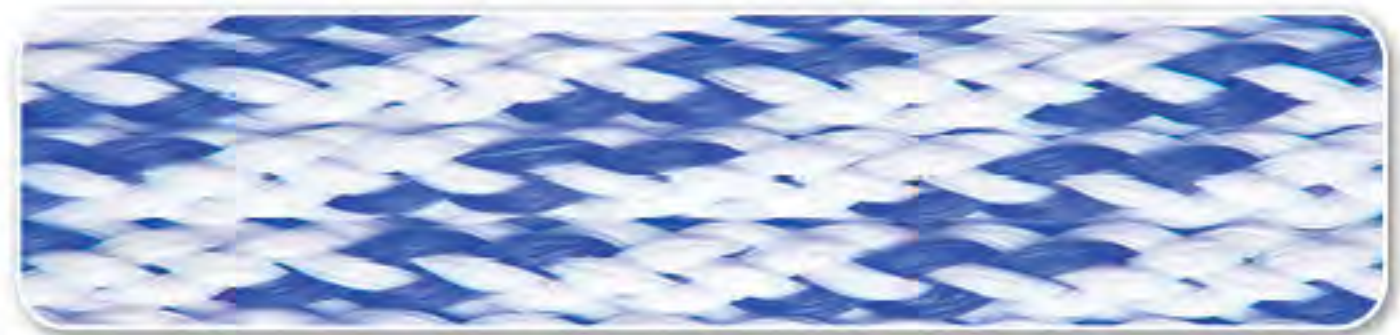
Model Number	Part Number	Description
SL91582	5709-0453	Fender Line 3/8" x 6' MFP Solid Braid - White - 2 Pack



MULTI-PURPOSE LINE - MFP

Multi-filament polypropylene line floats. Double braided construction for strength and flexibility. Stores wet or dry and is resistant to mildew and rot. The camouflage line is great for duck boats & hunting.

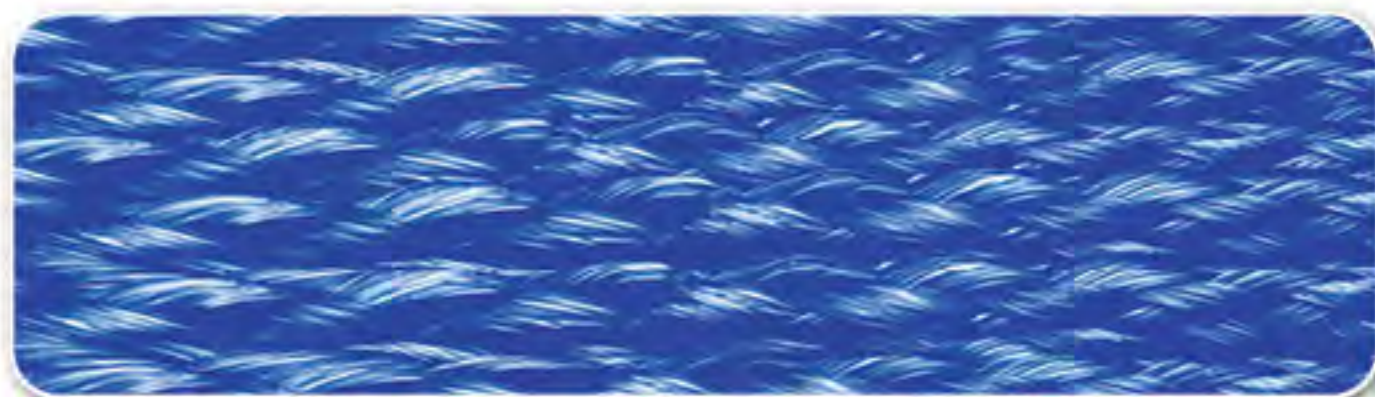
Model Number	Part Number	Description
SL91524	5709-0447	Multi Line 1/8" x 45' MFP Double Braid - Neon Pink
SL40129	5709-0479	Multi Line 1/4" x 50' MFP Double Braid - White
SL59177	5709-0452	Multi Line 3/8" x 25' MFP Double Braid - Camo
SL40138	5709-0481	Multi Line 3/8" x 50' MFP Double Braid - Blue/White



MULTI-PURPOSE LINE - POLYPROPYLENE

Our most economical line. Perfect for smaller boat applications. Polypropylene Line floats on water. Resistant to rot and can be stored wet.

Model Number	Part Number	Description
SL91494	5709-0446	Multi Line 1/4" x 40' HB Polypro - Blue
SL65088	5709-0454	Multi Line 1/4" x 100' HB Polypro - Yellow



MULTI-PURPOSE LINE - SOLID BRAID NYLON

Multi strands of nylon lock stitched together in diamond pattern. Solid braid has a smooth round firm contour that holds its shape under pressure. Excellent for pulleys or winches.

Model Number	Part Number	Description
SL91487	5709-0445	Multi Line 3/16" x 50' Solid Braid Nylon - White
SL91463	5709-0444	Multi Line 1/4" x 100' Solid Braid Nylon - White



NYLON CAMPING CORD

Multi strands of nylon lock stitched together in diamond pattern. Solid braid has a smooth round firm contour that holds its shape under pressure. Excellent for pulleys or winches.

Model Number	Part Number	Description
SL91258	5709-0440	Camping Cord Solid Braid Nylon 1/8" x 45' - White





BETTER SAFE THAN SORRY

NO MATTER HOW MUCH EXPERIENCE YOU HAVE, IT'S ALWAYS A GOOD IDEA FOR EVERYONE TO REVIEW THE BOATING SAFETY RULES BEFORE DEPARTURE.

FOLLOW THESE BASIC SAFETY STEPS FOR A SAFE TIME ON THE WATER:

1

BE WEATHER-WISE

Always check local weather conditions before departure; TV and radio forecasts can be a good source of information. If you notice darkening clouds, volatile and rough changing winds or sudden drops in temperature, play it safe by getting off the water.

2

FOLLOW A PRE-DEPARTURE CHECKLIST

Proper boating safety includes being prepared for any possibility on the water. Following a pre-departure checklist is the best way to make sure no boating safety rules or precautions have been overlooked or forgotten.

3

USE COMMON SENSE

This means operating at a safe speed at all times (especially in crowded areas), staying alert at all times and steering clear of large vessels and watercraft that can be restricted in their ability to stop or turn. Also, be respectful of buoys and other navigational aids, all of which have been placed there to ensure your own safety.

4

DESIGNATE AN ASSISTANT SKIPPER

Make sure more than one person on board is familiar with all aspects of your boat's handling, operations, and general boating safety. If the primary navigator is injured or incapacitated in any way, it's important to make sure someone else can follow the proper boating safety rules to get everyone else back to shore.





S.O.S. SHORELINE ON SAFETY

Before any excursion on the water it is important to make sure you have a pre-departure checklist on hand. Below is a checklist that will help you make sure you have the proper items onboard incase of an emergency.



- Manual Bailing Method (Hand Pump or Bucket)
- Proper Bilge Pump Operation
- Boat Registration/Documentation
- Proper Display of Numbers
- Visual Distress Signals (VDS - Distress Flag, Flares, Ect.)
- Sound Producing Devices - (Whistle, Horn, Ect.)
- Personal Floatation Devices (PFDs - Life Jackets, Throw Cushion)
- Check Your Fuel Level and Drain Plug
- Alternate Propulsion Device - (Paddle)
- Anchor and Anchor Line
- Fire Extinguisher
- Operational Navigation Lights

5

DEVELOP A FLOAT PLAN

Whether you choose to inform a family member or staff at your local marina, always be sure to let someone else know your float plan. This should include where you're going and how long you're going to be gone. A float plan can include the following information:

- Types of communication and signal equipment onboard, such as an Emergency Position Indicating Radio Beacon (EPIRB) or Personal Locator Beacon (PLB)
- Name, address, and phone number of trip leader
- Name and phone number of all passengers
- Boat type and registration information
- Trip itinerary and course

6

TAKE A BOATING COURSE

Beginning boaters and experienced experts alike need to be familiar with the boating safety rules of operation. Boater education requirements vary by state; however, some require validated completion of at least one boating safety course.

Take advantage of a free vessel safety check from the US Coast Guard. They offer complimentary boat examinations to verify the presence and condition of certain safety equipment required by state and federal regulations.

7

MAKE PROPER USE OF LIFEJACKETS

The majority of drowning victims are the result of boaters not wearing their life jackets. Make sure that your family and friends aren't part of this statistic by assigning and fitting each member of your onboard team with a life jacket prior to departure.

8

LEARN TO SWIM

If you're going to be in and around the water, proper boating safety includes knowing how to swim.



RE-USABLE AIR HORN PUMP

Reusable air horn uses no chemicals. Horn screws onto one end with pump handle on the other. Simply pull and push the handle for loud 120 decibel blasts. Audible for up to 1 mile. Meets USCG specifications.

Model Number	Part Number	Description
SL57223	5709-0500	Re-Usable Air Horn Pump

AIR HORNS

Made for emergency signaling purposes, these air horns are also popular for sporting events and celebrations. 120 decibel sound is audible up to 1 mile away. Meets USCG specifications. Available in 3 different sizes as well as an 8 oz. replacement canister.

Model Number	Part Number	Description
SL55514	5709-0514	Air Horn Mini Eco 1.4 oz
SL55535	5709-0509	Air Horn Small Eco 3.5 oz
SL55580	5709-0512	Air Horn Large Eco 8 oz
SL55581	5709-0507	Air Horn Canister Large Eco 8 oz





SAFETY SAFETY EQUIPMENT

DRY STORAGE BOX



Perfect for keeping your valuables dry. Water resistant O-ring seal. Comfortable oversize handle. Top access storage. Also great storage for tools or small electronics.

Model Number	Part Number	Description
SL52398	5692-0466	Shoreline Dry Box

DIVE FLAG

Stay safe while diving. Dive flag measures 20" x 24".



Model Number	Part Number	Description
SL52115	5709-0019	Dive Flag 20" X 24"

MARKER BUOY



5" marker buoy with alternating red and white coloration for visibility. Great for marking lines and specific areas. Perfect for marker buoys, ski ropes, anchor lines and crab traps.

Model Number	Part Number	Description
SL52113	5579-0021	Marker Buoy Red and White 5"

DIVE FLAG & BUOY KIT



These rugged diver down flags are required by law in many states and recommended everywhere. Three grommets and a sleeve for poles provide lots of attachment options. A vinyl-coated stiffener keeps the flag open and visible in still conditions. Includes flag, buoy, pole with weighted bottom and 15'ft. tow line.

- 12"inch x 15"inch Dive Flag
- 15'ft. Tow Line

Model Number	Part Number	Description
SL52400	5709-0311	Buoy Dive Flag, Float Kit

DISTRESS FLAG

Distress flag measures 3' x 3'. Meets USCG requirements for daytime distress signal.



Model Number	Part Number	Description
SL52401	5709-0022	S.O.S. Distress Flag

SKIER DOWN FLAG

12" x 12" Ski flag made of durable 420 Denier nylon. Attached to a 24" pole.



Model Number	Part Number	Description
SL52127	5709-0025	Water Ski Flag

TELESCOPING FLAG POLE

26 in (66 cm) - 48 in (122 cm) Adjustment, Compact Storage, Use with Any Flag.



Model Number	Part Number	Description
SL52114	5709-0187	Flag Pole Extendable 26" - 48"

SAFETY WHISTLES

Pea-less whistle with lanyard. Orange ABS plastic. Meets USCG specifications.



Model Number	Part Number	Description
SL52283	5709-0006	Safety Whistle
SL52284R	5709-0010	Safety Whistle PDQ - 12 Pcs - Refill
SL52285	5709-0016	Safety Whistle Flat





KEY FLOATS

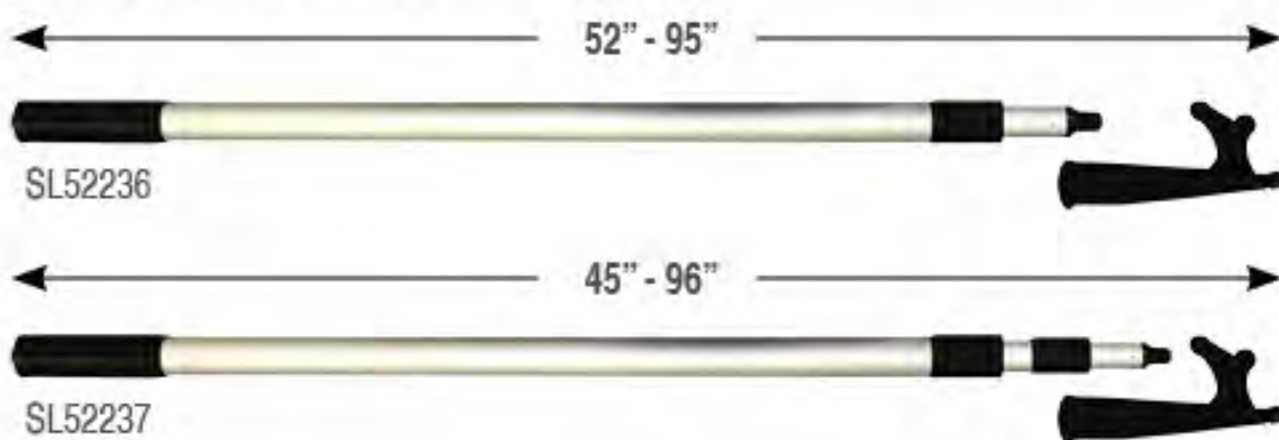
Highly visible floating key chain is made of durable soft foam with stainless steel chain. Helps to prevent key loss. Also available in assorted colors with screw on top dry storage compartment.



Model Number	Part Number	Description
SL52120	5709-0001	Key Float Soft Foam
SL52122	5709-0004	Key Float 2-Piece
SL52119	5709-0033	Key Float Foam Shoreline PDQ
SL91887	5709-0005	Key Float Multi-Pack PDQ

TELESCOPIC BOAT HOOKS

Easy-locking, corrosion-resistant boat hook. High-impact construction. Outside diameter: 1-1/16".



Model Number	Part Number	Description
SL52236	5579-0401	Boat Hook Tele 52" - 95" 2-PC
SL52237	5709-0036	Boat Hook Tele 45" - 96" 3-PC

PWC LETTER AND NUMBER KITS

Marine Grade Vinyl, Resistant To Chemicals, Fading And Scratches, 4 of Each Plus 16 Dashes.



Model Number	Part Number	Description
SL52128	5709-0042	PWC 3" Letter & Number Kit - Hot Colors
SL52129	5579-0023	PWC 3" Letter & Number Kit - Black
SL52130	5709-0039	PWC 3" Letter & Number Kit - White
SL91572	5709-0045	PWC 3" Letter & Number Kit - Carbon/Black

ILLUMINATED MARINE COMPASS

Zero Spin. Pivot assembly is jeweled. Lighted for night use. 12V. UV Protected. A must for every boater.



12V

Model Number	Part Number	Description
SL52280	5709-0030	Compass Large Black

NON SKID TAPE

2" wide and 10' foot length. This nonskid material with self-adhesive backing is easy to apply and can be cut to any desired length. It's great for the boat, trailer, ladders and dock use. Available in Black and White.



Model Number	Part Number	Description
SL76655	5709-0313	Non-Skid Tape 2"x10" Black
SL76656	5709-0029	Non-Skid Tape 2"x10" White

MULTIPURPOSE UTILITY LIGHT

Lightweight, portable, two light modes (strobe/solid), attach to paddles, fishing rods, T-tops, rails, backpacks, bicycles, and many other applications.



Model Number	Part Number	Description
SL50007	5709-0309	Multi-funton Silicone LED



CLEAN SMARTER, NOT HARDER

WHEN IT COMES TO CLEANING YOUR BOAT, EQUIP YOURSELF WITH THE RIGHT PRODUCTS AND CLEAN YOUR BOAT REGULARLY AND EFFICIENTLY.

SPEND MORE TIME CRUSIN' & FISHIN', AND LESS TIME SCRUBBIN' & CLEANIN' WITH THESE SHORELINE MARINE CLEANING AND FUEL TREATMENT PRODUCTS



FIBERGLASS HULL CLEANER & STAIN REMOVER

- Instantly removes waterline stains, exhaust stains, rust stains, red wine stains and other fiberglass hull contaminants.
- Simple wipe on rinse off formula for effortless hull cleaning.
- Biodegradable Formula.

Model Number	Part Number	Description
SLC10009	5709-0564	Shoreline Marine Fiberglass Hull Cleaner, 64 oz



PONTOON CLEANER & ALUMINUM BRIGHTENER

- Returns soiled or oxidized unpainted aluminum pontoon hulls to a clean bright finish.
- Quickly removes waterline stains, algae, oxidation, lime & scale deposits.
- Quickly cleans and rinses away freely and requires no scrubbing.
- Product may be diluted with water for lighter duty cleaning of unsealed metal finishes.
- Biodegradable Formula.

Model Number	Part Number	Description
SLC10007	5709-0557	Shoreline Marine Aluminum Pontoon Cleaner & Brightener, 64 oz



BOAT WASH CONCENTRATE

- Made for cleaning all boat exterior surfaces safely and effectively.
- Wax-free formula. (Will not affect Teak or Wood finishes.)
- Removes grease, dirt, bird droppings, salt residue and more.
- Safe for paint, fiberglass, rubber, plastic, glass, chrome and metal finishes.
- Biodegradable Environmentally Friendly Formula.

Model Number	Part Number	Description
SLC10017	5709-0569	Shoreline Marine Boat Wash Concentrate, 64 oz



MILDEW CLEANER & STAIN REMOVER

- Spray-on, wipe-off heavy duty formula.
- Makes mold and mildew removal quick and easy.
- Removes dirt, mold and mildew stains on contact.
- Requires no scrubbing.
- Great for use on vinyl boat covers, cushions, tarps, awnings and more.
- Biodegradable Environmentally Friendly Formula.

WARNING: Contains Bleach! Do not use on dyed fabrics.

Model Number	Part Number	Description
SLC10001	5709-0554	Shoreline Marine Mildew Cleaner, Spray Bottle, 32 oz



WASH & WAX

- High foaming formula with superior cleaning and rinsing properties.
- Minimizes streaking and spotting on cleaned surfaces.
- Contains no harsh builders or phosphates.
- Will not harm any known finishes including fragile clear coat.
- Leaves surface with a bright, just waxed shine after rinsing.
- Inhibited to prevent corrosion of aluminum and marine hardware.
- Biodegradable Environmentally Friendly Formula.

Model Number	Part Number	Description
SLC10003	5709-0555	Shoreline Marine Mildew Cleaner, Spray Bottle, 32 oz



ALL PURPOSE CLEANER

- Safely and effectively removes grease, oil, glue, blood, soap scum, ink, bird droppings, spider droppings, scuff marks, pet stains, dust, pollen, sea salt residue and more.
- Ideal for cleaning plastics, rubber, metal, fiberglass, aluminum, stainless steel, coolers and marine bilges.
- Leaves surfaces clean and restores optimum brilliance.
- Biodegradable Environmentally Friendly Formula.

Model Number	Part Number	Description
SLC10005	5709-0556	Shoreline Marine All Purpose Cleaner, Spray Bottle, 32 oz



VINYL & PLASTIC CLEANER / DRESSING

- One step formula for the cleaning, restoration and protection of vinyl, rubber, plastics, and leather.
- Leaves a transparent, non-slippery and water repellent gloss coating that enhances and restores surfaces.
- Premium UV protection to prevent drying and cracking.
- Biodegradable Environmentally Friendly Formula.

Model Number	Part Number	Description
SLC10011	5709-0565	Shoreline Marine Vinyl Cleaner and UV Protectant, Spray Bottle, 32 oz





CLEANING *CLEANING PRODUCTS*



WATERCRAFT CLEANING & DETAILING KIT

- Kit includes:
 - Wash & Wax 32oz Bottle (5709-0555 / SLC10003)
 - All Purpose Cleaner 32oz Bottle (5709-0556 / SLC10005)
 - Vinyl & Plastic Cleaner / Dressing 32oz Bottle (5709-0565 / SLC10011)
 - Mildew Cleaner & Stain Remover 32oz Bottle (5709-0554 / SLC10001)
 - Wash and Storage Bucket with Lid
 - Sponge

Model Number	Part Number	Description
SLCBK1	5709-0567	Shoreline Marine Watercraft Cleaning & Detailing kit



SCREEN CLEAN – ANTI-FOG CLEANER & UV PROTECTANT

- Great for Navigation Screens, Electronics, Computers, TV's, cellphones and Sunglasses.
- Removes salt, fingerprints and other contaminants from treated surfaces.
- Contains Anti-fog & UV Protectant.
- Contains no ammonia and will not damage optical glass coatings.
- Safe for use on all surfaces when used as directed.
- Biodegradable Environmentally Friendly Formula.

Model Number	Part Number	Description
SLC10013	5709-0566	Shoreline Marine Screen and Glass Anti Fog and Cleaner w/ PDQ, 4 oz



FOAM FLOOR & DECK CLEANER

- Specially formulated to keep foam boat flooring looking like new.
- Attacks tough stains such as grease, oil, blood and red wine.
- Lifts contaminants from the surface to be effortlessly rinsed away.
- Safe for all EVA foam, Polyethylene Foam, Vinyl & PVC Floors and Decks.
- Biodegradable Environmentally Friendly Formula.

Model Number	Part Number	Description
SLC10015	5709-0568	Shoreline Marine EVA Foam Floor Cleaner, Spray Bottle, 32 oz



MARINE MAT - UNIVERSAL ABSORBENT SHEETS

- Patented SUPERCORE Technology offers superior absorption.
- Leak-proof backing with absorbent lining binds and retains up to a quart of Liquid per sheet.
- Great for heavy duty leaks and spills.
- Absorbs oil, antifreeze/coolant, hydraulic fluid, brake fluid, fuel and other liquids.
- Creates a safer environment by reducing the risk of slips and falls.
- Light colored mat allows for quick leak detection and identification.
- One Marine Mat Absorbent sheet will absorb as much liquid as an entire roll of paper towels.

Model Number	Part Number	Description
SLC10019	5709-0570	Shoreline Marine Premium Universal Absorbent Mat 2 Pack



COMPLETE DIESEL FUEL TREATMENT

- Full Synthetic Formula EPA Registered Formula.
- Removes water from fuel and prevents algae growth.
- Prevents fuel gelling.
- Cleans and lubricates entire fuel system.
- Boosts Cetane and horsepower.
- Stabilizes fuel for over 3 years.
- 1 oz. treats up to 10 gallons of fuel.



Model Number	Part Number	Description
SLC12001	5709-0558	Shoreline Marine Diesel Fuel Treatment, 32 oz bottle
SLC12003	5709-0559	Shoreline Marine Diesel Fuel Treatment, 1 gallon

FUEL STABILIZER

- Full Synthetic EPA Registered Formula.
- Highest stabilization rating available in the industry of over 3 years.
- Treatment Rate: 1 oz. Per 7.5 Gallons of Fuel.
- Lubricates and cleans fuel system.



Model Number	Part Number	Description
SLC12011	5709-0560	Shoreline Marine Fuel Stabilizer w/ PDQ, 4 oz
SLC12013	5709-0561	Shoreline Marine Fuel Stabilizer, 16 oz

ETHANOL FUEL TREATMENT

- Full Synthetic EPA Registered Formula.
- Stops Ethanol and Non-Ethanol Fuel Problems
- Removes water from fuel.
- Stops ethanol phase separation.
- Cleans and lubricates entire fuel system.
- Replaces lost octane and increases horsepower.



Model Number	Part Number	Description
SLC12015	5709-0562	Shoreline Marine Ethanol Fuel Treatment w/ PDQ, 4 oz
SLC12017	5709-0563	Shoreline Marine Ethanol Fuel Treatment, 16 oz

OIL & FUEL ABSORBENT SHEETS

- Shoreline Marine Oil & Fuel absorbent sheet will not absorb water.
- Capture and Contain petroleum products such as oil, fuel and grease.
- Perfect for bilges, engine rooms, garages, and shops.



Model Number	Part Number	Description
SLC10021	5709-0571	Shoreline Marine Oil Absorbent mat 10 Pack

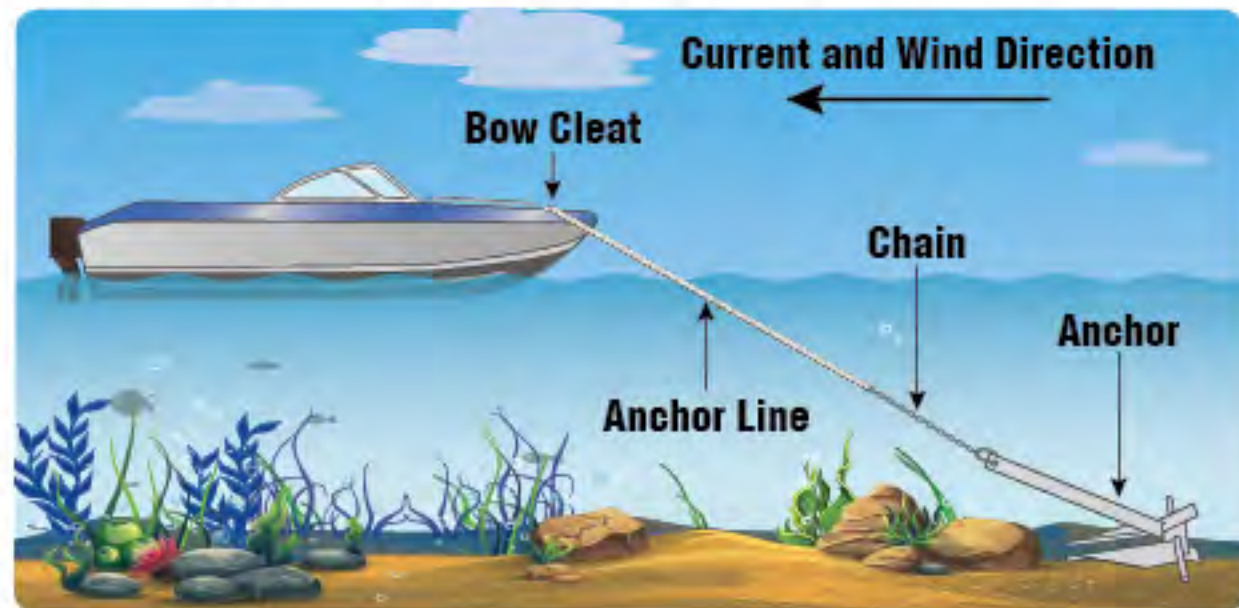


ANCHORS AWAY!



// HOW DO ANCHORS WORK?

When an anchor breaks the surface of the seabed, suction generates resistance, created by the bottom material plus the weight of the material above the anchor. As the boat pulls on the anchor rode, the anchor digs in deeper, creating additional resistance. In rocky or coral bottoms, anchors can't dig in, but rather snag on the surrounding environment and hold without certainty.



BOAT ANCHORING BASICS:

ALWAYS ANCHOR FROM THE BOW OF THE BOAT

- Make sure you have the proper type of anchor.
- Select an area that offers maximum shelter from wind, current and boat traffic.
- Determine depth of water and type of bottom (preferably sand or mud).
- Secure the anchor line to the bow cleat at the point you want it to stop.
- Bring the bow of the vessel into the wind or current.
- When you get to the spot you want to anchor, place the engine in neutral.
- When the boat comes to a stop, slowly lower the anchor. Do not throw the anchor over, as it will tend to entangle the anchor.
- When all the anchor line has been let out, back down on the anchor with the engine in idle reverse to help set the anchor.
- When the anchor is firmly set, use reference points in relation to the boat to make sure you are not drifting. Check these points frequently.

HOW MUCH ANCHOR LINE TO USE:

'Rode' is the combination of the anchor line and the anchor chain. A suitable length of anchor line should be attached to the end of the chain. The line will stretch under heavy strain, cushioning the impact of the waves or wind on the boat and the anchor.

A 3 to 6 foot length of galvanized chain should be attached to the anchor. The chain will stand up to the abrasion of sand, rock or mud on the bottom better than a fiber line.

'Scope' is a ratio of the length of an anchor rode from the bit to the anchor shackle and the depth of the water under the bow of the boat measured from deck height. As the scope increases, the horizontal pull on your anchor will also increase which can help the anchor to continue burying deeper into the bottom. As the scope decreases, the pull on the anchor will become more vertical, which in turn can potentially cause your boat to dislodge the anchor at the top of a wave or during high tide

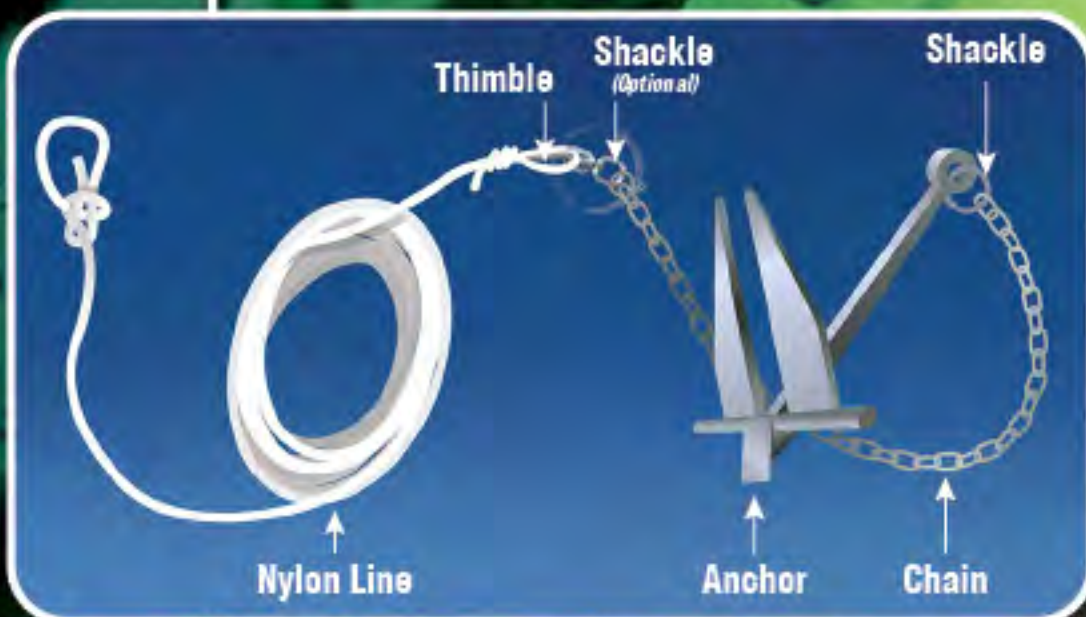
To calculate the scope, follow this general rule: Use 5 to 7 times as much anchor line as the depth of water, plus the distance from the water to where the anchor will attach to the bow. For example, if the water depth is 8 ft and it is 2 ft from the top of the water to your bow cleat, you would multiply 10 ft by 5 to 7 to get the amount of anchor line to put out.

// QUICK TIPS TO KEEP YOU SAFE AND SECURE

Inspect your ground tackle (entire anchor system) frequently for chafe, loose shackles, and bent flukes. The system is only as reliable as its weakest component.

Store at least one anchor so that it can always be used immediately. Quickly deploying even a small anchor can keep you from going further aground or drifting into other vessels or even shipping lanes.

Familiarize yourself with the type of bottom you are anchoring in to determine the correct anchor type.



STANDARD GROUND TACKLE SETUP

The whole system of gear including anchor, rode (line & chain), shackles, swivel, ect. is called **Ground Tackle**.

ANCHOR TIPS & FEATURES



Scan the QR Code to check out the Anchor Features and Tips video from Captain Weekend.





COMMON ANCHOR TYPES:



RIVER ANCHOR //
Designed specifically for areas of river current where there is heavy drift conditions. The 3 blades act with a grappling action. The cut outs allow for easier pull out than the mushroom.



NAVY ANCHOR //
Featuring two heavy weight flukes, many anglers swear by these. Not as common on fishing boats since they rely more on their weight for holding power. Pretty good in grassy bottom areas.



FLUKE ANCHOR //
Also called the Lightweight or Danforth, the fluke anchor provides very good holding power by burying itself into sea beds of sand or mud, but not so good in rocks, kelp, or hard bottoms. Its excellent holding power-to-weight ratio means you can use a lighter anchor compared to other types of anchors.



MUSHROOM ANCHOR //
Relies on its weight for holding power with a minimal amount of resistance because of the mushroom lip. Best on soft bottoms, and in light wind or current.



GRAPNEL ANCHOR //
Generally used for small boats such as kayaks, dinghies, canoes, etc. The folding compact design makes it easy to stow. Works great as a backup anchor as well.



SLIP RING ANCHOR //
The Slip-Ring Anchor is a traditional fluke anchor design, with the addition of a sliding ring for easy retrieval. The Anchor is retrieved by backing your boat directly over anchor, which allows the ring to slide to the crown and release the anchor from the opposite direction.

MUSHROOM ANCHOR KIT WITH LINE AND HOOK

- 10 lb Coated Mushroom Anchor
- Everything You Need to Anchor Up
- Includes 5/16" X 50' Polypropylene Anchor Line with Hook



Model Number	Part Number	Description
SL50910	5709-0300	10 lb Mushroom Anchor Kit

RIVER ANCHOR KIT WITH LINE AND HOOK

- 12 lb Coated River Anchor
- Everything You Need to Anchor Up
- Includes 5/16" X 50' Polypropylene Anchor Line with Hook



Model Number	Part Number	Description
SL50930	5709-0302	12 lb River Anchor Kit

VINYL COATED RIVER ANCHORS

Cast iron with mar resistant black vinyl coating. Designed for use in rivers and lakes. Excellent holding power in mud or weedy bottoms. Individually labeled.



Model Number	Part Number	Description
ARIVV12	0355-1201	Anchor River PE Coat 12 lb
ARIVV18	0355-1203	Anchor River PE Coat 18 lb
ARIVV30	0355-1204	Anchor River PE Coat 30 lb
ARIVV20	5709-0321	Anchor River PE Coat 20 lb

VINYL COATED MUSHROOM ANCHORS

Cast iron with mar resistant black vinyl coating. Designed for use in rivers and lakes. Excellent holding power in mud or weedy bottoms. Individually labeled.



Model Number	Part Number	Description
AMUSHV8	0355-1183	Anchor Mushroom PE Coat 8 lb
AMUSHV10	0355-1184	Anchor Mushroom PE Coat 10 lb
AMUSHV15	0355-1186	Anchor Mushroom PE Coat 15 lb
AMUSHV20	5709-0319	Anchor Mushroom PE Coat 20 lb

SLIP-RING ANCHORS

Corrosion resistant galvanized construction. Provides excellent holding power in all bottom conditions. Sliding slip ring allows for easy anchor retrieval. Individually labeled.



GALVANIZED

Model Number	Part Number	Description
ASLIPG4	0355-1192	Anchor Slip Ring Galv 3 lb
ASLIPG8	0355-1193	Anchor Slip Ring Galv 4 lb
ASLIPG11	0355-1194	Anchor Slip Ring Galv 5.1 lb

FLUKE ANCHORS

Penetrating fluke style anchors hold firmly in sand, mud, gravel and grassy bottoms. Excellent weight-to-holding-power ratios compared to cast anchors.



GALVANIZED

Model Number	Part Number	Description
AFLUKEG8	0355-1188	Anchor Fluke Galv 8 lb



MOORING ANCHORS



#7 & #10 SLIP-RING ANCHOR KITS

Two Galvanized 5/16" Anchor Shackles
Galvanized 1/4" x 4' Anchor Chain
Advanced Holding Power with Slip Ring
3-Strand Anchor Line with Anchor Thimble
Galvanized Corrosion Resistant

GALVANIZED

COMPLETE ANCHOR KIT

Model Number	Part Number	Description	Anchor	Line	Boat Size
SL91564	5709-0314	#7 Slip Ring Anchor Kit	5 lb	100% Nylon 3/8" x 50'	For Boats Up To 19'
SL50994	5709-0590	#10 Slip Ring Anchor Kit	6 lb	100% Nylon 3/8" x 100'	For Boats Up To 24'



#8 & #13 FLUKE ANCHOR KITS

Two galvanized 5/16" anchor shackles
Galvanized 5/16" x 6' Anchor Chain
Advanced Fluke Holding Power
3-Strand Anchor Line with Anchor Thimble
Galvanized Corrosion Resistant

GALVANIZED

COMPLETE ANCHOR KIT

Model Number	Part Number	Description	Anchor	Line	Boat Size
SL50986	5709-0588	#8 Fluke Anchor Kit	9 lb	100% Nylon 3/8" x 100'	For Boats Up To 24'
SL50988	5709-0589	#13 Fluke Anchor Kit	14 lb	100% Nylon 3/8" x 100'	For Boats Up To 30'





COATED NAVY ANCHORS

Cast Iron and mar resistant. Available in both painted and vinyl coating. Combines the Fluke principle with bulk and weight to provide boaters with excellent holding power-to-weight ratio. Individually labeled.

Model Number	Part Number	Description
ANAVYV10	0355-1179	Coated PE Anchor Navy 10 lb
ANAVYV15	0355-1181	Coated PE Anchor Navy 15 lb
ANAVYV20	0355-1182	Coated PE Anchor Navy 20 lb



GALVANIZED PYRAMID ANCHOR

Pyramid anchors provide excellent holding power in tidal waters and rocky or sandy bottoms.

GALVANIZED

Model Number	Part Number	Description
APYRAMIDG20	5709-0327	Anchor Pyramid Galv 20 lb
APYRAMIDG30	5709-0329	Anchor Pyramid Galv 30 lb
APYRAMIDG40	5709-0331	Anchor Pyramid Galv 40 lb



FOLDING ANCHORS

Galvanized for superior corrosion resistance. Compact design allows for easy stowing. Once locked in the unfolded position, it has great holding power in a variety of conditions. Great to use as a back up anchor.

GALVANIZED

Model Number	Part Number	Description
AFOLDG1-1/2	5709-0316	Anchor Folding Galv 1.5 lb
AFOLDG3	0355-1196	Anchor Folding Galv 3 lb
AFOLDG7	0355-1197	Anchor Folding Galv 7 lb



PWC ANCHOR KIT

Kayak, small craft, or PWC folding anchor kit. This compact kit includes a painted 3 lbs folding cast anchor, 25' of anchor line, line float, and a stainless steel snap. Can be used as a primary anchor on small craft and a secondary on larger boats. Stows in a draw bag.

Model Number	Part Number	Description
SL50301	5709-0308	3 lb PWC Anchor Kit



ROCKING ANCHOR

Built for heavy current conditions, this anchor is not to be messed with. Even with it's rocking motion, and it's Break-Loose function, this anchor digs in, and holds on. Available in collapsible and non-collapsible models.

GALVANIZED

Model Number	Part Number	Description
AROCKG20	5709-0323	Rocking Anchor 20 lb
AROCKG30	5709-0325	Rocking Anchor 30 lb
AROCKGC32	0355-1225	Anchor Rocking Collapsible 32 lb



12" ANCHOR BUOY

Heavy Duty Construction
Works with Anchor Retrieval Ring
UV Protection

Model Number	Part Number	Description
SL50712	5709-0298	12" Anchor Buoy



MOORING ANCHOR ACCESSORIES & FENDER ADJUSTERS

ANCHOR LOCKING CONTROL



Makes anchor retrieval safe and easy without standing up in a small boat. Zinc plated to resist corrosion and works with anchors up to 20 lbs.

Model Number	Part Number	Description
SL91609	5709-0318	Anchor Locking Control

GALVANIZED ANCHOR CHAINS



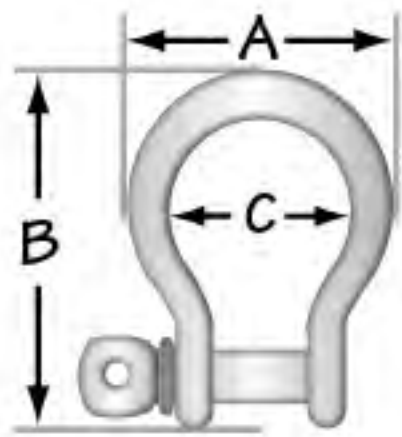
Complete your anchor system with corrosion resistant hot-dipped galvanized anchor chain. Oversized end links. Available in 2 sizes.

SAFE WORK LOAD:
1/4" - 1300 LBS
5/16" - 1700 LBS



Model Number	Part Number	Description
SL52061	5709-0304	Anchor Chain Galvanized 1/4" x 4'
SL52062	5709-0306	Anchor Chain Galvanized 5/16" x 6'

STAINLESS STEEL ANCHOR SHACKLES

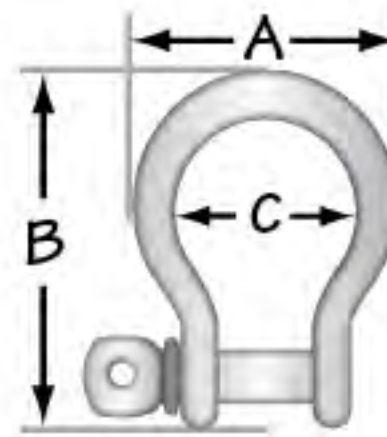


Polished 5/16" stainless steel anchor shackle with round sides and hole-end screw pin. Provides a secure link between anchors, line and chain.



Model #	Part Number	Description	Product Dimension
SL52066	5579-0012	Shackle Anchor 316 SS 5/16"	A: 1.76" B: 2.27" C: 1.10"

GALVANIZED ANCHOR SHACKLES



Heavy-duty hot-dipped galvanized anchor shackles with hole end screw pin. Provides a secure link between anchors, line, and chain.



Model #	Part Number	Description	Product Dimension
SL52067	5709-0312	Shackle Anchor Galvanized 5/16"	A: 1.39" B: 2.05" C: 0.82"
SL52069	5709-0310	Shackle Anchor Galvanized 3/8"	A: 1.70" B: 2.39" C: 0.98"
SL55030	5709-0585	Shackle Anchor Galvanized 1/4"	A: 1.125" B: 1.79" C: 0.66"



QUICK RELEASE FENDER HOLDER



Allows quick and easy access to your fender. Works with 1/4" - 3/8" fender lines. Heavy duty, corrosion free, nylon construction. Hardware included.

MOUNTS 2 WAYS!

Model Number	Part Number	Description
SL34878	5709-0429	Quick Release Fender Holder 2 Pack

ADJUSTABLE FENDER HOLDER



Adjustable 4" to 22" strap. Easily attach or detach with quick release buckle. Fender not included.

Model Number	Part Number	Description
SL91556	5709-0339	Fender Holder Adjustable Black Strap



PONTOON FENDER ADJUSTER

Fits standard pontoon railing. Works with 1/4" to 3/8" fender lines. Easy to adjust. No hardware required. Fender not included.

Model Number	Part Number	Description
SL40044	5709-0365	ADJ Fender Cleat Pontoon 2 Pack



RIBBED INFLATABLE FENDERS

"Super-soft" fenders are non-abrasive and can be tied to cleats or rails to put protection exactly where you need it. Made of high quality vinyl. Ribbed on all sides for strength and durability. Reinforced rope holes for added strength. Rope holes on both ends allow for horizontal placement. Needle valve for easy inflation.

Model Number	Part Number	Description
SL52384	5709-0345	Inflatable Fender 4.5" x 16" - Blue
SL52385	5709-0341	Inflatable Fender 4.5" x 16" - White
SL52389	5709-0343	Inflatable Fender 4.5" x 16" - Black
SL50003	5709-0349	Inflatable Fender 5.5" x 20" - Blue
SL52386	5709-0347	Inflatable Fender 5.5" x 20" - White
SL50001	5709-0291	Inflatable Fender 5.5" x 20" - Black
SL52387	5709-0355	Inflatable Fender 6.5" x 23" - Blue
SL52388	5709-0351	Inflatable Fender 6.5" x 23" - White
SL91550	5709-0353	Inflatable Fender 6.5" x 23" - Black
SL76662	5709-0357	Inflatable Fender 8.5" x 27" - White



RIBBED INFLATABLE FENDERS - 4 PACK

Model Number	Part Number	Description
SL91841	5709-0359	Inflatable Fender 6.5" x 23" - White - 4 Pack



RIBBED INFLATABLE FENDERS WITH LINE - 4 PACK

Model Number	Part Number	Description
SL52149	5709-0591	5.5" x 20" 2 Pack with Fender Lines - White
SL52151	5709-0592	5.5" x 20" 2 Pack with Fender Lines - Black





MOORING CLEATS



GALVANIZED CLEAT

6", 8" & 10" cast iron galvanized cleats, great for docks and pilings. Comes pre-drilled for easy installation. Galvanized coating for long life and durability.



Model #	Part Number	Description	Product Dimension
SL52141	5709-0367	Cleat 6" Cast Iron Galvanized	A: 1.36" B: 2.1" C: 0.75" D: 1.2" E: 6"
SL52143	5709-0369	Cleat 8" Cast Iron Galvanized	A: 1.9" B: 3" C: 1.1" D: 1.7" E: 8"
SL52144	5579-0383	Cleat 10" Cast Iron Galvanized	A: 2.3" B: 3.8" C: 1.1" D: 2.4" E: 10"

CLASSIC STAINLESS STEEL CLEAT

Heavy duty 316 stainless steel cast cleat. Includes pre-drilled holes for easy installation on docks or boats. Open base design allows for use with multiple line sizes.



Model #	Part Number	Description	Product Dimension
SL91013	5709-0374	Cleat 6" Stainless Steel	A: 1.2" B: 2.95" C: 0.5" D: 2.25" E: 6"

RETRIEVAL RING

Stainless steel anchor retrieval ring. Allows for easy anchor retrieval using a fender or buoy.



Model #	Part Number	Description	Product Dimension
SL52064	5579-0011	Anchor Retrieval Ring	A: 5.5" B: 7.0" C: 1.5" D: 1.82"

FOLDING NYLON CLEAT

Corrosion resistant nylon construction, folds away for a flush appearance. Fits up to 3/8" docklines.

Model #	Part Number	Description
SL50702	5709-0361	4.5" Folding Nylon Cleat - Pair
SL50703	5709-0284	4.5" Folding Nylon Cleat - Single
SL50704	5709-0363	4.5" SS Folding Nylon Cleat - Single

NYLON CLEAT

4.5", 6" & 8" high impact solid nylon cleat for use on docks or boats. Comes pre-drilled for easy installation. Open base design allows for use with multiple lines sizes.



Model #	Part Number	Description	Product Dimension
SL52137	5579-0381	Cleat 4.5" Nylon Blk	A: 1" B: 1.6" C: 0.75" D: 1" E: 4.5"
SL52138	5579-0026	Cleat 6" Nylon Blk	A: 1.2" B: 2.1" C: 1" D: 1.5" E: 6"
SL52139	5709-0371	Cleat 8" Nylon Blk	A: 1.6" B: 4.2" C: 1.1" D: 2.2" E: 8"

ZAMAK CLEAT

4.5" & 6" traditional style chrome plated zamak cleats for use on docks or boats. Comes pre-drilled for easy installation. Open base design allows for use with multiple lines sizes.



Model #	Part Number	Description	Product Dimension
SL52135	5579-0024	Cleat 4.5" Chrome Plated Zamak	A: 1" B: 2.25" C: 1.65" D: 1.65" E: 4.5" F: 1.2"
SL52136	5579-0025	Cleat 6" Chrome Plated Zamak	A: 1.4" B: 2.6" C: 2.1" D: 2.1" E: 6" F: 1.5"

UNIVERSAL TROLLING MOTOR EXTENSION HANDLE

- Fits Most Brands of Hand-Controlled Trolling Motors
- Telescopes to 24" (61 cm)
- Lightweight and Durable
- Installs Easily



Model #	Part Number	Description
SL76634	5709-0199	Telescopic Trolling Motor Handle



OUTBOARD MOTOR CARE

IT'S EASY TO KEEP YOUR OUTBOARD IN TIP-TOP SHAPE, EVEN IF YOU'RE NOT A MECHANIC. PREVENTIVE BOAT MOTOR MAINTENANCE FACILITATES SAFE BOATING AND CAN KEEP YOUR MOTOR RELIABLE FOR A LONG TIME.

⚠ WARNING: PLEASE CONSULT YOUR OWNERS MANUAL BEFORE PERFORMING ANY MAINTANENCE.

AFTER EVERY TRIP:

- » Flush out the engine. This doesn't just apply to saltwater adventures, but to freshwater outings as well.
- » Start up the engine and let the water pump do the rest (*practice safe boating by remembering to stay clear of the prop and make sure no one tries to shift the motor into gear*).
- » While you're flushing the motor, check the water pump to make sure it has good water flow. Carefully put your finger through the stream of water. It may be warm, but it shouldn't be hot. If the output is not strong, you may have some debris stuck in the outflow tube. Immediately shut down the engine to prevent overheating and damage. Insert a small piece of wire into the flow tube and work it back and forth. Start the engine again and check the output. If that doesn't solve the problem, you may need a new water pump.
- » After flushing the engine, disconnect the fuel line and allow the engine to burn all the fuel in the carburetor. Once you've finished the flushing and run the engine out of fuel, be sure to turn off the key and, if you have a battery switch, turn it off.
- » Take the engine cowling off and check for fuel or water leaks. If you find leaks, consult your safe boating mechanic.
- » Wipe everything down and spray with an anti-corrosive lubricant. Be sure to lubricate all the moving parts, such as the shift, throttle cables, carburetor valves, etc.
- » Replace the cowling and wipe it down. Keep a canvas or plastic cover on the engine between trips.
- » Always use fresh fuel. At the end of the season, boat motor maintenance should include draining your tanks and taking the fuel to the proper recycling authority.

// REGULAR MAINTENANCE

- » Periodically check the fuel line for cracks and worn spots.
- » Make sure the fuel primer bulb is not cracked and is pliable.
- » Make sure the fuel-line fittings seat properly and don't leak.
- » Check the clamps on the fuel line for rust or corrosion.
- » Check the fuel tanks for damage and corrosion.
- » Check the tank vent to make sure it aspirates properly.
- » Check regularly for water in the fuel.



MOTOR HELP?



Scan the QR Code to watch Captain Weekend demonstrate how to properly flush your boat's motor.



4 LITER CAPACITY

ESSENTIAL FOR 4-STROKE OIL CHANGES!



OIL CHANGER/FLUID EVACUATOR KIT WITH HAND PUMP

4 Liter Total Capacity, Makes Changing Oil Easy, Works with All Styles of 4 Stroke Engines.

Model Number	Part Number	Description
SL40419	5709-0378	Oil Pump Fluid Evac Kit





MOTOR & FUEL OIL CHANGERS, PUMPS, FITTINGS

12V OIL CHANGER

This 12-Volt Oil Extractor pumps hot oil out through the dipstick tube without mess, saving you time and money. Completely self-contained and self priming 12-Volt electric rotary pump. Includes hoses, clamps and battery clip connections. Great for all types of 4-Stroke engines.



12V

Drains 3 Quarts in 5 Minutes!

Model Number	Part Number	Description
SL52224	5709-0394	Oil Changer 12V

OIL MIXING BOTTLE



An easy-to-use bottle that helps you properly mix your fuel/oil. It is made for two-cycle marine and home engines. Easy-to-read graphics on the bottle to help you mix the right amount the right way.

Model Number	Part Number	Description
SL52227	5709-0380	Oil Mixing Bottle

LOWER UNIT LUBE PUMP



Lower unit lube pump uses standard sized quart bottles. Fits domestic O/B and I/O motors. Includes adapter for most O/B and I/O engines.

Model Number	Part Number	Description
SL52226	5709-0392	Pump Lower Unit Fill

MERCURY® FUEL CONNECTORS

2 Prong brass tank fitting. Male 1/4" NPT threaded end. Accepts Mercury®/Mariner® fuel fitting. Quick connect resin fitting for Mercury®/Mariner® Engines. Female, with 3/8" hose barb.



SL91715



SL91685

For fuel line to fuel tank only. This fitting is not for use to connect the fuel hose to the outboard.

Model Number	Part Number	Description
SL91685	5709-0413	Mercury Female 2-Prong
SL91715	5709-0415	Mercury Male 2-Prong

MERCURY® FUEL CONNECTORS

3 piece Mercury® female connector 3/8" fuel hose barb and elbow. Can be used as a fuel tank fitting or hose connector. Aluminum construction with brass fittings.



Male Fuel Tank quick-connector fitting for Mercury® engines. Bayonet style, Aluminum construction with brass 3/8" hose barb attached. Brass fittings.



SL52214



SL52213

Model Number	Part Number	Description
SL52213	5709-0417	Mercury Fitting Female Tank Alum
SL52214	5709-0419	Mercury Male Fitting Cast Alum

YAMAHA® FUEL CONNECTORS

Quick connect resin fitting for Yamaha® engines. Female, with 3/8" hose barb. 2 Prong brass tank fitting. Male 1/4" NPT threaded end. Accepts Yamaha® fuel fitting.



SL52212



SL52211

Model Number	Part Number	Description
SL52211	5709-0421	Yamaha Fitting Female 2-Prong
SL52212	5709-0423	Yamaha Fitting Male 2-Prong

JOHNSON® EVINRUDE® FUEL CONNECTORS

Quick connect resin fitting for Johnson® / Evinrude® engines. Female, with 3/8" hose barb. 2 Prong brass tank fitting. Male 1/4" NPT threaded end. Accepts Johnson® / Evinrude® fuel fitting.



SL52210



SL52208

Model Number	Part Number	Description
SL52208	5709-0425	Johnson Evinrude Female 2-Prong
SL52210	5709-0427	Johnson Evinrude Male 2-Prong



INLINE FUEL FILTER

Clear view in-line fuel filter includes 5/16" and 3/8" OD barbs for exact match to fuel lines. For use on inboard and outboard engines.



Model #	Part Number	Description
SL53113	5709-0398	Universal Fuel Filter

UNIVERSAL FUEL FILTER

Clear view in-line fuel filter includes 5/16" and 3/8" OD barbs for exact match to fuel lines. For use on inboard and outboard engines.



Replacement Fuel Filters for SL52203. Includes 3 filters and 6 gaskets.

Model #	Part Number	Description
SL52202	5709-0400	Fuel Filter -5/16"-3/8"

DRAINABLE FUEL FILTER WATER SEPARATOR

Removes Water, Dirt And Impurities From Your Fuel

- 60 GPH
- Includes a Bracket and Spin-on Style Filter With Clear Drain Bowl



Model #	Part Number	Description
SL52201	5709-0344	Fuel Filter Water Separator

UNIVERSAL PRIMER BULBS

Made from tough climate tested rubber, spring loaded double check valves, stainless steel hose clamps and featuring Speed Prime™ technology. Fits both 5/16" and 3/8" fuel lines. EPA compliant.



Model Number	Part Number	Description
SL91590	5709-0403	Universal Primer Bulb



EZ SIPHON HOSE

No more sucking! No more gas in your mouth! Just shake and let the gas flow. The hose is 1/2" inch by six feet long has a brass fittings.

Model Number	Part Number	Description
SL76645	5709-0402	EZ Siphon Hose 1/2"x6'



EPA COMPLIANT FUEL LINE ASSEMBLIES

7' X 3/8" tough and pliable fuel line and primer bulb with Speed Prime technology. Universal for use with any 3/8" fuel fitting.



- ✓ Composite Fuel Hose
- ✓ Extreme Climate Tested
- ✓ Kink-Free Hose
- ✓ Stainless Steel Hose Clamps
- ✓ Alcohol Resistant
- ✓ Double Check Valves

Model Number	Part Number	Description
SL91567	5709-0405	Universal Fuel Line 3/8" x 7'
SL91568	5709-0407	Johnson/Evinrude Fuel Line 3/8" x 7'

Model Number	Part Number	Description
SL91569	5709-0409	Mercury Fuel Line 3/8" x 7'
SL91570	5709-0411	Yamaha Fuel Line 3/8" x 7'



Universal
SL91567



Johnson®/Evinrude®
SL91568



Mercury®
SL91569



Yamaha®
SL91570



MOTOR & FUEL FLUSHERS, ACCESSORIES

DUAL FLOW FLUSHER

Universal dual flow motor flusher. Works on most outboards and inboard I/O's. Provides water to both sides of the water intake. Great for flushing contaminants and salt deposits from cooling system. Also allows idling for engine adjustments when out of the water. Requires no tools for installation or removal.



Model Number	Part Number	Description
SL52207	5709-0390	Motor Flusher Dual Feed Rubber

BASIC MOTOR FLUSHER

Motor flusher fits most outboards and I/O outdrives. Flush contaminants and salt deposits from cooling system and allows idling for engine adjustments when out of the water. Install in seconds using a garden hose. Requires no tools for installation or removal.



Model Number	Part Number	Description
SL52205	5709-0384	Motor Flusher Basic Round PVC

LARGE MOTOR FLUSHER

Rectangular Motor Flusher designed to fit larger outboards. Flush contaminants and salt deposits from cooling system and allows idling for engine adjustments when out of the water. Install in seconds using a garden hose. Requires no tools for installation or removal.



Model Number	Part Number	Description
SL52206	5709-0388	Motor Flusher Rectangular Rubber

LARGE MOTOR FLUSHER - PVC

Rectangular Motor Flusher designed to fit larger outboards. Flush contaminants and salt deposits from cooling system and allows idling for engine adjustments when out of the water. Install in seconds using a garden hose. Requires no tools for installation or removal.



Model Number	Part Number	Description
SL40500	5709-0386	Motor Flusher PVC Large

2-PIECE HYDROFOIL

Improve overall performance on outboard or stern drive powered boats. Improves fuel efficiency and planning time, while increasing stability. Fits most I/O and O/B motors with no modification. All mounting hardware is included.



IMPROVES FUEL ECONOMY



Model Number	Part Number	Description
SL91111	5579-0045	2 Piece Hydrofoil

PROP WRENCH

Prop wrench made of high tensile strength nylon. Long handle helps to tighten and loosen a 1 1/16" prop nut without stripping.

Features a 9/16" garboard drain socket on the back.



Model Number	Part Number	Description
SL52229	5579-0034	Prop Wrench

KILL SWITCH LANYARD - 7 KEY

Universal kill switch lanyard fits replacement lanyards. Coiled cord. Plastic safety vest clip. Has 7 keys to fit all BRP®, Johnson®, Evinrude®, Mercury®, Yamaha®, Honda®, Tohatsu®, Nissan® and Suzuki® kill switches.



Model Number	Part Number	Description
SL51302	5579-0047	Boat Kill Switch Keys W/Lanyard

STAINLESS STEEL UNIVERSAL DECK KEY

Used to loosen and or tighten deck fill caps. Made from stainless steel and includes lanyard. Fits most deck plates, gas tanks, and water tank caps. Features flat-head screwdriver and bottle opener.



Model Number	Part Number	Description
SL91784	5709-0396	SS Universal Deck Key



JACKS, STRAPS, WINCHES & MORE!

SHORELINE MARINE® HAS EVERYTHING YOU NEED TO LOAD UP, LOCK DOWN, AND HEAD OUT SAFELY AND SECURELY.

1500LB OFFSET TRAILER JACK

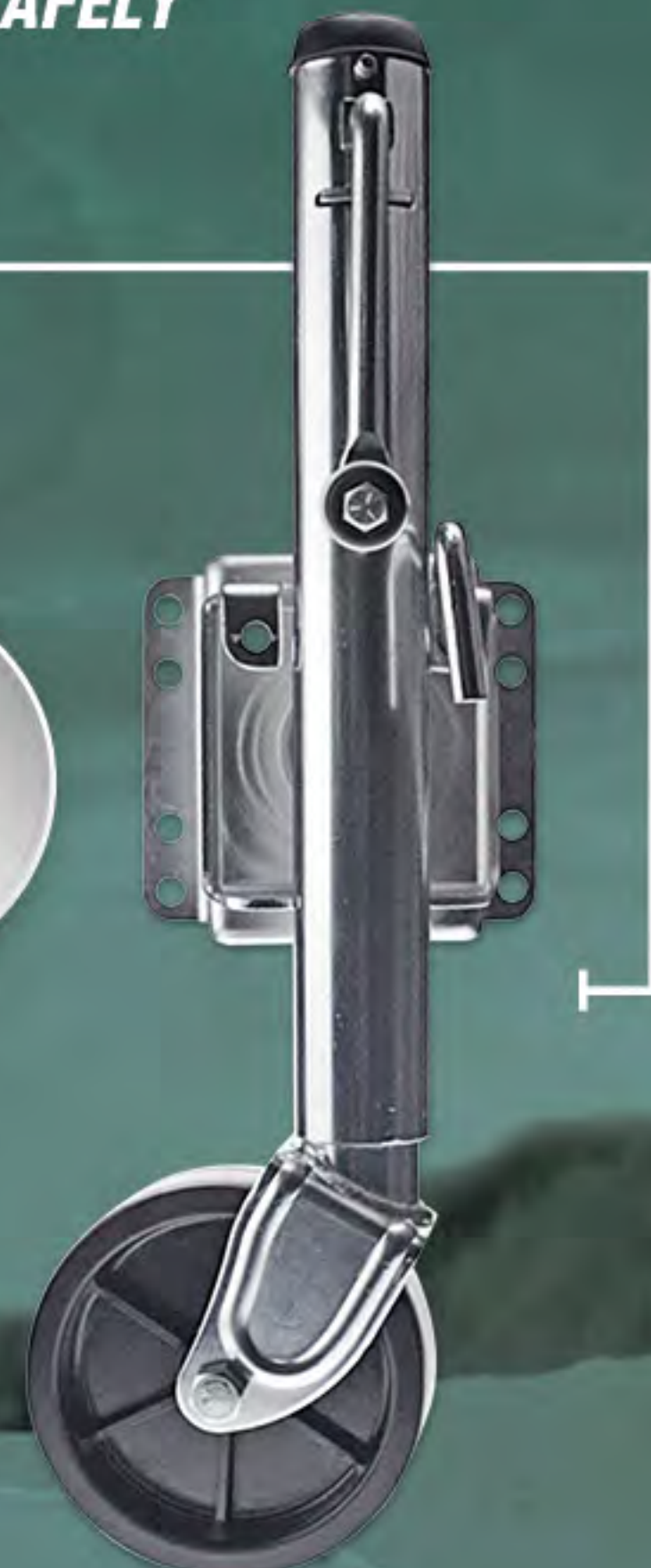
Built Tough For Maximum Strength and Durability. Rotates to Fit Any Standard 3 in (76 mm), 4 in (102 mm) or 5 in (127 mm) Trailer Tongues. 10 in Travel. Features a **No-Kick** offset design. Mounting hardware included.

Model Number	Part Number	Description
SL40221	5709-0114	1500 lb Offset Trailer Jack

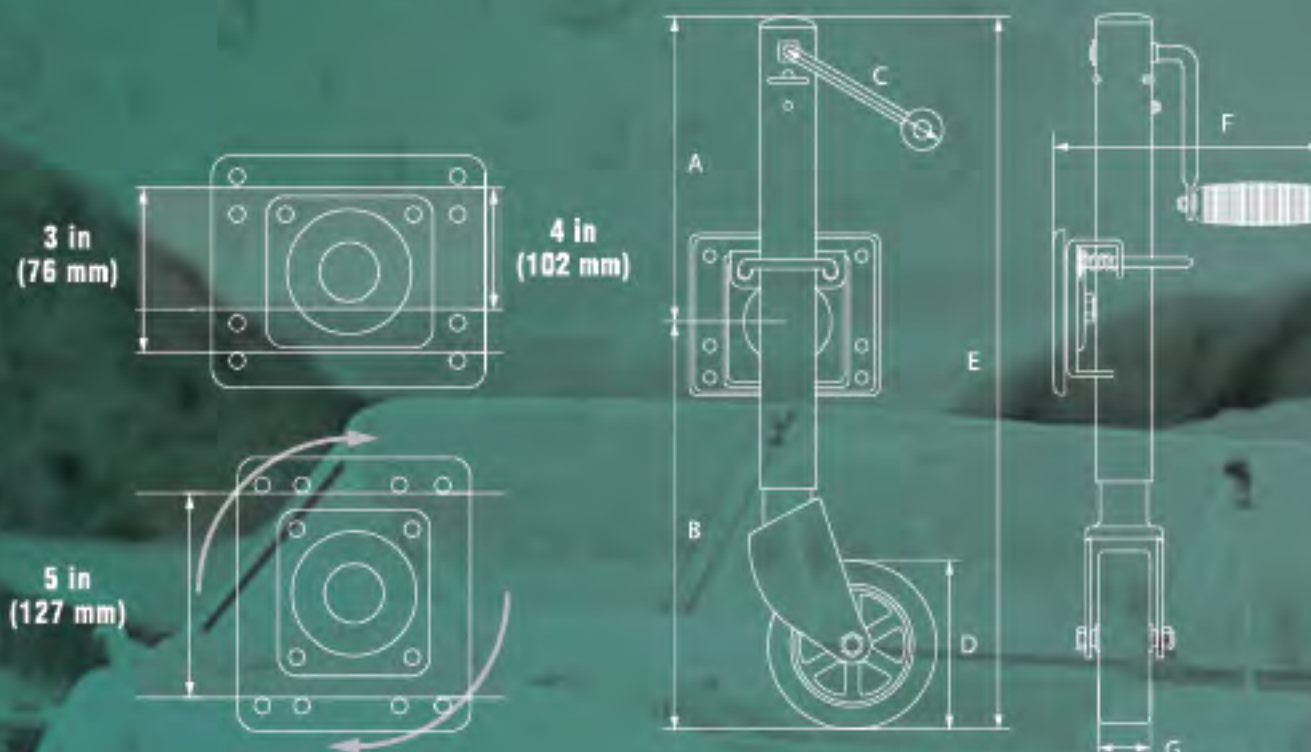
Product Dimensions: A: 10.25" B: 12.25" C: 6.35" D: 6" E: 22.5" F: 9.5" G: 2"

Model Number	Part Number	Description
SL40222	5709-0116	1000 lb Trailer Jack

Product Dimensions: A: 11.5" B: 11" C: 6.3" D: 6" E: 22.5" F: 7.5" G: 1.88"



ZINC PLATED
CORROSION RESISTANT

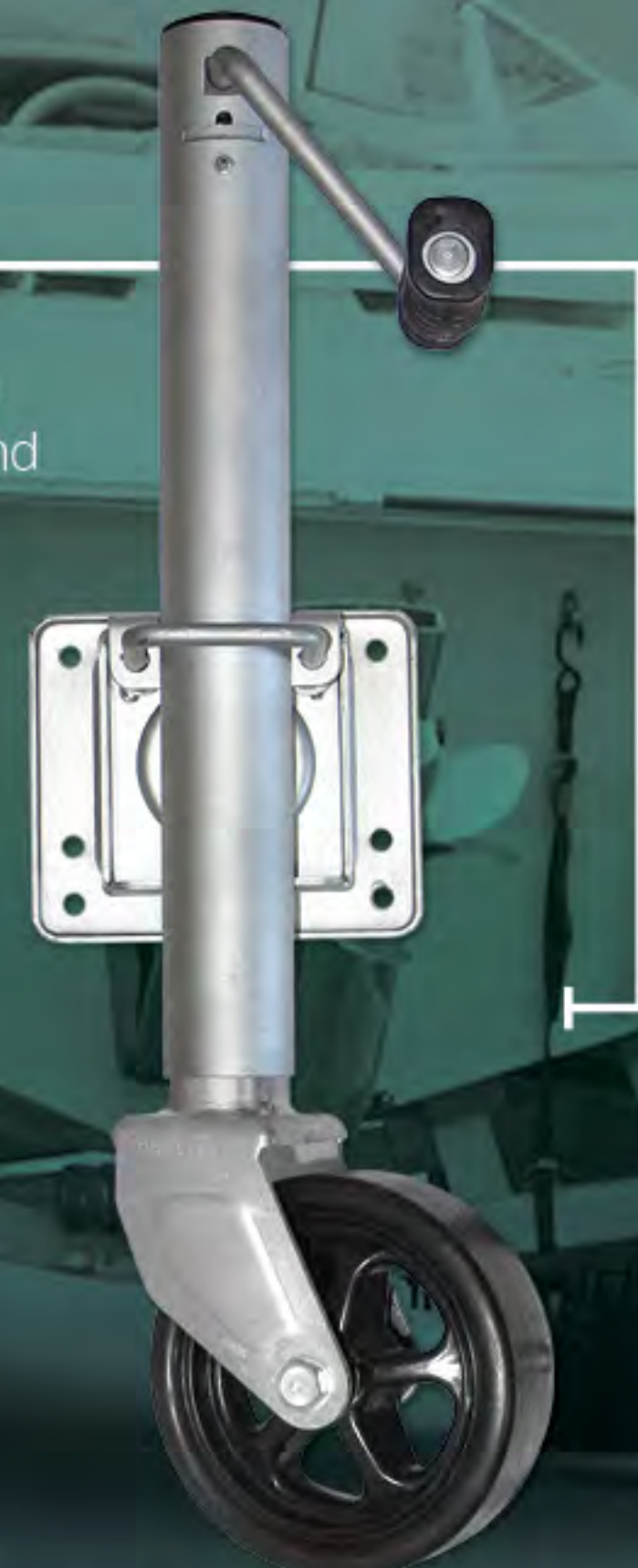


800LB SWING-UP TRAILER JACK

Featuring a Power Grip Handle for Maximum Comfort, Square Gears That Wont Strip, and a Double Pin for Added Strength, this 800lb Trailer Jack is Built Tough For Maximum Strength and Durability. Rotates to Fit Any Standard 3 in (76 mm), 4 in (102 mm) or 5 in (127 mm) Trailer Tongues. 10 in Travel. Mounting hardware included.

Model Number	Part Number	Description
SL52307	5709-0112	1500 lb Offset Trailer Jack

Product Dimensions: A: 10.5" B: 13.5" C: 5.25" D: 6" E: 24" F: 9.5" G: 1.75"



INSTALLATION ASSISTANCE?



Scan the QR Code to watch Captain Weekend demonstrate how to properly install a swing up trailer jack.



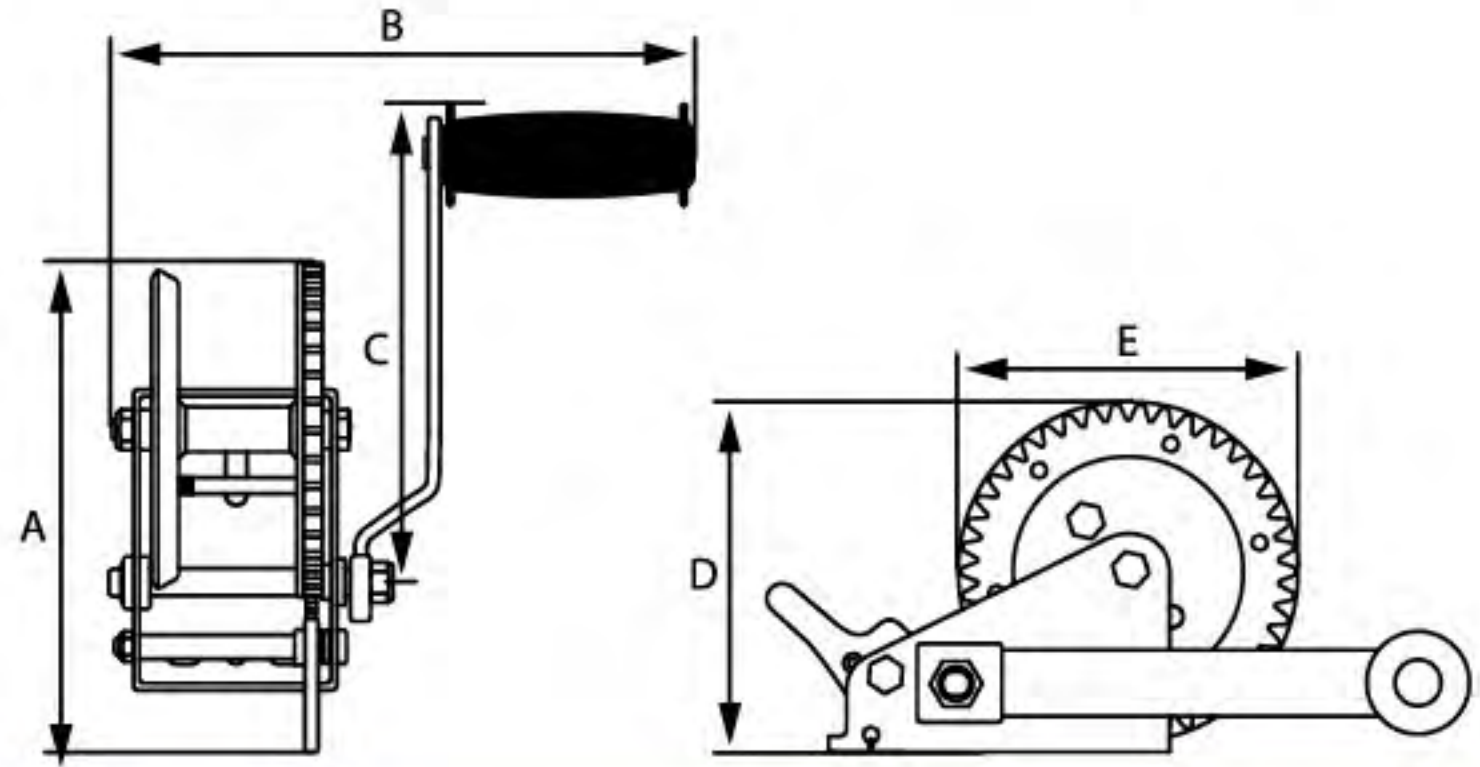


TRAILER WINCHES

Heavy duty single drive winches feature stacked gears and gear pawl. The roller handle and spring activated pawl allows for easy and safe operation of ratchet. Ready to be used in the harshest environments. Universal mounting holes.



SL52338
1200 lbs
Winch with Strap
Ratchet : 2 Way +Neutral
Gear Ratio: 4:1
Handle: Ergo Power



Model Number	Part Number	Description	Product Dimensions
SL52338	5709-0499	Winch 1200 lbs	A:8.25" B:10" C:6.75" D:5.75" E:4.5"



TRAILER JACK WHEEL
Fits standard trailer jacks.
2" x 6"



TRAILER WINCH CABLE
Galvanized
Includes Cable Keeper
3/16" x 25'
Safe Working Load: 1470 lb
Breaking Strength: 4410 lb

Model Number	Part Number	Description
SL52306	5709-0120	Trailer Jack Wheel 6"

Model Number	Part Number	Description
SL59282	5709-0587	Winch Cable 3/16" x 25' w/Cable Keeper



WINCH STRAP
2" x 20' polyester webbing.
Heavy duty plated safety
hook. Winch straps.



WINCH ROPE
Winch rope is 20' feet long.
Made of a high strength
blend to reduce stretch and
has an attached galvanized
winch hook.

Model Number	Part Number	Description
SL52333	5709-0124	Winch Strap

Model Number	Part Number	Description
SL76660	5709-0126	Winch Rope



TRANSOM TIE DOWN STRAPS

Fully adjustable quick release style tie downs with 2 coated J-hooks.



GUNWALE TIE DOWN STRAPS

Boat gunwale tie down straps. Cadmium plated J-Hooks. Quick release.

Model Number	Part Number	Description
SL52329	5709-0069	Transom Tie Downs 2" X 48" Pair

Model Number	Part Number	Description
SL52328	5709-0132	Trailer Gunwale Tie Down 16'
SL52327	5709-0487	Trailer Gunwale Tie Down 10'



TRANSOM TIE DOWNS

Fully adjustable cam style tie downs with 2 coated J-hooks.

Model Number	Part Number	Description
SL52330	5709-0297	Cam Tie Down 1" X 6' Pr



BOW TRAILER TIE DOWN

- S-Hook for Quick and Easy Use
- Double Loop ends for Quick Attachment Quick Locking Buckle
- Nylon Webbing Double Loop ends for Quick Attachment
 - Quick Locking Buckle
- Nylon Webbing with 2 coated J-hooks.

Model Number	Part Number	Description
SL40218	5709-0128	Bow Trailer Tie Down



RATCHET TIE DOWN STRAPS

- 1" x 6'
- Fully Adjustable
- Quick Release Buckle

Model Number	Part Number	Description
SL91425	5709-0360	Transom Tie Down 1" X 6' Ratchet



BEARING SET

One pair of bearings with races. One grease seal and one cotter pin per bearing. One set of bearings per hub.

Model Number	Part Number	Description
SL52287	5709-0081	Bearing Kit 1" w/Seal
SL52288	5709-0084	Bearing Kit 1 1/16" X 1 3/8" w/Seal



SPRING-LOADED BEARING PROTECTOR

Steel spring keeps hub grease under pressure, guarding against water seepage and failure. Grease fitting in cap.

Model Number	Part Number	Description
SL52289	5709-0087	Bearing Protector (1.980")



BEARING PROTECTOR CAPS

Helps to protect your bearings against damage from water and dirt entering the wheel bearings.

Model Number	Part Number	Description
SL52286	5709-0072	Bearing Covers (1.980") Pair

LOCKING U-BOLT SPARE TIRE CARRIER

Galvanized Construction, 2 Threaded Locking Brackets, Includes Brass Lock with 2 Keys, Fits up to 15 in (38 cm) Wheel.



Model Number	Part Number	Description
SL91883	5709-0259	U-Bolt Spare Tire Carrier with Straps

SPARE TIRE CARRIER

Heavy 7/16" U-bolt secures tire on tongue or frame up to 3" wide. Suitable for 4 or 5 hole rims. Will fit 8" through 14" and most 15" wheels.



Model Number	Part Number	Description
SL52293	5709-0089	U-Bolt Spare Tire Carrier



TRAILER TRAILER EQUIPMENT

25FT TRAILER WIRE HARNESS



25 ft (7.6 m) Wishbone Trailer Harness, Vehicle and Trailer Connectors, Includes 8 Trailer Clips. 4 Way.

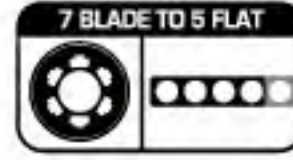
Model Number	Part Number	Description
SL52339	5709-0104	25 ft Trailer Wire Harness

TRAILER WIRING ADAPTER



- Trailer Wiring Adapter
- Converts Vehicle 7-Way Round Connector to 5-Way Flat
- 12 Volt DC

12V



Model Number	Part Number	Description
SL27002	5709-0055	Trailer Wire Adapter 7-Round to 5 Flat

RUBBER MOTOR SUPPORT BRACKET



- Easily Slides Onto the Motors Trim Rams
- Keeps Your Motor Safe and in Place While Trailering
 - Stops Harmful Bouncing and Slipping
 - Reduces Strain on the Transom

Model Number	Part Number	Description
SL59127	5709-0048	Rubber Motor Support Bracket

TRAILER CIRCUIT TESTER IN-LINE



In-line circuit tester stays connected. Testing for wiring problems. Plug into your 4-way flat plug to test. LED lights show if your tail lights, turn signals and brake lights are working. Make sure your vehicle is working properly.

LED

Model Number	Part Number	Description
SL52298	5709-0141	Trailer Circuit Tester Inline

5-WAY TRAILER WIRING CONNECTORS

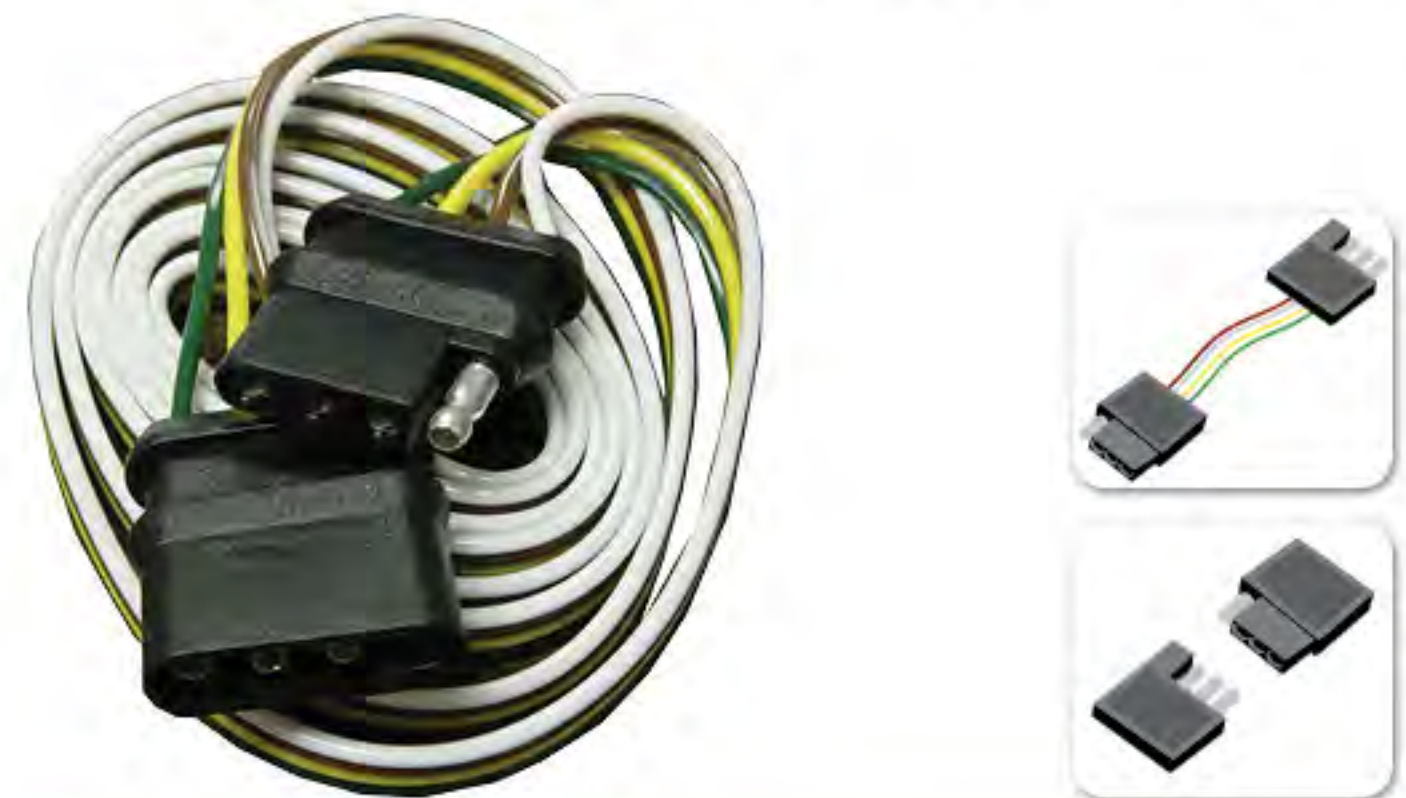
5 Pole Male & Female Trailer Ends. Color Coded Lead Wires. Use as 24" Extension or Cut to Length for a Wired Trunk and Trailer Connector. 6, 12, and 24 Volt Capacity.



Model Number	Part Number	Description
SL59386	5709-0586	Trailer Wire Connector 5-Way 24"(Both Together)

4-WAY TRAILER WIRING CONNECTORS

Color-coded 4-way wire connectors. 12" lead, male trailer connector. 48" lead female trunk connector.



Model Number	Part Number	Description
SL52342	5709-0108	4-way wire Connector Female 48"



TRANSOM SAVER DELUXE

Rocker style transom saver with cast aluminum head and rubber pads. Easily adjusts from 34"-46". Dual mount, 10" motor strap and 5" trailer strap included.

- Rubber strap
- Universal mount
- Bolt on adapter
- Padded cast aluminum head
- 34"-46"



Model Number	Part Number	Description
SL52295	5579-0041	Rocker Transom Support Bracket

TRANSOM SAVER ECONOMY

Comes with over the roller & bolt-on brackets for mounting to trailer. Made of coated steel, 29"-35" adjustable length. 10" rubber strap included.



BUILT-IN SHOCK ABSORBERS

PROTECT YOUR TRANSOM FROM DAMAGE WHILE TRAILERING



Model Number	Part Number	Description
SL91159	5709-0074	Transom Supt Bracket Dual Mnt

TRANSOM SAVER WITH SPRING

- Adjusts from 21" to 31"
- Designed to protect your engine and boat.
- Includes rubber strap
- Stabilize engine and steering mechanism when trailering



PROTECT YOUR TRANSOM FROM DAMAGE WHILE TRAILERING



Model Number	Part Number	Description
SL59123	5709-0052	Transom Saver with Spring



STICK-ON TRAILER REFLECTORS

1.5" wide and 3.25" long red and amber hard plastic reflectors with self-adhesive for easy application.



Model Number	Part Number	Description
SL76657	5709-0091	Reflector Rectangle Amber
SL76658	5709-0094	Reflector Rectangle Red

TRAILER REFLECTIVE TAPE STRIP

2" wide and 12" long reflective strip of red and silver tape with self-adhesive for easy application. DOT approved.



Model Number	Part Number	Description
SL76659	5709-0096	Reflective Tape 2X12" 2-Strips

LED TRAILER GUIDE-ON POST LIGHT KIT

FULLY SUBMERSIBLE

- Unique design for easy installation
- 2 - 10' Plug-in wire harnesses
- Installation hardware included
- USDOT/SAE/STI Approved
- Mounts to existing 2" PVC guide-on posts
- Greater visibility for added safety
- Bright & long-lasting SMD type LED tail lights
- Fully submersible

Model Number	Part Number	Description
SL59750	5709-0547	LED Trailer Guide-On Light Kit - Pair





UNDER 80" TAIL LIGHT KIT

Trailer tail light kit for use on trailers under 80" wide. Submersible multi-function light kit includes right and left taillights (Basic only), 25' wishbone wiring harness, 48" trunk connector, license plate bracket and mounting hardware. Clam Pack.



Basic trailer light kit shown (SL52310)

12V

Model Number	Part Number	Description
SL52310	5709-0098	Trailer Light Kit Conv Basic
SL52311	5709-0100	Trailer Tail Light Conv Right
SL52312	5709-0102	Trailer Tail Light Conv Left

5 PIECE LED TRAILER LIGHT KIT

- 1 Right and 1 Left LED Submersible Tail Light
- 1 License Plate Bracket
- 22' Trailer Wiring Harness
- 4 ft Trunk Connector
- Stainless Steel Mounting Hardware
- Frame Clips
- Electrical Connectors
- Complete Wiring Instructions



12V

Waterproof



Fits Trailers Less Than 80in Wide



Reflective



Stop, Turn, and Tail Lights



License Plate Light



Flat 4-Way Connector

Model Number	Part Number	Description
SL40140	5709-0012	5 Piece LED Trailer Light Kit

LOW PROFILE LED TRAILER LIGHT KIT

- 1 Right and 1 Left LED Submersible Tail Light
- 1 License Plate Bracket
- 25 ft Trailer Wiring Harness
- 4 ft Trunk Connector
- Stainless Steel Mounting Hardware
- Frame Clips
- Electrical Connectors
- Complete Wiring Instructions



12V

Waterproof



Fits Trailers 80in Wide or More



Reflective



Stop, Turn, and Tail Lights



License Plate Light

Model Number	Part Number	Description
SL40139	5709-0009	Low Profile LED Trailer Light Kit



TRAILER TRAILER EQUIPMENT

COUPLER SAFETY PIN



1/4" diameter steel shaft pin, 1-3/4" shaft length, 1-1/2" clearance. Serves a variety of different uses.

Model Number	Part Number	Description
SL52299	5709-0062	Trailer Coupler Safety Pin

TRAILER RECEIVER PIN WITH CLIP



5/8" trailer receiver pin with clip.

Model Number	Part Number	Description
SL52303	5709-0148	Trailer Receiver Pin 5/8"

TRAILER BALLS



Chrome plated, solid steel machined ball includes nut and lock washer with mounting hole adapter.

Model Number	Part Number	Description
SL52334	5709-0299	Trailer Ball 1-7/8" X 3/4" X 2" Shaft
SL52335	5709-0350	Trailer Ball 2" x 3/4" x 2" Shaft

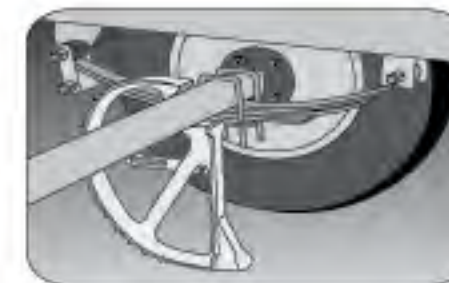
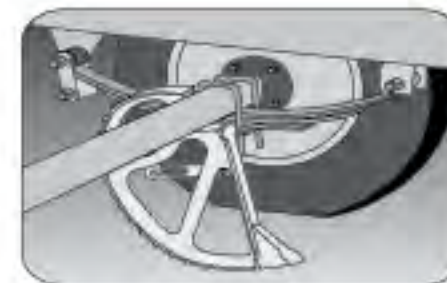
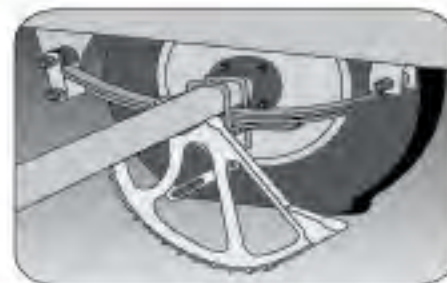
HITCH RECEIVER LOCK



Brass lock hitch receiver lock. Lock and pin type lock with 2 Keys.

Model Number	Part Number	Description
SL52301	5709-0065	Trailer Receiver Lock 2" Pin

EZ-LIFT TRAILER LIFT



Lift and holds boat and camper trailers and other single axle vehicles with wheels from 8" to 15". Two ton capacity. All aluminum construction.

Model Number	Part Number	Description
SL52304	5709-0110	Easy Lift Trailer Jack

COUPLER LOCK



Heat treated trailer coupler lock. Solid construction. Solid brass with stainless steel pin. Two keys included.

Model Number	Part Number	Description
SL52302	5709-0059	Trailer Coupler Lock Brass/SS Pin

TRAILER SAFETY CHAIN



Zinc plated, welded link chain with S-Hooks and retainers. Class II rated safety chain that is acceptable for trailers up to 3,500 lbs Gross Trailer Weight (GTW)

Model Number	Part Number	Description
SL52291	5709-0077	Safety Chain 1/4" X 32" 1-Pc

SCREW TYPE BRASS COUPLER LOCK



Heat treated screw type trailer coupler lock. Solid construction. Solid brass with stainless steel pin. Two keys included.

Model Number	Part Number	Description
SL52300	5709-0056	Trailer Coupler Lock Brass/SS Pin

POLYESTER TRAILER BUNK PADDING



8"x12' (350gm). Marine grade carpet. Weather resistant. Strong acrylic backing.

Model Number	Part Number	Description
SL91884	5709-0146	8"x12" Polyester Trailer Bunk Padding



SELF-CENTERING ROLLER

Made for 12" brackets. Takes the guess work out of centering your boat on the trailer. Embedded grooves to automatically center boat while boat rolls forward. Made of long lasting, non marking polyurethane. 5/8" shaft diameter.



Model Number	Part Number	Description
SL52326	5709-0144	Self Center Roller 12"

POLY BOW ROLLER

Non-marring, molded polymer blend.



Model Number	Part Number	Description
SL52321	5579-0042	Bow Roller Poly 3" x 1/2"

SPOOL ROLLERS

Durable black rubber spool roller for use on most trailer types and sizes.



Model Number	Part Number	Description
SL52320	5709-0142	Spool Roller 5" x 5/8" Blk
SL52319	5709-0348	Spool Roller 4" x 1/2" Blk

SUPER POLY 3-PIECE BOW ROLLER

Allows your boat to roll smoothly onto the trailer, and spins freely to reduce drag while launching your boat.



Model Number	Part Number	Description
SL52323	5709-0134	3-Pc Super Bow Roller Poly 3"

BOW ROLLER - V SHAPE

Durable black rubber spool roller for use on most trailer types and sizes.



Model Number	Part Number	Description
SL52318	5709-0136	Bow Roller Rubber 3" X 1/2" Blk

POLY 3" BOW STOP

Non-marring, molded polymer blend.



Model Number	Part Number	Description
SL52322	5579-0043	Bow Stop Poly 3" x 3-3/4"

BOW GUARD - V STOP

Durable black rubber V-Block for use on most trailer types and sizes.



Model Number	Part Number	Description
SL52315	5709-0138	Bow Guard V Stop - Rubber 2" x 2" Blk
SL52317	5709-0140	Bow Guard V Stop - Rubber 3" x 3" Blk

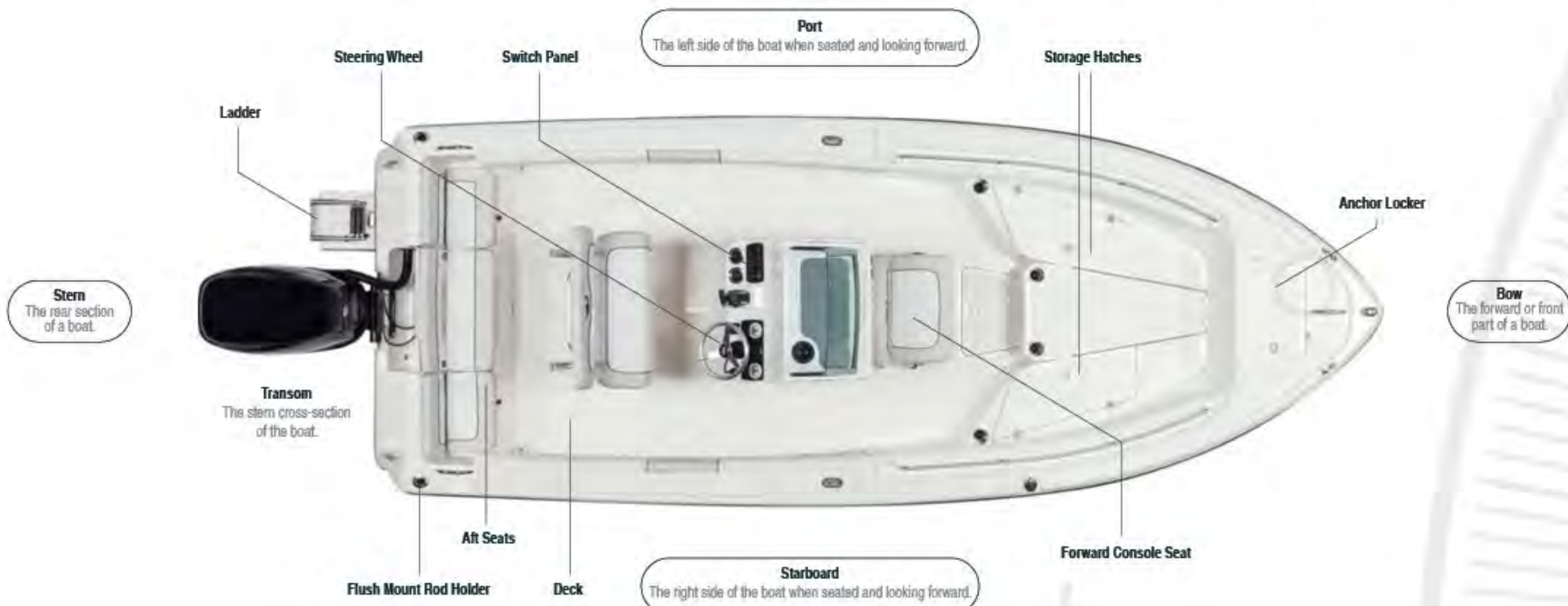
KEEL ROLLER

Built for maximum strength and endurance.



Model Number	Part Number	Description
SL59520	5709-0578	Keel Roller Rubber 12" x 5/8" Blk
SL59520	5709-0579	Keel Roller Rubber 8" x 5/8" Blk

BOAT PARTS



BOAT TYPES

Bass Boat

Bass boats are generally 14' to 23', and typically used for freshwater fishing. They have low freeboard and a V hull. They are specialized for bass fishing on inland lakes and rivers. Due to the special gear, high horsepower outboards and trolling motors they are a relatively high price point.

Bay Boat

Bay boats have a low profile. They are designed for use in shallow waters of large shallow bays, estuaries or near shore. Bay boats are 18'-24' in length and are fiberglass because they are used in salt or brackish waters. They have more freeboard than a flats boat.

Bowrider

A bowrider has an open bow area designed for extra seats forward of the helm. Bowriders are usually 17'-30'. They are powered by either stern drive or outboard engines. They are considered a family boat and can be used for fishing and water sports. A good choice for those new to boating.

Center Console

Center console boats are from 13'-45'. They are so-named because their helm is on a console in the center of the boat. Like walkarounds, the open hull helps anglers walk from bow to stern without having to navigate around the console. Most use outboard motors for propulsion and the larger size boats are suited for offshore fishing.

Cruiser

Cruisers are from 21'-45' in length and have a cabin in the bow of the boat. Cruiser cabins are designed for an overnight stay and are typically large enough for a small galley, several berths and an enclosed head.

Cuddy Cabin

Cuddy cabin boats have a small cabin for storage or a small seating area. They may accommodate a berth and or head. They are usually about 20-30 feet in length.

Deck Boat

Deck Boats have a wide beam and feature a V-shaped hull which offers more performance than a pontoon boat. They feature an open deck with plenty of seating. These are generally party or family boats. They are used for swimming and water sports. They are outboard or stern drive powered and can be aluminum or fiberglass. Generally these boat are about 25-35 feet long.

Dinghy

A dinghy is a small boat, usually 7–12 feet in length. They are usually powered by oars, small outboards, or sails. Often carried or towed by a larger boat for going ashore. Low cost and an excellent choice for those new to boating.

Dual Console

"Dual Console" boats have two dashboards and windshields with space to walk between them for allowing access to the bow area for seating and/or fishing. Lengths run 16–30 feet.

Fish 'n Ski Boat

Fish 'n Ski boats are used for fishing or skiing. These are family boats. They have accessories for each application. They feature comfortable seating and offer livewells and tie downs for rods and have removable, elevated low bars and ski lockers. They are usually 16–24 feet in length.

Flats Boat

Flats Boats range from 14 feet to 18 feet and are specifically designed to navigate shallow waters needing extremely shallow drafts. A push pole is used to navigate the shallow water.

Jon Boat

Jon boats are small utility craft primarily used for boating in shallow water. They range from 10 to 18 feet in length. They can be made of aluminum or fiberglass. They are inexpensive and a good choice for the novice boater.

Pontoon Boat

Pontoon boats have 2 or 3 aluminum tubes that support a broad platform. They have shallow drafts and are very stable. They are usually found on inland lakes and rivers and other small bodies of water. They are used for cruising, fishing and water sports. They are usually powered by an outboard or stern-drive. They come in lengths from 15–30 feet.

Runabout

Many boats are called runabouts. Generally a runabout is defined as a small powerboat somewhere in the 14–24 foot range. They are usually powered by an outboard or stern-drive engine. They are a multipurpose boat suitable for water sports, cruising and fishing.

Ski and Wakeboard Boat

These boats are designed specifically for water sports. They can be ballasted for producing higher wakes for trick skiing and waterboarding. They are also great for pulling inflatable tubes.

Skiff

The skiff is similar to a Jon boat. They are another entry level boat. They are especially good for boating in shallow water. They can have flat or cathedral shaped hulls. Many have a console to steer from.

Utility Boat

Utility boats are usually made for tough use. They are generally aluminum with outboard power. They range from 12–20 feet. Used for fishing or as workboats. Relatively low cost to maintain and a good choice for the novice boater.

Walkarounds

Walkarounds allow an angler to walk around the cabin. They are generally 20–30 feet in length. They are usually found on larger bodies of water and can be powered by an outboard, inboard/outboard or inboard engine.

GLOSSARY OF BOATING TERMS

Aft: Toward the stern of the boat, or closer to the stern than another item being referenced.

Ballast: Weight added to a boat to enhance stability.

Beam: The measurement of a boat's width at its widest point.

Berth: A sleeping area on a boat. Also, a place where a boat is tied up.

Bilge: The lowest section of a boat where water typically collects.

Bimini: A type of folding canvas top used to shield occupants from rain and sun.

Bow: The forward end of any boat.

Bow Line: Dock lines secured to the bow of a boat that limit its movement.

Bulkhead: Typically a transverse structural component in a boat that often supports a deck.

Cabin: An enclosed and protected area on a boat.

Cabintop: The flat or curved deck surface above an enclosed structure on a boat.

Casting Platform: A raised, open deck on a fishing boat used for casting a fishing rod.

Chine: The part of a boat where its hull sides and bottom intersect.

Cleat: A metal or plastic fitting used to securely attach a line.

Coaming: Raised edges, or sides, designed to help keep waves and water from entering a certain area of a boat.

Cockpit: Any semi-enclosed, recessed area that is lower than the surrounding decks, such as the cockpit of a sailboat or a center-console powerboat.

Companionway: An entryway that provides access to the below-decks spaces on a boat.

Console: A raised area above the deck or cockpit that occupants often sit or stand behind while the boat is underway.

Deadrise: The angle of a powerboat hull's "V" shape, usually measured in degrees at the transom.

Deck: Essentially any exposed, flat exterior surface on a boat that people stand on.

Displacement: The weight of water displaced by a boat's hull.

Dock: A flat walkway usually secured to pilings that boats tie up to. Docks can either be fixed or floating.

Dock Line: A line made of braided or three-strand nylon designed to secure a boat along a bulkhead, to a dock, in a slip, or to another boat.

Draft: The total distance a boat penetrates the water, from waterline to keel or appendage bottom.

Dry Weight: The weight of a boat without fuel or water onboard.

Fender: An inflatable cushion used to protect a boat from contact against pilings, docks, piers, bulkheads, or other boats.

Finger Pier: A flat slender walkway that branches out from a dock and divides two slips.

Foredeck: The forward-most deck on a boat.

Forward: Toward the bow of the boat, or closer to the bow than another item being referenced.

Freeboard: The distance between a boat's waterline and the top of its gunwales."

Galley: An area on a boat where food is prepared.

Gunwale: The top edge of a boat's hull sides.

Hardtop: A supported fiberglass or composite roof-like external structure that covers a portion of a boat.

Hatch: The cover or door that closes over any opening in a boat's deck or cabintop.

Head: The bathroom on a boat.

Helm: The area of a boat where the steering and engine controls are located.

Hull: The physical portions of a boat that sit in the water.

Inboard Engine: An engine that is mounted inside the hull of a boat.

Length Overall: The overall length of a boat, as measured from its aft-most to forward-most appendages. Sometimes abbreviated "LOA."

Lifelines: Cables or lines used to prevent people or gear from falling overboard.

Livewell: A specialized compartment on a boat designed to keep fish, shrimp, and other fishing bait alive.

Locker: An area on a boat where gear is stowed.

Mooring: This word refers to multiple forms of tying up a boat. You can call a permanently anchored float with an attachment point a mooring; you can call a docking line a mooring line, and when your boat is tied up in its slip you can say it's moored.

Keel: The lowest portion of a boat's hull as it sits in the water. Also, a hull appendage that improves stability.

Outboard Well: A recessed area on a boat just forward of where an outboard engine is mounted.

Outboard Engine: An engine that is generally mounted to the transom of a boat that has a self-contained engine block, transmission, and lower drive unit.

Piling: A long cylindrical piece of wood or metal driven into the bottom that is used to secure docks in place or to which boats can be tied.

Pod Drive: Inboard engines mounted above articulating drive units that protrude through the bottom of the boat.

Port: The left side of a boat when facing forward.

Propeller: A rotating device that is paired with an engine to propel a boat through the water.

Rigging: The lines and wires that support and help control a spar or mast.

Rubrail: A protective outer element on the hull sides that helps protect the hull from damage.

Rudder: A vertical hull appendage that controls steering.

Scuppers: Deck drains that channel water from rain and spray overboard.

Sheer Line: The outline of a boat's deck at the gunwale or hull-deck joint from bow to stern.

Starboard: The right side of a boat when facing forward.

Stern: The aft-most section of a boat's hull.

Stern Drive: A propulsion system consisting of an inboard engine with a steerable drive system that is mounted to the transom.

Stern Line: Dock line secured to the stern of a boat that limit its movement.

Spring Line: Dock lines used to prevent a boat from moving forward and aft.

Swim Platform: A structure on the stern of a boat designed to make getting in and out of the water easier.

T-Top: A metal structure on a boat that is usually topped with a section of canvas or a hard top to protect occupants from sun, spray, and rain.

Tiller: A wood, metal, or composite handle that is connected to the rudder(s) or a small outboard and used to steer a boat.

Toerail: A wood or fiberglass rail or fiddle located around the outside edge of a boat's deck, usually situated near where the hull sides meet the deck.

Topsides: The portion of a boat's hull that is above the waterline.

Transom: The aft-most section of a boat that connects the port and starboard sections of the hull.

Trim Tabs: Adjustable metal plates on a powerboat's hull bottom or transom that help adjust the boat's running attitude, pitch, and roll as it moves through the water.

Waterline: The line around a boat's hull where it intersects the water.

Waterline Length: The length of the hull where it intersects the water, from bow to stern. Sometimes shortened to "LWL."

WINTER STORAGE TIPS

- 1 CHANGE YOUR OIL**
Any water or acids that have gotten into your oil can corrode the engine. Change the filter and flush it out so that no water remains, then add in the new oil.
- 2 REFRESH THE COOLANT SYSTEM**
Drain out the current coolant, then flush with water. Fill with fresh antifreeze, but make sure you've diluted it to the manufacturer's specifications. This will prevent parts of your engine from freezing and will protect them from corrosion.
- 3 SPRAY WITH FOGGING OIL**
Get your engine turning over without starting it, and while it's still turning over spray fogging oil into the carburetor or through the spark plug holes, whichever way your manual instructs you to do. This will keep your engine's moving parts protected during the winter cold.
- 4 REMOVE DRIVE BELTS**
When kept under tension for long periods of time, your drive belts may crack under the stress. Loosen or remove them entirely before placing in storage.
- 5 GREASE THE STEERING MECHANISM**
Greasing the steering and control mechanisms will make sure that these are moving smoothly when it comes time to take your boat out again. Make sure that joints are well covered with grease.
- 6 DISCONNECT THE BATTERY**
Don't allow your battery to drain and die over the winter. Disconnect the battery and top it off with distilled water. Charge it every once in a while to make sure it's set to go when you hook it back up to your boat.
- 7 FILL YOUR GAS TANK**
Condensation could build up in an empty tank, causing the tank to corrode or creating even worse damage if the condensation freezes. Gasoline stabilizer will make sure your fuel is ready to use when spring comes back around.
- 8 SEAL EXHAUST PORTS ON INBOARD BOATS**
Some inboard powered boats have large exhaust port openings where pests can enter your engine. You can use duct tape to plug these openings.
- 9 TAKE CARE OF THE INTERIOR**
If you have electronics, remove them, as they're vulnerable to extreme cold temperatures and moisture. Any organic materials, including leather, canvas, or any kind of fabric, should be removed, as moisture can cause these to mold and mildew. Empty water tanks, and run antifreeze through water pipes.
- 10 WASH AND WAX**
Thoroughly clean your boat inside and out, then cover the body with wax. Wax will prevent rust from corroding your boat's body, and is particularly important if you plan on storing your boat outside.
- 11 USE A COVER**
A boat cover will protect your boat from dirt, dust, grime and moisture. Covers make sure your boat is as ready to go as possible when the warmer weather months roll back around.

WHERE SHOULD YOU STORE YOUR BOAT?

OUTDOOR STORAGE

PROS

- Cheap or free (if in your own yard)

CONS

- Boat cover mandatory
- Exposed to elements, which can cause wear and tear
- Takes up yard space
- Some may think it is an eyesore
- Must be transported to and from the dock

BOAT STORAGE UNITS

PROS

- Relatively inexpensive
- Will keep your boat protected from the elements
- Storage facilities are widespread and easy to find

CONS

- May require transportation to the dock
- Larger boats will not fit in standard storage unit sizes

DRY STACK STORAGE

PROS

- Boat stays near dock; may not require special transportation
- Often kept in a warehouse, allowing for protection from the elements

CONS

- More expensive than other options
- If not kept in a warehouse, will be vulnerable to winter weather
- Large boats will not fit

INDOOR STORAGE

PROS

- Will keep your boat protected from the elements
- Common perks include free transportation to and from the dock, maintenance, and monitored security
- Requires the least preparation

CONS

- Typically the most expensive option

ONLINE RESOURCES

www.boatus.com // www.discoverboating.com // www.boatsafe.com // www.boatersforlife.com // www.boats.com // www.uscgboating.org



PROPEL

PADDLE GEAR BY SHORELINE MARINE™

CREATE YOUR OWN CURRENT

PROPEL

PADDLE GEAR BY SHORELINE MARINE

PROPEL PADDLE GEAR BY SHORELINE MARINE™

An unabridged line of paddle sports accessories for a more enhanced, customized paddling experience. Paddle sports enthusiasts are a rapidly growing population that turn to the water to exercise, explore and experience the wonders of the natural world. To meet the increasing demand of this growing segment of outdoor enthusiasts, Shoreline Marine®, a trusted name in affordable quality, introduces Propel Paddle Gear by Shoreline Marine®. Designed to empower consumers to customize their own outdoor experiences, Propel Paddle Gear by Shoreline Marine® makes it easy for consumers to maintain, repair and improve their kayaks and SUP boards. Propel Paddle Gear by Shoreline Marine® takes it to the next level with a tiered series of performance paddles engineered to address the needs of each degree of skill - while bringing bold colors and unique patterns to fit paddlers' unique styles.

GRAPHIC SERIES PADDLES	68-69
PADDLES	70-71
GEAR STORAGE	72-73
LIGHTING	74
TRANSPORT	75
SAFETY	76
WATER CONTROL	76
ANCHOR	77
FISHING	77
ACCESSORIES	78-79
STORAGE	79



Ultimate Kayak Bag
Pg 72

Bungee Cord
Pg 73

Nylon Pad Eyes
Pg 73

Kayak Pull Handle
Pg 75



Safety Strobe Light
Pg 74

Rod Floats
Pg 77

Bungee Deck Kit
Pg 73

Kayak Paddles
Pg 68

Rod Holder
Pg 77

Whistle with Lanyard
Pg 76

Recessed Mount
Pg 78

Carry Handle
Pg 75

Rubber Paddle Clips
Pg 73

Paddle and Rod Leash
Pg 73

Safety Flag
Pg 76

Universal Seat
Pg 78

Dry Storage Box
Pg 73

Flush Mount Rod Holder
Pg 77

Anchor Trolley Kit
Pg 77

Nylon Cleat
Pg 77

Scupper Stoppers
Pg 76

Fish Measuring Tape
Pg 77

1.5 lb Folding Anchor
Pg 77

LED Navigation Kit
Pg 74

6" Deck Plate with Bag
Pg 73

GRAPHIC SERIES PADDLES

A30 Series

PRO ALUMINUM KAYAK PADDLE

Shaft Material: Anodized Aluminum Shaft Shape: Straight
Shaft Color: Green/Blue/Teal/Purple/Pink/Gray/Orange

Blade Material: Fiberglass Reinforced Plastic
Blade Shape: Low Angle Tear Drop Blade Color: Black

Grip Color: Black
Additional Features: Drip Guards/Articulating 2 Piece Design



96 IN / 244 CM
SLPG8004 5709-0526



84 IN / 213 CM
SLPG8001 5709-0523
96 IN / 244 CM
SLPG8002 5709-0524



84 IN / 213 CM
SLPG8013 5709-0535
96 IN / 244 CM
SLPG8014 5709-0536



84 IN / 213 CM
SLPG8005 5709-0527
96 IN / 244 CM
SLPG8006 5709-0528



84 IN / 213 CM
SLPG8009 5709-0531
96 IN / 244 CM
SLPG8010 5709-0532



84 IN / 213 CM
SLPG8007 5709-0529
96 IN / 244 CM
SLPG8008 5709-0530



84 IN / 213 CM
SLPG8011 5709-0533
96 IN / 244 CM
SLPG8012 5709-0534

PRO ALUMINUM KAYAK PADDLE

Shaft Material: Anodized Aluminum Shaft Shape: Straight
Shaft Color: Blue or Green

Blade Material: Fiberglass Reinforced Plastic
Blade Shape: Low Angle Tear Drop Blade Color: White

Grip Color: Black
Additional Features: Drip Guards/Articulating 2 Piece Design



84 IN / 213 CM
SLPG8003
5709-0525



96 IN / 244 CM
SLPGA312
5709-0315





A20 Series

PRO ALUMINUM KAYAK PADDLE

Shaft Material: Anodized Aluminum Shaft Shape: Straight
Shaft Color: Silver

Blade Material: Fiberglass Reinforced Plastic
Blade Shape: Low Angle Blade Color: Black

Grip Color: Black

Additional Features: Drip Guards / Articulating 2 Piece Design



87 IN / 220 CM
SLPGA212 5709-0156



A30 Series

PRO ALUMINUM KAYAK PADDLE

Shaft Material: Anodized Aluminum Shaft Shape: Straight
Shaft Color: Blue or Orange

Blade Material: Fiberglass Reinforced Plastic
Blade Shape: Low Angle Tear Drop Blade Color: White

Grip Color: Black

Additional Features: Drip Guards / Articulating 2 Piece Design



84 IN / 213 CM
SLPGA321 5709-0160



96 IN / 244 CM
SLPGA322 5709-0162



F40 Series

PRO FIBERGLASS KAYAK PADDLE

Shaft Material: Fiberglass Shaft Shape: Straight
Shaft Color: Black

Blade Material: Fiberglass Reinforced Plastic
Blade Shape: Low Angle Tear Drop Blade Color: Lime Green

Grip Color: Black

Additional Features: Drip Guards / Articulating 2 Piece Design



85 IN / 215 CM
SLPGF612 5709-0320



PADDLES



96 IN / 243.8 CM - KAYAK PADDLE ROUNDED BLADE

SLPG52247 5709-0168

- Corrosion Resistant Aluminum Construction
- Drip Guards
- High Impact Handle
- Lightweight and Durable



96 IN / 243.8 CM - 2 PIECE FEATHER BLADE KAYAK PADDLE

SLPG77561 5709-0174

- 3-Position System
- 2 Pieces For Easy Transport
- Drip Guards
- Aluminum Shaft
- Lightweight Design
- Corrosion-Resistant
- High-Impact Handles and Molded Blades



KAYAK BASIC PADDLE

84 IN / 213.3 CM SLPG52245 5709-0164

96 IN / 243.8 CM SLPG52246 5709-0168

- 3-Position System
- Drip Guards
- Padded Hand Grips
- Aluminum Shaft
- Lightweight Design



84 IN / 213.3 CM - KAYAK BASIC PADDLE

SLPG52248 039364705955

- 3-position System
- Aluminum Shaft
- Lightweight Design



84 IN / 213.3 CM - KAYAK PADDLE X-II

96 IN / 243.8 CM - KAYAK PADDLE X-II

SLPG52410 5709-0170 SLPG52411 5709-0172

- Corrosion Resistant Aluminum Construction
- Features High Impact Handle
- Drip Guards
- Lightweight and Durable



36 IN / 91.4 CM ALUMINUM PADDLE

SLPG52239 5579-0057

48 IN / 121.9 CM ALUMINUM PADDLE

SLPG52240 5709-0180

54 IN / 137.1 CM ALUMINUM PADDLE

SLPG52242 5579-0058

60 IN / 152.4 CM ALUMINUM PADDLE

SLPG52243 5709-0182

66 IN / 167.6 CM ALUMINUM PADDLE

SLPG52244 5709-0184

- Aluminium Shaft with Durable Blade
- Foam Padding For Comfort
- Lightweight Construction



22 IN - 42 IN / 55.8 CM - 106.6 CM TELESCOPIC MINI PADDLE

SLPG52250 5709-0186

- Adjustable From 22in/55.8cm - 42in/106.6cm
- Aluminium Shaft with Durable Blade
- Fully Adjustable
- Rugged Design
- Corrosion Resistant

PADDLE CUSHION GRIP - 2 PACK

SLPG40235 5709-0080

- Slip Resistant For Better Grip Control
- Self-Adhesive Backing
- Helps Prevent Hand Fatigue



PADDLES



72 IN / 183 CM - ALUMINUM KAYAK PADDLE - YOUTH
SLPG52235 5709-0154

- Corrosion Resistant Aluminum Construction
- Drip Guards
- Lightweight and Durable



48 IN / 121.9 CM - CANOE PADDLE WOOD
SLPG56078 5709-0180

- All the Features the Avid Canoeist Requires
- Lightweight with Excellent Balance



72 IN / 182.8 CM - ALUMINUM OAR
SLPG52249 5709-0188

- Precision Molded Blade
- Heavy Duty Aluminum Shaft
- Fits Standard Oar Locks
- Lightweight Design For Ease of Paddling

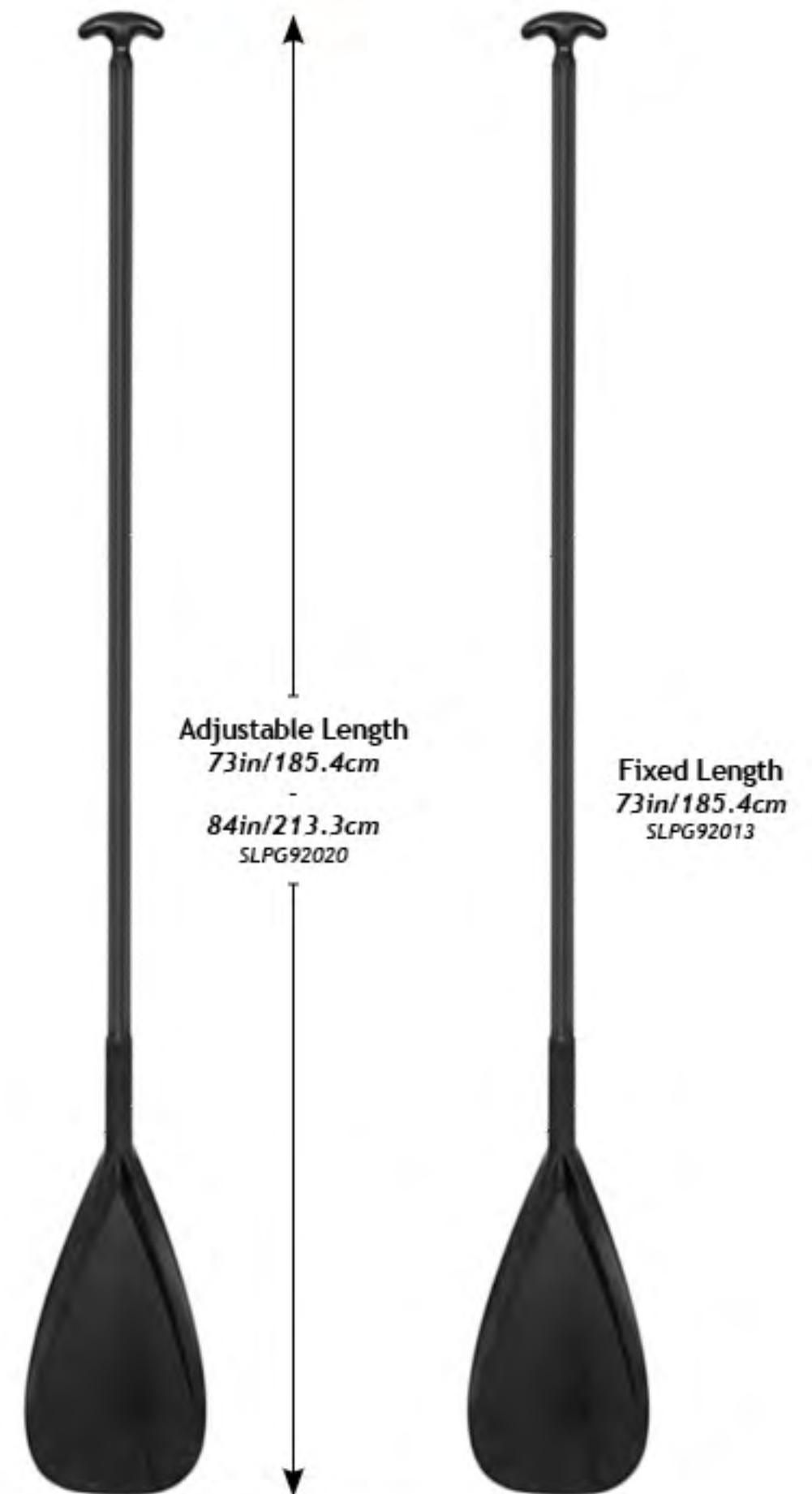


46 IN - 72 IN / 116.8 CM - 182.8 CM
TELESCOPIC PADDLE / BOAT HOOK
SLPG52251 5709-0192

- Adjustable From 46in/116.8cm - 72in/182.8cm
- Safety Item Designed as a Paddle and Functional Boat Hook
- Collapsible and Great for Small Spaces While Still Being Able to Expand to Full-Size
- Keep as a Backup Canoe, Raft or Boat Paddle
- Bright Coloration and Floating Design Make it Easy to Spot and Retrieve

ALUMINUM STAND-UP PADDLE
SLPG92020 5709-0178 - ADJUSTABLE
SLPG92013 5709-0176 - FIXED

- Aluminium Shaft
- Ergonomic T-handle For a Comfortable Grip





GEAR STORAGE



TWO FISHING ROD HOLDERS & TIE DOWN LOOPS



ACCEPTS OPTIONAL CRATE

* Fishing Combos and Accessories Not Included

THE ULTIMATE KAYAK BAG | SLP692012 5709-0220

- Accessory Pouches with Elastic Retainers
- Two Fishing Rod Holders
- Lined Storage Compartment with Heavy Duty Zipper
- Fishing Tray Mesh Pockets (Trays Not Included)
- Tie Down Loops to Secure Bag to Your Kayak
- Water Resistant 1200 Denier Coated Canvas
- Accepts Standard Crate - 13in (33cm) x 13in (33cm) x 11in (27.94cm) (Not Included)

SUCTION CUP TIE-DOWNS - 2 PACK

SLP640231 5709-0198

- Add Custom Lashing Points to the Smooth Surfaces of Your Kayak and Paddle Board.
- Quick Locking and Releasing Lever
- Secures Firmly to Smooth Surfaces
- Spring Locking Clip



4 GAL ROLL-UP DRY STORAGE BAG

SLP676668 5709-0218

- Keep Your Gear Dry and Clean
- Secures By Rolling Down the Top and Fastening the Buckle
- UV Inhibitors



GEAR STORAGE



KAYAK 18 FT BUNGEE CORD SLPG92039 5709-0202

- 18ft (5.49m)
- Securely Holds Equipment on Kayak



BUNGEE DECK KIT SLPG76672 5709-0204

- For Kayaks, Canoes and Small Boats
- Hardware Included
- 8ft (2.4m) Bungee



NYLON PAD EYES SLPG92003 5709-0206

- Includes Stainless Steel Hardware
- Securely Holds Bungee Cord in Place



KAYAK PADDLE HOLDER CORD KIT SLPG92002 5579-0062

- Includes Stainless Steel Mounting Hardware
- Quick Way to Secure Your Paddle
- Works With All Paddles & Push Poles



SUP CARGO NET WITH SUCTION CUPS SLPG92018 5709-0208

- Perfect to Hold Your Gear
- Net Stretches Nearly Double Its Size
- Will Not Damage Your Board



DRY STORAGE BOX SLPG92011 5579-0399

- Watertight Case to Keep Personal Items Safe and Dry
- Great Accessory For Kayaking and SUP
- Complete with Lanyard



KAYAK PADDLE & ROD LEASH SLPG56140 5709-0210

- Prevents Accidental Loss of Paddle and Fishing Rod and Reel
- Extends from 20in (51cm) to 51in (129cm)
- Attaches Easily



KAYAK LASHING HOOKS SLPG40021 5709-0212

- Stainless Steel Hardware
- Nylon Construction, Won't Rust
- Double Mounting Holes for Added Strength



KAYAK PADDLE HOLDER CLIP SLPG92032 5709-0216

- Keeps Your Paddle Secure
- Includes Stainless Steel Hardware
- Fits Most Paddle Sizes



RUBBER PADDLE CLIPS SLPG76670 5709-0214

- Keeps Your Paddle Secured to Your Kayak Deck For Quick Access
- 1.5in (38mm)

6 IN DECK PLATE WITH REMOVABLE BAG SLPG40002 5709-0295

- 6in (15.24cm)
- Large Storage Bag Under Deck Plate
- Pre-Drilled For #8 Fasteners
- Weather Proof Seal
- Includes Stainless Steel Hardware



LIGHTING



LED
BLUE

BLUE
SLPG50048
5709-0230



LED
WHITE

WHITE
SLPG50047
5709-0228

17.5 IN PORTABLE LED FLEX LIGHT WITH BATTERY PACK

- 17.5in (44.5cm)
- Easy Installation
- Water Resistant Construction
- 3M™ Self Adhesive Flexible LED Strip
- 3 'AA' Batteries Included
- Peel and Stick Installation

3M

NO DRILLING REQUIRED / NO WIRING REQUIRED / INSTALLATION IN UNDER 30 SECONDS / RUNS ON BATTERIES



LED
RED

LED
GREEN

LED FLEX LIGHT NAVIGATION KIT SLPG40017 5709-0226

- 2 Bright LED Light Strips
- Helps to Avoid Nighttime Paddle Sports Accidents
- Includes Mounting Track and Stainless Steel Hardware
- Marine Grade LED's



360°



PORTABLE SAFETY STROBE LIGHT SLPG92001 5709-0232

- 3 Modes: On/Off/Strobe
- 360 Degrees Bright White Light Output
- Water Resistant Switch and Housing
- Includes Heavy Duty Locking Pin Mount
- Can Be Used as a "Distress Signal" in Approved Areas
- Includes Stainless Steel Hardware
- Requires 3 'AAA' Batteries (Not Included)

TRANSPORT



MINI KAYAK CARRIER

SLPG40245 5709-0501

- 150lb Carrying Capacity
- This Unique Design Fits into Most Kayaks so You Never Have to Leave Your Kayak Cart on Shore Again!
- "Never Flat" Wheels Ensure the Cart is Always Ready for Use



KAYAK CARRY HANDLE

SLPG77130 5579-0061

- Transport Your Kayak or Canoe With Ease
- Contour Grip Ensures Easy and Comfortable Use
- Stainless Steel Hardware Included



KAYAK CARRY HANDLES 2 PACK

SLPG92037 5709-0234

- Comfortable, Contoured Grip
- Durable, Lightweight Design
- Stainless Steel Hardware Included



KAYAK PULL HANDLE

SLPG40035 5709-0236

- 4.4in (11.2cm)
- Comfortable, Contoured Grip
- Durable, Lightweight Design



HOOD TRUNK TIE-DOWN LOOP

SLPG92022 5709-0238

- Add a Lashing Point to Any Vehicle
- Secures to the Hood or Trunk of Most Vehicles
- Quick, Easy Placement and Removal

CANOE CARRIER WITH STRAPS

SLPG52108 5579-0058

- 4 Foam Blocks
- 2 Adjustable Buckle Straps
- Includes Mesh Storage Bag
- Universal
- 40ft (12m) Rope



SUP CAR CARRIER KIT

SLPG92015 5709-0287

- 4 Foam Blocks
- 2 Adjustable Buckle Straps
- Includes Mesh Carrying Bag
- Securely Hold Your Paddleboard During Transportation



KAYAK CAR TOP CARRIER KIT

SLPG58973 5579-0055

- 2 Foam Blocks
- 2 Adjustable Buckle Straps
- 40ft (12m) Rope
- Includes Storage Bag



SAFETY + WATER CONTROL



KAYAK SCUPPER STOPPERS

2 PACK - SLP640036 5709-0244

4 PACK - SLP692031 5709-0246

- Plug Scupper Holes in Your Kayak
- Stay Dry While Paddling
- Fits Most Scupper Holes
- 1 1/4in - 2in (32mm - 51mm)



SAFETY FLAG WITH MOUNT

SLPG92033 5709-0248

- Plugs into Universal Rod Holder Mount
- Comes Complete with Mount, Telescopic Aluminum Pole and Flag
- Telescopes to 48in (122cm) and Stows Easily

TELESCOPES TO
48 IN
(122 CM)



KAYAK SPONGE WITH LANYARD

SLPG92005 5709-0242

- Elastic Hang-Loop Allows You to Attach to Your Kayak
- Soak Up Small Amounts of Water in Hard to Reach Places



WHISTLE WITH LANYARD

SLPG40030 5709-0252

- Whistle Blows Wet or Dry
- Clip for Quick Access
- Floats if Dropped Overboard

18" MANUAL HAND PUMP

SLPG40244 5709-0200

- Floating Design
- Includes 18in (45.7cm) Long Removable Hose
- Reliable Hand Operation



ANCHOR + FISHING



KAYAK ANCHOR TROLLEY KIT SLPG40020

5709-0250

- Easily Make Anchor Adjustments without Standing
- Fits Up to 16ft (4.87m) Kayaks
- Includes Everything Needed for Installation



3.5 IN NYLON ZIG ZAG CLEAT

SLPG76667 5709-0256

- Stainless Steel Hardware
- Black Nylon Construction, Won't Rust
- Double Mounting Holes for Added Strength
- 3.5in (8.9cm)



KAYAK CLEAT QUICK GRIP - 2 PACK

SLPG76673 5709-0258

- Lightweight and Strong • Excellent Holding Power
- Easy Release
- Holds lines 5/32in (4mm) - 5/16in (8mm)



1.5 LB FOLDING ANCHOR KIT

SLPG40003 5709-0252

3 LB FOLDING ANCHOR KIT

SLPG50298 5709-0543

- Unique Folding 4 - Fluke Design
- Includes 30ft (9.1m) 3/16in (4.8mm) Nylon Line
- 5/16in Anchor Shackle



4 IN KAYAK NYLON CLEAT

SLPG76671 5709-0260

- Black Nylon
- 4in (10cm)
- Includes Stainless Steel Mounting Hardware



FISH MEASURING TAPE

SLPG91889 5709-0262

- 48in (122cm) in Length
- Water Resistant
- Adhesive Backing



KAYAK FISHING ANCHOR KIT

SLPG40034

5709-0194

- Folding 1.5lb (0.68kg) Anchor
- 50ft (15.2m) Anchor Line
- Trolley Line Allows For Easy Anchor Adjustments
- Easy to Install
- Includes Anchor Trolley, Hardware, and Storage Bag



KAYAK FLUSH MOUNT ROD HOLDER

SLPG40037 5709-0264

- Includes Gasket and Cap
- High Impact Construction
- Inside Diameter: 1-5/8in (41.3mm)



ROD FLOATS

SLPG92027 5709-0266

- Slips Easily Onto Your Rod and Secures with Hook and Loop Straps
- Will Keep Your Rod Afloat if Dropped in the Water



SAND ANCHOR WITH BUOY & SNAP HOOK

SLPG50740 5709-0542

- Great for Shallow Water Anchoring
- For Canoes, Kayaks, PWC's and Other Small Craft
- Giant Snap Hook & Buoy for Easy Anchor Locating & Tie Ups
- 6ft Braided Line
- Fill With Up to 35lb of Rocks or Sand



KAYAK ROD HOLDER

SLPG40029 5709-0268

- Easily Mounts to Kayaks
- High Impact Construction
- Stainless Steel Hardware Included

Included Base is Compatible with the Following Propel Accessories:

- Kayak Rod Holder (Shown Right)
- Universal Drink Mount (pg12)
- Universal Camera Mount (pg12)
- Universal GPS and Camera Mount (pg12)
- Safety Flag (pg9)



ACCESSORIES



KAYAK PADDLE DRIP RINGS - 2 PACK SLPG76674 5579-0060

- Fits 1in Diameter Paddle Shaft
- Quality Construction
- Keeps Hands Dry While Paddling



PADDLING HALF SKIRT - MEDIUM SLPG60149 5579-0003

- Medium: 22in L for up to 50in L Cockpits
- Dual Pockets For Extra Storage
- Ideal For Splash Protection
- Implosion Bar to Shed Water



FOOT BRACES SLPG50027 5709-0270

- A Great Addition to Your Kayak
- Lightweight and Easy to Install
- Comfortable, and Adjusts Quickly



KAYAK PULL-UP STRAP SLPG40236 5709-0196

- Assist with Sitting Down and Standing Up
- Loop Handle
- Easy to Install



CANOE & KAYAK CUSHION SLPG92025 5709-0276

- Compatible with any Canoe or Kayak
- Lightweight and Portable for use Anywhere
- Long Lasting EVA Foam Construction



UNIVERSAL KAYAK SEAT SLP692023 5709-0274

- Fits Most Sit-On-Top Kayaks • Improves Comfort and Back Support
- Zippered Gear Compartment on Back • Adjustable Straps For a Perfect Fit



UNIVERSAL DRINK MOUNT SLPG50044 5709-0278

- Holds a Variety of Beverage Containers
- Take Your Favorite Beverage On the Water
- Lure and Hook Holders For Quick Access To Your Rigging Essentials



UNIVERSAL CAMERA MOUNT SLPG50040 5709-0280

- Positions Easily
- Threaded Screw Fits Standard Camera Mounting Port
- Capture the Action On the Water During Your Adventures



UNIVERSAL GPS/PHONE MOUNT SLPG50042 5709-0282

- Fits Most Cell Phones and Hand Held GPS Systems
- Position in Any Angle
- Includes Adjustable Lanyard
- Fully Compatible With Touch Screens
- Waterproof
- Includes Universal Base



WATERPROOF FLOATING CELL PHONE POUCH SLPG35066 5709-0540

- Built-in Air Pocket to Keep the Pouch Afloat
- Includes Adjustable Lanyard
- Fully Compatible With Touch Screens
- Waterproof
- Large 9 1/4 in x 4 5/8 in

STORAGE



SUP ANKLE LEASH

- SLPG92016 5709-0272**
- Paddle Board Collar Ankle Leash
 - Coiled Line for Low Drag
 - Comfortable and Adjustable Ankle Strap
 - Prevents Rider and Board from Separating
 - Stretches From 52in - 104in

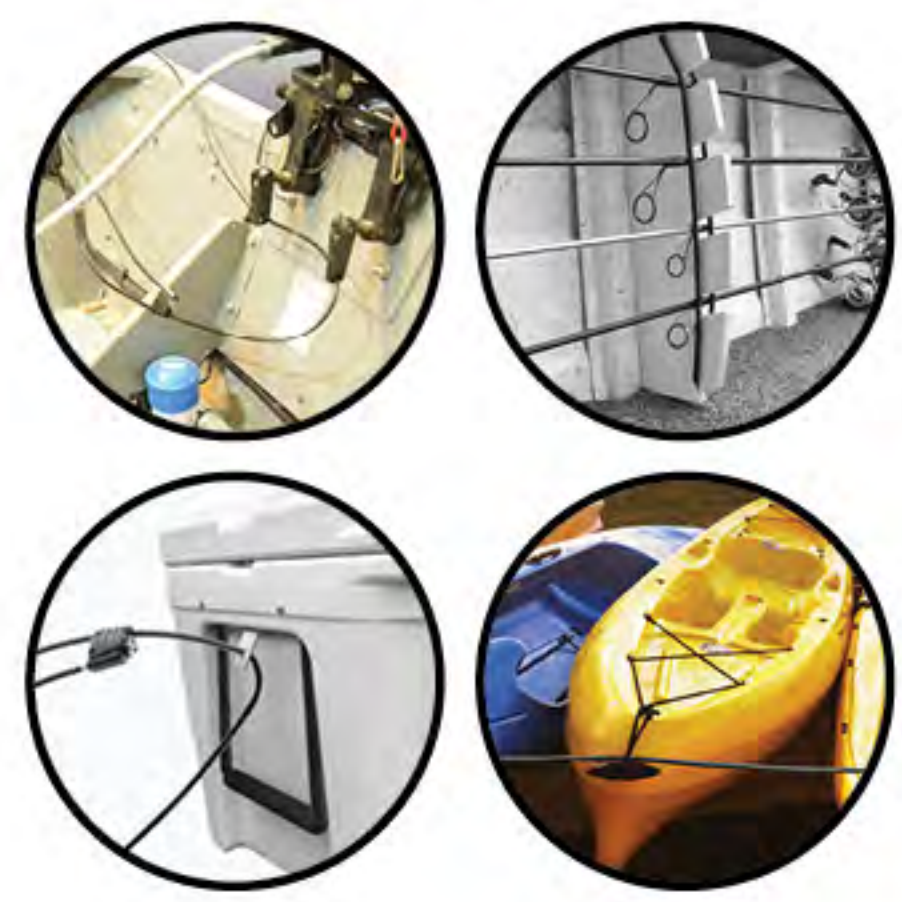


RETRACTABLE CABLE LOCK

- SLPG54541 5709-0553**
- 4-dial Resettable Combination Lock
 - A Rugged 57" Retractable 5/64" Vinyl Coated Braided Cable Provides Enough Length for Securing Multiple Items
 - 1/4" Stainless Steel End Fits Through Eye Straps, Handles, Fishing Reel Frames, Grommets and More
 - Lock-up Your Canoe, Kayak, SUP to Your Vehicle or Trailer When Traveling

MARINE LOCKING CABLE

- SLPG40234 5709-0194**
- 6.5ft (1.98m) Vinyl Coated Braided Steel Cable
 - Rust Resistant Design
 - Designed for Marine Use



KAYAK STORAGE STRAP LOOP KIT

- SLPG76669 5709-0224**
- Keeps Your Kayak Up and Out Of the Way
 - Holds Up To 220lbs
 - Includes Stainless Steel Hardware



KAYAK STORAGE STRAPS

- SLPG59646 5709-0222**
- Keeps Boat Off the Ground and Out of the Way
 - Includes 2.5in Lag Bolts for Easy Secure Mounting
 - Each Strap Holds 150lbs



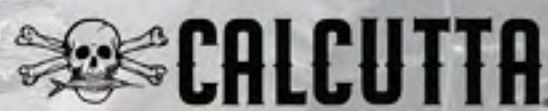


**CALCUTTA
OUTDOORS**

Experience all the great products
from the Calcutta Outdoors family
of outdoor sporting goods brands
at CalcuttaOutdoorsLLC.com



BILLFISHER

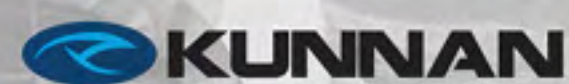


CELSIUS

Danielson

GOT-CHA

HQ OUTFITTERS



PROPEL
PADDLE GEAR



SOUTH BEND
SINCE 1908

STAR RODS