

ANCHORKIT

Assembly Manual



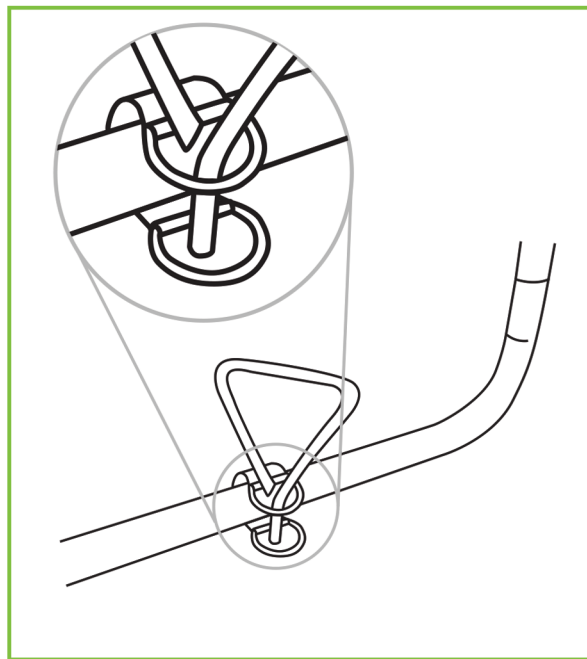
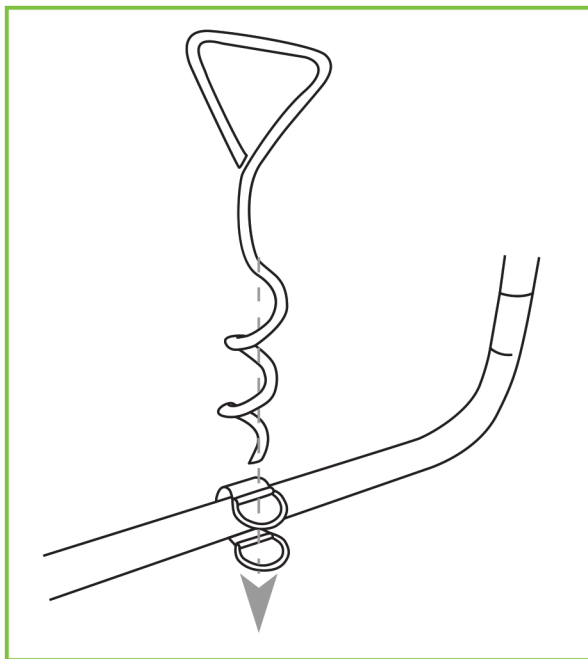
v1.0

ANCHORKIT

01

Loop the webbing buckle around the bottom of your Jumpflex Trampoline foot frame. Feed the spiral AnchorKit stake through the webbing buckle and then screw it firmly into the ground.

Repeat this for AnchorKits on alternate sides of the Trampoline.



Warning: The Jumpflex AnchorKit is only a preventative measure and Jumpflex does not claim or guarantee the AnchorKit will prevent your Trampoline and or property from sustaining damage of any kind.

Wind conditions can change frequently, please take extra precautions if winds are strong..