

AMBRANE

*Now Style like
Salon at home*

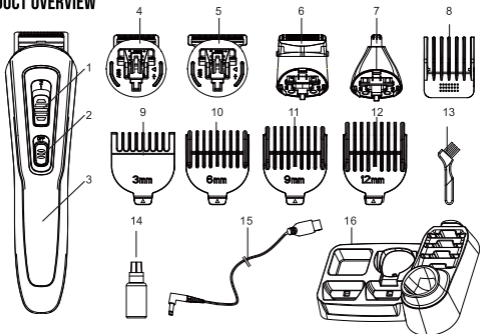


CRUISER LITE GROOMING KIT

USER MANUAL

Thank you for choosing the Cruiser Lite Grooming Kit. Before using the product, please read the manual carefully and follow the instructions to operate properly.

PRODUCT OVERVIEW



Parts Indicator:

- | | |
|--------------------------------------|-------------------------------|
| 1.Toggle Button for blade adjustment | 9.3mm comb for Body Groomer |
| 2.Power On/ Off switch | 10.6mm comb for Body Groomer |
| 3.Battery Indicator | 11.9mm comb for Body Groomer |
| 4.Hair Trimmer | 12.12mm comb for Body Groomer |
| 5.Body Groomer | 13.Brush |
| 6.Foil Shaver | 14.Oil |
| 7.Ear & Nose Trimmer | 15.USB cable |
| 8.Comb for Hair Trimmer | 16.Storage Stand |

OPERATING INSTRUCTIONS

Note before using: Before using it, make sure it is completely charged.

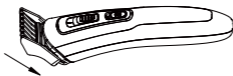
Connect USB side of the charging cable to your regular adaptor (5V/1A) and plug-in the other side at the bottom of trimmer. While charging, the indicator will light up in red colour. The charging time is 1.5 hours and when fully charged, it can be used for about 1.5 hours. Make sure the trimmer is in OFF state before charging it.

Push the switch button to ON to turn on the trimmer.

How to use combs attachments:

For Hair Trimmer:

1. Comb installation: Install the comb along two sides of the hair trimmers head and make sure at the time of installation trimmer is in switch OFF mode. (see picture):



2. Manually push comb and adjust the gear, there are 5 gears as options (see picture):



For Body Groomer:

1. Make sure the trimmer is in OFF state before changing it. There are four comb attachments of 3,6,9 &12mm respectively for different length cutting (see picture):

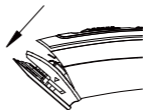


2. Push the comb button as shown in the picture:

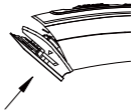


Maintenance of the blades:

1. Hold the handle of the trimmer firmly and push the upper part of the blade away from the lower trimmer body.

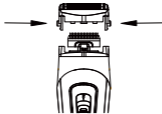


2. Using the brush, clean the blade in order to remove hair which may be caught between the blades. Lubricate the space between the stationary and moving blades with 2 or 4 drops of oil after every few uses. To reassemble, push the blades until they click firmly into position.



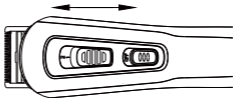
Maintenance of the foil shaver:

Hold the handle of the trimmer firmly and push two-point of the frame as shown in the picture, then take it off and clear it with the brush.



HOW TO USE THE TOGGLE BUTTON:

Push the toggle Button up or down to adjust the moving blade part for different lengths cutting. It can only be used with the hair trimmer or body groomer.



TECHNICAL SPECIFICATION:

Motor Voltage:DC3.6V
Charging Time: 1.5H
Capacity:650mAh

Rating Voltage:3.6V
Discharge Time:> 1.5H
Cell Type: Lithium Cell

CAUTIONS:

- Don't use it while charging.
- Don't charge if the temperature is lower than 0° C or higher than 40° C
- Don't keep it in sunlight.
- Clean the trimmer with a cloth dampened with water or a mild soap solution. Never user a caustic solution.
- Never submerge it in water.
- Keep it away from the children.
- It may get hot during operation &/or charging which is quite normal.
- Don't hold the charging cable.
- Make sure to charge it at least once in a year to keep the battery in active condition.

PLEASE NOTE:

This appliance is not intended for use by persons (including children) with reduced physical, sensory or mental capabilities or lack of experience and knowledge unless they have been given supervision or instruction concerning use of the appliance by a person responsible for their safety; Children should be supervised to ensure that they do not play with the appliance.

To prevent possible harm to the environment or human health from uncontrolled waste disposal, such as the unused batteries and motors etc. recycle them responsibly to promote the sustainable reuse of material resources. To return your used device, please use the return and collection systems or contact the retailer where the product was purchased. They can take this product for environmentally safe recycling.

WARRANTY CARD AND TERM & CONDITIONS

NOTE: To Claim the warranty, all information on the warranty certificate should be completed along with original invoice.

- All warranty information, product features and specifications are subject to change without prior notice.
- All matters are subject to Delhi Jurisdiction.

SAFETY WARNING

- For your continued safety and to reduce the risk of injury or electric shock, please follow all the safety precautions listed below.
- This appliance can be used by aged from 18 years and above and persons with reduced physical, sensory or mental capabilities or lack of experience and knowledge if they have been given supervision or instruction concerning use of the appliance in a safe way and understand the hazards involved. Children shall not play with the appliance.
- Cleaning and user maintenance shall not be made by children without supervision.
- Never pull the charger cable to unplug the appliance.
- Always check the blades for alignment before use.
- Do not use the appliance if the blades are damaged.
- The appliance can become hot during use, only use for a maximum of 30 minutes then allow to cool for 30 minutes.
- The appliance is only intended for clipping human hairs. Do not use this appliance for any other purpose.

- Always check the appliance for damage prior to use. If any damage is observed, do not use the appliance.
- This appliance and charger have no user serviceable parts. Do not attempt to access the appliance covers.
- This appliance is for personal use only. It is not suitable for commercial use.
- Do not place the appliance on or near a heat sensitive surface.
- Keep the appliance dry.
- Do not use the appliance or handle the charger with wet hands.

| | | | |
|----------------------------------|--|----------------|--|
| Customer's Name | | Contact Number | |
| Customer's Address | | | |
| Model No. | | | |
| Name of Distributors/ Dealers | | Contact Number | |
| Address | | | |
| Purchase Date | | Invoice Number | |
| Dealer's Stamp | | | |

- Cruiser lite Grooming Kit comes with 365 days warranty from the date of purchase.
- Warranty can not be claimed if the product is damaged by wrong operation or force majeure.
- Accessories supplied with Cruiser lite Grooming Kit are not covered under the warranty.

CUSTOMER CARE:

Ambrane India Pvt. Ltd.

224, Second Floor, D-Mall, Netaji Subhash Place,
Delhi; India - 110034, Contact No.: +91 1145911111,

E-mail: care@ambraneindia.com

Web: www.ambraneindia.com

   /ambraneindia