



## WHICH WINDOW HARDWARE DO YOU NEED?

Window Detail	Strand Duoflex Folding Openers			Strandflex Folding Openers		Lokkits		Strand Manual System	
	STRDUO1	STRDUO2	STRDUO3	WX4160T WX8160T WX8260T	WX4160P WX5180P	Lokkit Stay	Double Lokkit Kit	Strand Manual	Strand Electric
Windows above 3m, in a deep reveal or hard to reach								✓	✓
Top hung opening out	✓	✓	✓	✓	✓	✓	✓	✓	✓
Side hung opening out								✓	✓
Bottom hung opening in								✓	✓
Small light bottom hung opening in								✓	✓
Small light top hung opening out	✓	✓	✓	✓	✓	✓		✓	✓
Centre pivoted	✓	✓	✓	✓	✓	✓	✓	✓	✓
Top hung opening out in roof pitch									✓
Window up to approx 500mm wide	✓	✓	✓	✓	✓	✓		✓	✓
Window over approx 500mm wide	✓	✓	✓				✓	✓	✓
Fold back feature to avoid vertical or horizontal blinds				✓	✓				
Metal (aluminium, steel) window		✓						✓	✓
Timber window	✓			✓		✓	✓	✓	✓
PVC-U (plastic) window			✓		✓			✓	✓
Suitable for pole operation	✓	✓	✓			✓	✓		

The above is intended as a guide only and individual product information should be consulted for greater detail. For pole operation of the Duoflex when used with 2 or 3 openers, a link bar and a centre ring should be fitted.

# STRAND DUOFLEX

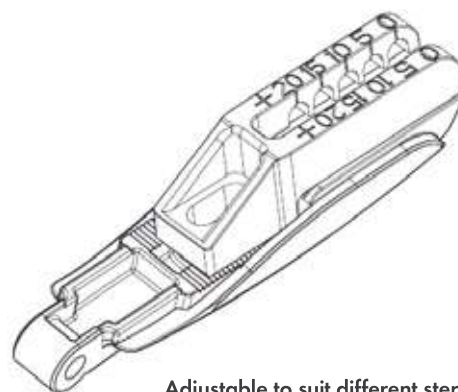


## Application

- Top hung, opening out windows.
- Opening out sashes made from Timber, Aluminium, Steel and PVC-U. (no fixing screws supplied).

## Description

- Stylish design and simple to adjust to accommodate different steps.
- With an adjustable body - No need for packers.
- 150mm throw, folding action to open and close sash.
- Over centre design means opener 'locks' securely into place when window is closed.
- Link bars available in various lengths depending on sash width.



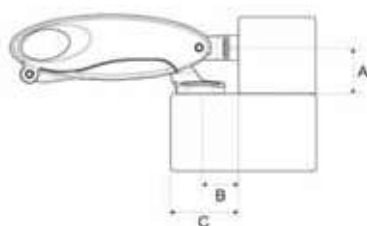
Adjustable to suit different steps

## Technical Data

- Cycle tested to over 100,000 operations.
- Patent Approved GB2490896.

## STRDU01 Recessed

- For Timber frames

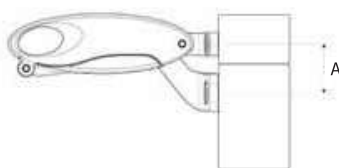


A = Fixing centre to frame 25mm  
 B = Fixing centre to Sash 19mm  
 C = Minimum frame width required 38mm



## STRDU02 Flush

- For Aluminium or Steel frames

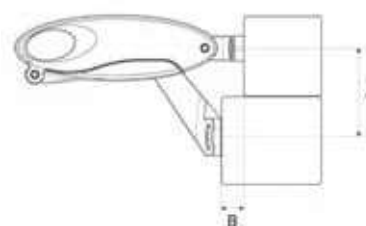


A = Distance between fixing centres 29mm  
 Step (see B to the right) 0-10mm can be accommodated



## STRDU03 Stepped

- For PVC-U frames



A = Distance between fixing centres 48mm  
 B = Step from face of sash to face of frame 16mm  
 Step 0-26mm can be accommodated





**Depending on size of the window one, two or three openers may be required:**

- Single opener: Sash width up to 500mm.
- Two openers plus link bar (comes with end caps) for sash width 600mm to 900mm.
- Three openers plus link bar (comes with end caps) for sash width 900mm to 1500mm.
- We recommend that the link bar is approximately 2/3 to 3/4 of the sash width.

**Other Points:**

- Link bar will divide the opening gap in half which means that the opening will effectively become approximately 75mm which is well within the guidelines for 2nd storey and higher windows.
- A minimum sash height of 250mm is required where butt hinges are fitted or 400mm where friction hinges are used.
- Pole operated openers are not recommended for windows above 3m from finished floor level or where windows are in a deep reveal.

**Options:**

- Link bar STRBA (Standard link bar sizes: 300mm, 600mm, 900mm, 1000mm, 1200mm).
- Centre ring STRX02 may be used.
- Pole operation for high level windows;
  - 1 metre - X02801011
  - 1.5 metre - X02801511
  - 2 metre - X02802011



Pole Operator

**Note:**

To use pole with a single opener please order STRX02 centre ring and extension piece.

## Finishes



Silver Grey (EPS) 20



Satin stainless steel plated (SSSP) 44



Polished Brass Plated (PBP) 43



White (EPW) 25

