



STUDIO Rondo

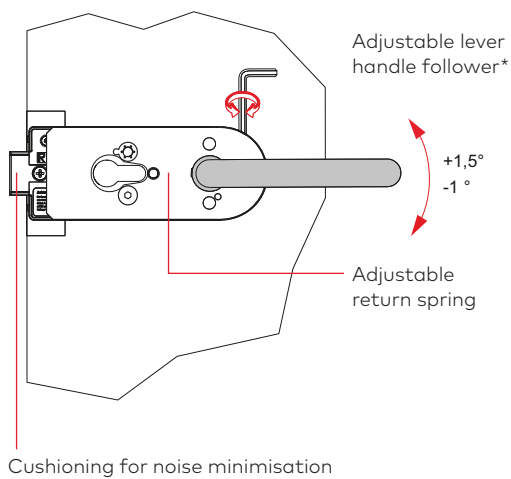
Technical features

- Lock insert with low-noise "whisper" functionality as standard. The whisper latch (study metal latch – partially plastics-sheathed and damped latch motions for noise minimisation) satisfy particularly high expectations. Adjustable lever handle follower $+ / -1^\circ$, patent pending, for avoidance of "lever handle sag" (droop). Further on a special spring supported clamp follower holds the lever handle perfectly secure.
- The fully closed lock case provides optimum protection for the internal components which themselves are of rugged unit construction.
- Locks comply to the current DIN EN 12209.
- Moreover these locks were tested successfully by a neutral testing institute with 200,000 latch and 200,000 locking bolt operating cycles.

Lock features	STUDIO Rondo	STUDIO Classic	STUDIO Gala 2.0	STUDIO Arcos
Adjustable lever handle follower from + 1.5° to - 1° for avoidance of „lever handle sag“ droop	●	●	●	●
Low-noise “whisper” functionality	●	●	●	●
Adjustable return spring	●	●	●	●
Spring-assisted clamp follower	●	●	●	●
Compliance approval to EN 12209	●	●	●	●
Lock types				
Non-locking latch	●	●	●	●
Non-locking latch, with levers forward*	●*	●*	●*	●*
Prepared for Europrofile cylinder	●	●	●	●
Prepared for KABA cylinder	●	●	●	●
Warded lever lock with nightlatch function	●	●	●	●
Bathroom lock function	●	●	●	●

* For all lock designs with the exception of „non-locking latches – handles to the front of the lock case“.

New standard lock functions



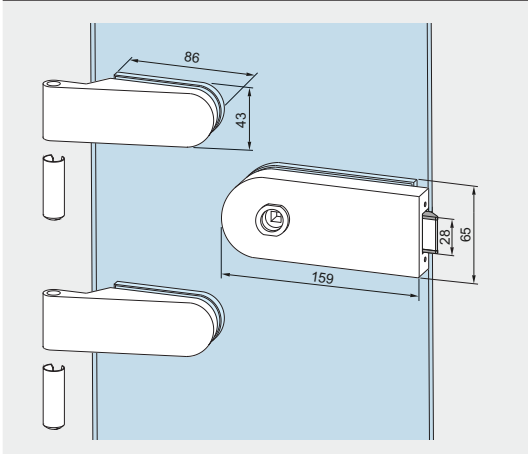
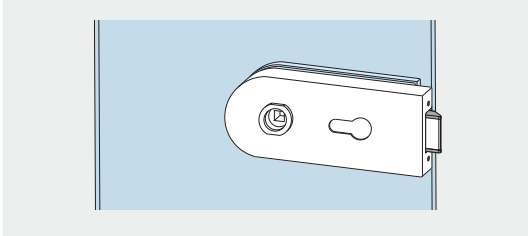
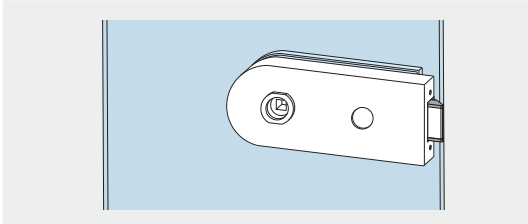
Complete doorsets for 8 and 10 mm glass thickness, locks with follower

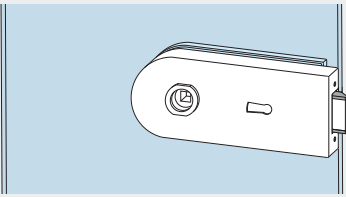
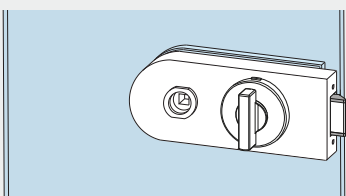
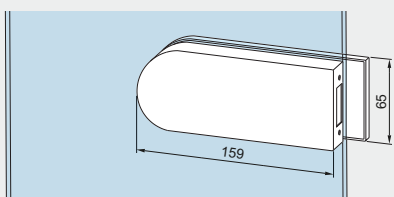
Complying to DIN EN 12209 (see page 6).

Door weight max. 45 kg, door width max. 1,000 mm.
 Rebate depth 24 mm (for 8 mm glass thickness),
 26 mm (for 10 mm glass thickness).

Prepared for all levers without roses with 8 mm square spindles, spindle length for 44 mm lock thickness and 18 mm Ø follower, max. 8 mm long.

Hinges also to suit doors with no over-rebate and prepared for rebate depth 28 – 40 mm see page 21 and following.

	Product description	Glass thickness	Art. No.
	Lock with 2 hinges non-locking lock, hinges with sleeves, extended colour options Weight in kg: alumin. 1.580 brass 2.485	8 mm 10 mm	10.100 10.130
	Lock with 2 hinges non-locking lock for lever forward, hinges with sleeves, extended colour options Weight in kg: alumin. 1.625 brass 2.505	8 mm 10 mm	10.101 10.131
	Lock with 2 hinges lock prepared for Europrofile cylinder, nightlatch function, hinges with sleeves, extended colour options Weight in kg: alumin. 1.565 brass 2.465	8 mm 10 mm	10.102 10.132
	Lock with 2 hinges lock prepared for KABA, nightlatch function, hinges with sleeves, extended colour options Weight in kg: alumin. 1.563	8 mm 10 mm	10.108 10.129

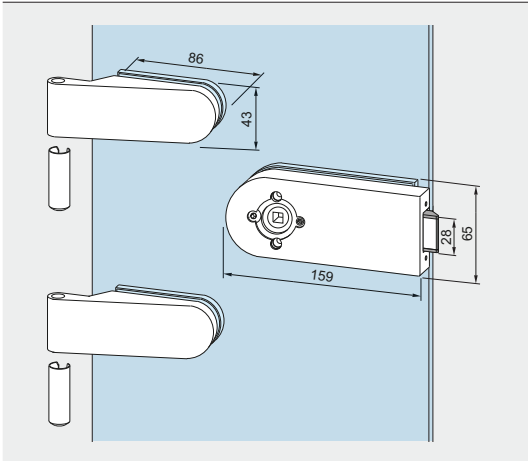
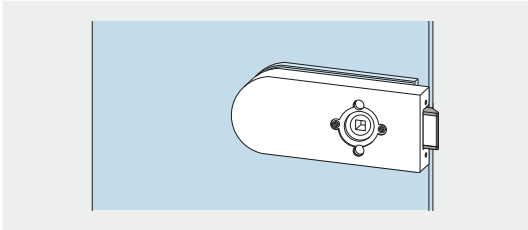
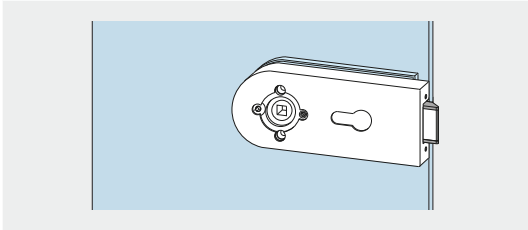
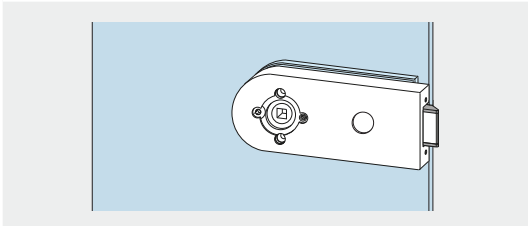
	Product description	Glass thickness	Art. No.
	<p>Lock with 2 hinges lever lock, nightlatch function, 2 keys supplied, hinges with sleeves, extended colour options</p> <p>Weight in kg: alumin. 1.630 brass 2.530</p>	8 mm 10 mm	10.103 10.133
	<p>Lock with 2 hinges WC-toilet door, hinges with sleeves, extended colour options</p> <p>Weight in kg: alumin. 1.745 brass 2.755</p>	8 mm 10 mm	10.106 10.134
	<p>Strike box with 2 hinges for pairs of doors, hinges with sleeves, extended colour options</p> <p>Weight in kg: alumin. 1.380 brass 2.295</p>	8 mm 10 mm	10.120 10.125

Complete doorsets for 8 and 10 mm glass thickness, locks for levers with roses

Complying to DIN EN 12209 (see page 6).

Door weight max. 45 kg, door width max. 1,000 mm.
 Rebate depth 24 mm (for 8 mm glass thickness),
 26 mm (for 10 mm glass thickness).

Hinges also to suit doors with no over-rebate and prepared for rebate depth 28 – 40 mm see page 21 and following.

	Product description	Glass thickness	Art. No.
	Lock with 2 hinges non-locking lock, hinges with sleeves Weight in kg: alumin. 1.580	8 mm 10 mm	10.110 10.135
		Lock with 2 hinges non-locking lock for lever forward, hinges with sleeves Weight in kg: alumin. 1.585	8 mm 10 mm
	Lock with 2 hinges lock prepared for Europrofile cylinder, nightlatch function, hinges with sleeves Weight in kg: alumin. 1.565	8 mm 10 mm	10.112 10.137
	Lock with 2 hinges lock prepared for KABA, nightlatch function, hinges with sleeves Weight in kg: alumin. 1.563	8 mm 10 mm	10.118 10.139

	Product description	Glass thickness	Art. No.
	<p>Lock with 2 hinges lever lock, nightlatch function, 2 keys supplied, hinges with sleeves</p> <p>Weight in kg: alumin. 1.575</p>	8 mm 10 mm	10.113 10.138
	<p>Strike box with 2 hinges for pairs of doors, hinges with sleeves</p> <p>Weight in kg: alumin. 1.380</p>	8 mm 10 mm	10.120 10.125

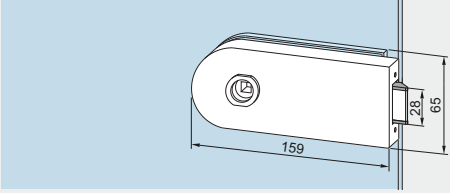
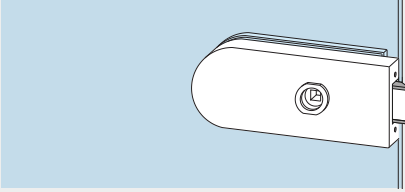
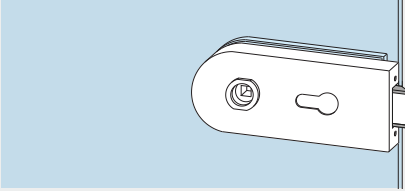
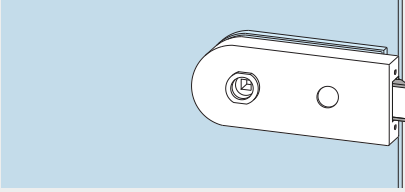
Locks with follower

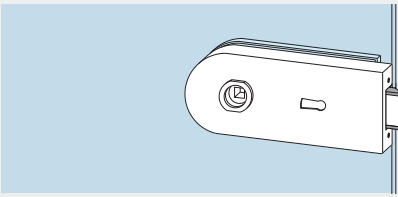
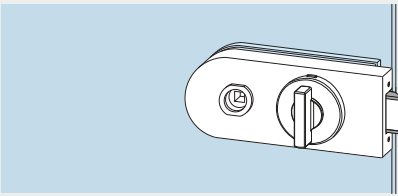
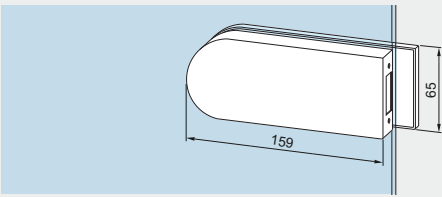
Complying to DIN EN 12209 (see page 6).

Locks for 8 mm glass thickness / 24 mm rebate depth,
10 mm glass thickness / 26 mm rebate depth resp.

Prepared for all levers without roses with 8 mm square spindles, spindle length for 44 mm lock thickness and 18 mm Ø follower, max. 8 mm long.

Hinges also to suit doors with no over-rebate and prepared for rebate depth 28 – 40 mm see page 21 and following.

	Product description	Art. No.
	<p>Lock non-locking, extended colour options</p> <p>Weight in kg: alumin. 0.840 brass 1.055</p>	10.200
	<p>Lock non-locking, with follower forward, extended colour options</p> <p>Weight in kg: alumin. 0.845 brass 1.055</p>	10.201
	<p>Lock prepared for Europrofile cylinder, nightlatch function, extended colour options</p> <p>Weight in kg: alumin. 0.815 brass 1.030</p>	10.202
	<p>Lock prepared for KABA, nightlatch function, extended colour options</p> <p>Weight in kg: alumin. 0.813</p>	10.207

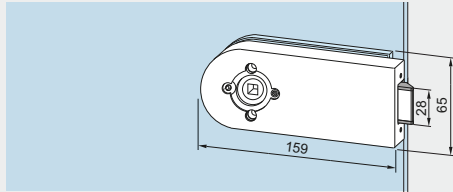
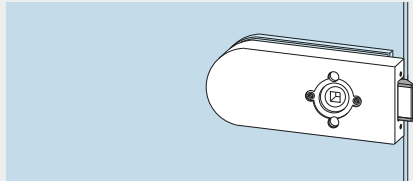
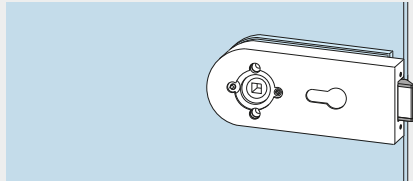
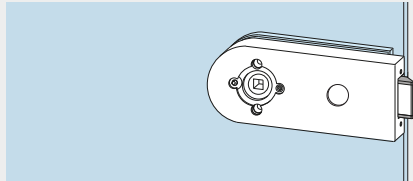
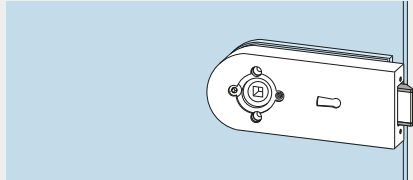
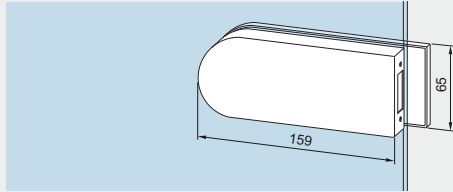
	Product description	Art. No.
	<p>Lock lever lock, nightlatch function, 2 keys supplied, extended colour options</p> <p>Weight in kg: alumin. 0.850 brass 1.090</p>	<p>10.203</p>
	<p>Lock WC-toilet door, extended colour options</p> <p>Weight in kg: alumin. 1.106 brass 1.398</p>	<p>10.206</p>
	<p>Strike box for pairs of doors, extended colour options</p> <p>Weight in kg: alumin. 0.610 brass 0.903</p>	<p>10.220</p>

Locks for levers with roses

Complying to DIN EN 12209 (see page 6).

Locks for 8 mm glass thickness / 24 mm rebate depth,
10 mm glass thickness / 26 mm rebate depth resp.

Hinges also to suit doors with no over-rebate and prepared for rebate depth 28 – 40 mm see page 21 and following.

	Product description	Art. No.
	<p>Lock non-locking, extended colour options</p> <p>Weight in kg: alumin. 1.580 brass 2.485</p>	<p>10.210</p>
	<p>Lock non-locking, with follower forward, extended colour options</p> <p>Weight in kg: alumin. 1.625 brass 2.505</p>	<p>10.211</p>
	<p>Lock prepared for Europrofile cylinder, nightlatch function, extended colour options</p> <p>Weight in kg: alumin. 1.565 brass 2.465</p>	<p>10.212</p>
	<p>Lock prepared for KABA, nightlatch function, extended colour options</p> <p>Weight in kg: alumin. 0.810</p>	<p>10.217</p>
	<p>Lock lever lock, nightlatch function, 2 keys supplied, extended colour options</p> <p>Weight in kg: alumin. 1.630 brass 2.530</p>	<p>10.213</p>
	<p>Strike box for pairs of doors, extended colour options</p> <p>Weight in kg: alumin. 0.610 brass 0.903</p>	<p>10.220</p>

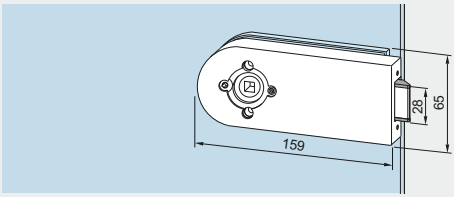
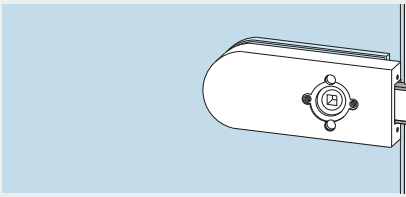
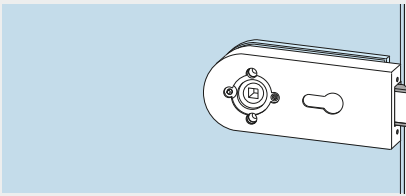
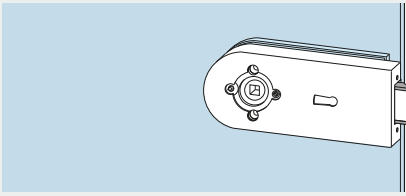
Locks, prepared for D-Line levers with roses

Complying to DIN EN 12209 (see page 6).

Locks for 8 mm glass thickness / 24 mm rebate depth,
10 mm glass thickness / 26 mm rebate depth resp.

Lever on site. Please specify exact lock type when ordering lever at your supplier and left or right hand application.

Hinges also to suit doors with no over-rebate and prepared for rebate depth 28 – 40 mm see page 21 and following.

	Product description	Art. No.
	<p>Lock non-locking, extended colour options</p> <p>Weight in kg: alumin. 0.840 brass 1.055</p>	10.260
	<p>Lock non-locking, with follower forward, extended colour options</p> <p>Weight in kg: alumin. 0.845</p>	10.261
	<p>Lock prepared for Europrofile cylinder, nightlatch function, extended colour options</p> <p>Weight in kg: alumin. 0.815 brass 1.030</p>	10.262
	<p>Lock lever lock, nightlatch function, 2 keys supplied, extended colour options</p> <p>Weight in kg: alumin. 0.850</p>	10.263

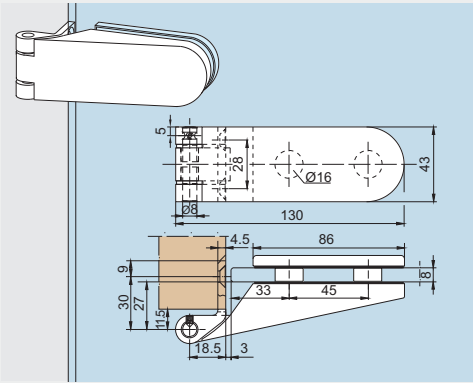
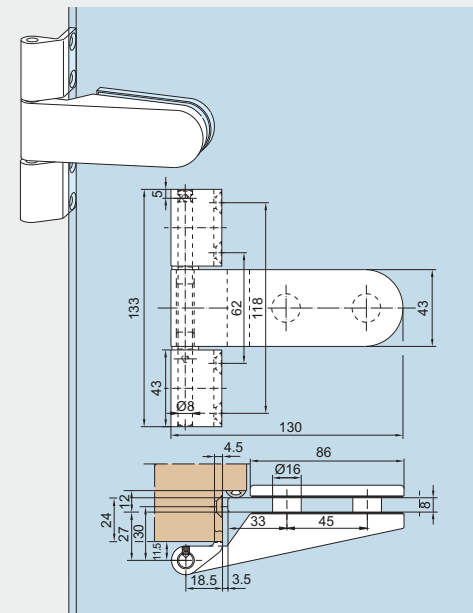
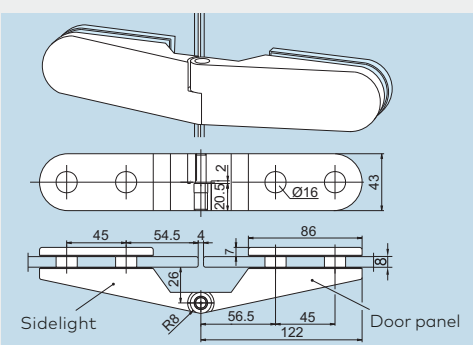
Hinges for 8 mm glass thickness

Door width max. 1,000 mm

	Product description	Art. No.
	<p>Hinge with frame pivot complete with sleeve, to suit rebate depth 24 mm, extended colour options door weight max. 45 kg</p> <p>Weight in kg: alumin. 0.319 brass 0.688</p>	10.230
	<p>Hinge with frame pivot complete with sleeve, to suit rebate depth 28 – 30 mm, door weight max. 38 kg</p> <p>Weight in kg: alumin. 0.336 brass 0.806</p>	10.233 (not illustr.)
	<p>Filler piece with screws for rebate depth 31 – 39 mm, (please indicate), door weight max. 38 kg, used in combination with hinge 10.230</p> <p>Weight in kg: alumin. 0.144</p>	10.420 (not illustr.)
	<p>Hinge with frame pivot complete with sleeve and filler piece to suit 40 mm rebate depth, door weight max. 38 kg</p> <p>Weight in kg: alumin. 0.486</p>	10.234 (not illustr.)
	<p>Hinge with frame pivot for aluminum frames, stainless steel pin, door weight max. 35 kg</p> <p>Weight in kg: alumin. 0.329</p>	10.231

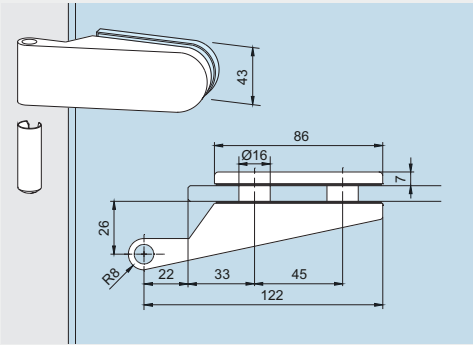
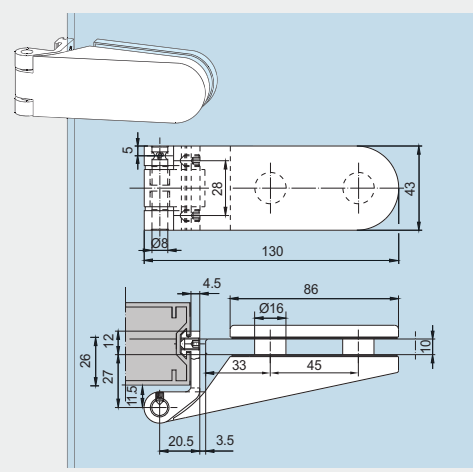
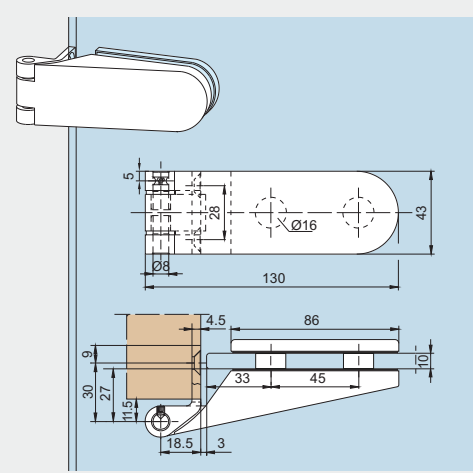
Hinges for 8 mm glass thickness

Door width max. 1,000 mm

	Product description	Art. No.
	<p>Hinge with frame pivot for wooden frames, hinge flap for mortising into frame, stainless steel pin, door weight max. 35 kg</p> <p>Weight in kg: alumin. 0.321</p>	<p>10.232</p>
	<p>Strengthened hinge with frame pivot for wooden frames, hinge flap for mortising into frame, stainless steel pin, door weight max. 45 kg</p> <p>Weight in kg: alumin. 0.433</p>	<p>10.235</p>
	<p>Hinge for mounting onto sidelights, stainless steel pin, door weight max. 35 kg</p> <p>Weight in kg: alumin. 0.557</p>	<p>10.244 L 10.246 R (not illustr.)</p>

Hinges for 10 mm glass thickness

Door width max. 1,000 mm

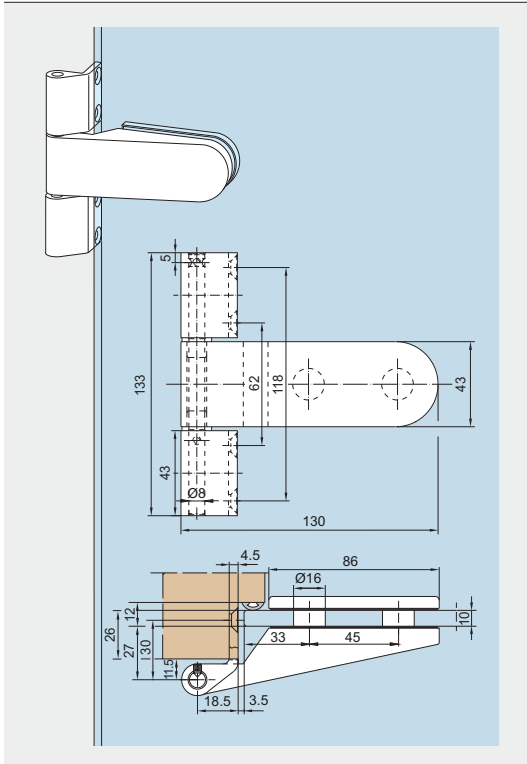
	Product description	Art. No.
	<p>Hinge with frame pivot complete with sleeve, rebate depth 26 mm, extended colour options, door weight max. 45 kg</p> <p>Weight in kg: alumin. 0.319 brass 0.688</p>	<p>10.236</p>
	<p>Hinge with frame pivot for aluminum frames, stainless steel pin, door weight max. 35 kg</p> <p>Weight in kg: alumin. 0.329</p>	<p>10.237</p>
	<p>Hinge with frame pivot for wooden frames, hinge flap for mortising into frame, stainless steel pin,</p> <p>Weight in kg: alumin. 0.321</p>	<p>10.238</p>

Hinges for 10 mm glass thickness

Door width max. 1,000 mm

Product description

Art. No.

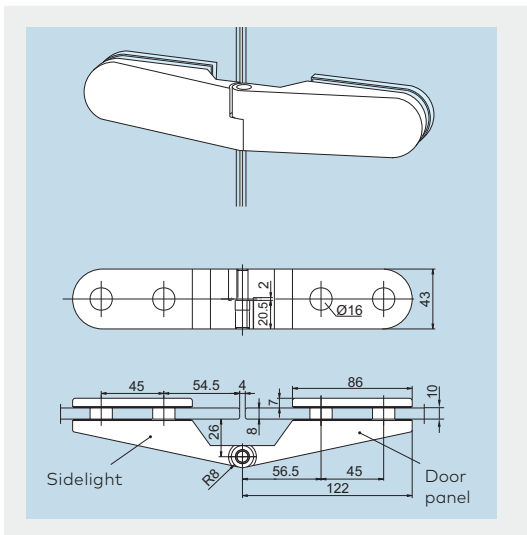


Strengthened hinge with frame pivot for wooden frames,

hinge flap for mortising into frame, stainless steel pin, door weight max. 45 kg

Weight in kg:
alumin. 0.433

10.239



Hinge for mounting onto sidelight

stainless steel pin,
door weight max. 35 kg

Weight in kg:
alumin. 0.557

Note: Opening angle max. 100°

10.245 L
10.247 R
(not illustr.)

Content

26	Technical Features
28	Complete doorsets
32	Components (Locks, hinges)
60	Type illustrations
104	Accessories
118	Range of levers
157	Safety-related information



STUDIO Classic

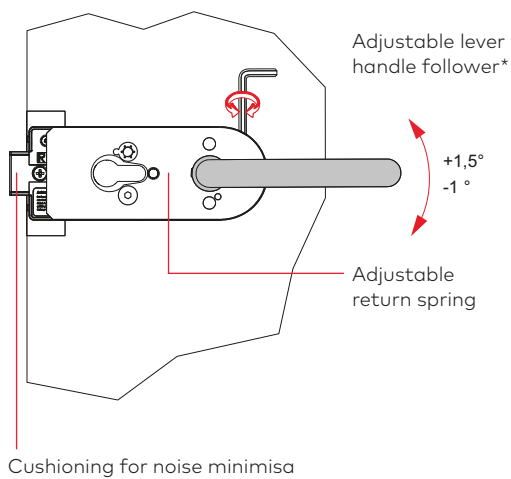
Technical features

- Lock insert with low-noise "whisper" functionality as standard. The whisper latch (study metal latch – partially plastics-sheathed and damped latch motions for noise minimisation) satisfy particularly high expectations. Adjustable lever handle follower + / -1°, patent pending, for avoidance of "lever handle sag" (droop). Further on a special spring supported clamp follower holds the lever handle perfectly secure.
- The fully closed lock case provides optimum protection for the internal components which themselves are of rugged unit construction.
- Locks comply to the current DIN EN 12209.
- Moreover these locks were tested successfully by a neutral testing institute with 200,000 latch and 200,000 locking bolt operating cycles.

Lock features	STUDIO Rondo	STUDIO Classic	STUDIO Gala 2.0	STUDIO Arcos
Adjustable lever handle follower from + 1.5° to - 1° for avoidance of „lever handle sag“ droop	●	●	●	●
Low-noise “whisper” functionality	●	●	●	●
Adjustable return spring	●	●	●	●
Spring-assisted clamp follower	●	●	●	●
Compliance approval to EN 12209	●	●	●	●
Lock types				
Non-locking latch	●	●	●	●
Non-locking latch, with levers forward*	●*	●*	●*	●*
Prepared for Europrofile cylinder	●	●	●	●
Prepared for KABA cylinder	●	●	●	●
Warded lever lock with nightlatch function	●	●	●	●
Bathroom lock function	●	●	●	●

* For all lock designs with the exception of „non-locking latches – handles to the front of the lock case“.

New standard lock functions

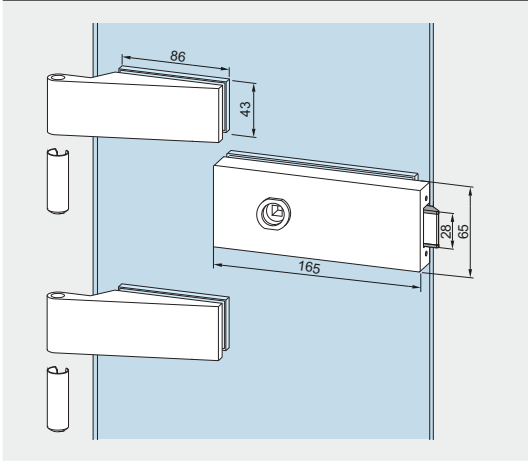
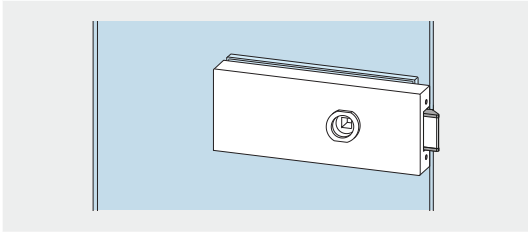
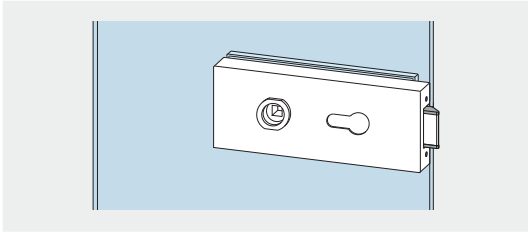
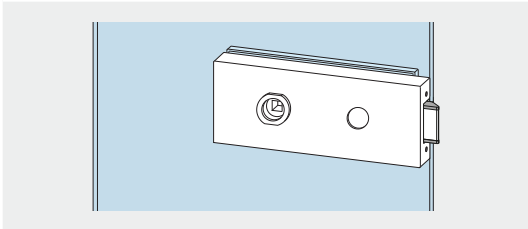


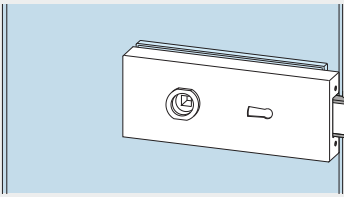
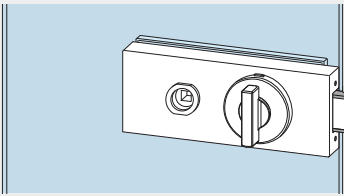
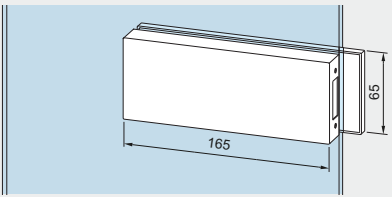
Complete doorsets for 8 and 10 mm glass thickness, locks with follower

Complying to DIN EN 12209 (see page 6).

Door weight max. 45 kg, door width max. 1,000 mm.
 Rebate depth 24 mm (for 8 mm glass thickness),
 26 mm (for 10 mm glass thickness)

Prepared for all levers without roses with 8 mm square spindles, spindle length for 44 mm lock thickness and 18 mm Ø follower, max. 8 mm long.

	Product description	Glass thickness	Art. No.
	Lock with 2 hinges non-locking lock, hinges with sleeves Weight in kg: alumin. 1.580	8 mm 10 mm	10.050 10.055
		Lock with 2 hinges non-locking lock with follower forward, hinges with sleeves Weight in kg: alumin. 1.625	8 mm 10 mm
	Lock with 2 hinges lock prepared for Europrofile cylinder, nightlatch function, hinges with sleeves Weight in kg: alumin. 1.565	8 mm 10 mm	10.052 10.057
	Lock with 2 hinges lock prepared for KABA, nightlatch function, hinges with sleeves Weight in kg: alumin. 1.563	8 mm 10 mm	10.049 10.060

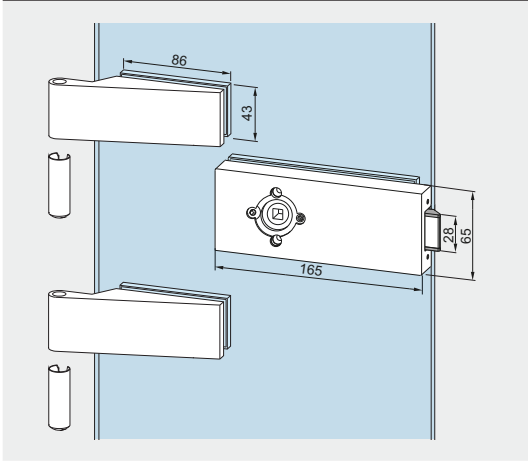
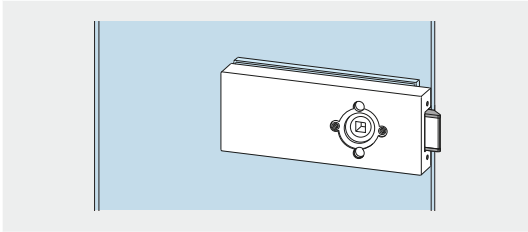
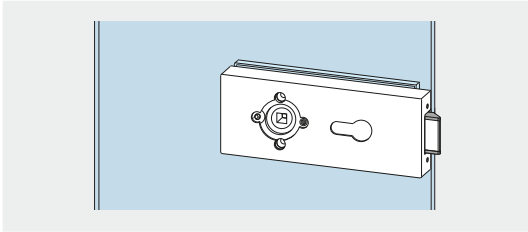
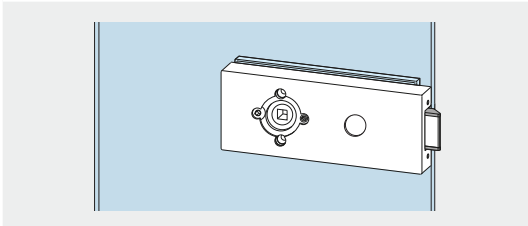
	Product description	Glass thickness	Art. No.
	<p>Lock with 2 hinges lever lock, nightlatch function, 2 keys supplied, hinges with sleeves</p> <p>Weight in kg: alumin. 1.630</p>	8 mm 10 mm	10.053 10.058
	<p>Lock with 2 hinges WC-toilet door, hinges with sleeves</p> <p>Weight in kg: alumin. 1.721</p>	8 mm 10 mm	10.054 10.059
	<p>Strike box with 2 hinges for pairs of doors, hinges with sleeves</p> <p>Weight in kg: alumin. 1.380</p>	8 mm 10 mm	10.034 10.039

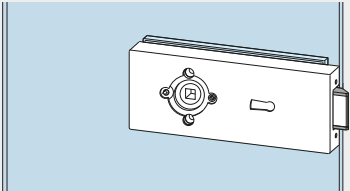
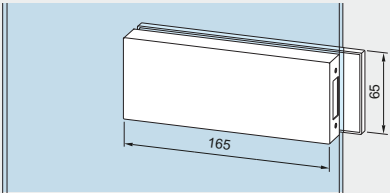
Complete doorsets for 8 and 10 mm glass thickness, locks for levers with roses

Complying to DIN EN 12209 (see page 6).

Door weight max. 45 kg, door width max. 1,000 mm.

Rebate depth 24 mm (for 8 mm glass thickness),
26 mm (for 10 mm glass thickness).

	Product description	Glass thickness	Art. No.
	Lock with 2 hinges non-locking lock, hinges with sleeves Weight in kg: alumin. 1.580	8 mm 10 mm	10.030 10.035
		Lock with 2 hinges non-locking lock for lever forward, hinges with sleeves Weight in kg: alumin. 1.585	8 mm 10 mm
	Lock with 2 hinges lock prepared for Europrofile cylinder, nightlatch function, hinges with sleeves Weight in kg: alumin. 1.565	8 mm 10 mm	10.032 10.037
	Lock with 2 hinges lock prepared for KABA, nightlatch function, hinges with sleeves Weight in kg: alumin. 1.563	8 mm 10 mm	10.028 10.029

	Product description	Glass thickness	Art. No.
	<p>Lock with 2 hinges lever lock, nightlatch function, 2 keys supplied, hinges with sleeves</p> <p>Weight in kg: alumin. 1.575</p>	8 mm 10 mm	10.033 10.038
	<p>Strike box with 2 hinges for pairs of doors, hinges with sleeves</p> <p>Weight in kg: alumin. 1.380</p>	8 mm 10 mm	10.034 10.039

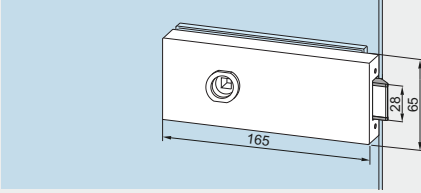
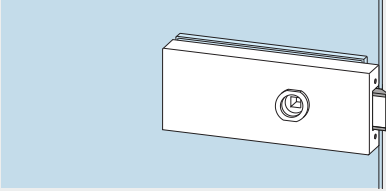
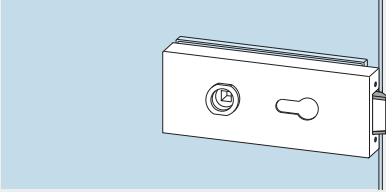
Locks with follower

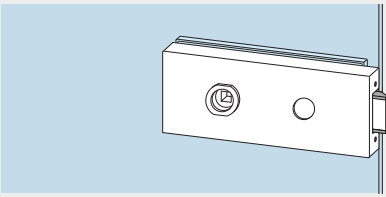
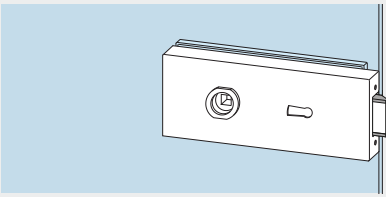
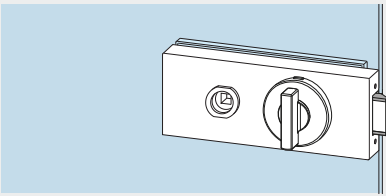
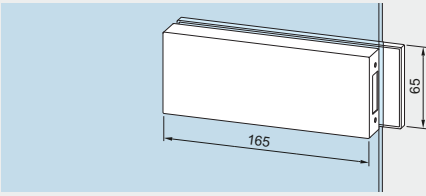
Complying to DIN EN 12209 (see page 6),

Locks for 8 mm glass thickness / 24 mm rebate depth,
10 mm glass thickness / 26 mm rebate depth resp.

Prepared for all levers without roses with 8 mm square spindles, spindle length for 44 mm lock thickness and 18 mm Ø follower, max. 8 mm long.

Hinges see page 35.

	Product description	Art. No.
	<p>Lock non-locking</p> <p>Weight in kg: alumin. 0.840</p>	10.001
	<p>Lock non-locking, with follower forward</p> <p>Weight in kg: alumin. 0.845</p>	10.002
	<p>Lock prepared for Europrofile cylinder, nightlatch function</p> <p>Weight in kg: alumin. 0.815</p>	10.003

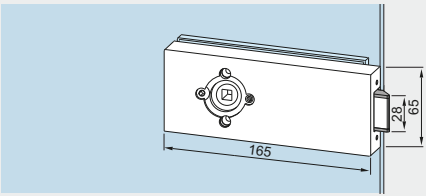
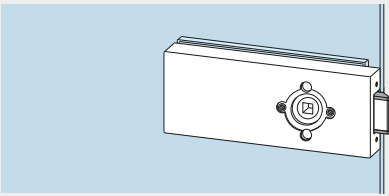
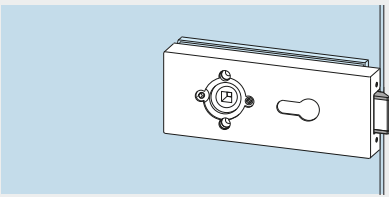
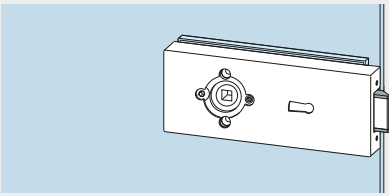
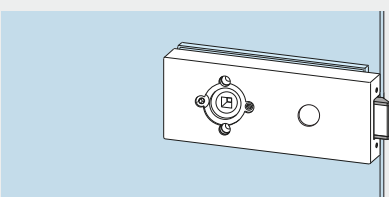
	Product description	Art. No.
	<p>Lock prepared for KABA, nightlatch function</p> <p>Weight in kg: alumin. 0.813</p>	<p>10.007</p>
	<p>Lock lever lock, nightlatch function, 2 keys supplied</p> <p>Weight in kg: alumin. 0.850</p>	<p>10.004</p>
	<p>Lock WC-toilet door</p> <p>Weight in kg: alumin. 1.111</p>	<p>10.006</p>
	<p>Strike box for pairs of doors</p> <p>Weight in kg: alumin. 0.610</p>	<p>10.005</p>

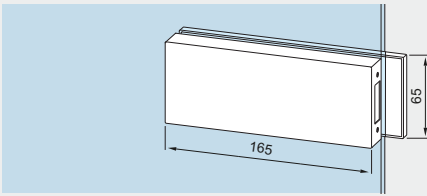
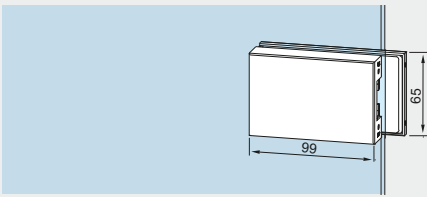
Locks for levers with roses

Complying to DIN EN 12209 (see page 6).

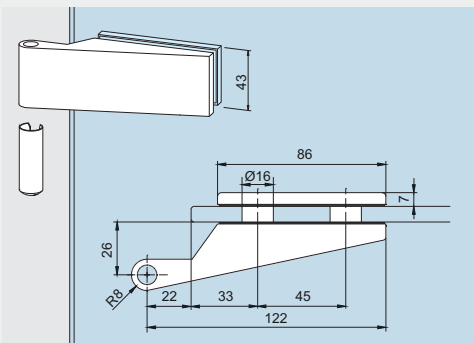
Hinges see page 35.

Locks for 8 mm glass thickness / 24 mm rebate depth,
10 mm glass thickness / 26 mm rebate depth resp.

	Product description	Art. No.
	<p>Lock non-locking,</p> <p>Weight in kg: alumin. 1.580</p>	10.040
	<p>Lock non-locking, with follower forward</p> <p>Weight in kg: alumin. 0.845</p>	10.041
	<p>Lock prepared for Europrofile cylinder, nightlatch function</p> <p>Weight in kg: alumin. 0.815</p>	10.042
	<p>Lock prepared for KABA, nightlatch function</p> <p>Weight in kg: alumin. 0.850</p>	10.043
	<p>Lock lever lock, nightlatch function, 2 keys supplied</p> <p>Weight in kg: alumin. 0.813</p>	10.044

	Product description	Art. No.
	<p>Strike box for pairs of doors</p> <p>Weight in kg: alumin. 0.610</p>	<p>10.005</p>
	<p>Strike box short for pairs of doors</p> <p>Weight in kg: alumin. 0.610</p>	<p>10.512</p>

Door hinges for 8 mm and 10 mm glass thickness

	Product description	Glass thickness	Art. No.
	<p>Hinge with frame pivot complete with sleeve for 8 mm glass thickness, 24 mm rebate depth</p>	<p>8 mm</p>	<p>10.021</p>
	<p>for 10 mm glass thickness, 26 mm rebate depth</p> <p>Weight in kg: alumin. 0.319</p>	<p>10 mm</p>	<p>10.020</p>

Inhalt

38	Technical Features
40	Complete doorsets
41	Components (Locks, hinges)
60	Type illustrations
104	Accessories
118	Range of levers
157	Safety-related information



STUDIO Gala 2.0

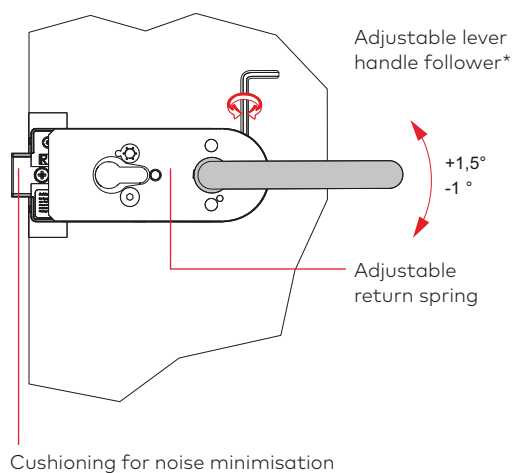
Technical features

- Lock insert with low-noise "whisper" functionality as standard. The whisper latch (study metal latch – partially plastics-sheathed and damped latch motions for noise minimisation) satisfy particularly high expectations. Adjustable lever handle follower + / -1°; patent pending, for avoidance of "lever handle sag" (droop). Further on a special spring supported clamp follower holds the lever handle perfectly secure.
- The fully closed lock case provides optimum protection for the internal components which themselves are of rugged unit construction.
- Locks comply to the current DIN EN 12209.
- Moreover these locks were tested successfully by a neutral testing institute with 200,000 latch and 200,000 locking bolt operating cycles.

Lock features	STUDIO Rondo	STUDIO Classic	STUDIO Gala 2.0	STUDIO Arcos
Adjustable lever handle follower from + 1.5° to - 1° for avoidance of „lever handle sag“ droop	●	●	●	●
Low-noise “whisper” functionality	●	●	●	●
Adjustable return spring	●	●	●	●
Spring-assisted clamp follower	●	●	●	●
Compliance approval to EN 12209	●	●	●	●
Lock types				
Non-locking latch	●	●	●	●
Non-locking latch, with levers forward*	●*	●*	●*	●*
Prepared for Europrofile cylinder	●	●	●	●
Prepared for KABA cylinder	●	●	●	●
Warded lever lock with nightlatch function	●	●	●	●
Bathroom lock function	●	●	●	●

* For all lock designs with the exception of „non-locking latches – handles to the front of the lock case“.

New standard lock functions

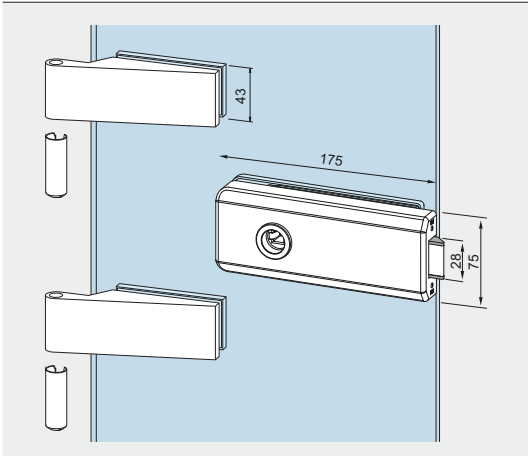
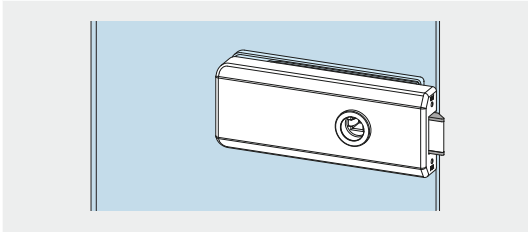
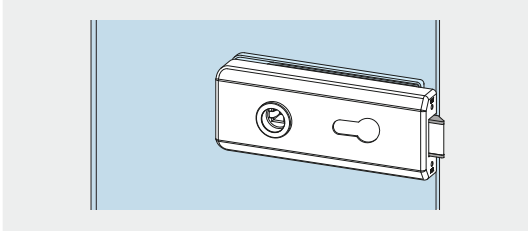
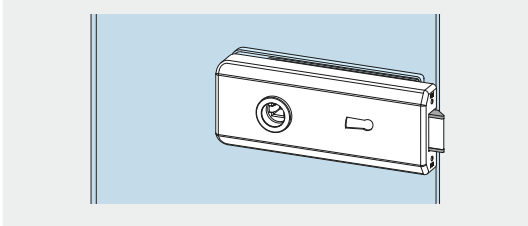


Complete doorsets for 8 mm glass thickness, locks with follower

Complying to DIN EN 12209 (see page 6).

Door weight max. 45 kg, door width max. 1,000 mm
rebate depth 24 mm (for 8 mm glass thickness).

Prepared for all levers without roses with 8 mm square spindles, spindle length for 44 mm lock thickness and 18 mm Ø follower, max. 8 mm long.

	Product description	Art. No.
	<p>Lock with 2 STUDIO Classic hinges non-locking lock, hinges with sleeves</p> <p>Weight in kg: alumin. 1.920 brass 2.660</p>	19.620
	<p>Lock with 2 STUDIO Classic hinges non-locking lock with follower forward, hinges with sleeves</p> <p>Weight in kg: alumin. 1.880 brass 2.645</p>	19.621
	<p>Lock with 2 STUDIO Classic hinges lock prepared for Europrofile cylinder, nightlatch function, hinges with sleeves</p> <p>Weight in kg: alumin. 1.915 brass 2.660</p>	19.622
	<p>Lock with 2 STUDIO Classic hinges lever lock, nightlatch function, 2 keys supplied, hinges with sleeves</p> <p>Weight in kg: alumin. 1.965 brass 2.700</p>	19.623

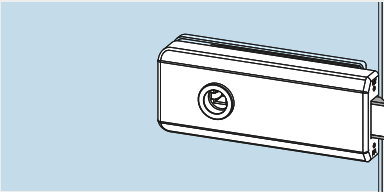
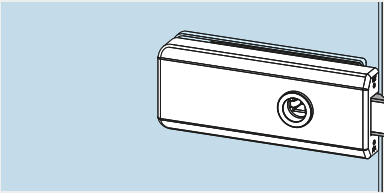
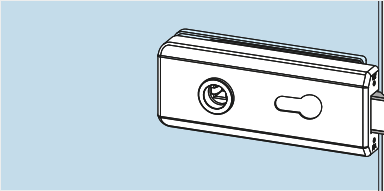
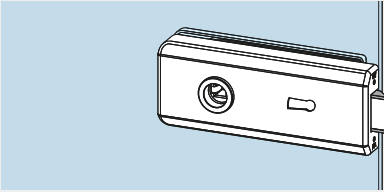
Locks with follower

Complying to DIN EN 12209 (see page 6).

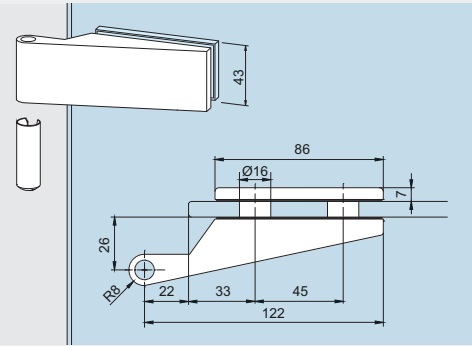
Locks for 8 mm glass thickness / 24 mm rebate depth.

Prepared for all levers without roses with 8 mm square spindles, spindle length for 44 mm lock thickness and 18 mm Ø follower, max. 8 mm long.

Hinges see page 42.

	Product description	Art. No.
	<p>Lock non-locking</p> <p>Weight in kg: alumin. 0.690 brass 0.972</p>	19.610
	<p>Lock non-locking, with follower forward</p> <p>Weight in kg: alumin. 0.679 brass 0.957</p>	19.611
	<p>Lock prepared for Europrofile cylinder, nightlatch function</p> <p>Weight in kg: alumin. 0.690 brass 0.972</p>	19.612
	<p>Lock lever lock, nightlatch function, 2 keys supplied</p> <p>Weight in kg: alumin. 0.718 brass 1.012</p>	19.613

Door hinges

	Product description	Glass thickness	Art. No.
	Hinge with frame pivot complete with sleeve 24 mm rebate depth	8 mm	10.021
	26 mm rebate depth	10 mm	10.020
Weight in kg: alumin. 0.319			

Space for your notes

Content

46	Technical Features
48	Complete doorsets
50	Components (Locks, hinges)
60	Type illustrations
104	Accessories
118	Range of levers
157	Safety-related information



STUDIO Arcos

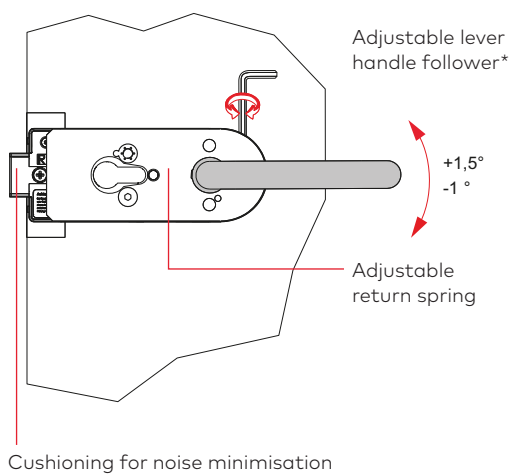
Technical features

- Lock insert with low-noise "whisper" functionality as standard. The whisper latch (study metal latch – partially plastics-sheathed and damped latch motions for noise minimisation) satisfy particularly high expectations. Adjustable lever handle follower + / -1°, patent pending, for avoidance of "lever handle sag" (droop). Further on a special spring supported clamp follower holds the lever handle perfectly secure.
- The fully closed lock case provides optimum protection for the internal components which themselves are of rugged unit construction.
- Locks comply to the current DIN EN 12209.
- Moreover these locks were tested successfully by a neutral testing institute with 200,000 latch and 200,000 locking bolt operating cycles.

Lock features	STUDIO Rondo	STUDIO Classic	STUDIO Gala 2.0	STUDIO Arcos
Adjustable lever handle follower from + 1.5° to - 1° for avoidance of „lever handle sag“ droop	●	●	●	●
Low-noise “whisper” functionality	●	●	●	●
Adjustable return spring	●	●	●	●
Spring-assisted clamp follower	●	●	●	●
Compliance approval to EN 12209	●	●	●	●
Lock types				
Non-locking latch	●	●	●	●
Non-locking latch, with levers forward*	●*	●*	●*	●*
Prepared for Europrofile cylinder	●	●	●	●
Prepared for KABA cylinder	●	●	●	●
Warded lever lock with nightlatch function	●	●	●	●
Bathroom lock function	●	●	●	●

* For all lock designs with the exception of „non-locking latches – handles to the front of the lock case“.

New standard lock functions



Complete doorsets for 8 and 10 mm glass thickness, locks with follower

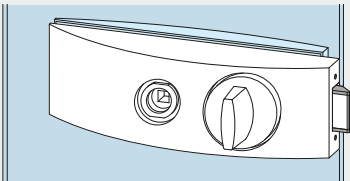
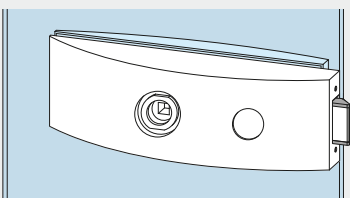
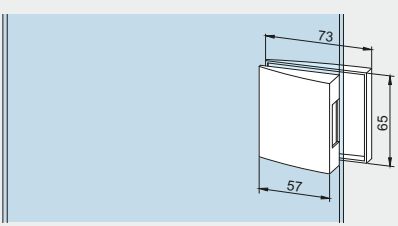
Locks acc. to DIN 12209, according to type testing (see page 6).

Door weight max. 45 kg, door width max. 1,000 mm rebate depth 24 mm (for 8 mm glass thickness), 26 mm (for 10 mm glass thickness).

Prepared for all levers without roses with 8 mm square spindles, spindle length for 44 mm lock thickness and 18 mm Ø follower, max. 8 mm long.

Hinges to suit rebate depth 28–40 mm see page 54.

	Product description	Glass thickness	Art. No.
	Lock with 2 hinges non-locking lock, hinges with sleeves Weight in kg: alumin. 1.580 brass 2.485	8 mm 10 mm	24.100 24.130
	Lock with 2 hinges non-locking lock with follower forward, hinges with sleeves Weight in kg: alumin. 1.625 brass 2.505	8 mm 10 mm	24.101 24.131
	Lock with 2 hinges lock prepared for Europrofile cylinder, nightlatch function, hinges with sleeves Weight in kg: alumin. 1.565 brass 2.465	8 mm 10 mm	24.102 24.132
	Lock with 2 hinges lever lock, nightlatch function, 2 keys supplied, hinges with sleeves Weight in kg: alumin. 1.630 brass 2.530	8 mm 10 mm	24.103 24.133

	Product description	Glass thickness	Art. No.
	<p>Lock with 2 hinges WC-toilet door, hinges with sleeves</p> <p>Weight in kg: alumin. 1.716 brass 2.755</p>	<p>8 mm 10 mm</p>	<p>24.106 24.134</p>
	<p>Lock with 2 hinges prepared for KABA, hinges with sleeves</p> <p>Weight in kg: alumin. 1.630 brass 2.530</p>	<p>8 mm 10 mm</p>	<p>24.108 24.129</p>
	<p>Strike box with 2 hinges for pairs of doors, hinges with sleeves</p> <p>Weight in kg: alumin. 1.380 brass 2.295</p>	<p>8 mm 10 mm</p>	<p>24.120 24.125</p>

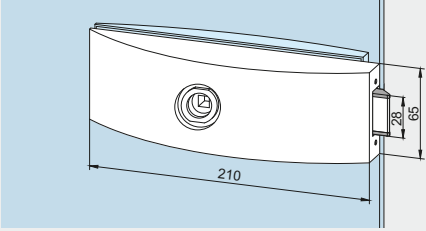
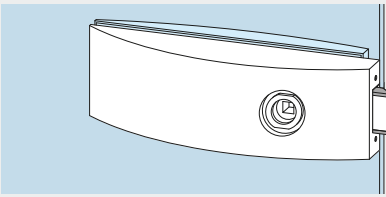
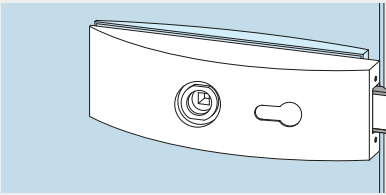
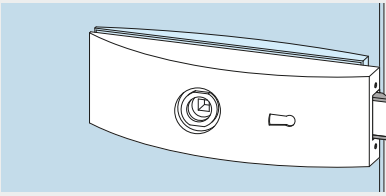
Locks with follower

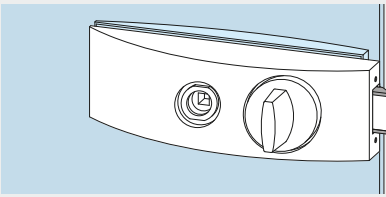
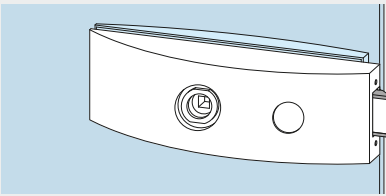
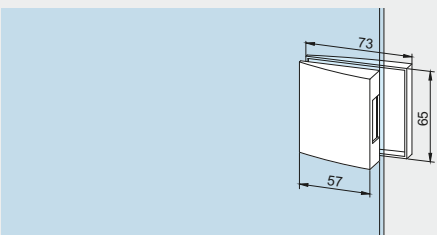
Locks acc. to DIN 12209, according to type testing (see page 6).

**Locks for 8 mm glass thickness / 24 mm rebate depth,
10 mm glass thickness / 26 mm rebate depth resp.**

Prepared for all levers without roses with 8 mm square spindles, spindle length for 44 mm lock thickness and 18 mm Ø follower, max. 8 mm long.

Hinges to suit rebate depth 28–40 mm see page 54.

	Product description	Art. No.
	<p>Lock non-locking</p> <p>Weight in kg: alumin. 0.840 brass 1.055</p>	24.200
	<p>Lock non-locking, with follower forward</p> <p>Weight in kg: alumin. 0.845 brass 1.055</p>	24.201
	<p>Lock prepared for Europrofile cylinder, nightlatch function</p> <p>Weight in kg: alumin. 0.815 brass 1.030</p>	24.202
	<p>Lock lever lock, nightlatch function, 2 keys supplied</p> <p>Weight in kg: alumin. 0.850 brass 1.090</p>	24.203

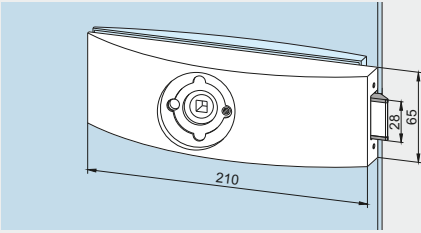
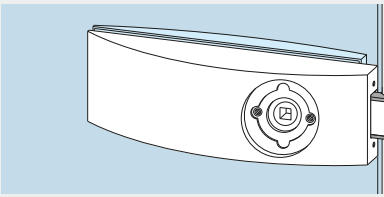
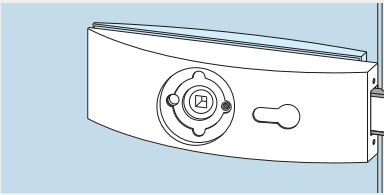
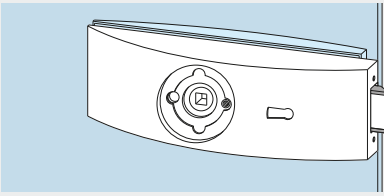
	Product description	Art. No.
	<p>Lock WC – toilet door</p> <p>Weight in kg: alumin. 1.111 brass 1.398</p>	<p>24.206</p>
	<p>Lock prepared for KABA</p> <p>Weight in kg: alumin. 0.850 brass 1.090</p>	<p>24.207</p>
	<p>Strike box for pairs of doors</p> <p>Weight in kg: alumin. 0.610 brass 0.903</p>	<p>24.220</p>

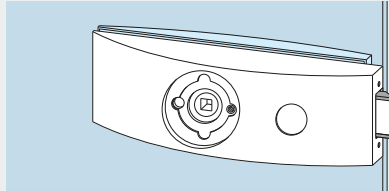
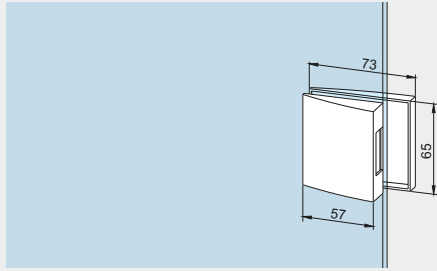
Locks for levers with roses

Locks acc. to DIN 12209, according to type testing (see page 6).

Hinges to suit rebate depth 28–40 mm see page 54.

Locks for 8 mm glass thickness / 24 mm rebate depth,
10 mm glass thickness / 26 mm rebate depth resp.

	Product description	Art. No.
	<p>Lock non-locking</p> <p>Weight in kg: alumin. 1.580</p>	24.210
	<p>Lock non-locking, for lever forward</p> <p>Weight in kg: alumin. 1.625</p>	24.211
	<p>Lock prepared for Europrofile cylinder, nightlatch function</p> <p>Weight in kg: alumin. 1.565</p>	24.212
	<p>Lock lever lock, nightlatch function, 2 keys supplied</p> <p>Weight in kg: alumin. 1.630</p>	24.213

	Product description	Art. No.
	<p>Lock prepared for KABA</p> <p>Weight in kg: alumin. 0.850</p>	24.217
	<p>Strike box for pairs of doors</p> <p>Weight in kg: alumin. 0.610 brass 0.903</p>	24.220

Hinges

for 8 mm glass thickness, for rebate depth 24 mm. Door width max. 1,000 mm.

	Product description	Art. No.
	<p>Hinge for frame pivot complete with sleeve, to suit rebate depth 24 mm door weight max. 45 kg</p> <p>Weight in kg: alumin. 0.319</p>	<p>24.230</p>
	<p>Filler piece with screws for rebate depth 28–40 mm, (please indicate), door weight max. 38 kg, used in combination with hinge 24.230</p> <p>Weight in kg: alumin. 0.144</p>	<p>24.420 (not illustr.)</p>

for 10 mm glass thickness, for rebate depth 26 mm Door width max. 1,000 mm

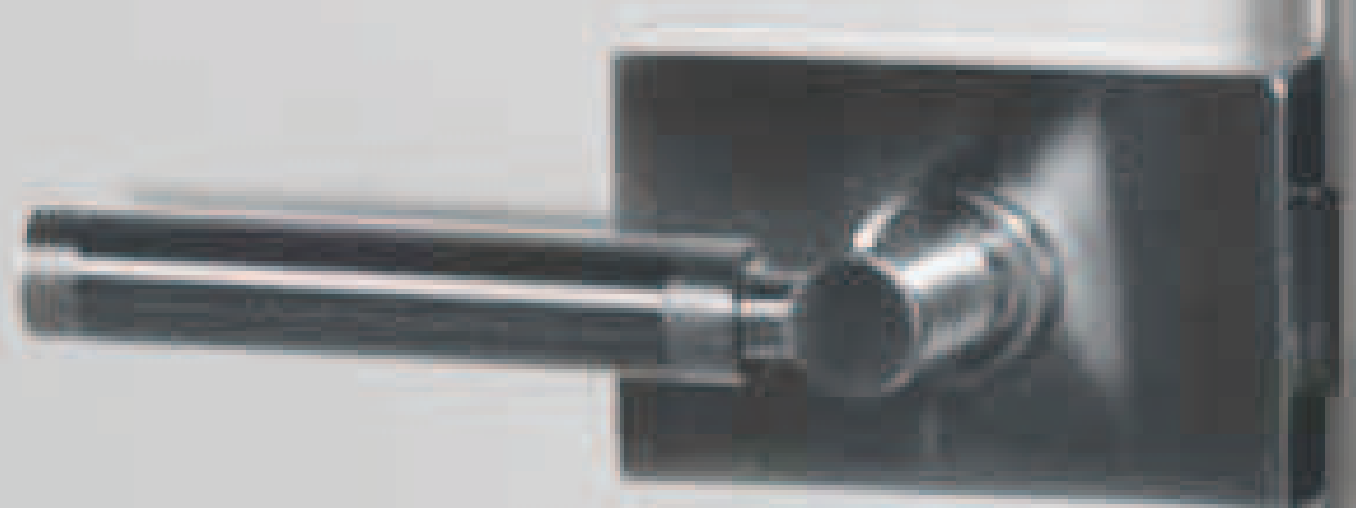
	Product description	Art. No.
	<p>Hinge for frame pivot complete with sleeve, door weight max. 45 kg</p> <p>Weight in kg: alumin. 0.319</p>	<p>24.236</p>

Special hinges

	Product description	Glass thickness	Art. No.	
	Arcos corner hinges, pairs, with free glass edge (for rebate) on top resp. underneath and at side height adjustable, extended colour options, door weight max. 35 kg Weight in kg: alumin. 0.588 brass 1.006	8 mm 10 mm	25.401 25.409	
	Pair of floor and top pivot for corner hinges, brass satin chromed, stainless steel pin Weight in kg: alumin. 0.182			12.016
	Piece of floor socket / top pivot left bottom / top right Weight in kg: alumin. 0.091			12.014
	Piece of floor socket / top pivot right bottom / top left Weight in kg: alumin. 0.091			12.015
	Frame fixed pivot for corner hinges, brass satin chromed, stainless steel pin Weight in kg: alumin. 0.132		12.003	
	Screw-in pivot stainless steel Weight in kg: alumin. 0.048			12.004
	Arcos hinge with frame pivot for non-rebated frames hinge flap for screwing onto frame, stainless steel pin, plastic bushing, door weight max. 40 kg, door width max. 1,000 mm Weight in kg: alumin. 0.205		25.450	

Content

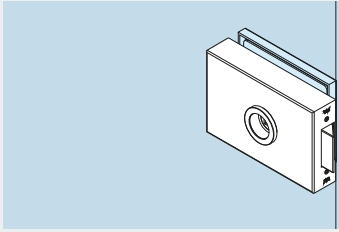
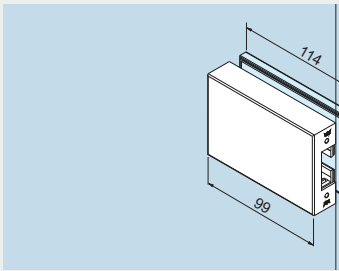
58	Components
60	Type illustrations
104	Accessories
118	Range of levers
157	Safety-related information



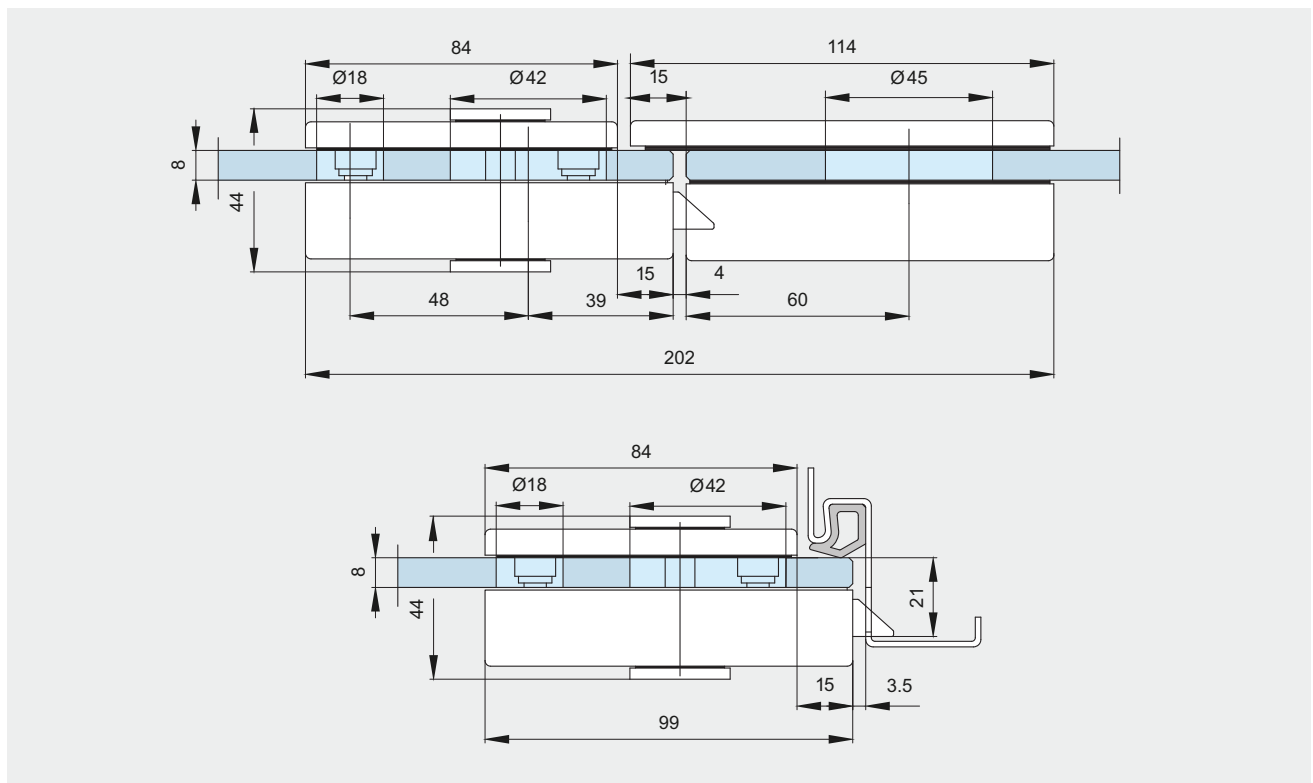
STUDIO Medio

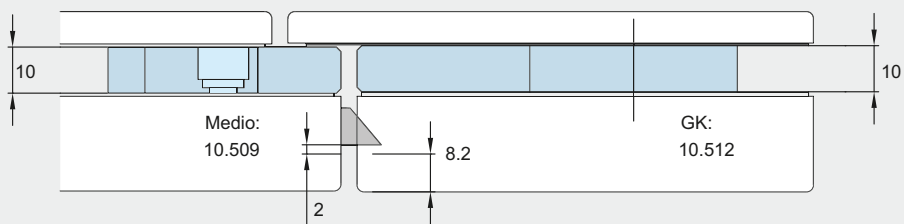
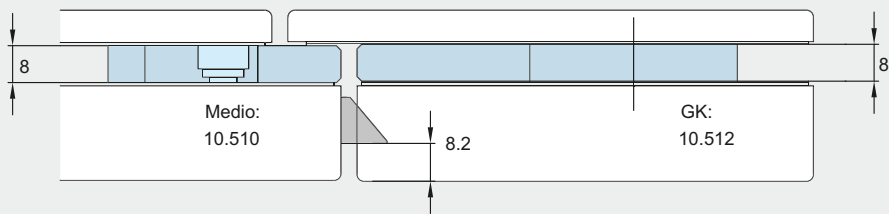
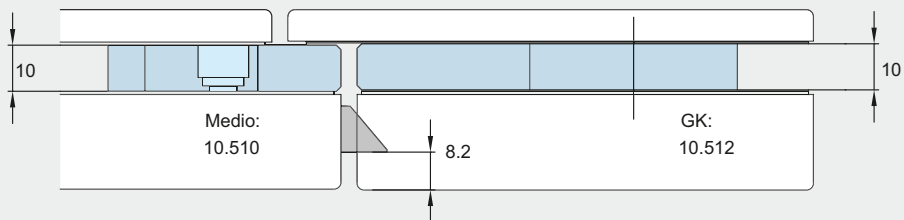
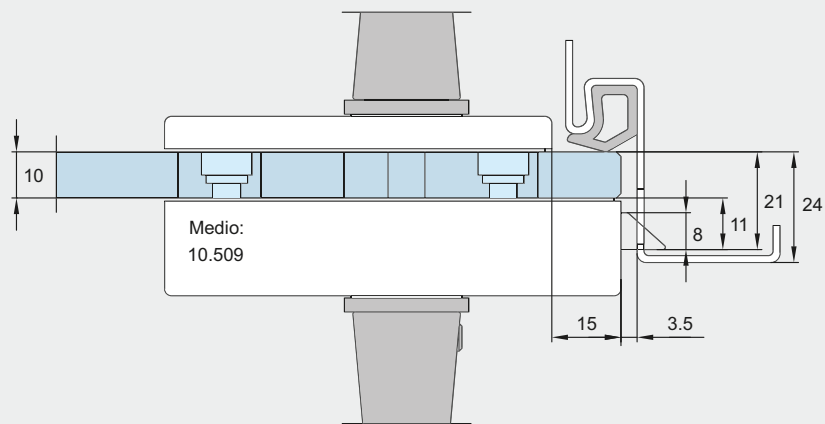
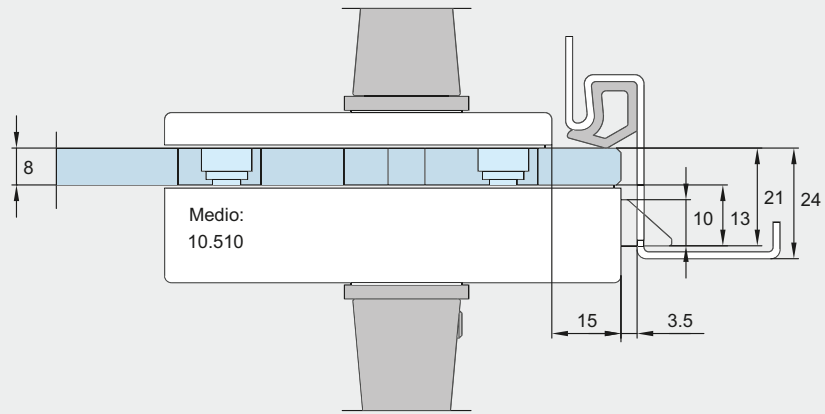
Locks with follower

Locks for 8 mm glass thickness / 24 mm rebate depth

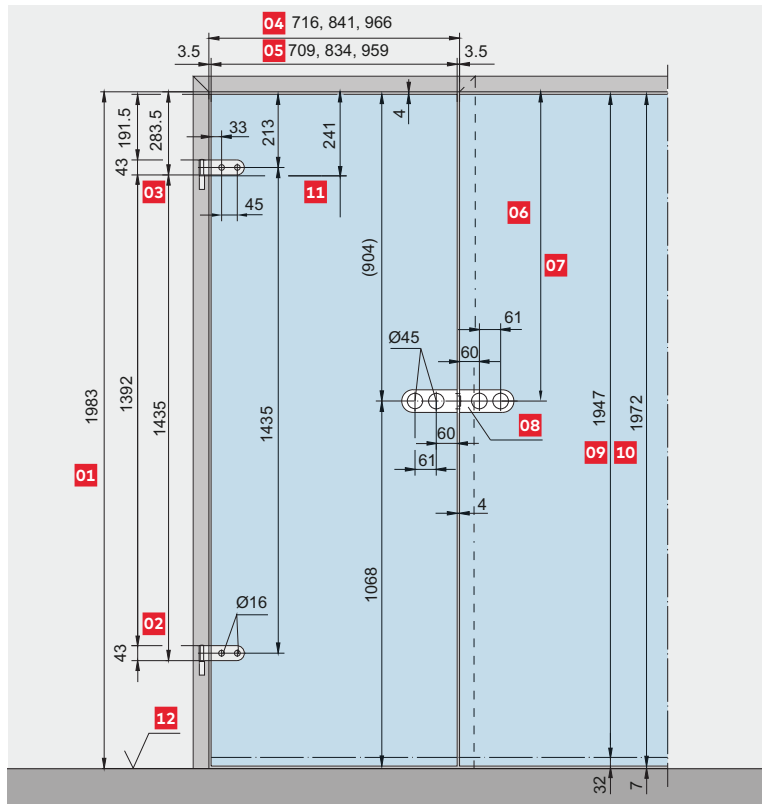
	Product description	Glass thickness	Art. No.
	STUDIO Medio lock Weight in kg: alumin. 0.840	8 mm	10.510
		10 mm	10.509
	STUDIO Medio strike box, short Weight in kg: alumin. 0.610		10.512

Section STUDIO Medio



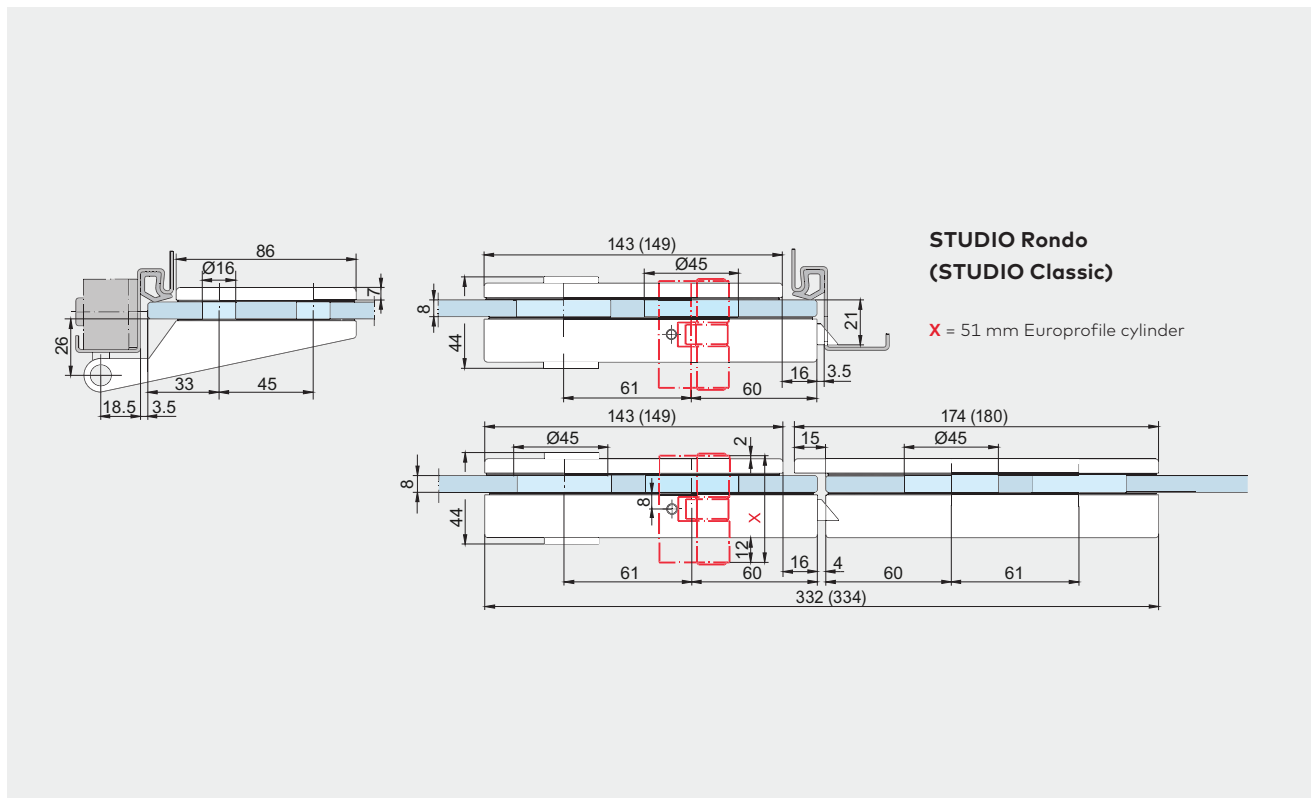


Construction dimensions for frame pivots

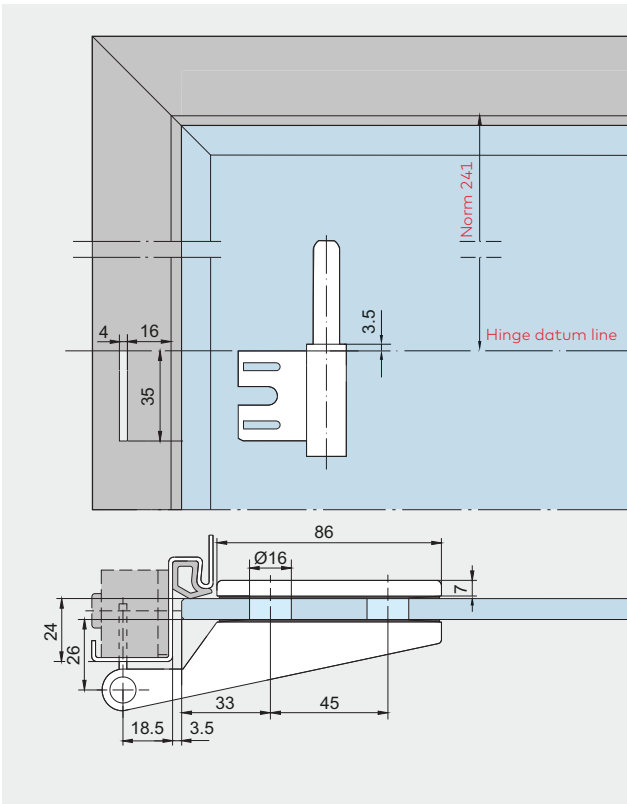


- 01** Frame rebate height
- 02** Standard hinge support to DIN 18 111
- 03** Standard hinge support
- 04** Frame rebate width
- 05** Glass width
- 06** Centre lock bolt
- 07** Usually 908 mm for doors 1,972 mm high
- 08** Strike box
- 09** Glass height (type S)
- 10** Glass height (type N)
- 11** Hinge datum line to DIN 18 268
- 12** Finished floor level (FFL)

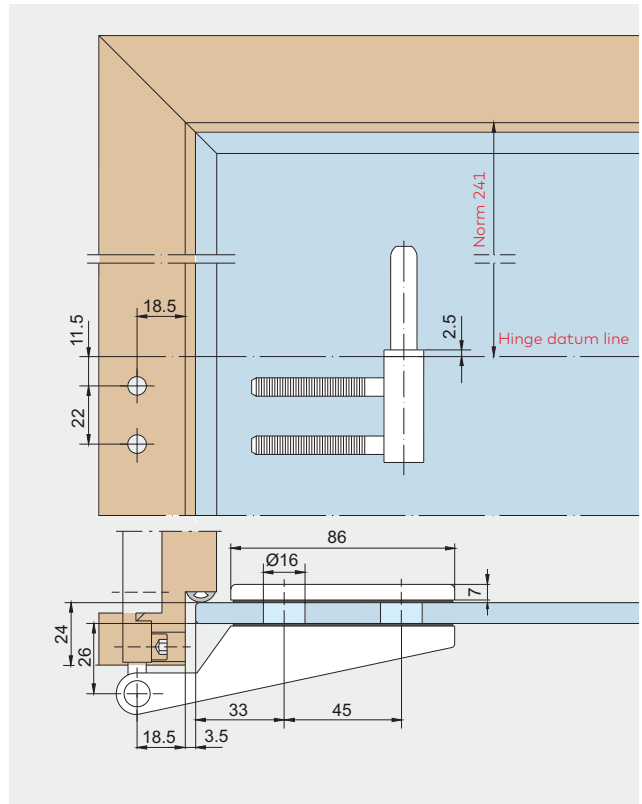
Section STUDIO Rondo / Classic, STUDIO Gala 2.0



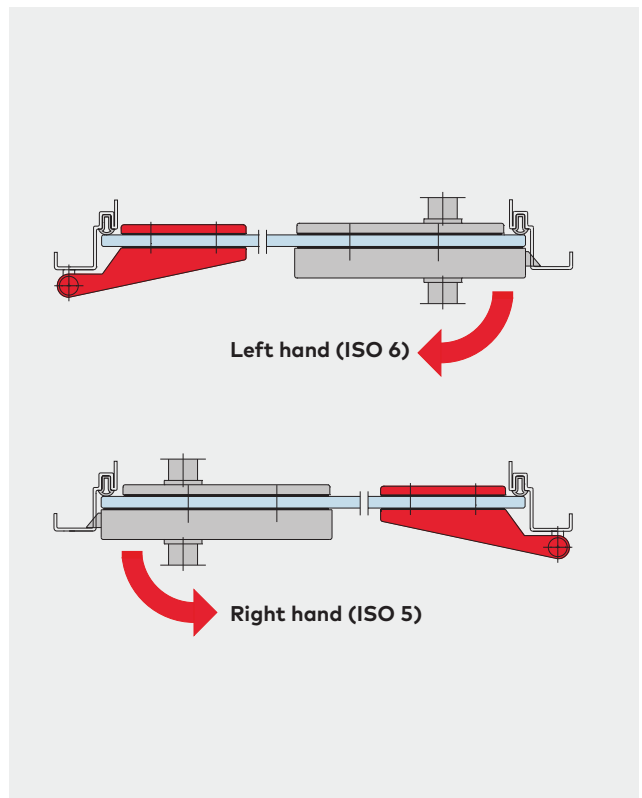
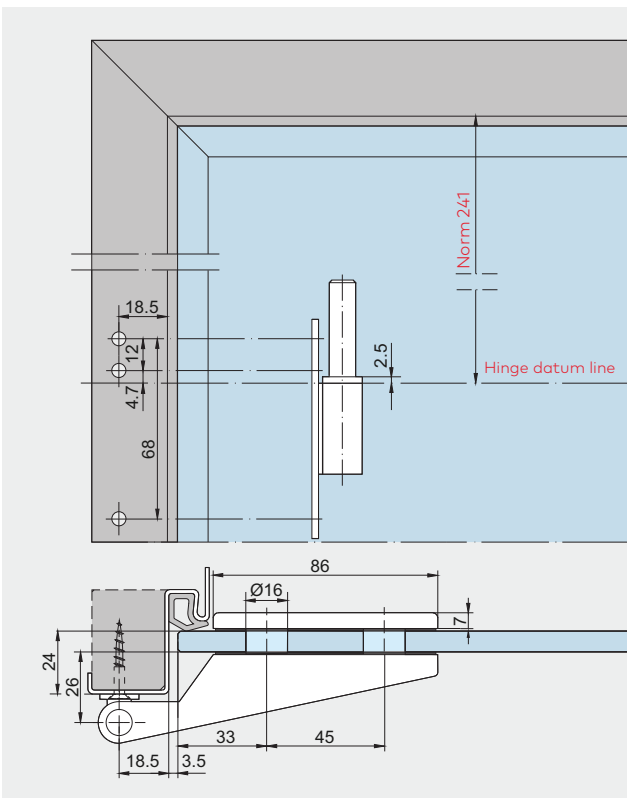
Frame pivots for steel frames



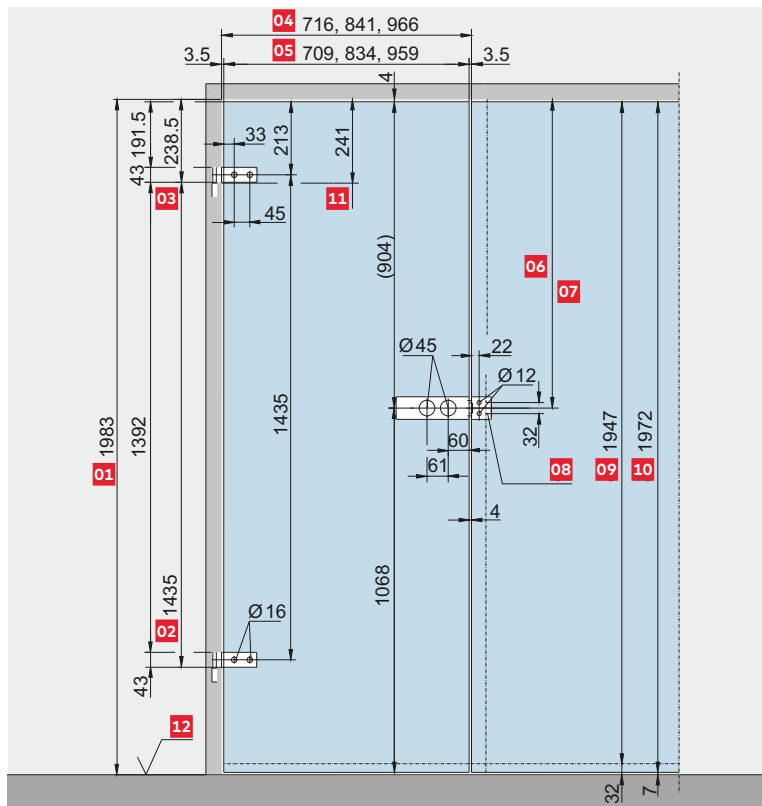
Frame pivots for wooden frames



Screw on frame pivot

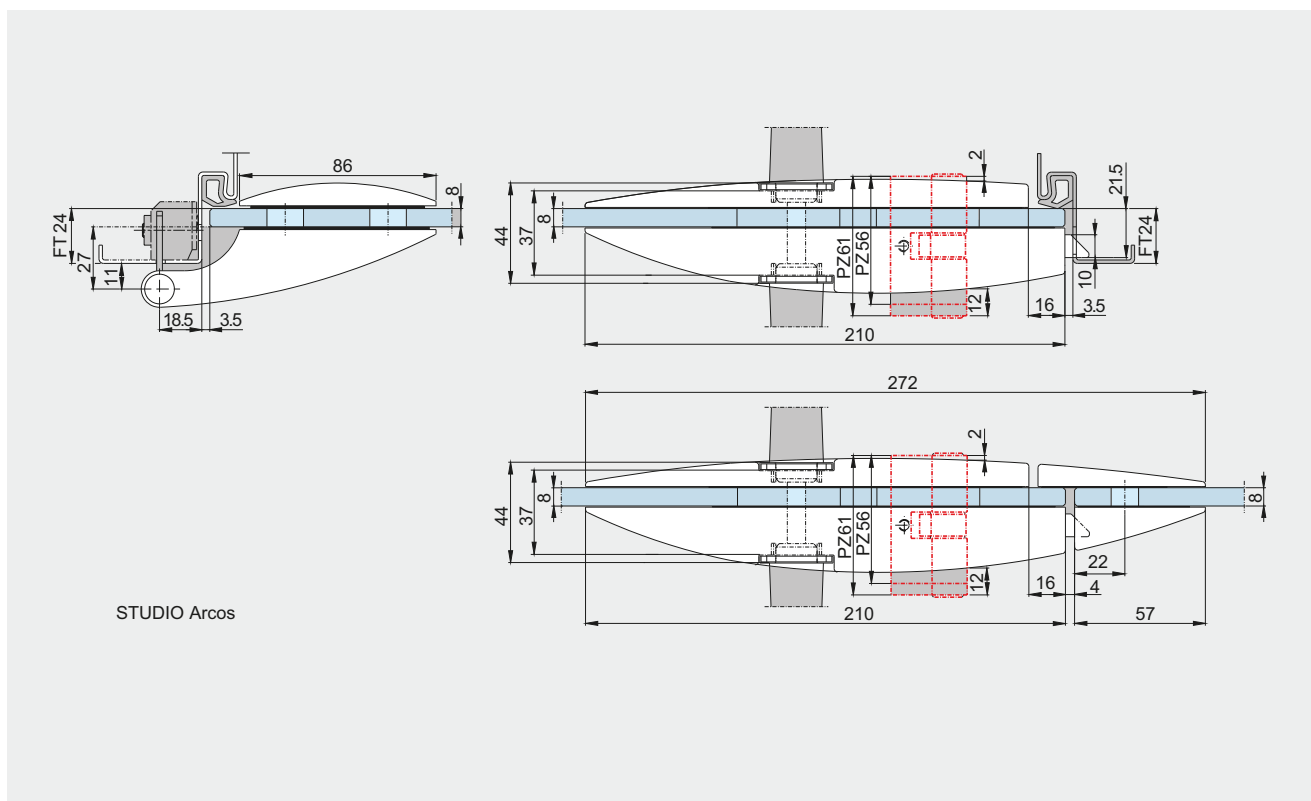


Construction detail

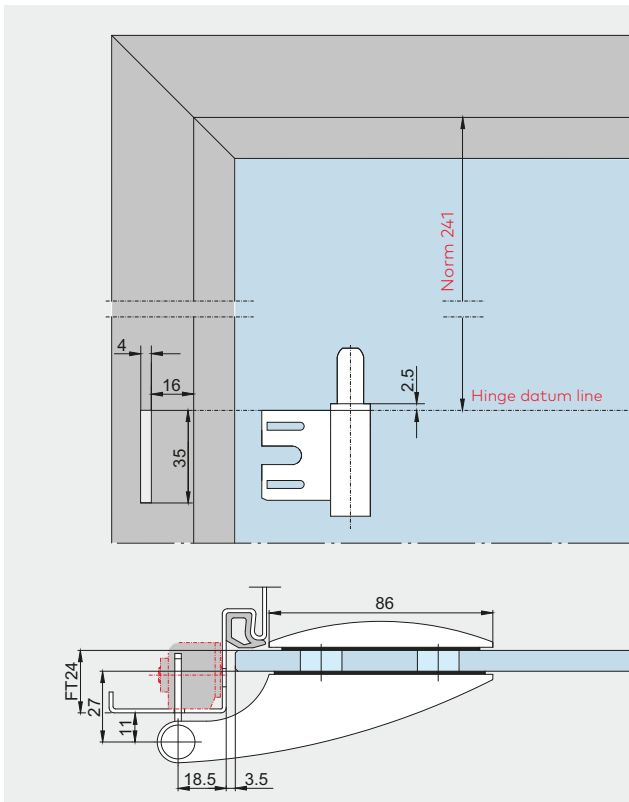


- 01** Frame rebate height
- 02** Standard hinge support to DIN 18 111
- 03** Standard hinge support
- 04** Frame rebate width
- 05** Glass width
- 06** Centre lock bolt
- 07** Usually 908 mm for doors 1,972 mm high
- 08** Strike box
- 09** Glass height (type S)
- 10** Glass height (type N)
- 11** Hinge datum line to DIN 18 268
- 12** Finished floor level (FFL)

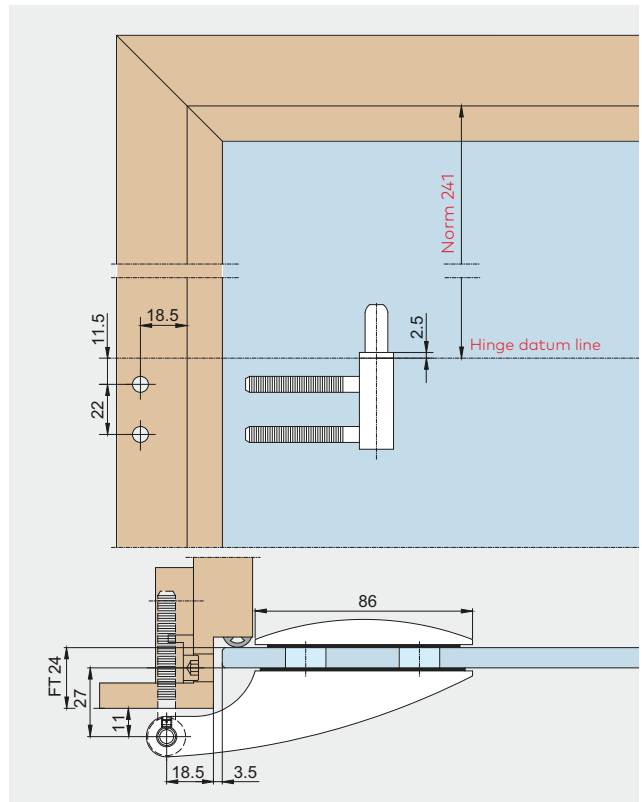
Section



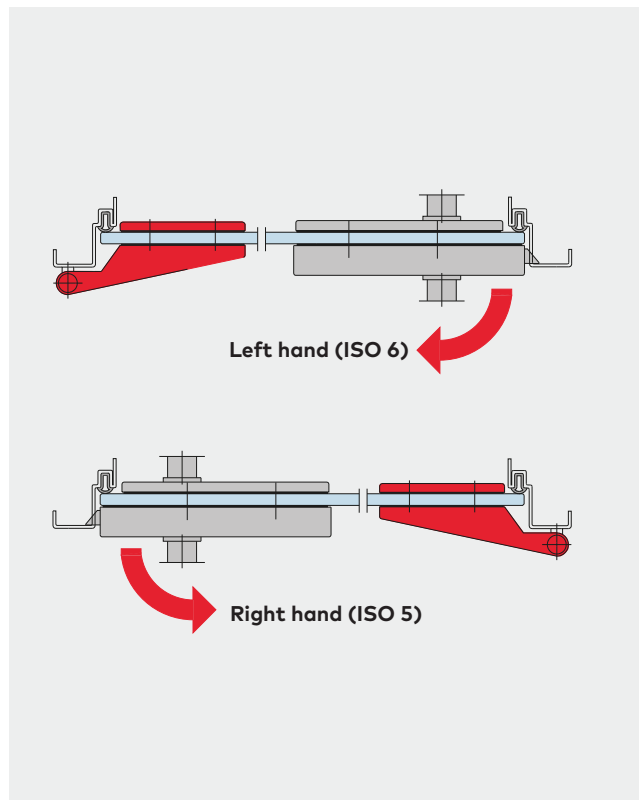
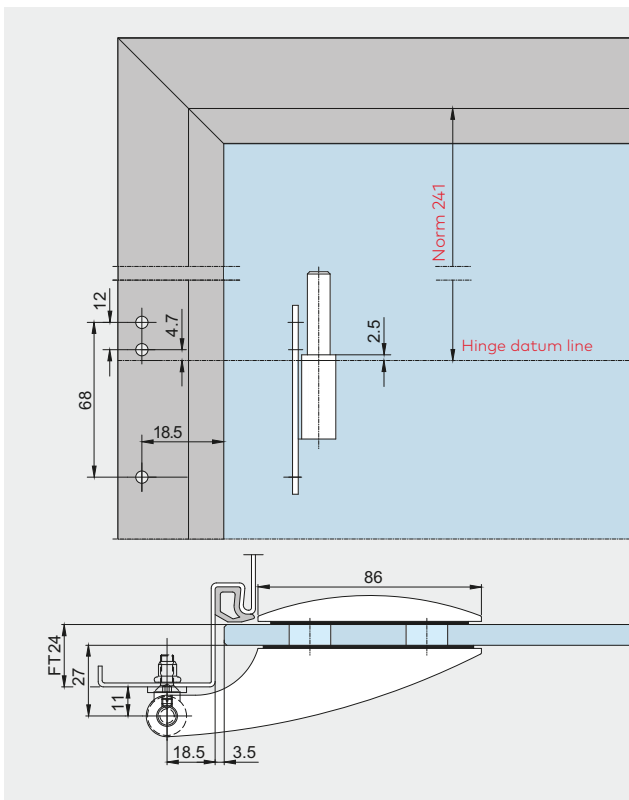
Frame pivots for steel frames



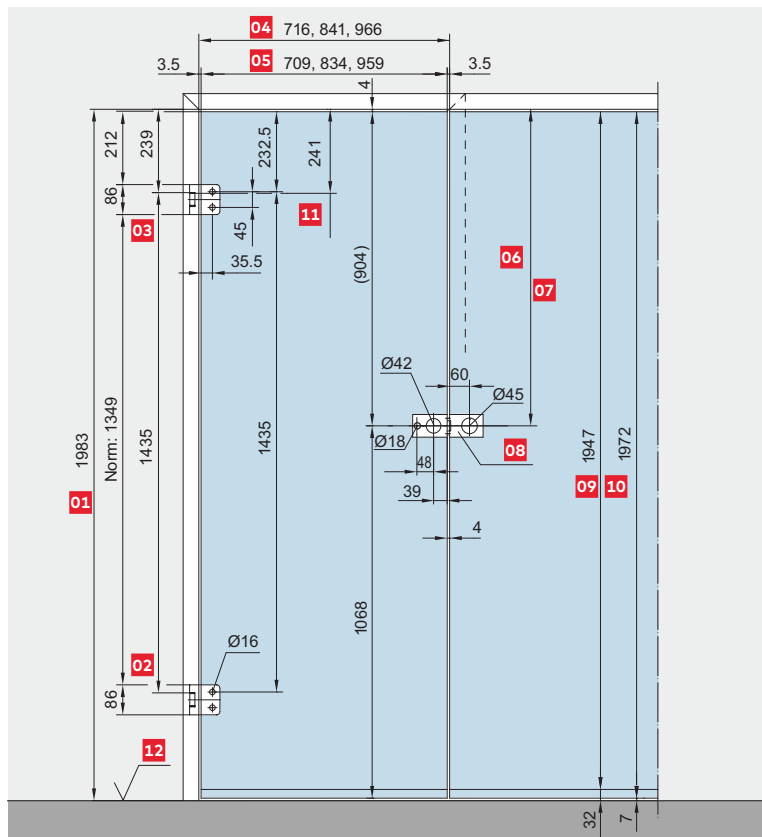
Frame pivots for wooden frames



Screw on frame pivot



Construction dimensions for frame pivots



- 01** Frame rebate height
- 02** Standard hinge support to DIN 18 111
- 03** Standard hinge support
- 04** Frame rebate width
- 05** Glass width
- 06** Centre lock bolt
- 07** Usually 908 mm for doors 1,972 mm high
- 08** Strike box
- 09** Glass height (type S)
- 10** Glass height (type N)
- 11** Hinge datum line to DIN 18 268
- 12** Finished floor level (FFL)

Space for your notes

Content

68	Technical features
68	Components
90	Type illustrations
104	Accessories
118	Range of levers
157	Safety-related information



OFFICE Junior

Technical features

- Lock insert with low-noise “whisper” functionality as standard. The whisper latch (study metal latch – partially plastics-sheathed and damped latch motions for noise minimisation) satisfy particularly high expectations, including the requirements of government agencies and public authorities.
- Adjustable lever handle follower + / – 1°, patent pending, for avoidance of “lever handle sag” (droop). Further on a special spring supported clamp follower holds the lever handle perfectly secure.
- The fully closed lock case provides optimum protection for the internal components which themselves are of rugged unit construction.
- Locks comply to the current DIN EN 12209. They are designed for use in public buildings.
- Moreover these locks were tested successfully by a neutral testing institute with 500,000 latch and 100,000 locking bolt operating cycles.
- Special versions of the fitting manufactured in high-grade corrosion-resistant materials are available for wet room applications.

Locks for levers with roses

Complying to the current DIN EN 12209 (see page 6).

Locks supplied as standard for 8 mm glass thickness / 24 mm rebate depth, 10 mm glass thickness / 26 mm rebate depth resp.

Hinges page 71 (also to suit doors with no over-rebate and rebate depth 25 – 40 mm)

	Product description	Art. No.
	<p>Lock prepared for Europrofile cylinder, nightlatch function, extended colour options, also available in brass or stainless steel</p> <p>Weight in kg: alumin. 1.214 brass 1.542 stainless steel 1.505</p>	<p>11.200 L 11.201 R (not illustr.)</p>
	<p>Lock prepared for Europrofile cylinder, nightlatch function, lock corrosion-resistant</p> <p>Weight in kg: alumin. 1.230</p>	<p>11.210 L 11.211 R (not illustr.)</p>
	<p>Lock non-locking, extended colours options, also available in stainless steel</p> <p>Weight in kg: alumin. 1.210 brass 1.368</p>	<p>11.212 L 11.213 R (not illustr.)</p>

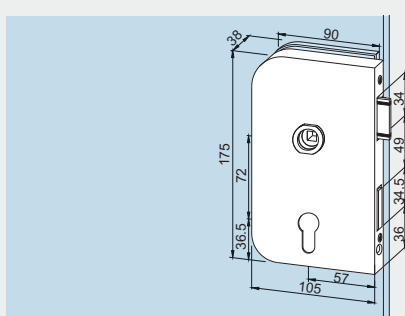
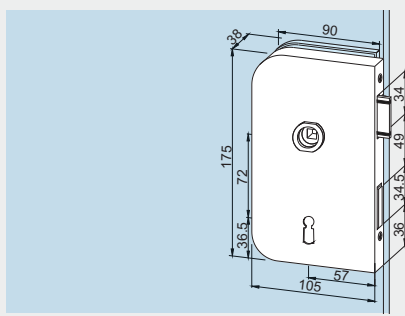
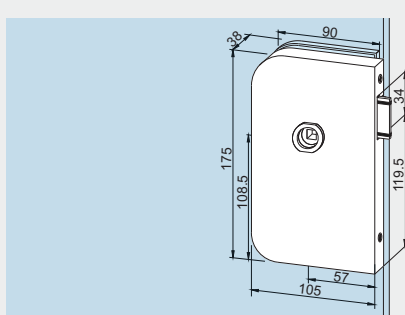
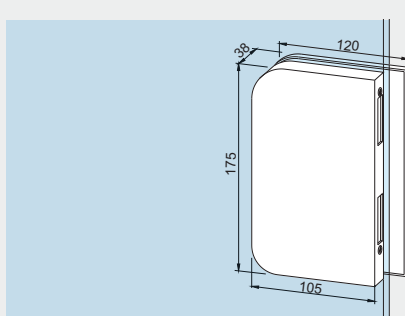
	Product description	Art. No.
	<p>Lock prepared for Europrofile cylinder, nightlatch function, cylinder rose on lock side, extended colour options, also available in brass</p> <p>Weight in kg: alumin. 1.200</p>	<p>11.242 L 11.243 R (not illustr.)</p>
	<p>Lock prepared for Europrofile cylinder, nightlatch function, cylinder roses on both sides, extended colour options, also available in brass</p> <p>Weight in kg: alumin. 1.214</p>	<p>11.228 L 11.229 R (not illustr.)</p>
	<p>Lock lever lock, without nightlatch function, 2 keys supplied, also available in stainless steel</p> <p>Weight in kg: alumin. 1.115 stainless steel 1.383</p>	<p>11.202 L 11.203 R (not illustr.)</p>
	<p>Lock prepared for KABA, nightlatch function</p> <p>Weight in kg: alumin. 1.075</p>	<p>11.240 L 11.241 R (not illustr.)</p>
	<p>Lock bathroom lock function</p> <p>Weight in kg: alumin. 1.040</p>	<p>11.204 L 11.205 R (not illustr.)</p>
	<p>Lock bathroom lock function, lock corrosion resistant</p> <p>Weight in kg: alumin. 1.210</p>	<p>11.214 L 11.215 R (not illustr.)</p>
	<p>Strike box for pairs of doors, extended colour options, also available in brass</p> <p>Weight in kg: alumin. 1.019 brass 1.420 stainless steel 1.335</p>	<p>11.206 L 11.207 R (not illustr.)</p>

Locks with follower

Complying to the current DIN EN 12209 (see page 6).

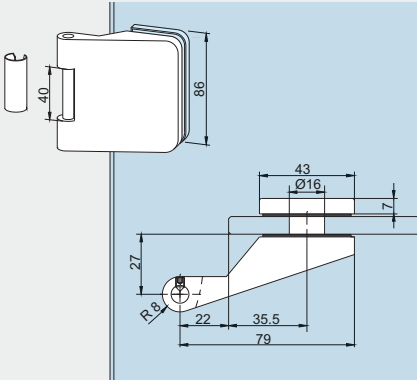
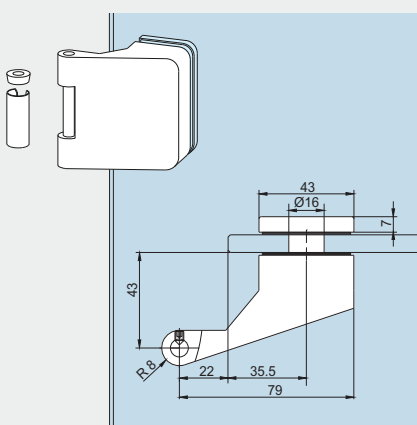
Locks supplied as standard for 8 mm glass thickness / 24 mm rebate depth, 10 mm glass thickness / 26 mm rebate depth resp.

Prepared for all levers without roses with 8 mm square spindles, spindle length for 44 mm lock thickness and 18 mm Ø follower, max. 8 mm long.
Hinges page 71 (also to suit doors with no over-rebate and rebate depth 25 – 40 mm)

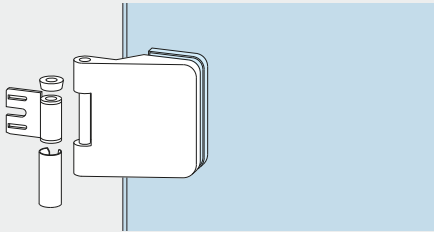
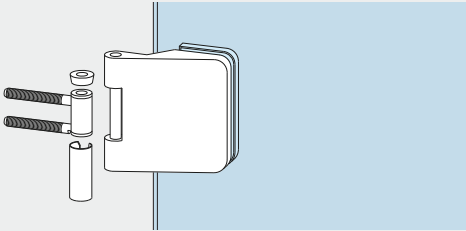
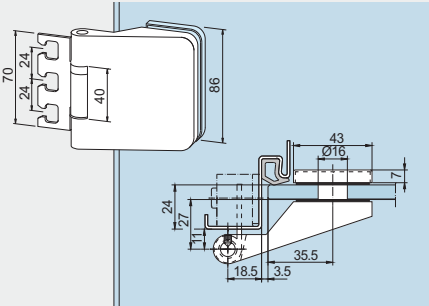
	Product description	Art. No.
	<p>Lock prepared for Europrofile cylinder, nightlatch function, extended colour options, also available in brass or stainless steel</p> <p>Weight in kg: alumin. 1.165 brass 1.598 stainless steel 1.445</p>	<p>11.260 L 11.261 R (not illustr.)</p>
	<p>Lock lever lock, without nightlatch function, 2 keys supplied, also available in stainless steel</p> <p>Weight in kg: alumin. 1.115 stainless steel 1.383</p> <p>Lock prepared for KABA, without nightlatch function, 2 keys supplied, also available in stainless steel</p> <p>Weight in kg: alumin. 1.113 stainless steel 13.78</p>	<p>11.262 L 11.263 R (not illustr.)</p> <p>11.266 L 11.267 R (not illustr.)</p>
	<p>Lock non-locking, also available in stainless steel</p> <p>Weight in kg: alumin. 1.040 stainless steel 1.290</p>	<p>11.264 L 11.265 R (not illustr.)</p>
	<p>Strike box for pairs of doors, extended colour options, also available in brass</p> <p>Weight in kg: alumin. 0.945 brass 1.488 stainless steel 1.335</p>	<p>11.206 L 11.207 R (not illustr.)</p>

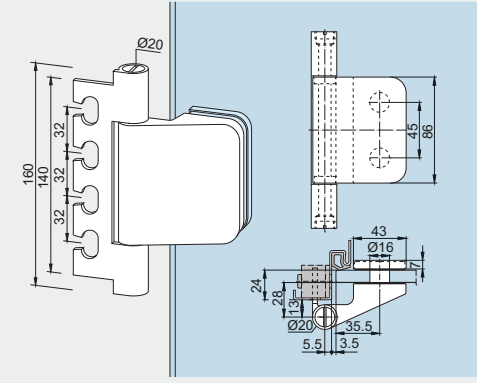
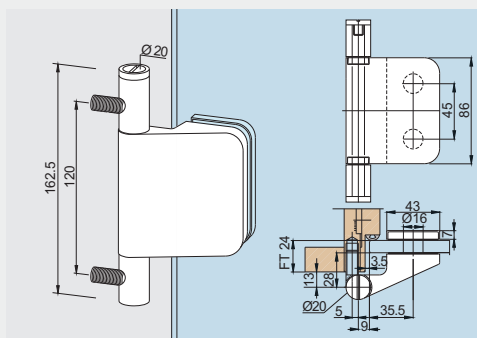
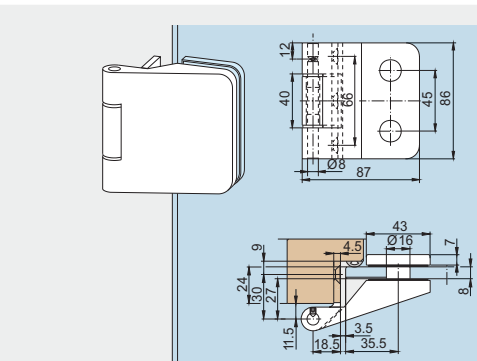
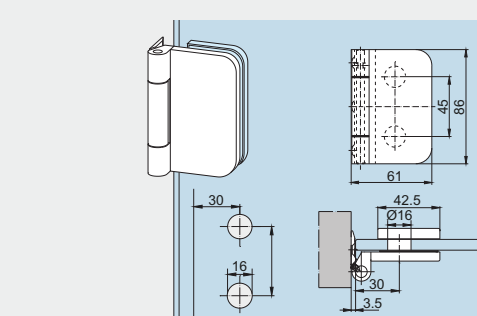
Hinges for frame pivots

For 8 mm glass thickness / 24 mm rebate depth, 10 mm glass thickness / 26 mm rebate depth resp., max. door width 1,000 mm.

	Product description	Art. No.
	<p>Hinge for frame pivot complete with sleeve, zinc plated steel pin, door weight max. 55 kg</p> <p>Weight in kg: alumin. 0.358 brass 0.787</p> <p>Hinge for frame pivot complete with sleeve, stainless steel pin, to be used in damp environments, door weight max. 55 kg</p> <p>Weight in kg: alumin. 0.360</p> <p>Hinge for frame pivot complete with sleeve, to suit rebate depth 25 – 39 mm, door weight max. 45 kg,</p> <p>Weight in kg: alumin. 0.530</p> <p>Hinge for frame pivot complete with sleeve, to suit rebate depth 40 mm, door weight max. 45 kg</p> <p>Weight in kg: alumin. 1.111</p> <p>Hinge for frame pivot complete with sleeve and ball bearing, door weight max. 60 kg, also available in brass or stainless steel</p> <p>Weight in kg: alumin. 0.385 brass 0.792 stainless steel 0.493</p> <p>* Finish satin stainless steel (700), not usable with screw-on frame pivot 11.405 (page 109).</p>	<p>11.230*</p> <p>11.237</p> <p>11.245 (not illustr.)</p> <p>11.238 (not illustr.)</p> <p>11.234* (not illustr.)</p>
	<p>Hinge for frame pivot complete with sleeve, to suit rebate depth 40 mm with steel ball bearing, door weight max. 45 kg</p> <p>Weight in kg: alumin. 1.100</p>	<p>11.244</p>

Hinges for frame pivots

	Product description	Art. No.
	<p>Hinge with frame pivot for steel frames complete with sleeve, steel ball bearing, door weight max. 60 kg, also available in brass or stainless steel</p> <p>Weight in kg: alumin. 0.423 brass 0.830 stainless steel 0.525</p>	11.321
	<p>Hinge with frame pivot for wooden frames with sleeve, steel ball bearing, door weight max. 60 kg, also available in brass or stainless steel</p> <p>Weight in kg: alumin. 0.407 brass 0.840 stainless steel 0.505</p>	11.232
	<p>Hinge with frame pivot for steel frames with 120 mm type frame pocket, complete with sleeve, steel ball bearing, door weight max. 60 kg, also available in brass or stainless steel</p> <p>Weight in kg: alumin. 0.435 brass 0.851 stainless steel 0.539</p>	11.247

	Product description	Art. No.
	<p>Hinge for project doors with 160 mm type frame portion (mating pocket VN 7608/160 3D or VZK 060-1/3 – not included in scope of delivery), stainless steel pin, plastic slide bearing door weight max. 70 kg, door width max. 1.200 mm</p> <p>do. for 40 mm rebate depth door weight max. 45 kg</p> <p>Weight in kg: alumin. 0.519</p>	<p>11.233</p> <p>11.340 (not illustr.)</p>
	<p>Hinge for project doors with frame pivot for wooden frames, zinc plated frame pivots, zinc plated steel pin, plastic slide bearing, door weight max. 70 kg, door width max. 1.200 mm</p> <p>Weight in kg: alumin. 0.596</p> <p>Note: Consider separate frame processing</p>	<p>11.298</p>
	<p>Hinge with frame pivot for wooden frames, hinge flap for mortising into frame, zinc plated steel pin, plastic bushing, door weight max. 55 kg, door width max. 1.000 mm</p> <p>Weight in kg: alumin. 0.425</p>	<p>11.239</p>
	<p>Hinge with frame pivot for non-rebated frames, hinge flap for screwing onto frame, stainless steel pin, plastic bushing, door weight max. 40 kg, door width max. 1.000 mm</p> <p>Weight in kg: alumin. 0.205</p>	<p>12.050</p>

Content

76	Technical features
76	Components
90	Type illustrations
104	Accessories
118	Range of levers
157	Safety-related information



OFFICE Classic

Technical features

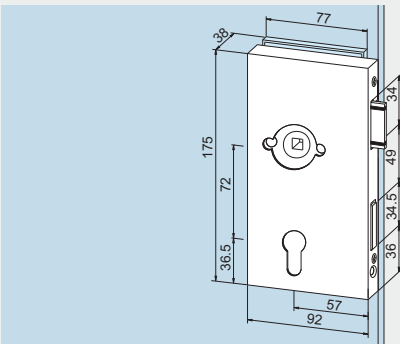
- Lock insert with low-noise "whisper" functionality as standard. The whisper latch (study metal latch – partially plastics-sheathed and damped latch motions for noise minimisation) satisfy particularly high expectations, including the requirements of government agencies and public authorities.
- Adjustable lever handle follower + / – 1°, patent pending, for avoidance of "lever handle sag" (droop). Further on a special spring supported clamp follower holds the lever handle perfectly secure.
- The fully closed lock case provides optimum protection for the internal components which themselves are of rugged unit construction.
- Locks comply to the current DIN EN 12209. They are designed for use in public buildings.
- Moreover these locks were tested successfully by a neutral testing institute with 500,000 latch and 100,000 locking bolt operating cycles.
- Special versions of the fitting manufactured in high-grade corrosion-resistant materials are available for wet room applications.

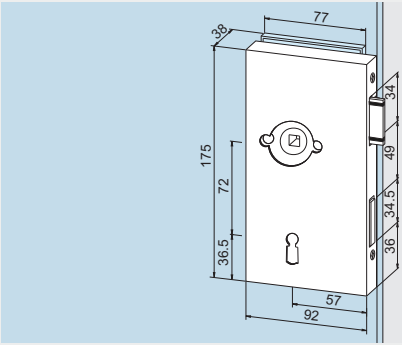
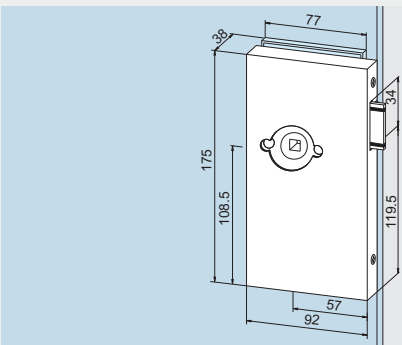
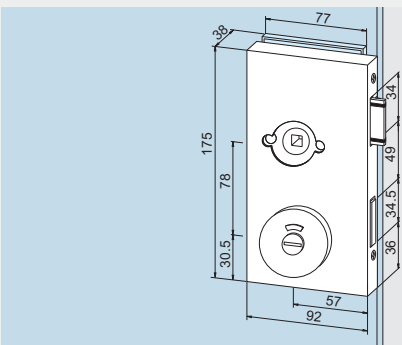
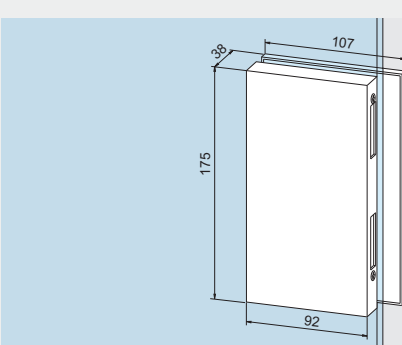
Locks for levers with roses

Complying to the current DIN EN 12209 (see page 6).

Locks supplied as standard for 8 mm glass thickness / 24 mm rebate depth, 10 mm glass thickness / 26 mm rebate depth resp.

Hinges page 79 (also to suit doors with no over-rebate and rebate depth 25 – 40 mm)

	Product description	Art. No.
	<p>Lock public building type, prepared for Europrofile cylinder, nightlatch function</p> <p>Weight in kg: alumin. 1.165</p>	<p>11.270 L 11.271 R (not illustr.)</p>

	Product description	Art. No.
	<p>Lock locking lever, nightlatch function, 2 keys supplied</p> <p>Weight in kg: alumin. 1.115</p> <p>Lock prepared for KABA, with nightlatch function</p> <p>Weight in kg: alumin. 1.113</p>	<p>11.272 L 11.273 R (not illustr.)</p> <p>11.278 L 11.279 R (not illustr.)</p>
	<p>Lock non-locking</p> <p>Weight in kg: alumin. 1.040</p>	<p>11.274 L 11.275 R (not illustr.)</p>
	<p>Lock bathroom lock function</p> <p>Weight in kg: alumin. 1.040</p>	<p>11.276 L 11.277 R (not illustr.)</p>
	<p>Strike box for pairs of doors</p> <p>Weight in kg: alumin. 0.945</p>	<p>11.286 L 11.287 R (not illustr.)</p>

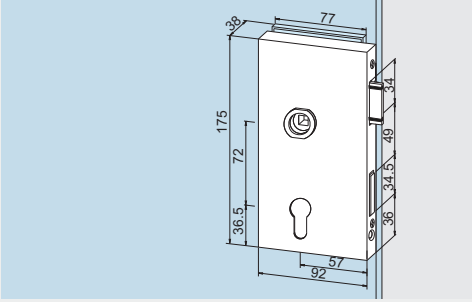
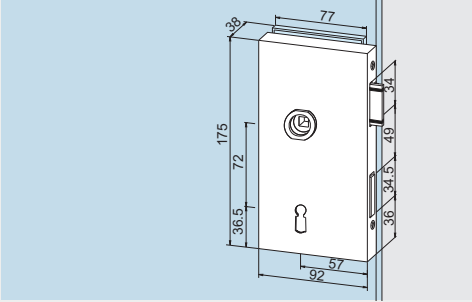
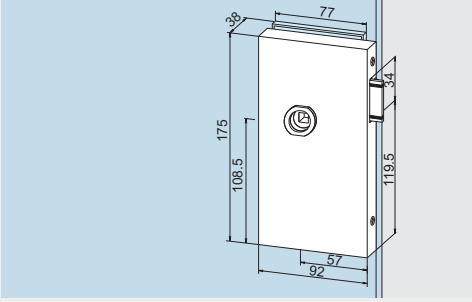
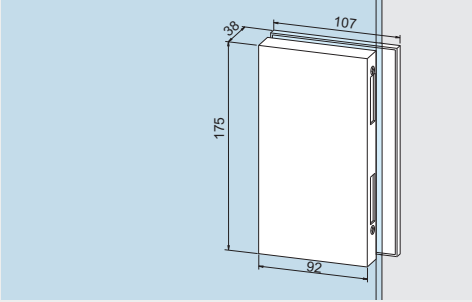
Locks with follower

Complying to the current DIN EN 12209 (see page 6).

Locks supplied as standard for 8 mm glass thickness / 24 mm rebate depth, 10 mm glass thickness / 26 mm rebate depth resp.

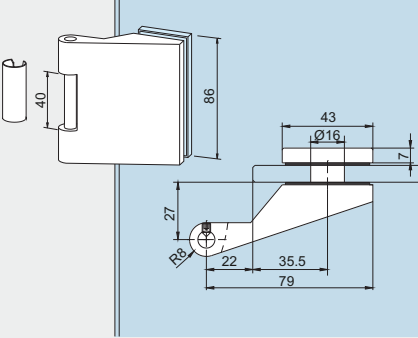
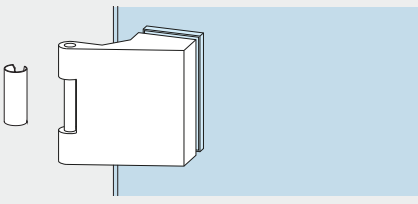
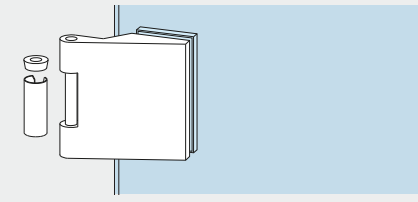
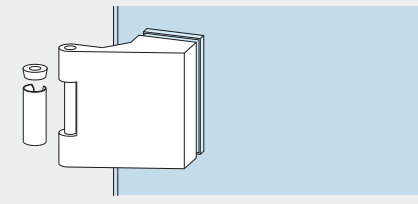
Prepared for all levers without roses with 8 mm square spindles, spindle length for 44 mm lock thickness and 18 mm Ø follower, max. 8 mm long.

Hinges page 79 (also to suit doors with no over-rebate and rebate depth 25 – 40 mm).

	Product description	Art. No.
	<p>Lock prepared for Europrofile cylinder, nightlatch function</p> <p>Weight in kg: alumin. 1.165</p>	<p>11.280 L 11.281 R (not illustr.)</p>
	<p>Lock lever lock, without nightlatch function, 2 keys supplied</p> <p>Weight in kg: alumin. 1.115</p> <p>Lock prepared for KABA, with nightlatch function, 2 keys supplied</p> <p>Weight in kg: alumin. 1.113</p>	<p>11.282 L 11.283 R (not illustr.)</p> <p>11.320 L 11.321 R (not illustr.)</p>
	<p>Lock non-locking</p> <p>Weight in kg: alumin. 1.040</p>	<p>11.284 L 11.285 R (not illustr.)</p>
	<p>Strike box for pairs of doors</p> <p>Weight in kg: alumin. 0.945</p>	<p>11.286 L 11.287 R (not illustr.)</p>

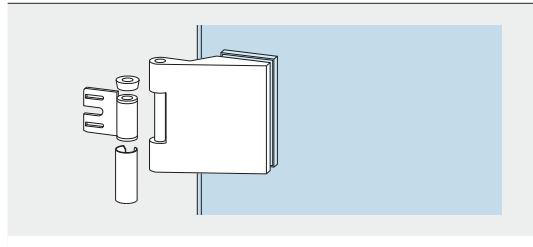
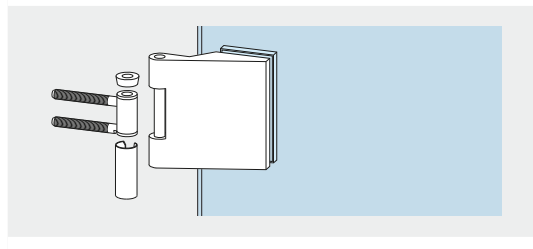
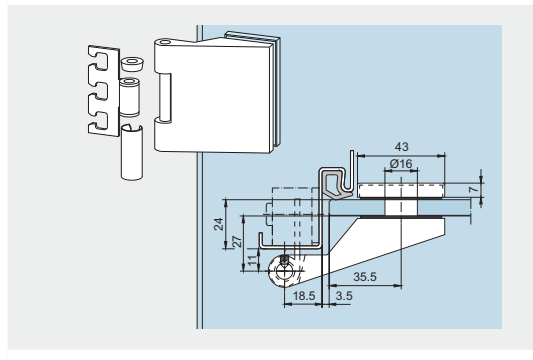
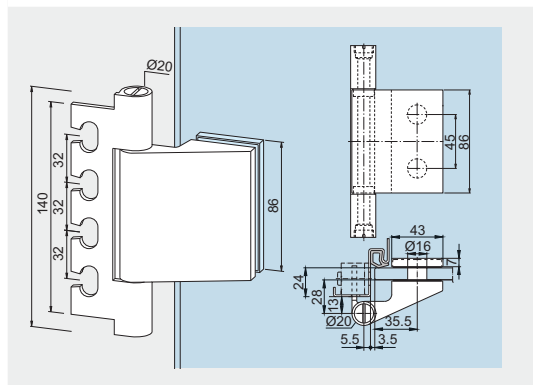
Hinges for / with frame pivots

For 8 mm glass thickness / 24 mm rebate depth, 10 mm glass thickness / 26 mm rebate depth resp., max. door width 1,000 mm.

	Product description	Art. No.
	<p>Hinge for frame pivot complete with sleeve, zinc plated steel pin, door weight max. 55 kg</p> <p>Weight in kg: alumin. 0.358 brass 0.787</p> <p>* Finish satin stainless steel (700), not usable with screw-on frame pivot 11.405 (page 92)</p>	<p>11.288*</p>
	<p>Hinge for frame pivot complete with sleeve, to suit rebate depth 40 mm, door weight max. 45 kg</p> <p>Weight in kg: alumin. 1.111</p>	<p>11.295</p>
	<p>Hinge for frame pivot complete with sleeve and ball bearing, door weight max. 60 kg</p> <p>Weight in kg: alumin. 0.385</p>	<p>11.292</p>
	<p>Hinge with frame pivot complete with sleeve, to suit rebate depth 40 mm, with steel ball bearing, door weight max. 45 kg</p> <p>Weight in kg: alumin. 1.100</p>	<p>11.296</p>

Hinges with frame pivots

For 8 mm glass thickness / 24 mm rebate depth, 10 mm glass thickness / 26 mm rebate depth resp., max. door width 1,000 mm.

	Product description	Art.-Nr.
	<p>Hinge with frame pivot complete with sleeve, to suit rebate depth 40 mm, with steel ball bearing, door weight max. 45 kg</p> <p>Weight in kg: alumin. 0.417</p>	<p>11.289</p>
	<p>Hinge with frame pivot for steel frames, complete with sleeve, steel ball bearing, door weight max. 60 kg</p> <p>Weight in kg: alumin. 0.407</p>	<p>11.290</p>
	<p>Hinge with frame pivot for steel frames with 120 mm type frame pocket, complete with sleeve, steel ball bearing, door weight max. 60 kg,</p> <p>Weight in kg: alumin. 0.451</p>	<p>11.293</p>
	<p>Hinge for project doors with 160 mm type frame portion (mating pocket VN 7608/160 3D or VZK 060-1/3 – not included in scope of delivery), stainless steel pin, plastic slide bearing, door weight max. 70 kg, door width max. 1.200 mm</p> <p>do. for 40 mm rebate depth, door weight max. 45 kg</p> <p>Weight in kg: alumin. 0.519</p>	<p>11.291</p> <p>11.341 (not illustr.)</p>

For 8 mm glass thickness / 24 mm rebate depth, 10 mm glass thickness / 26 mm rebate depth resp., max. door width 1,000 mm.

	Product description	Art.-Nr.
	<p>Hinge with frame pivot for wooden frames, hinge flap for mortising into frame, zinc plated steel pin, plastic bushing, door weight max. 55 kg, door width max. 1.000 mm</p> <p>Weight in kg: alumin. 0.425</p>	<p>11.342</p>
	<p>Hinge with frame pivot for non-rebated frames, hinge flap for screwing onto frame, stainless steel pin, plastic bushing, door weight max. 40 kg, door width max. 1.000 mm</p> <p>Weight in kg: alumin. 0.230</p>	<p>11.294</p>

Content

84	Components
90	Type illustrations
104	Accessories
118	Range of levers
157	Safety-related information



OFFICE Arcos

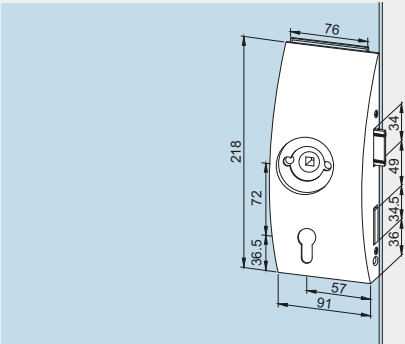
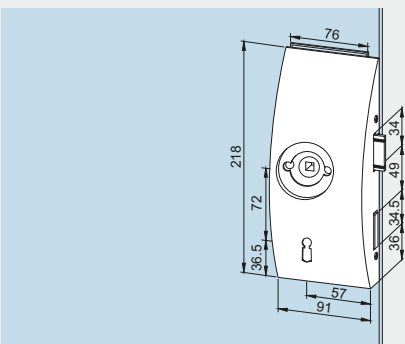
Locks for levers with roses

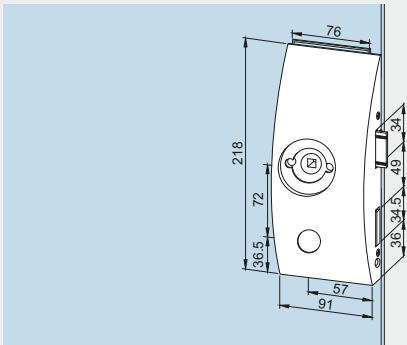
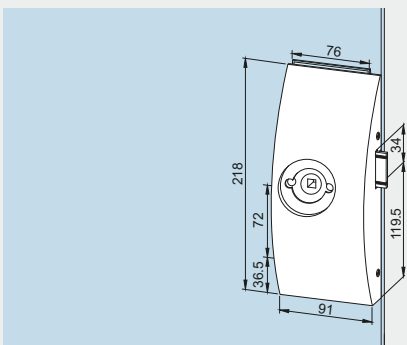
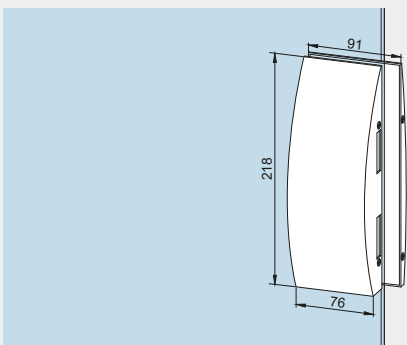
Complying to the current DIN EN 12209, successfully tested during extended type testing.

Locks supplied as standard for 8 mm glass thickness / 24 mm rebate depth, 10 mm glass thickness / 26 mm rebate depth resp..

- Lock insert with low-noise "whisper" functionality as standard. The whisper latch (study metal latch – partially plastics-sheathed and damped latch motions for noise minimisation) satisfy particularly high expectations, including the requirements of government agencies and public authorities.
- Adjustable lever handle follower + / - 1°, patent pending, for avoidance of "lever handle sag" (droop). Further on a special spring supported clamp follower holds the lever handle perfectly secure.

- The fully closed lock case provides optimum protection for the internal components which themselves are of rugged unit construction.
- Locks comply to the current DIN EN 12209. They are designed for use in public buildings.
- Moreover these locks were tested successfully by a neutral testing institute with 500,000 latch and 100,000 locking bolt operating cycles.
- Special versions of the fitting manufactured in high-grade corrosion-resistant materials are available for wet room applications.

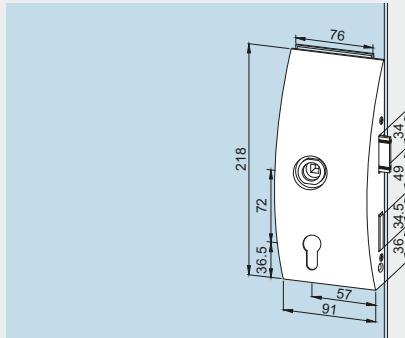
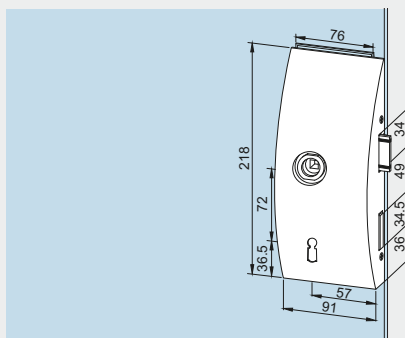
	Product description	Art. No.
	<p>Lock prepared for Europrofile cylinder, nightlatch function</p> <p>Weight in kg: alumin. 1.214</p>	<p>25.200 L 25.201 R (not illustr.)</p>
	<p>Lock lever lock, without nightlatch function, 2 keys supplied</p> <p>Weight in kg: alumin. 1.115</p>	<p>25.202 L 25.203 R (not illustr.)</p>

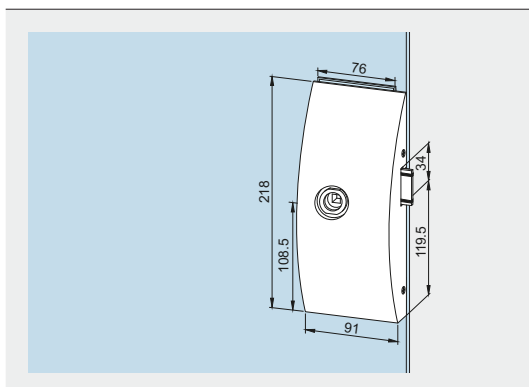
	Product description	Art. No.
	<p>Lock prepared for KABA, nightlatch function</p> <p>Weight in kg: alumin. 1.075</p>	<p>25.240 L 25.241 R (not illustr.)</p>
	<p>Lock non-locking</p> <p>Weight in kg: alumin. 1.040</p>	<p>25.208 L 25.209 R (not illustr.)</p>
	<p>Strike box for pairs of doors, extended colour options</p> <p>Weight in kg: alumin. 1.019</p>	<p>25.206 L 25.207 R (not illustr.)</p>

Locks with follower

Complying to the current DIN EN 12209, successfully tested during extended type testing (see page 86).

Locks supplied as standard for 8 mm glass thickness / 24 mm rebate depth, 10 mm glass thickness / 26 mm rebate depth resp.

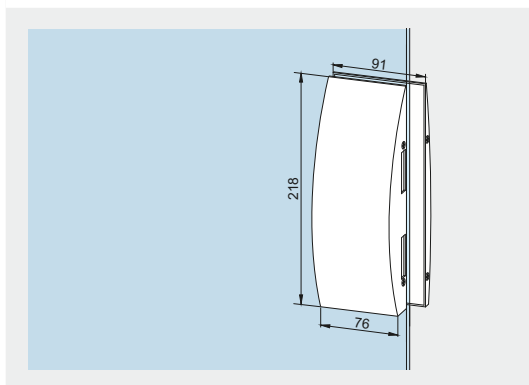
	Product description	Art. No.
	<p>Lock prepared for Europrofile cylinder, nightlatch function</p> <p>Weight in kg: alumin. 1.165</p>	<p>25.260 L 25.261 R (not illustr.)</p>
	<p>Lock lever lock, without nightlatch function, 2 keys supplied</p> <p>Weight in kg: alumin. 1.115</p>	<p>25.262 L 25.263 R (not illustr.)</p>

Product description**Art. No.**

Lock
non-locking

Weight in kg:
alumin. 1.040

25.264 L
25.265 R
(not illustr.)



Strike box
for pairs of doors,
extended colour options

Weight in kg:
alumin. 0.945

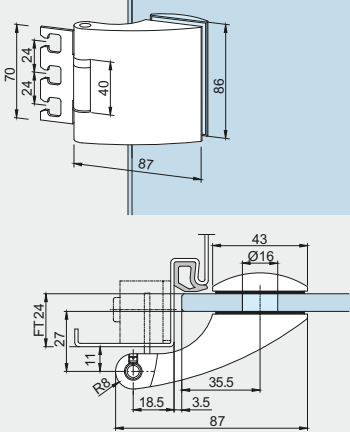
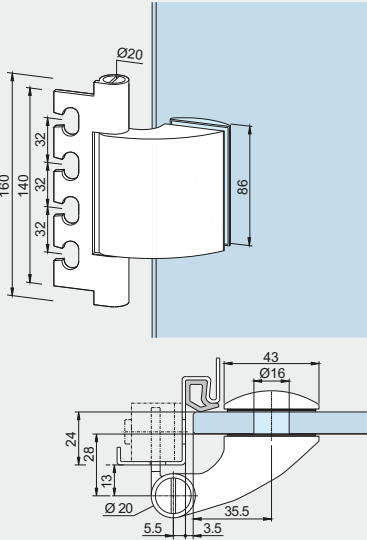
25.206 L
25.207 R
(not illustr.)

Hinges

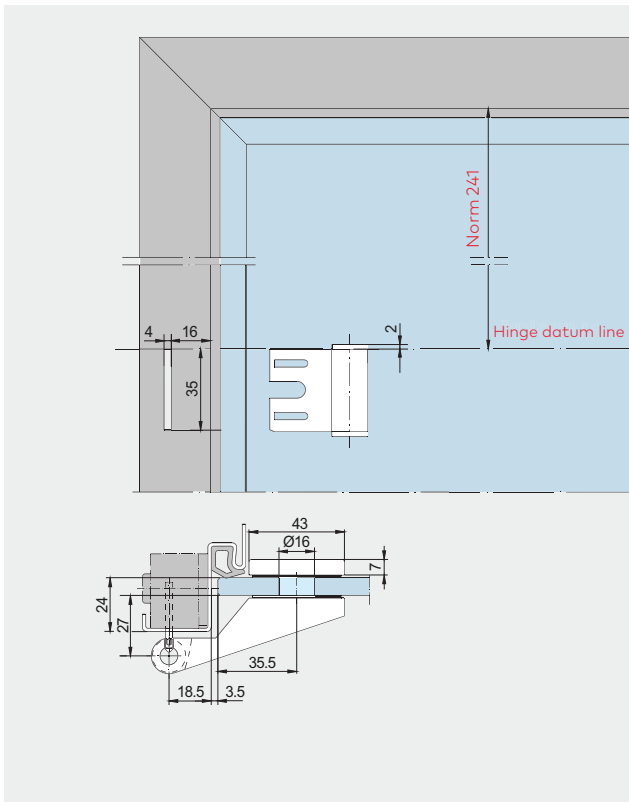
For 8 mm glass thickness / 24 mm rebate depth, 10 mm glass thickness / 26 mm rebate depth resp., max. door width 1,000 mm.

	Product description	Art. No.
	<p>Hinge for frame pivot complete with sleeve, zinc plated steel pin, door weight max. 55 kg</p> <p>Weight in kg: alumin. 0.358</p>	25.230
	<p>Hinge for frame pivot complete with sleeve, to suit rebate depth 40 mm, door weight max. 45 kg</p> <p>Weight in kg: alumin. 1.111</p>	25.238
	<p>Hinge for frame pivot complete with sleeve and ball bearing, door weight max. 55 kg</p> <p>Weight in kg: alumin. 0.385</p>	25.234
	<p>Hinge for frame pivot complete with sleeve, to suit rebate depth 40 mm with steel ball bearing, door weight max. 45 kg</p> <p>Weight in kg: alumin. 1.100</p>	25.244
	<p>Hinge with frame pivot for steel frames, complete with sleeve, steel ball bearing, door weight max. 60 kg</p> <p>Weight in kg: alumin. 0.423</p>	25.231
	<p>Hinge with frame pivot for wooden frames with sleeve, steel ball bearing, door weight max. 60 kg</p> <p>Weight in kg: alumin. 0.407</p>	25.232

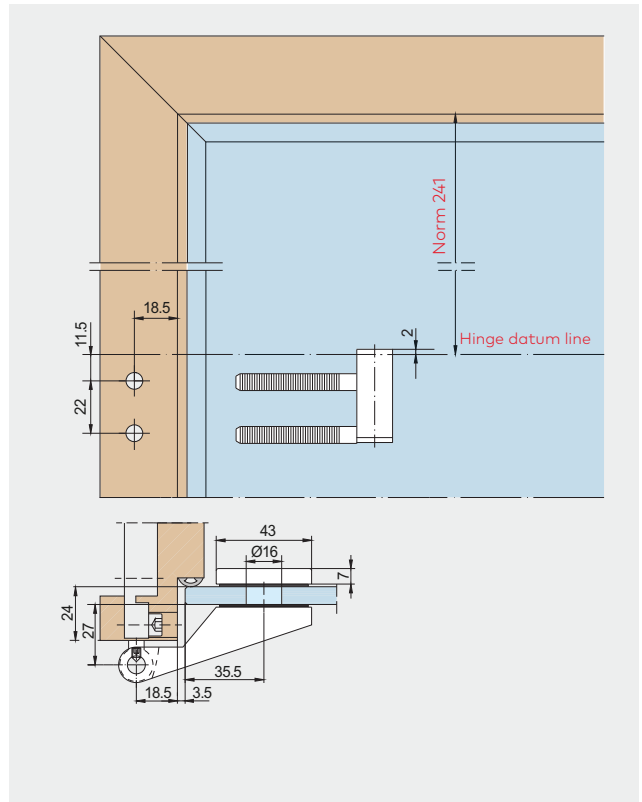
For 8 mm glass thickness / 24 mm rebate depth, 10 mm glass thickness / 26 mm rebate depth resp., max. door width 1,000 mm.

	Product description	Art. No.
	<p>Hinge with frame pivot for steel frames with 120 mm type frame pocket, complete with sleeve, steel ball bearing, door weight max. 60 kg,</p> <p>Weight in kg: alumin. 0.435</p>	<p>25.247</p>
	<p>Hinge for project doors with 160 mm type frame pocket (mating portion VN 7608/160 3D or VZK 060-1/3), stainless steel pin, KS-slide bearing door weight max. 70 kg, door width max. 1,200 mm</p> <p>Weight in kg: alumin. 0.519</p> <p>do. for 40 mm rebate depth</p> <p>Weight in kg: alumin. 0.,519</p>	<p>25.233</p> <p>25.340 (not illustr.)</p>

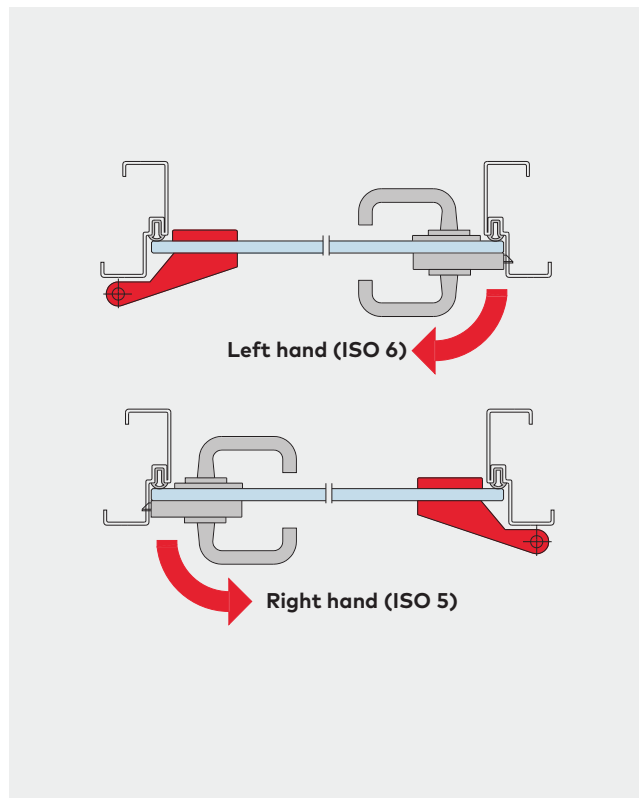
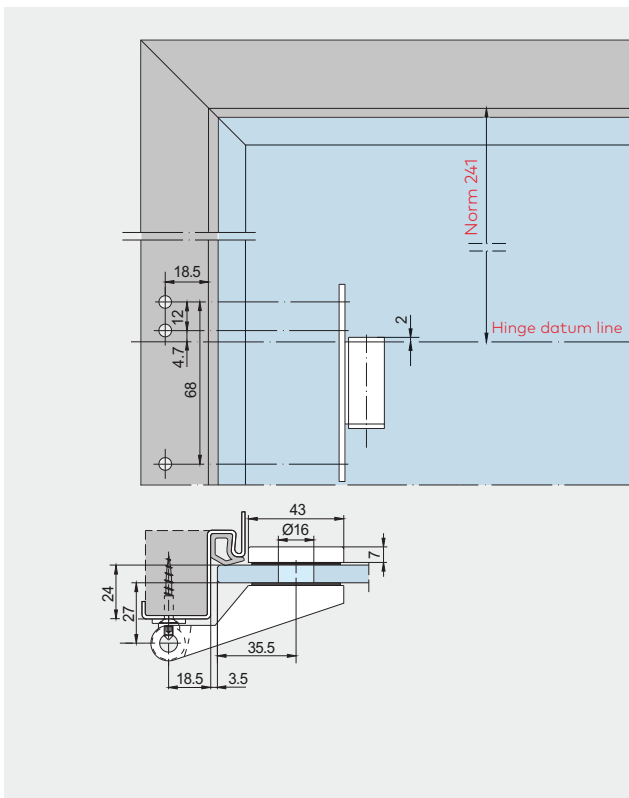
Frame pivots for steel frames



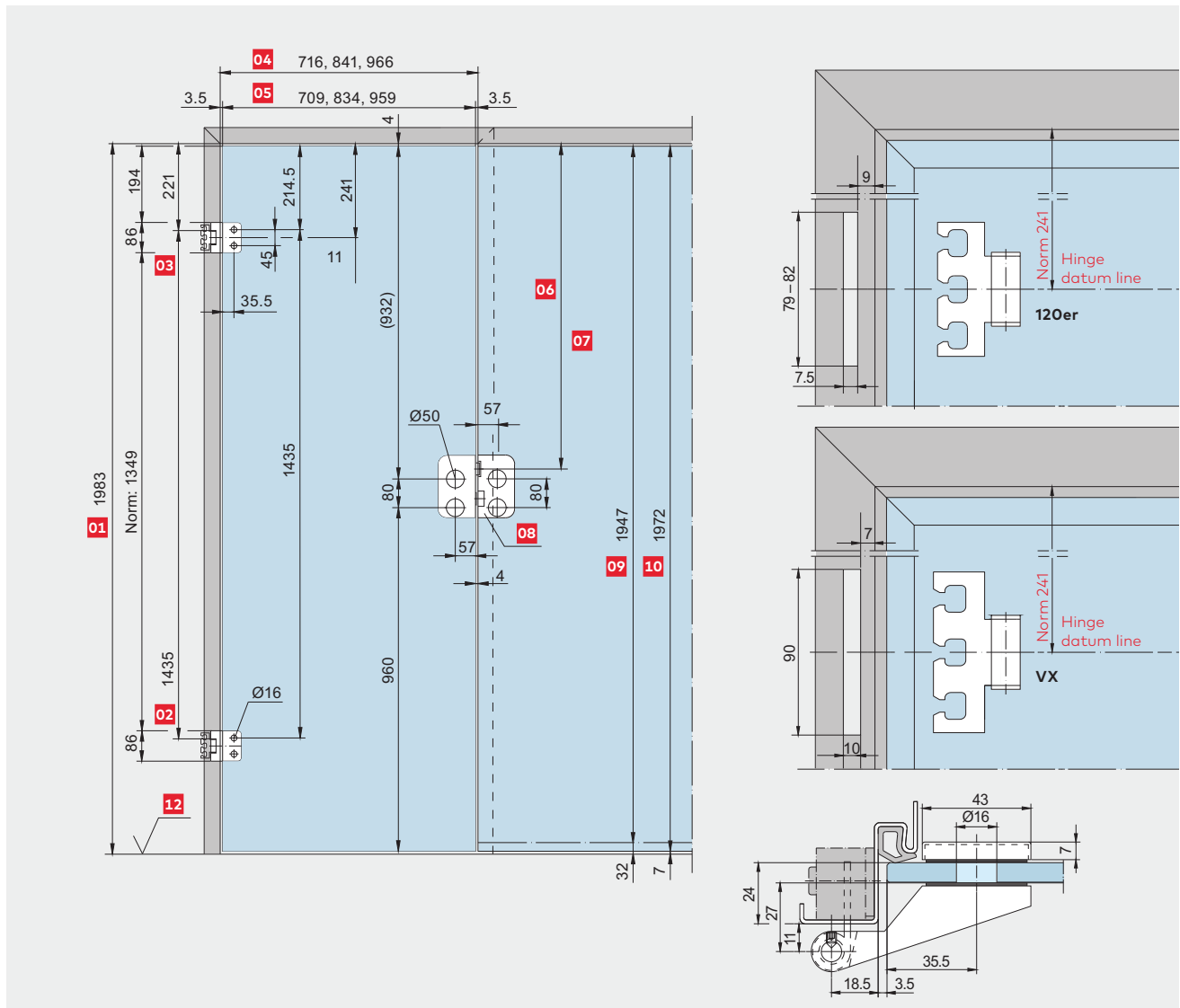
Frame pivots for wooden frames



Screw on frame pivot

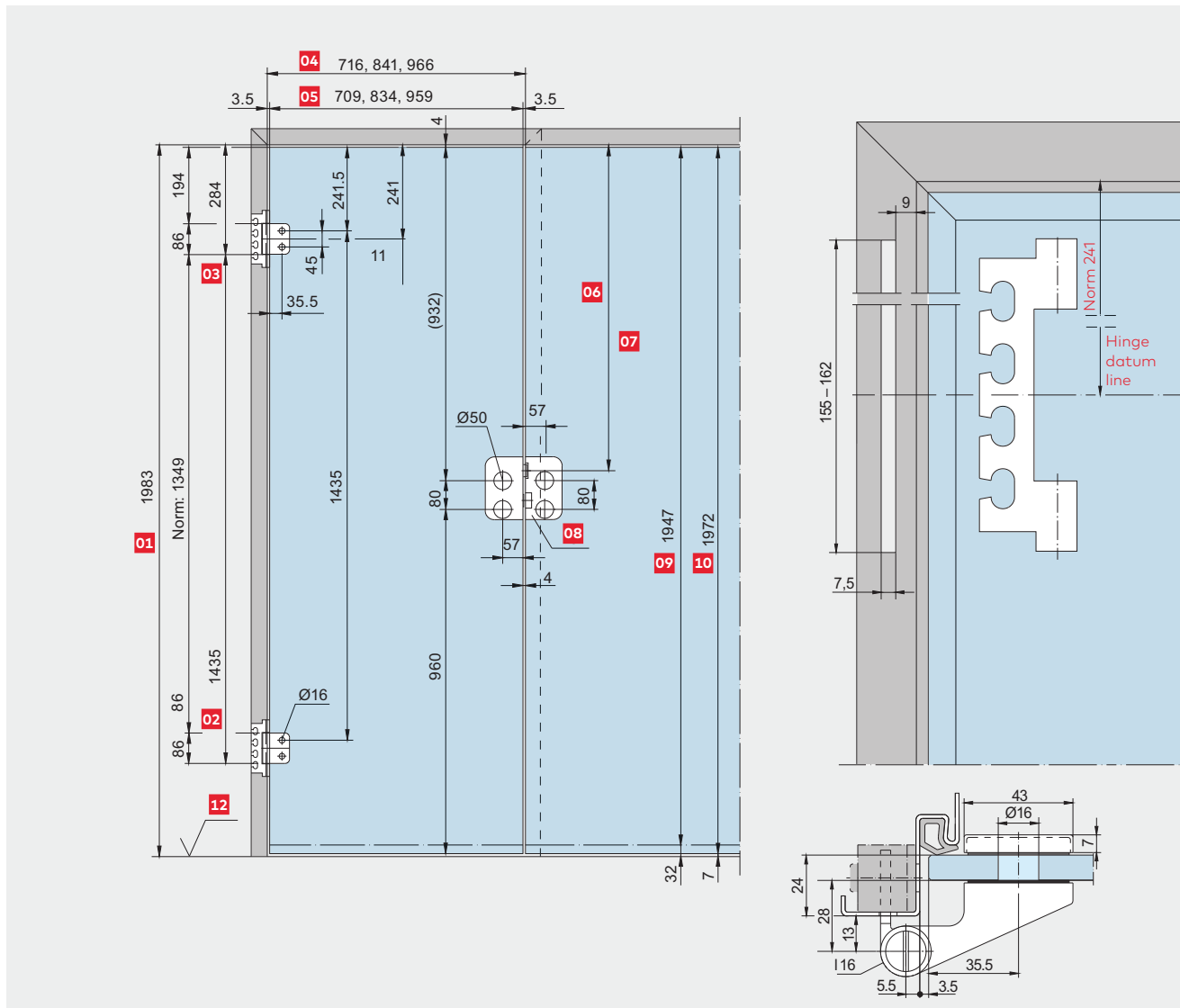


Frame pivot for 120 mm type frame pocket and VX frame pocket



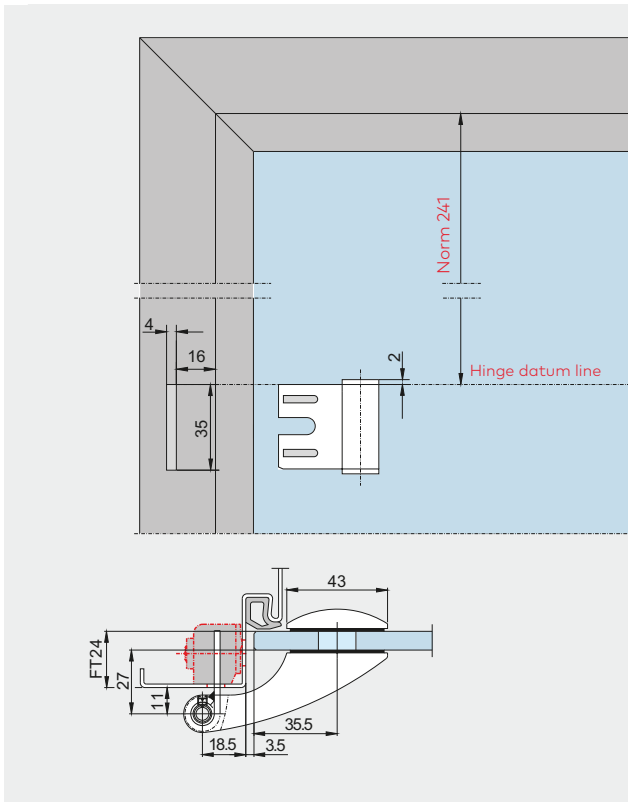
- | | | |
|---|---|---|
| 01
Frame rebate height | 05
Glass width | 09
Glass height (type S) |
| 02
Standard hinge support to DIN 18 111 | 06
Centre lock bolt | 10
Glass height (type N) |
| 03
Standard hinge support | 07
Usually 908 mm for doors 1,972 mm high | 11
Hinge datum line to DIN 18 268 |
| 04
Frame rebate width | 08
Strike box | 12
Finished floor level (FFL) |

Frame pivot for 160 mm type frame pocket

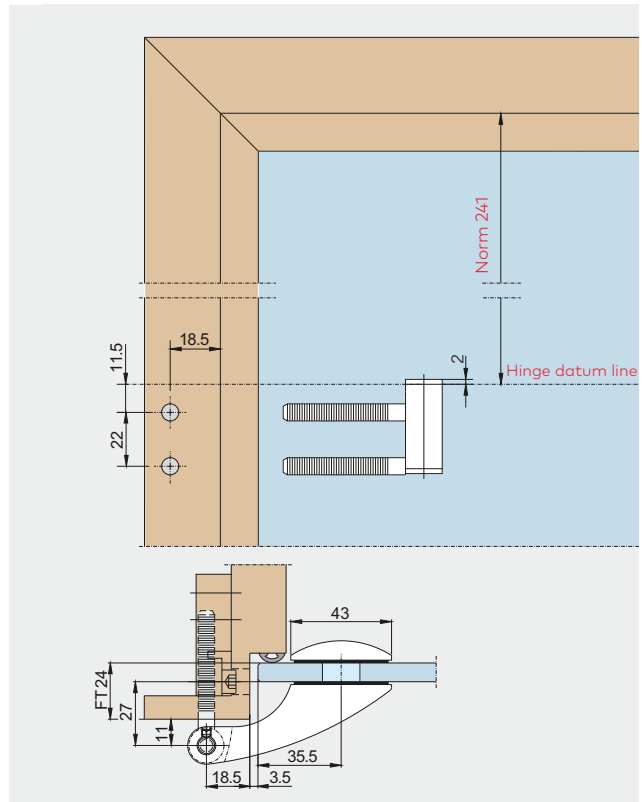


01 Frame rebate height	05 Glass width	09 Glass height (type S)
02 Standard hinge support to DIN 18 111	06 Centre lock bolt	10 Glass height (type N)
03 Standard hinge support	07 Usually 908 mm for doors 1,972 mm high	11 Hinge datum line to DIN 18 268
04 Frame rebate width	08 Strike box	12 Finished floor level (FFL)

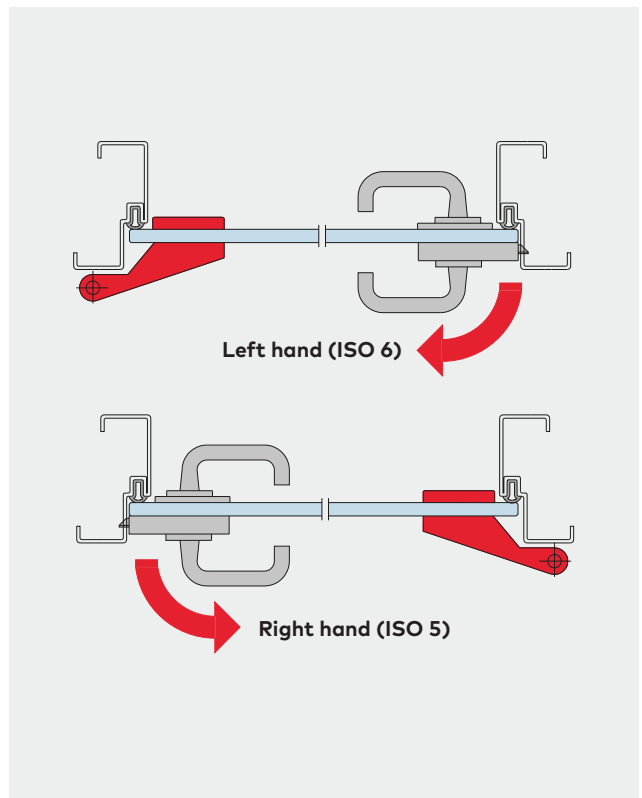
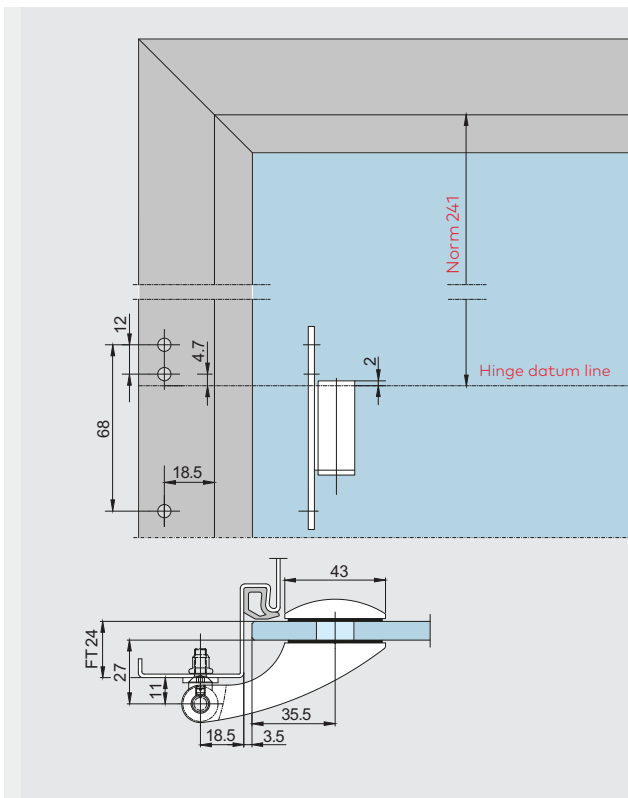
Frame pivot for steel frames



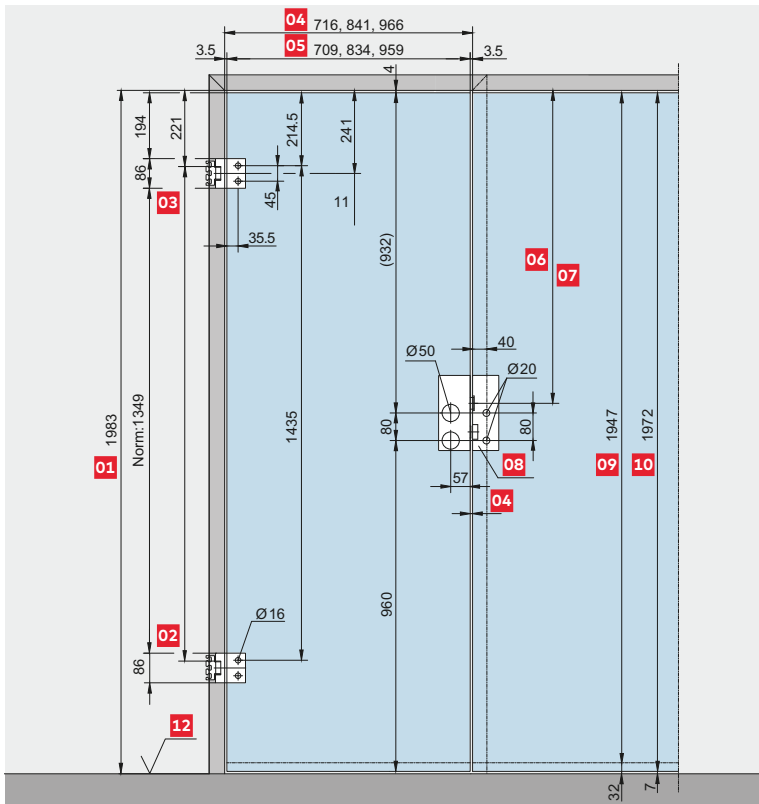
Frame pivot for wooden frames



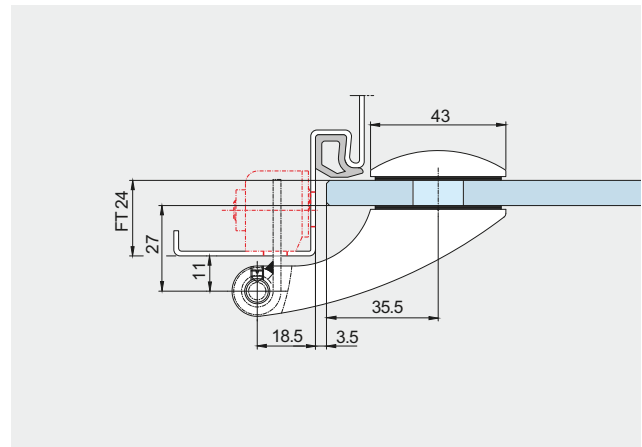
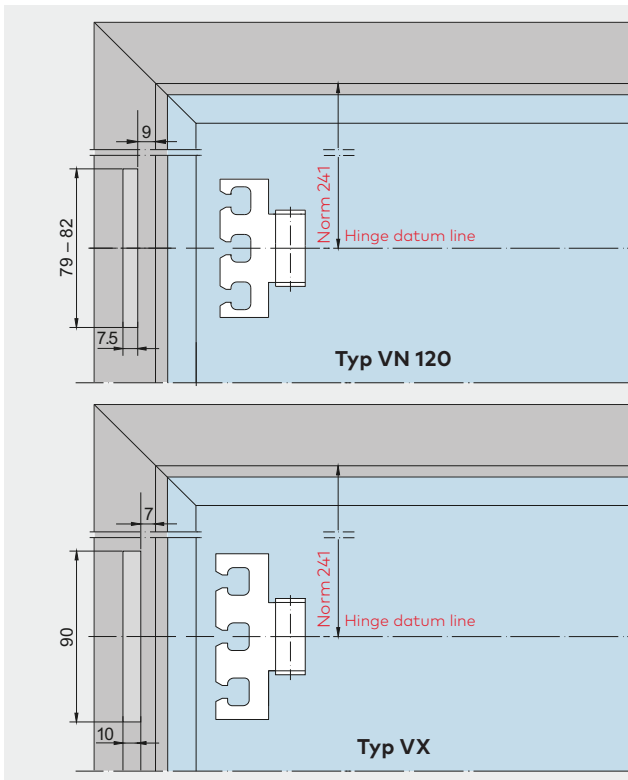
Screw on frame pivot



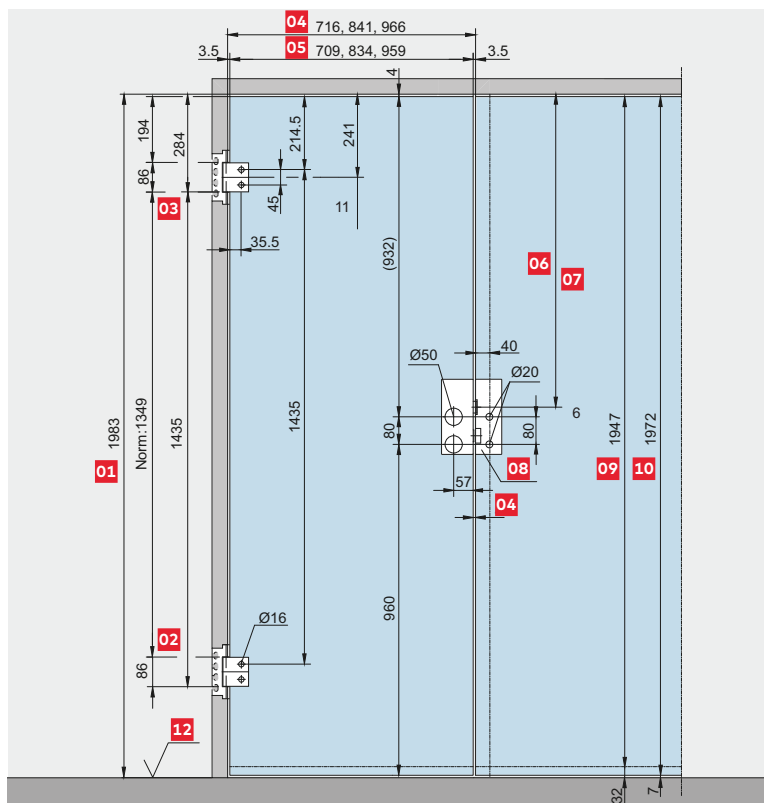
Frame pivot for frame pocket type VN 120 / type VX



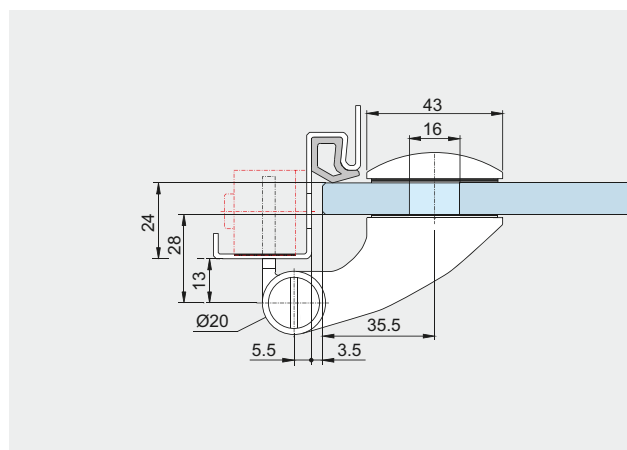
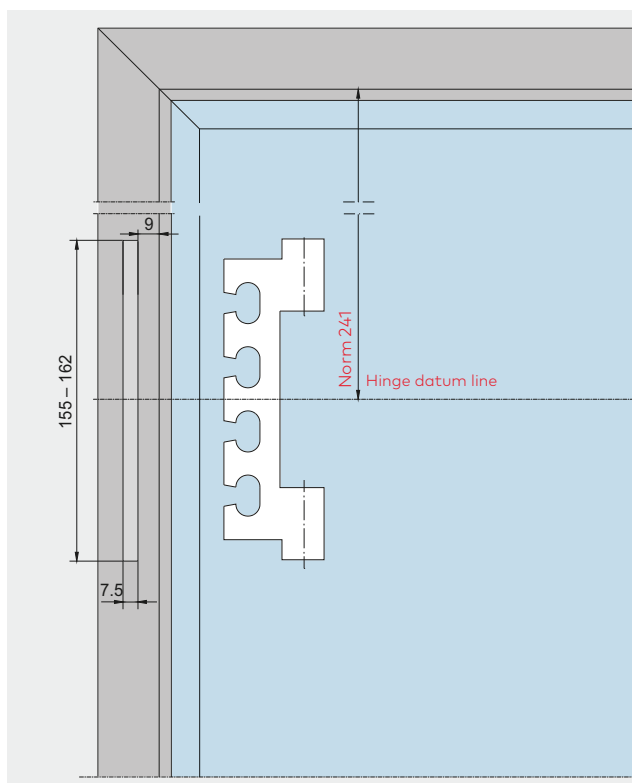
- 01** Frame rebate height
- 02** Standard hinge support to DIN 18 111
- 03** Standard hinge support
- 04** Frame rebate width
- 05** Glass width
- 06** Centre lock bolt
- 07** Usually 908 mm for doors 1,972 mm high
- 08** Strike box
- 09** Glass height (type S)
- 10** Glass height (type N)
- 11** Hinge datum line to DIN 18 268
- 12** Finished floor level (FFL)



For frame pocket type VN 160



- 01** Frame rebate height
- 02** Standard hinge support to DIN 18 111
- 03** Standard hinge support
- 04** Frame rebate width
- 05** Glass width
- 06** Centre lock bolt
- 07** Usually 908 mm for doors 1,972 mm high
- 08** Strike box
- 09** Glass height (type S)
- 10** Glass height (type N)
- 11** Hinge datum line to DIN 18 268
- 12** Finished floor level (FFL)



Content

100 **Components**

157 **Safety-related information**



Special hinges

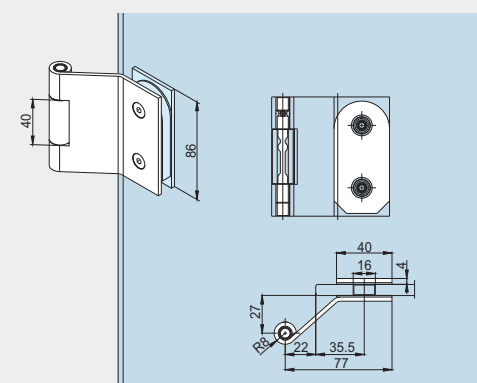
Stainless steel hinge for internal glass doors

for 8 mm and 10 mm glass.

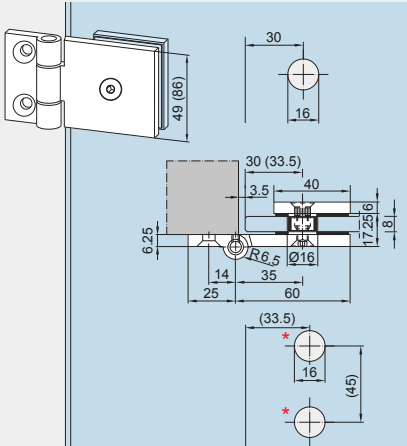
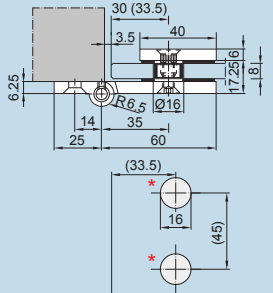
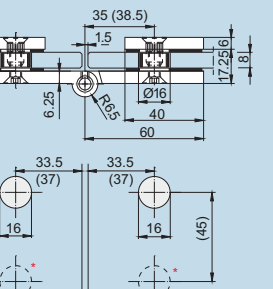
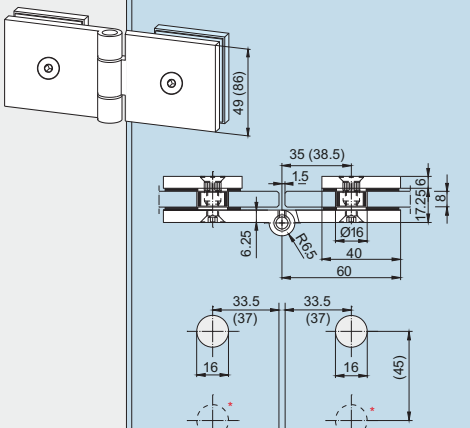
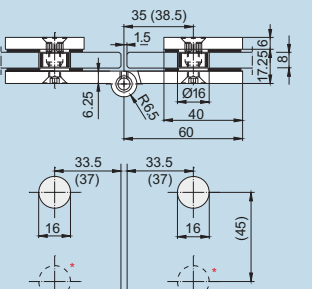
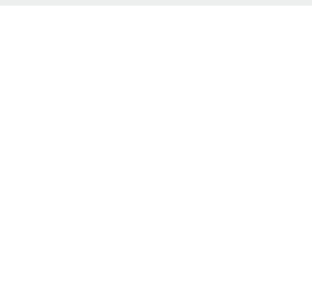
For 8 mm glass thickness / 24 mm rebate depth,
10 mm glass thickness / 26 mm rebate depth resp.,
max. door width 1,000 mm.

Hinges meet highest corrosion resistance
(EN 1670, class 4)

Versions with rounded angles also available
on request.

	Product description	Art. No.
	<p>Stainless steel hinge for frame pivot with stainless steel sleeve, stainless steel pin, door weight max. 55 kg</p> <p>Weight in kg: stainless steel 0.332</p>	<p>11.500</p>
	<p>Stainless steel hinge for frame pivot for rebate depth 40 mm, with stainless steel sleeve, stainless steel pin, door weight max. 45 kg</p> <p>Weight in kg: stainless steel 0.371</p> <p>Please note: Applications / glass preparation like Junior OFFICE and Junior OFFICE Classic (see page 92). Frame pivots on page 109.</p>	<p>11.502 (not illustr.)</p>

Hinges for 8 mm glass thickness

	Product description	Art. No.
	<p>Screw-on hinge without covers 49 mm, stainless steel pin, plastic bushing, door weight max. 30 kg</p> <p>Weight in kg: alumin. 0.130</p>	<p>12.010</p>
	<p>Screw-on hinge with 3 covers 49 mm, stainless steel pin, plastic bushing, door weight max. 30 kg</p> <p>Weight in kg: alumin. 0.152</p>	<p>12.011 (not illustr.)</p>
	<p>Screw-on hinge with cover for clamping plate, 86 mm, stainless steel pin, plastic bushing, door weight max. 45 kg</p> <p>Weight in kg: alumin. 0.215</p>	<p>12.012 (not illustr.)</p>
	<p>Double hinge without covers 49 mm, stainless steel pin, plastic bushing, door weight max. 30 kg</p> <p>Weight in kg: alumin. 0.208</p>	<p>12.030</p>
	<p>Double hinge with 4 covers 49 mm, stainless steel pin, plastic bushing, door weight max. 30 kg</p> <p>Weight in kg: alumin. 0.243</p>	<p>12.031 (not illustr.)</p>
	<p>Double hinge with covers for clamping plates, 86 mm, stainless steel pin, plastic bushing, door weight max. 45 kg</p> <p>Weight in kg: alumin. 0.344</p>	<p>12.032 (not illustr.)</p>

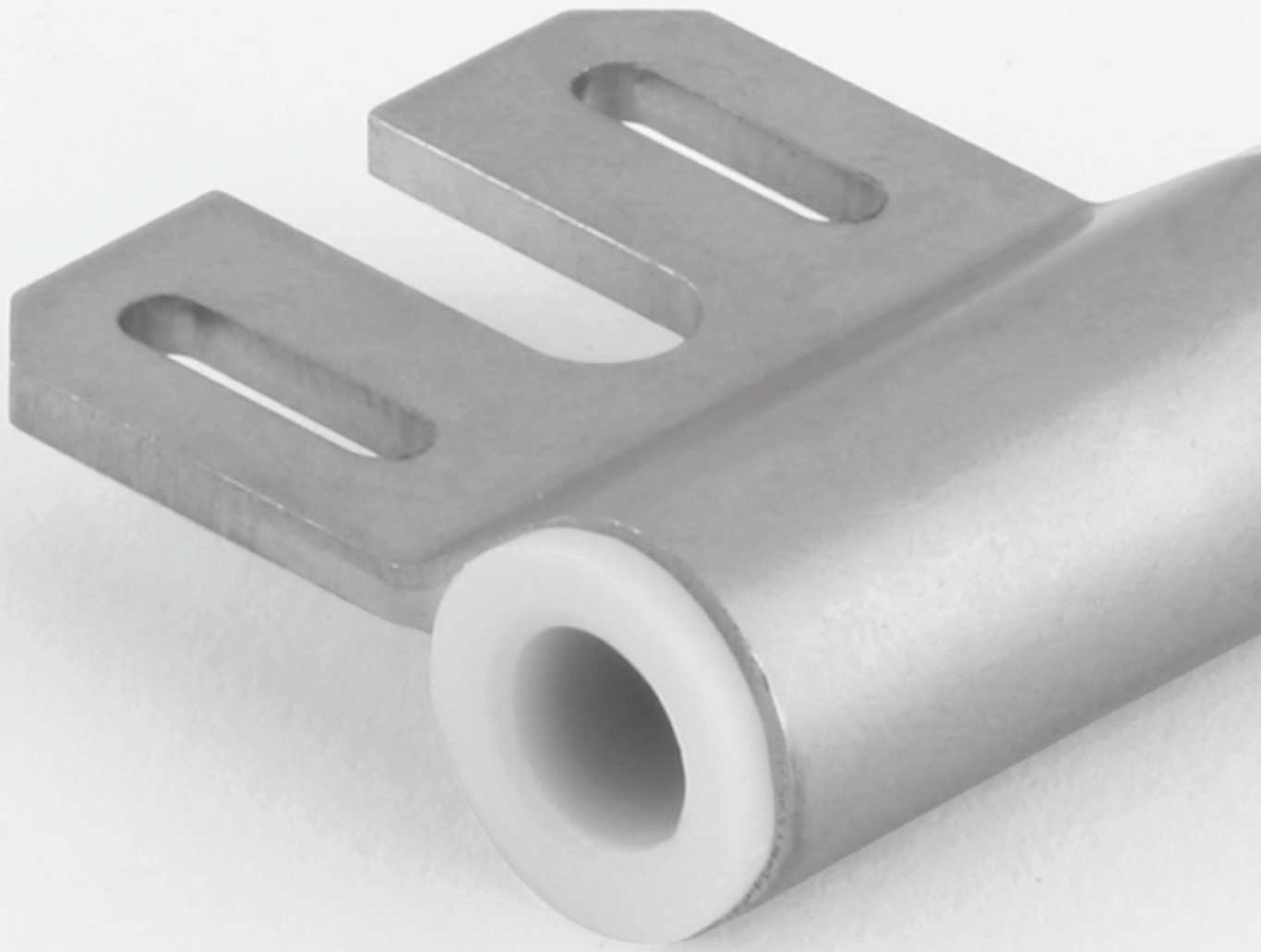
Corner hinges for 8 mm and 10 mm glass thickness

	Product description	Glass thickness	Art. No.
	<p>Corner hinges, pairs with free glass edge (for rebate) on top resp. under- neath and at side, height adjustable, extended colour options, door weight max. 35 kg</p>	<p>8 mm 10 mm</p>	<p>12.001 12.009</p>
	<p>Weight in kg: alumin. 0.130 brass 1.006</p>		
	<p>Pair of floor and top pivot for corner hinges, brass satin chromed, stainless steel pin</p>		<p>12.016</p>
	<p>Weight in kg: 0.182</p>		
	<p>Piece of floor socket / top pivot left bottom / top right</p>		<p>12.014</p>
<p>Weight in kg: 0.091</p>			
	<p>Piece of floor socket / top pivot right bottom / top left</p>		<p>12.015</p>
	<p>Weight in kg: 0.091</p>		
	<p>Frame fixed pivot for corner hinges, brass satin chromed, stainless steel pin</p>		<p>12.003</p>
	<p>Weight in kg: alumin. 0.132</p>		
	<p>Set of corner hinges for 8 and 10 mm glass thickness with free glass edge (for rebate) on top resp. underneath and at side (glass preparation like Art. No. 12.001)</p>		<p>12.040 L 12.041 R (not illustr.)</p>
	<p>Consisting of 1 floor pivot, 1 bottom corner hinge (height adjustable), 1 top pivot, 1 top corner hinge, door weight max. 80 kg door width max. 1.100 mm</p>		
	<p>Weight in kg: alumin. 0.825</p>		

Space for your notes

Content

106	Frame pivots for internal glass doors
108	Frame pocket, push-on sleeves
111	Door rails for internal doors
113	Door bolts / door catch
116	Accessories door closer
157	Safety-related information



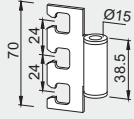
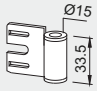
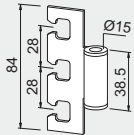
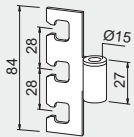
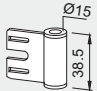
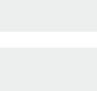
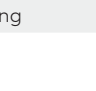
Accessories

Frame pivots for STUDIO

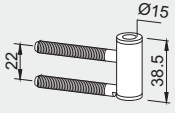
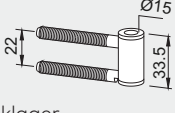
	Product description	Art. No.
	<p>Frame pivot for steel frames with extra enhanced pivot pin for STUDIO hinges, zinc plated steel, plastic coated pivot pin</p> <p>Weight in kg: 0.078</p>	10.423
	<p>Frame pivot for wooden frames with extra enhanced pivot pin for STUDIO hinges, zinc plated steel, plastic coated pivot pin</p> <p>Weight in kg: 0.090</p>	10.424
	<p>Screw-on frame pivot with extra enhanced pivot pin for STUDIO hinges, zinc plated steel, plastic coated pivot pin</p> <p>Weight in kg: 0.094</p>	10.407

Frame pivots for OFFICE

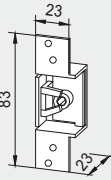
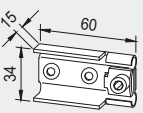
	Product description	Art. No.
	<p>Screw-on frame pivot zinc plated steel, plastic bushing, door weight max. 55 kg</p> <p>Weight in kg: 0.047</p> <p>Please note: not usable with Art. No. 11.230 with finish satin stainless steel (700)</p>	11.405
<p>for steel ball bearing</p>	<p>Screw-on frame pivot zinc plated steel, for steel ball bearing, plastic bushing, door weight max. 55 kg</p> <p>Weight in kg: 0.046</p> <p>Please note: not usable with Art. No. 11.234 with finish satin stainless steel (700)</p>	11.406

	Product description	Art. No.
	<p>Frame pivot for 120 mm type frame pocket stainless steel, door weight max. 55 kg</p> <p>Weight in kg: 0.071</p>	<p>11.308</p>
 <p>for steel ball bearing</p>	<p>Frame pivot for 120 mm type frame pocket stainless steel, for steel ball bearing, door weight max. 60 kg</p> <p>Weight in kg: 0.048</p>	<p>11.248</p>
	<p>Frame pivot for VX-frame pocket stainless steel, plastic bushing, for all VX-mating portions, door weight max. 55 kg</p> <p>Weight in kg: 0.060</p>	<p>11.304</p>
	<p>Frame pivot for VX-frame pocket stainless steel, for steel ball bearing, for all VX-mating portions, door weight max. 60 kg</p> <p>Weight in kg: 0.050</p>	<p>11.305</p>
	<p>Frame pivot for steel frames zinc plated steel, plastic bushing</p> <p>Weight in kg: 0.040</p>	<p>11.309</p>
	<p>Frame pivot for steel frames stainless steel, plastic bushing</p> <p>Weight in kg: 0.045</p>	<p>11.307</p>
 <p>for steel ball bearing</p>	<p>Frame pivot for steel frames zinc plated steel, for steel ball bearing, door weight max. 60 kg</p> <p>Weight in kg: 0.035</p>	<p>11.235</p>

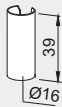
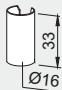
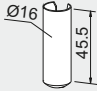
Frame pivots for OFFICE

	Product description	Art. No.
	Frame pivot for wooden frames zinc plated steel, plastic bushing Weight in kg: 0.055	11.310
 <p>für Kugeldrucklager</p>	Frame pivot for wooden frames zinc plated steel, for steel ball bearing, door weight max. 60 kg Weight in kg: 0.050	11.236

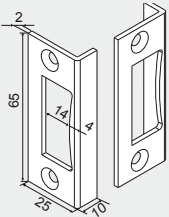
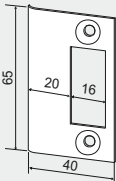
Frame pocket

	Product description	Art. No.
	Frame pocket for steel frame zinc plated steel Weight in kg: 0.073	10.406
	Frame pocket for wooden frame zinc plated steel Weight in kg: 0.060	10.405

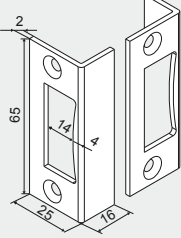
Push on sleeves

	Product description	Art. No.
	Push-on sleeve for frame pivots Art. No. 11.307 11.309 11.310 11.405 Weight in kg: alumin. 0.002	11.311
 for steel ball bearing	Push-on sleeve for frame pivots Art. No. 11.235 11.236 Weight in kg: alumin. 0.002	11.006
	Push-on sleeve for frame pivots Art. No. 10.400 10.404 10.407 Weight in kg: alumin. 0.002 alumin. 0.006	11.408

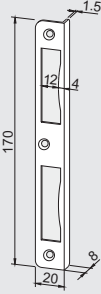
Strike plates

	Product description	Weight / kg	Art. No.
	Corner strike plate Weight in kg: alumin. 0.008	LM 0.008	10.401
	Corner strike plate Weight in kg: stainless steel 0.019 Strike plate Weight in kg: brass 0.022	ER 0.019 MS 0.022	10.421 10.422

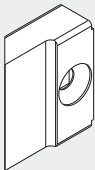
Strike plates

	Product description	Art. No.
	<p>Corner strike plate with 16 mm leg</p> <p>Weight in kg: alumin. 0.008</p>	<p>10.411</p>

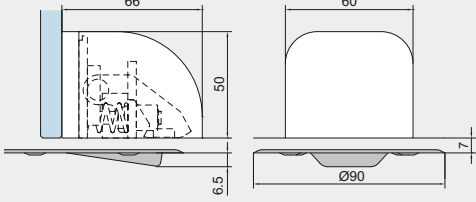
Corner strike plate

	Product description	Art. No.
	<p>Corner strike plate</p> <p>Weight in kg: alumin. 0.038</p>	<p>11.313</p>

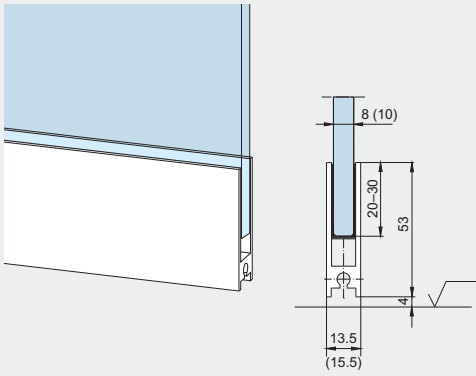
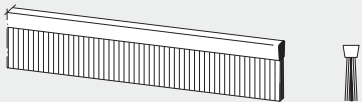
Special latch

	Product description	Art. No.
	<p>Single latch for Austrian norm frames and for the combination of 10 mm glass with a 24 mm frame depth, usable for STUDIO Rondo, Classic, Gala and Arcos</p>	<p>10.066</p>

Easy-Stop

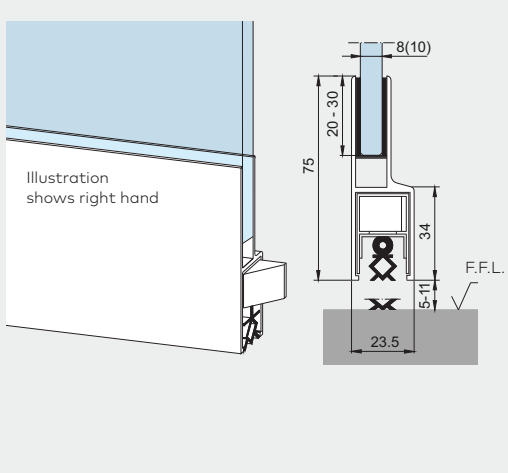
	Product description	Art. No.
	<p>Barrier-free floor doorstop for single-action doors, stainless steel adapter for bonding, plastic cover</p> <p>Weight in kg: alumin. 0.335</p>	10.591

Door rails for 8 mm and 10 mm glass thickness

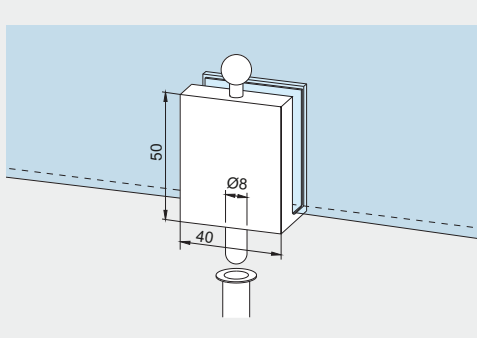
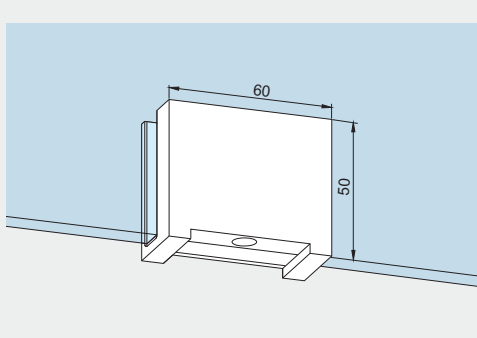
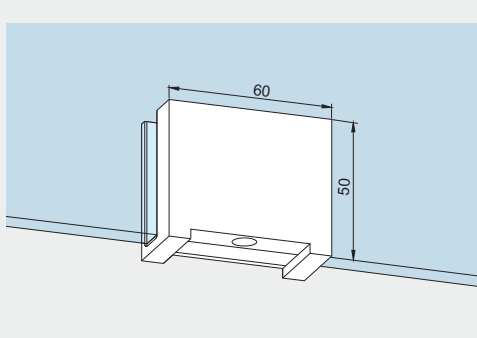
	Product description	Glass thickness	Art. No.
	<p>Door rail push on fit, with pair of plastic end caps</p> <p>norm length 834 mm</p> <p>norm length 959 mm</p> <p>stock length 1.200 mm</p> <p>fixed length 1.200 mm</p> <p>Weight in kg: alumin. 0.833</p>	<p>8 mm 10 mm</p> <p>8 mm 10 mm</p> <p>8 mm 10 mm</p> <p>8 mm 10 mm</p>	<p>12.102 12.122</p> <p>12.103 12.123</p> <p>12.104 12.124</p> <p>12.100 12.120</p>
	<p>Brush seal to insert into door rails, with plastic brush, 5 mm projection, stock length 2.000 mm fixed length 1.200 mm</p> <p>Weight in kg: 0.142</p> <p>Plastic end cap black</p> <p>Plastic end cap black</p> <p>Weight in kg: 0.001</p> <p>Plastic end cap white</p> <p>Weight in kg: 0.001</p>	<p>12.110 12.111</p> <p>8 mm 10 mm</p> <p>10 mm</p> <p>10 mm</p>	<p>12.110 12.111</p> <p>(not illustr.)</p> <p>(not illustr.)</p> <p>(not illustr.)</p> <p>12.106 12.108 12.109</p>

Door rails with automatic seals

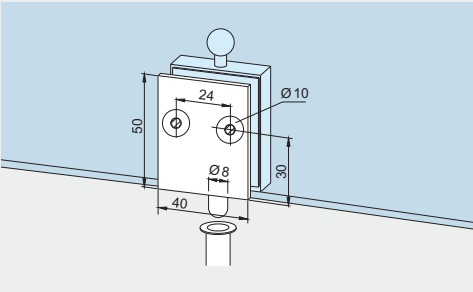
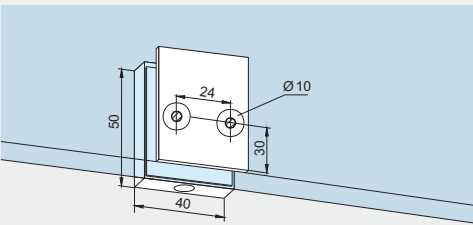
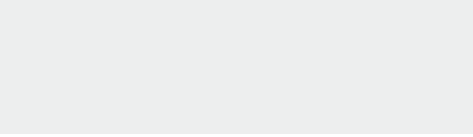
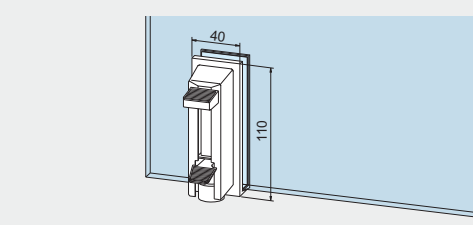
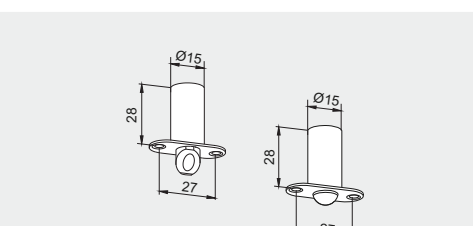
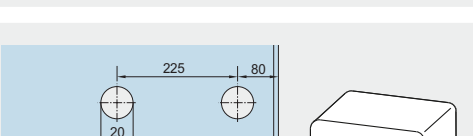
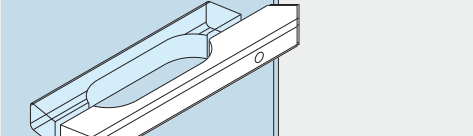
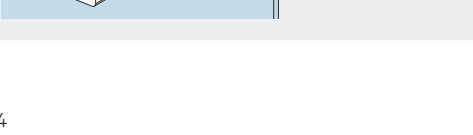

	Product description	Lengths	Glass thickness	Art. No.	
	Automatic Seal Planet	834 mm	KG-SM	12.234	
	Complete set with double sided adhesive tape	959 mm	KG-SM	12.239	
		1084 mm	KG-SM	12.249	
	Weight in kg: alumin. 0.789				
	Automatic Seal Planet	834 mm	KG D 8	8 mm	12.230
	KG D 8 / KG D 10		KG D 10	10 mm	12.231
		959 mm	KG D 8	8 mm	12.235
			KG D 10	10 mm	12.236
		1084 mm	KG D 8	8 mm	12.245
		KG D 10	10 mm	12.246	
	1209 mm	KG D 8	8 mm	12.240	
		KG D 10	10 mm	12.241	
	Weight in kg: alumin. 0.771				
	Automatic Seal Planet	834 mm	KG-U	≥ 12 mm	12.233
	KG-U	959 mm	KG-U	≥ 12 mm	12.238
		1084 mm	KG-U	≥ 12 mm	12.248
		1209 mm	KG-U	≥ 12 mm	12.243
	Weight in kg: alumin. 0.629				
	Automatic Seal Planet	834 mm	KG-S	12.232	
	KG-S	959 mm	KG-S	12.237	
		1084 mm	KG-S	12.247	
		1209 mm	KG-S	12.242	
	Weight in kg: alumin. 0.789				

	Product description	Lengths	Glass thickness	Art. No.	
	Door rail with automatic seal, push on fit	834 mm	Left hand Right hand	8 mm 8 mm	12.202 12.203
	Weight in kg: alumin. 1.559		Left hand Right hand	10 mm 10 mm	12.212 12.213
		959 mm	Left hand Right hand	8 mm 8 mm	12.204 12.205
			Left hand Right hand	10 mm 10 mm	12.214 12.215
		Fixed length up to 1,200mm	Left hand Right hand	8 mm 8 mm	12.200 12.201
			Left hand Right hand	10 mm 10 mm	12.210 12.211

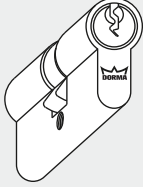
Door bolts

	Product description	Glass thickness	Art. No.
	Slide over door bolt with floor socket	8 mm	12.301
	Weight in kg: alumin. 0.121		
	with floor socket	10 mm	12.302
	Weight in kg: alumin. 0.113		
	Slide over strike box to slide over door bolt Art. No. 12.301	8 mm	12.314
	to slide over door bolt Art. No. 12.302	10 mm	12.317
	Weight in kg: alumin. 0.130		

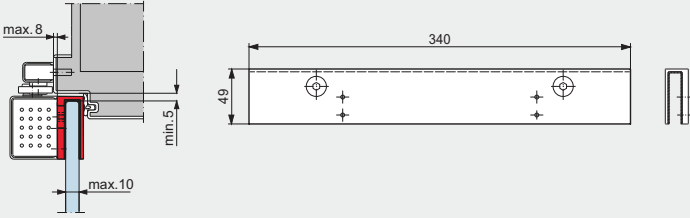
Door bolts

	Product description	Glass thickness	Art. No.
	Door bolt on glass preparation,	8 mm 10 mm	12.312 12.315
	Weight in kg: alumin. 0.121		
	Door bolt on glass preparation, with free glass edge	8 mm 10 mm	12.318
	Weight in kg: alumin. 0.099		
	Strike box on glass preparation	8 mm	12.313
	Weight in kg: alumin. 0.130		
	to door bolt Art. No. 12.312	10 mm	12.316
	Weight in kg: alumin. 0.087		
	Strike box on glass preparation		
	to door bolt Art. No. 12.315		
	Slide over telescopic door bolt for 8, 10 and 12 mm glass thickness, similar anodised lacquer	8 mm 10 mm 12 mm	12.320
	Weight in kg: alumin. 0.365		
	Door catch plastic		12.300
	Weight in kg: alumin. 0.007		
	Door catch plastic with round bolt		12.305
	Weight in kg: alumin. 0.007		
	Wooden snapper block for sauna		13.006
	Weight in kg: alumin. 0.045		
	Wooden handle for sauna		13.005
	Weight in kg: alumin. 0.267		

Profile cylinder

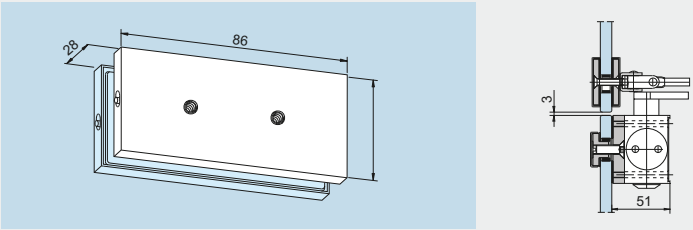
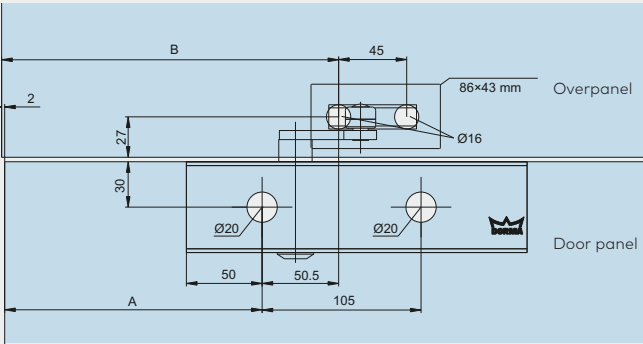
	Product description	Art. No.
	Profile cylinder length 61 mm, differently keyed, with DORMA Logo	05.001
	Profile cylinder length 61 mm, equally keyed, with DORMA Logo	05.002
	Further cylinders of the DORMA range on demand.	

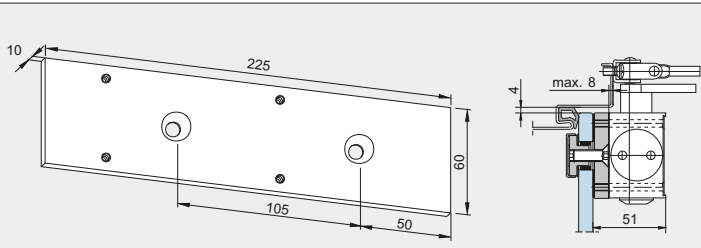
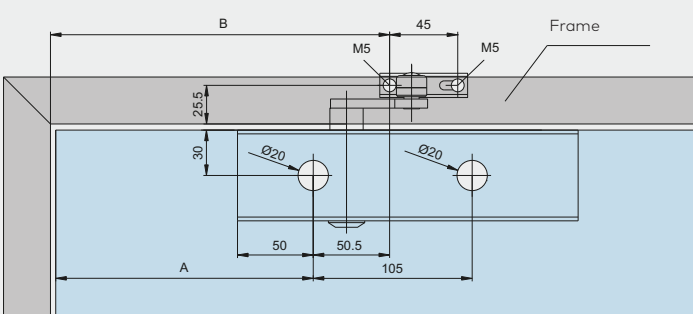
Saddle plate for TS 97

	Product description
	Saddle plate for TS 97 No glass recess machining or drilling required. The DORMA TS 97 with this special glass fixing bracket should be used with STUDIO Arcos and OFFICE Arcos/OFFICE Junior hinges.

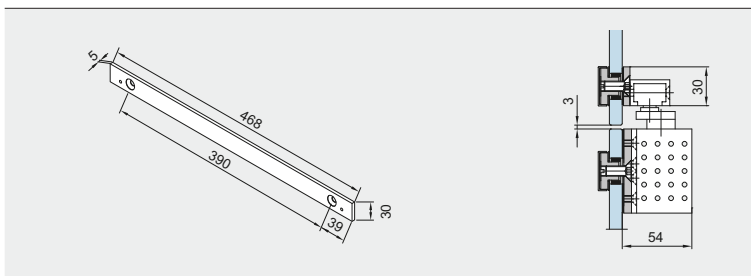
Accessories

for DORMA Door Closer TS 73 V

	Product description	Art. No.	
	Fixing plate for TS 73 V, closer arm for overpanel	12.330	
	Weight in kg: alumin. 0.132		
	Pivot point fitting	A	B
	EA (AT)	195	248
	UNIVERSAL / EP	245	298
	STUDIO / OFFICE	170	223
	UNIVERSAL Arcos	262	315

	Product description	Art. No.	
	Fixing plate 225 mm, for TS 73 V	12.335	
	Weight in kg: alumin. 0.289		
	Pivot point fitting	A	B
	EA (AT)	195	248
	UNIVERSAL / EP	245	298
	STUDIO / OFFICE	170	223
	UNIVERSAL Arcos	262	315

for DORMA Door Closer TS 92



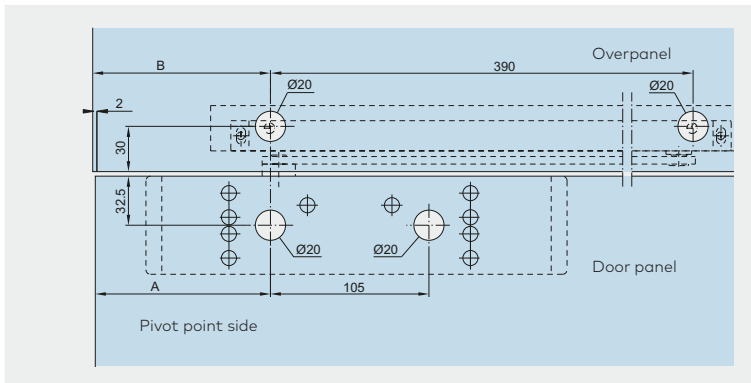
Product description

Art. No.

Fixing plate
for TS 92,
slide channel for
overpanel

Weight in kg:
alumin. 0.265

12.332



Pivot point fitting

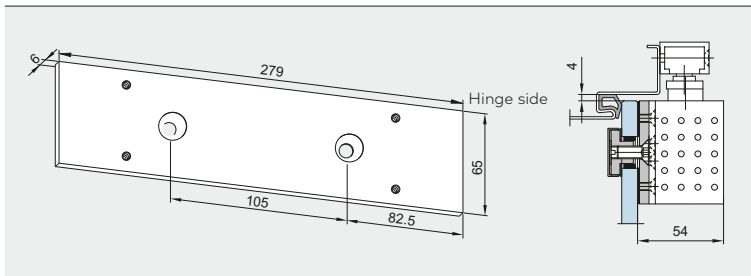
A

B

EA (AT) / EP	200	202
UNIVERSAL	250	252
STUDIO / OFFICE	148	150
UNIVERSAL Arcos	265	267

Product description

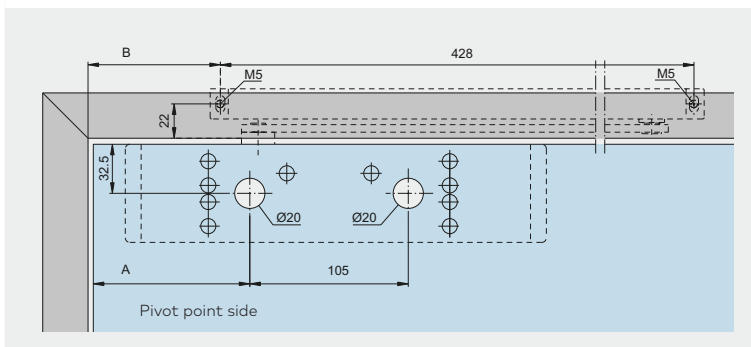
Art. No.



Fixing plate
279 mm,
for TS 92
(Issue 07/02)

12.334

Weight in kg:
alumin. 0.290



Pivot point fitting

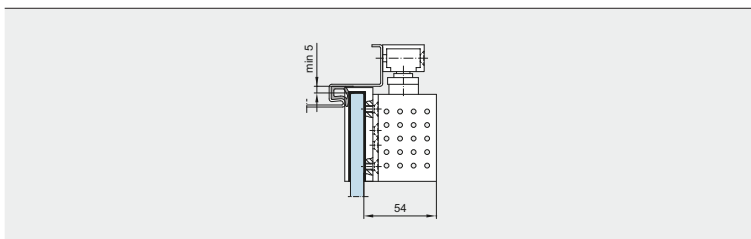
A

B

EA (AT) / EP	200	182
UNIVERSAL / MUNDUS	250	232
STUDIO / OFFICE	148	132
UNIVERSAL Arcos	265	247

Product description

Art. No.



Saddle plate
on demand

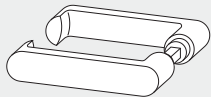

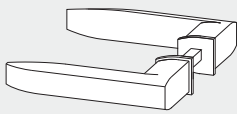
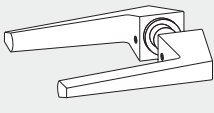
Content

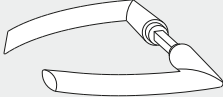
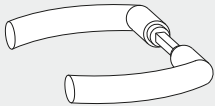
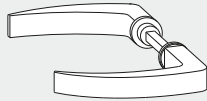
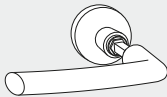
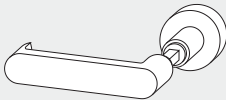


120	Lever for follower
126	Levers with roses
157	Safety-related information



Lever range

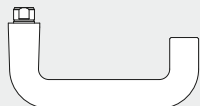
Sets of levers for locks with follower

	Product description	Art. No.
	<p>Set of levers with flat hand part, extended colour options</p> <p>Weight in kg: alumin. 0.290 brass 0.760</p>	10.314
	<p>Set of levers tubular, for follower</p> <p>Weight in kg: alumin. 0.320 brass 0.450</p>	10.301
	<p>Set of levers tubular, for follower, with stainless steel square drive</p> <p>Weight in kg: alumin. 0.452</p>	10.322
	<p>Set of levers with cantilevered hand part</p> <p>Weight in kg: brass 0.650</p>	10.300
	<p>Set of levers Junior levers – stainless steel</p> <p>Weight in kg: stainless steel 0.381</p>	11.299
	<p>Set of levers</p> <p>Weight in kg: alumin. 0.350</p>	19.009
	<p>Set of levers with angular hand part</p> <p>Weight in kg: alumin. 0.392</p>	10.010

	Product description	Art. No.
	<p>Arcos Set of levers</p> <p>Weight in kg: alumin. 0.353 brass 0.959</p>	<p>24.301</p>
	<p>Set of levers with oval handle</p> <p>Weight in kg: alumin. 0.300</p>	<p>24.302</p>
	<p>Set of levers with angular handle</p> <p>Weight in kg: alumin. 0.267</p>	<p>24.303</p>
	<p>Arcos lever and knob set with Arcos lever and free turnable knob (turnable knob without function)</p> <p>Weight in kg: alumin. 0.335</p>	<p>24.316</p>
	<p>Lever and knob set lever with flat hand part, fixed knob, for use with nightlatch function locks</p> <p>Weight in kg: alumin. 0.270</p>	<p>10.304</p>
	<p>Lever and knob set tubular lever with free turning knob (turning without function)</p> <p>Weight in kg: alumin. 0.335</p>	<p>10.316</p>
	<p>Lever and knob set tubular lever with turning knob</p> <p>Weight in kg: alumin. 0.345</p>	<p>10.317</p>

OGRO pair of levers for follower

Product description



OGRO 8100
Pair of levers
incl. pin.



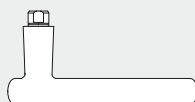
OGRO 8111
Pair of levers
incl. pin



OGRO 8140
Pair of levers
incl. pin



OGRO 8527
Pair of levers
incl. pin



OGRO 8825
Pair of levers
incl. pin

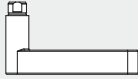


OGRO 8830
Pair of levers
incl. pin



OGRO 8870
Pair of levers
incl. pin

Product description



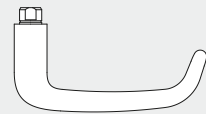
OGRO 8928
Pair of levers
 incl. pin.



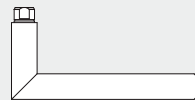
OGRO 8940
Pair of levers
 incl. pin



OGRO 8972
Pair of levers
 incl. pin



OGRO 8999
Pair of levers
 incl. pin



OGRO 8906
Pair of levers
 incl. pin

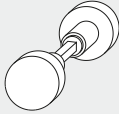
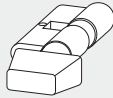
Adapter set for the installation of all Premium levers
 (16 mm follower) on all dormakaba locks without rose, with the exception of Arcos, distance washer
 Ø 27 x 8 mm

OGRO 6590

Adapter set for the installation of all Premium levers
 (16 mm follower) on all dormakaba locks without rose, with the exception of Arcos, distance washer
 Ø 32 x 8 mm

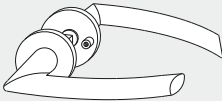
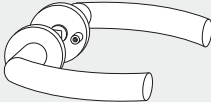
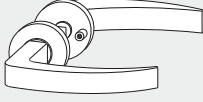
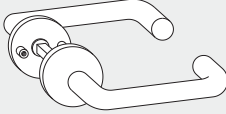
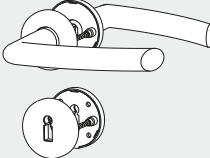
OGRO 6595

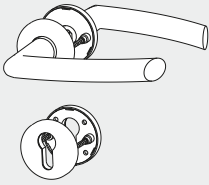
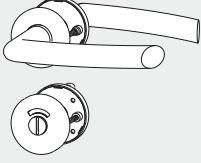
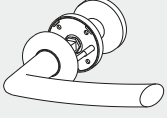
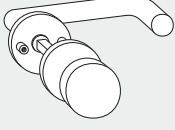
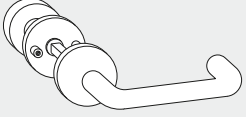
Sets of levers for locks with follower

	Product description	Art. No.
	Set of knobs turning knob Weight in kg: alumin. 0.255	10.305
	Thumbturn cylinders (WC), for locks prepared for Europrofile cylinder, thumbturn in aluminum, extended colour options Weight in kg: 0.225	10.310

Space for your notes

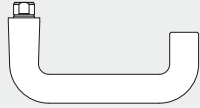
Sets of levers for locks prepared for levers with roses

	Product description	Art. No.
	Arcos Set of levers with roses Weight in kg: alumin. 0.420	24.307
	Set of levers with oval handle, with roses Weight in kg: alumin. 0.379	24.308
	Set of levers with angular handle, with roses Weight in kg: alumin. 0.344	24.309
	Set of levers tubular, with roses Weight in kg: alumin. 0.320	10.307
	Set of levers for wooden doors incl. warded key rose Weight in kg: alumin. 0.485	24.322

	Product description	Art. No.
	<p>Set of levers for wooden doors incl. profile cylinder rose</p> <p>Weight in kg: alumin. 0.485</p>	<p>24.323</p>
	<p>Set of levers for wooden doors incl. vacant / occupied indicator</p> <p>Weight in kg: alumin. 0.531</p>	<p>24.324</p>
	<p>Arcos lever and knob set with Arcos lever and free turnable knob (turnable knob without function)</p> <p>Weight in kg: alumin. 0.377</p>	<p>24.318</p>
	<p>Lever and knob set tubular lever with fixed knob, with roses</p> <p>Weight in kg: alumin. 0.400</p>	<p>10.318</p>
	<p>Lever and knob set tubular lever with knob, with roses</p> <p>Weight in kg: alumin. 0.400</p>	<p>10.319</p>

OGRO pair of levers with roses

Product description

**OGRO 8100****Pair of levers**

incl. pin and swivel-mounted handle roses with retaining spring

**OGRO 8111****Pair of levers**

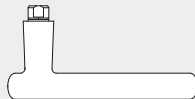
incl. pin and swivel-mounted handle roses with retaining spring

**OGRO 8140****Pair of levers**

incl. pin and swivel-mounted handle roses with retaining spring

**OGRO 8527****Pair of levers**

incl. pin and swivel-mounted handle roses with retaining spring

**OGRO 8825****Pair of levers**

incl. pin and swivel-mounted handle roses with retaining spring

Product description

**OGRO 8830****Pair of levers**

incl. pin and swivel-mounted handle roses with retaining spring

**OGRO 8870****Pair of levers**

incl. pin and swivel-mounted handle roses with retaining spring

**OGRO 8928****Pair of levers**

incl. pin and swivel-mounted handle roses with retaining spring

**OGRO 8940****Pair of levers**

incl. pin and swivel-mounted handle roses with retaining spring

**OGRO 8972****Pair of levers**

incl. pin and swivel-mounted handle roses with retaining spring

**OGRO 8999****Pair of levers**

incl. pin and swivel-mounted handle roses with retaining spring

**OGRO 8906****Pair of levers**

incl. pin and swivel-mounted handle roses with retaining spring