

Ali Latch

Rehanding guide

If the latch orientation does not meet the requirements of the door, then the following instructions will need to be followed, in order to carry out a rehanding.

1. Remove the screws located on the side of the ali latch (fig. 1).
2. With a flat screwdriver, pry the backplate off the ali latch off (fig. 2), allowing you access to the back of the main latch bolt.
3. Remove the anti-thrust pin and then the latch bolt from the casing (fig. 3).
4. On the side of the latch bolt will be a pin (fig. 4) which holds in place a secondary latch piece called the withdrawal cam. Remove this pin from the latch bolt by applying pressure with a smaller pin or screwdriver, allowing the withdrawal cam to come away (fig. 5).
5. Flip the withdrawal to the other side, being careful that the spring remains in place. Reinsert the pin previously removed (fig. 6).
6. Reinsert the latch bolt, anti-thrust pin and springs. (fig. 7).
7. Replace the back plate and rescrew in the screws. Press down on the ali-latch several times to make sure it works.

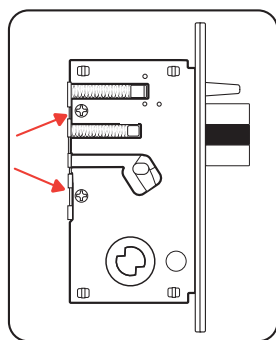


Fig. 1

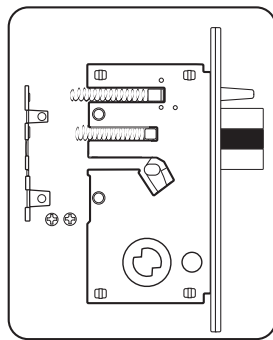


Fig. 2

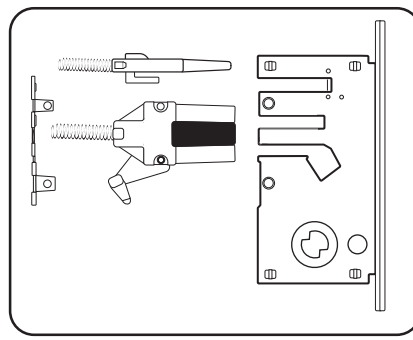


Fig. 3

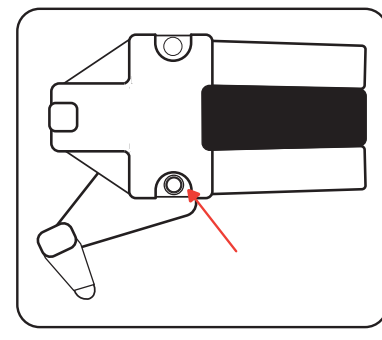


Fig. 4

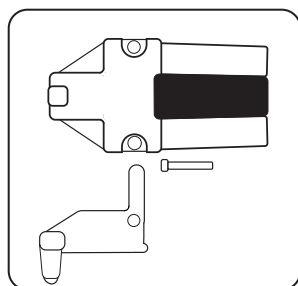


Fig. 5

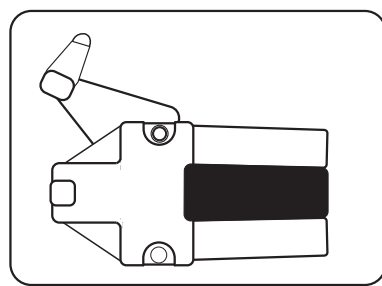


Fig. 6

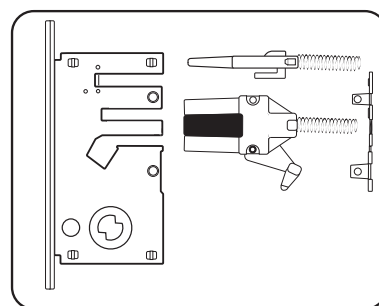


Fig. 7

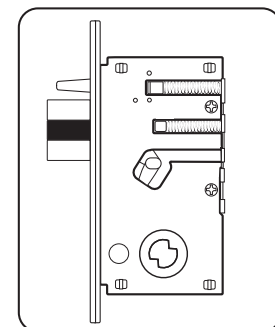


Fig. 8