



---

**ASSA ABLOY**

# **Main Locking**

---

---

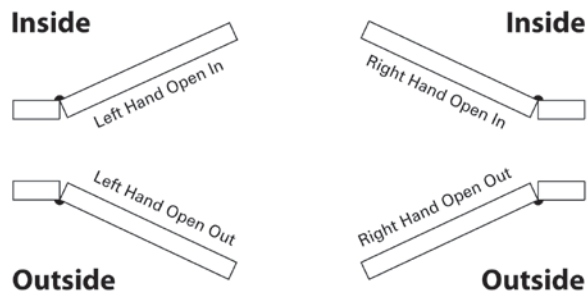
*Product Catalogue*

## Key



Denotes suitability for Aluminium, Timber and/or Steel installation; Maximum Security.

## Handing of doors



The description of swinging door operation always viewed from the outside.

Left Hand: Door hinges on left.  
Right Hand: Door hinges on right.

# Index

## Deadlocks

MS®1850S Maximum Security Deadlock .....	4
MS®1850SNSI Maximum Security Deadlock .....	6
MS®2200 Maximum Security Deadlock.....	8
MS®1848 and 5015 Deadlocks and Accessories .....	10
4070 Deadlock .....	12

## Deadlatches

4710 Heavy Duty Deadlatch.....	14
4720ANSI Deadlatch .....	16
4750 Deadlatch .....	18
MS®+1890 Latch/Deadlock.....	20
MS®1900 Multipoint Locking System .....	22

## Latch Pull

4593 and 4593E Standard and Electrified Latch Pull.....	24
---	----

## Handles

4591 Paddle Handle .....	26
4596 Europrofile Operation Paddle Handle .....	28
4561 and 4565 Lever Handle and Thumbturn .....	30
4568 Lever Handle.....	32
Codelock Mechanical Access Control .....	34
3080 and 3080E Series Standard and Electrified Entry Trims .....	36

## Cylinders and Thumbturns

Round Mortice Cylinders.....	38
MS®4043 Cylinder Guard.....	40
Europrofile Cylinders and Escutcheons.....	42
Europrofile and Round Thumbturns.....	44

## Flushbolts

1870 Cylinder-Operated Flushbolt .....	46
6201 Flushbolt .....	48

## Accessories

MS®4000 Armoured Parts, Trim Strikes and Box Strikes .....	50
8360 and 8460 Ramp Jaw Strikes .....	52
4015 and 4022 Threshold Bolts for MS®1850 and MS®2200 Deadlocks .....	54
4189 and 4190 Flush Handle Sets for MS®1848 Deadlock.....	56
4104 and 4075 Mounting Bridges and Installation Tool.....	58

# MS<sup>®</sup> 1850S

Maximum Security Deadlock



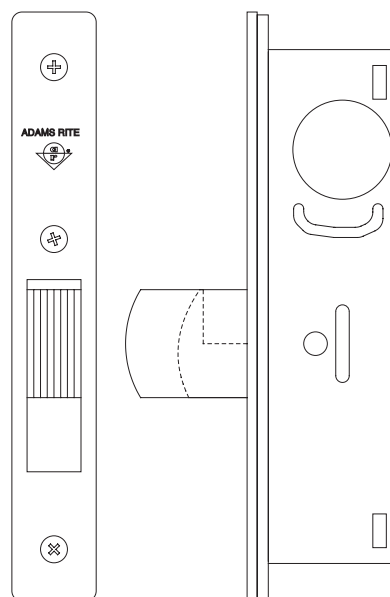
ASSA ABLOY

## Function

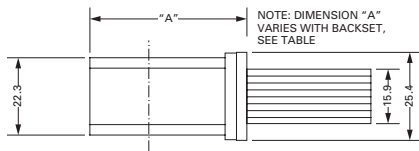
Available in both hook and barbolt versions, the MS<sup>®</sup>1850S provides Maximum Security deadlocking for both aluminium swinging and sliding door applications. The stainless steel bolt with alumina-ceramic core ensures positive locking into jamb or opposite leaf and offers high security against cutting and jamb peeling (when used with armoured part). Accepts any standard mortice cylinder or thumbturn (with MS<sup>®</sup> cam). To ensure Maximum Security it is recommended that the MS<sup>®</sup> 4002 Series Armoured Strikes and MS<sup>®</sup>4043 Cylinder Guards are specified in conjunction with the lockcase. Interchangeable without stile modification with 4710 Deadlatch. Addition of 4015 Threshold Bolt produces two point locking whilst further addition of 4085 Header Bolt produces three point locking in pairs of doors.

## Specifications

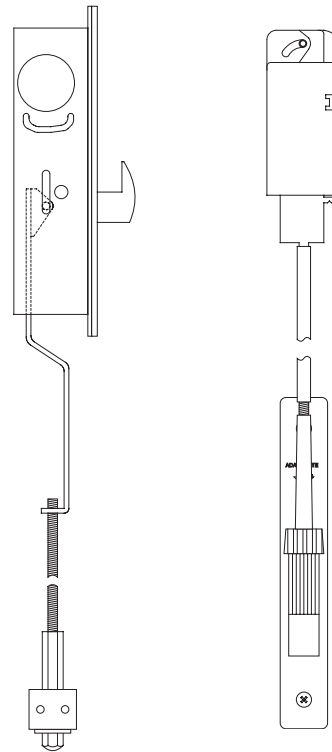
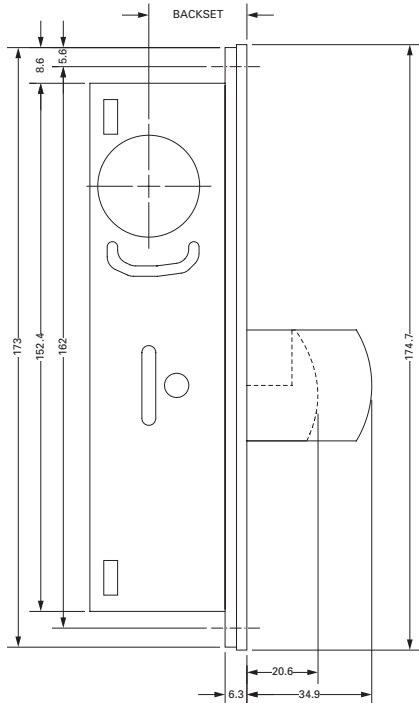
Overall Case Size:	173mm x 25.4mm x 39.9mm - 22.2mm Backset (7/8") 173mm x 25.4mm x 41.4mm - 24.6mm Backset (31/32") 173mm x 25.4mm x 45.2mm - 28.6mm Backset (1 1/8") 173mm x 25.4mm x 57.1mm - 38.1mm Backset (1 1/2").
Case:	Steel with corrosion-resistant plating. For high corrosion environment a stainless steel version is available (MS <sup>®</sup> 1950).
Backset:	22.2mm, 24.6mm, 28.6mm, 38.1mm.
Lock Bolt:	75mm x 15.9mm. 8 Ply Laminated Steel with patented Alumina-Ceramic Anti-Saw Core.
Bolt Throw:	34.9mm (Barbolt), 20.6mm (Hookbolt).
Mechanism:	Carbon Steel Actuating Mechanism.
Cylinder:	Any standard 29.4mm (1 5/32") Mortice Cylinder or Thumbturn with MS <sup>®</sup> cam.
Operation:	360° turn of key or thumbturn. Key only removable when bolt is positively locked or unlocked.
Door Type:	Aluminium only. (See MS <sup>®</sup> 1850SNSI for Steel & Timber)
Door Gap:	Maximum 3mm.
Two Point Locking:	Specify 4015 Threshold Bolt.
Monitoring Facility:	Optional via Microswitch within case.
Forend:	Steel, with aluminium faceplate.



## Dimensions



Backset	Dimension "A"
22.2mm (7/8")	39.9mm (1.57")
24.6mm (31/32")	41.4mm (1.63")
28.6mm (1 1/8")	45.2mm (1.78")
38.1mm (1 1/2")	57.1mm (2.25")



Optional 4015-18  
Threshold Bolt.

Optional 4085-01  
Header Bolt.

## Ordering Codes

### Lock Bodies

1850-110	22.2mm (7/8") Backset Barbolt Deadlock
1850-150	22.2mm (7/8") Backset Hookbolt Deadlock
1850-210	24.6mm (31/32") Backset Barbolt Deadlock
1850-250	24.6mm (31/32") Backset Hookbolt Deadlock
1850-310	28.6mm (1 1/8") Backset Barbolt Deadlock
1850-350	28.6mm (1 1/8") Backset Hookbolt Deadlock
1850-410	38.1mm (1 1/2") Backset Barbolt Deadlock
1850-450	38.1mm (1 1/2") Backset Hookbolt Deadlock

**Note:** The above locks are also available with Microswitch Monitoring; add '-02' to end of code, e.g. 1850-150-02. Cylinders, thumbturns and faceplates not supplied as standard; order separately.

### Faceplates

24-1850-010-628	MS®1850 Faceplate Flat Bar Lock SAA Finish
24-1850-050-628	MS®1850 Faceplate Flat Hook Lock SAA Finish

**Note:** To specify alternative faceplate type, replace '0' with '1' for Radius, '2' for Left Hand Bevel, '3' for Right Hand Bevel or '4' for Radius. Weatherstrip. 628 denotes Satin Anodised Finish-substitute 628 with 313 for Bronze, or 335 for Black.

## Related Hardware

4104 Mounting Bridges (p58) ~ Round Mortice Cylinders (p38) ~ MS®4043 Cylinder Guard (p40)

Round Thumbturns (p44) ~ MS® 4000 Armoured Parts (p50) ~ 4015 Threshold Bolt (p54)

# MS<sup>®</sup> 1850SNSI

Maximum Security Deadlock



ASSA ABLOY

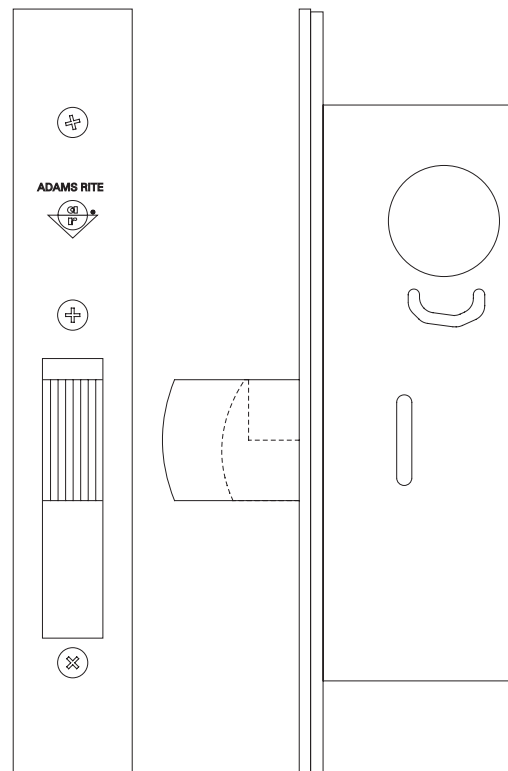
## Function

Identical in operation to the MS<sup>®</sup>1850S Series Deadlock, the MS<sup>®</sup>1850SNSI is for use in hollow metal or wooden doors. Combines Maximum Security with a standard 38.1mm (1 1/2") backset providing adequate clearance for the 12.7mm (1/2") stop on the door jamb of timber and hollow metal entrances. Interchangeable without stile modification with the 4720ANSI Deadlatch.

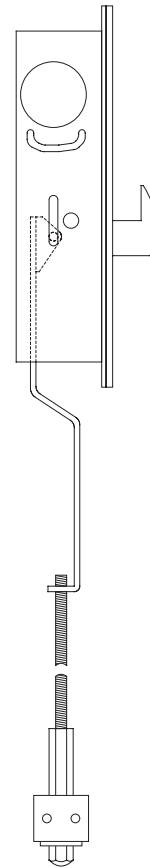
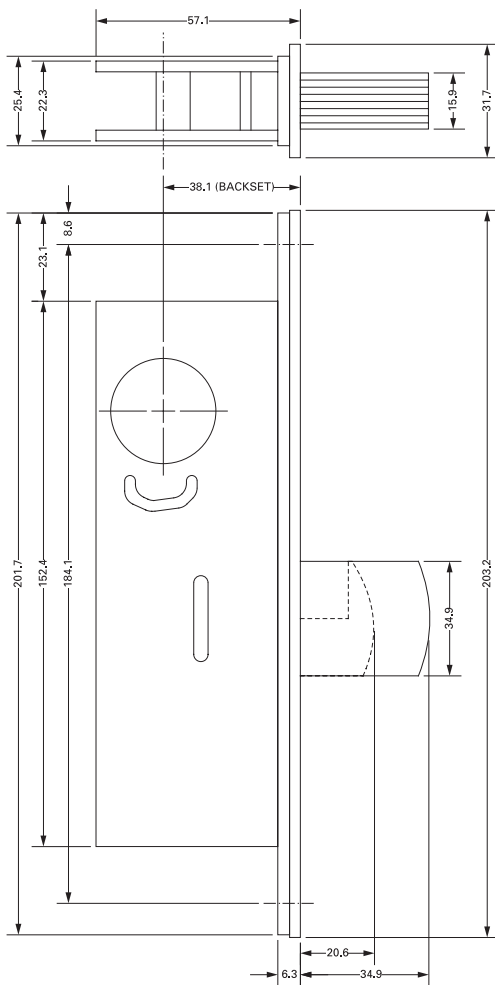
**Note:** Addition of 4015 Threshold Bolt produces two point locking for hollow metal doors.

## Specifications

Overall Case Size:	201.7mm x 31.7mm x 57.1mm.
Case:	Steel with corrosion-resistant plating.
Backset:	38.1mm (1 1/2").
Lock Bolt:	34.9mm x 15.9mm. 8 Ply Laminated Steel with patented Alumina-Ceramic Anti-Saw Core.
Bolt Throw:	34.9mm (Barbolt), 20.6mm (Hookbolt).
Mechanism:	Carbon Steel Actuating Mechanism.
Cylinder:	Any standard 29.4mm (1 5/32") Mortice Cylinder or Thumbturn with MS <sup>®</sup> cam.
Operation:	360° turn of key or thumbturn. Key only removable when bolt is positively locked or unlocked.
Door Gap:	Maximum 3mm.
Two Point Locking:	Specify 4015 Threshold Bolt.
Forend:	Steel, with aluminium faceplate.



## Dimensions



Optional 4015-18 Threshold Bolt (for hollow metal doors).

## Ordering Codes

### Lock Bodies

1850-411	38.1mm (1 1/2") Backset Barbolt ANSI Deadlock
1850-411-02	38.1mm (1 1/2") Backset Barbolt ANSI Deadlock c/w Microswitch
1850-451	38.1mm (1 1/2") Backset Hookbolt ANSI Deadlock

**Note:** Cylinders, thumbturns and faceplates not supplied as standard; order separately.

### Faceplates

24-1850-011-628	MS®1850 ANSI Faceplate Flat Bar Lock SAA Finish
24-1850-051-628	MS®1850 ANSI Faceplate Flat Hook Lock SAA Finish
24-1850-111-628	MS®1850 ANSI Faceplate Radius Bar Lock SAA Finish
24-1850-151-628	MS®1850 ANSI Faceplate Radius Hook Lock SAA Finish

**Note:** 628 denotes Satin Anodised Finish-substitute 628 with 313 for Bronze, or 335 for Black.

## Related Hardware

Round Cylinders (p38) ~ MS®4043 Cylinder Guard (p40) ~ Round Thumbturns (p44)

Trim Strikes (p50) ~ 4015 Threshold Bolt (p54)

# MS<sup>®</sup>2200

Maximum Security Deadlock



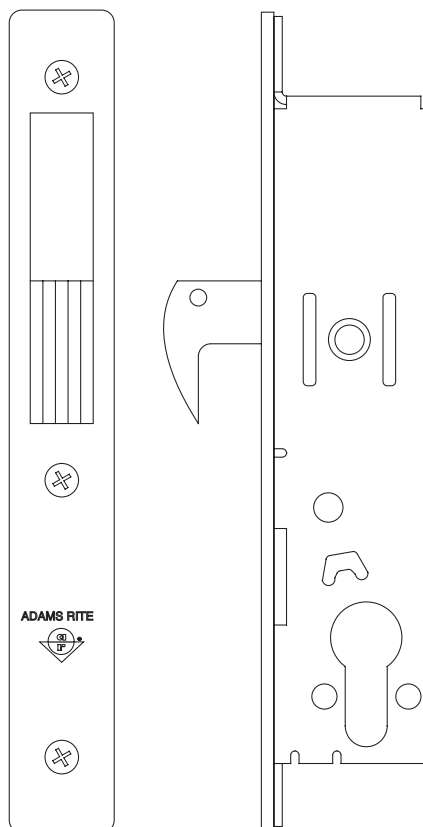
ASSA ABLOY

## Function

Retains the same uncomplicated pivot mechanism and all the security features associated with the other MS<sup>®</sup> Deadlocks. The MS<sup>®</sup>2200 lockbody has been designed to cater for 17mm Europrofile and 22mm Kaba Profile cylinder applications. The 40mm backset option is available in the hookbolt 17mm Europrofile version only and in addition this version requires a barbolt faceplate.

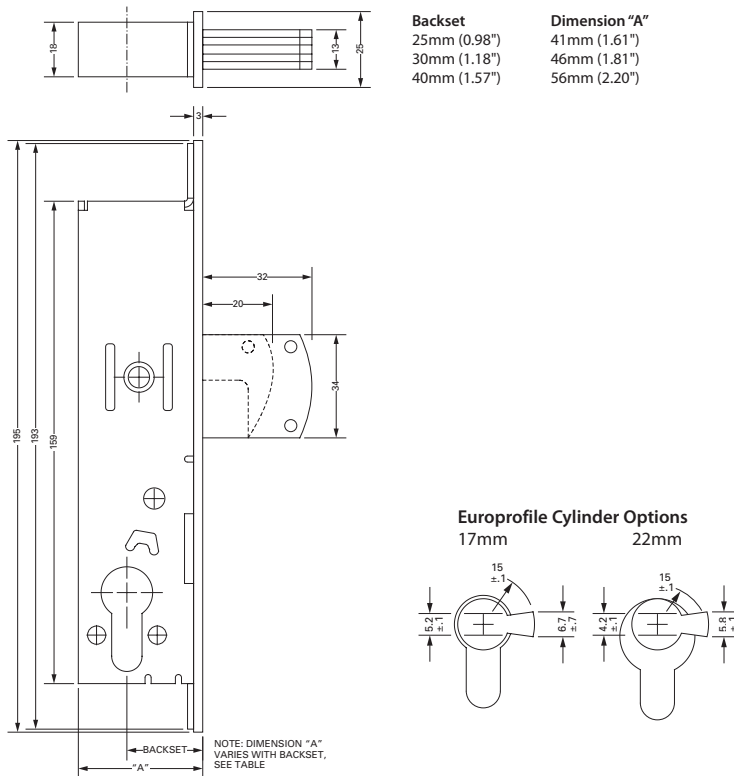
## Specifications

Overall Case Size:	195mm x 25mm x 41mm (25mm Backset) 195mm x 25mm x 46mm (30mm Backset) 195mm x 25mm x 56mm (40mm Backset).
Case:	Steel with corrosion-resistant plating.
Backset:	25mm, 30mm, 40mm (40mm option: hookbolt version only).
Bolt Throw:	32mm (Bar); 20mm (Hook).
Lock Bolt:	34mm x 13mm. 5 Ply Laminated Steel with Patented Alumina-Ceramic Anti-Saw Core (Stainless steel lockbolt option available on certain models).
Forend:	Steel with aluminium faceplate.
Mechanism:	Carbon Steel Actuating Mechanism.
Cylinder:	Any standard 17mm Europrofile Cylinder/Thumbturn or 22mm Kaba Profile Cylinder/Thumbturn.
Operation:	MS <sup>®</sup> 2200 - 17mm Europrofile Cylinder MS <sup>®</sup> 2210 - 22mm Kaba Profile Cylinder 360° turn of key or thumbturn. Key only removable when bolt is positively locked or unlocked.
Faceplate Finishes:	628 Satin Aluminium, 313 Bronze, 335 Black.
Door Type:	Aluminium or Steel.
Two/Three Point Locking:	Specify 4022-18 (1 or 2 no.) (Not available in 40mm backset).
Monitoring Facility:	Optional via Microswitch within case.





## Dimensions



## Ordering Codes

### Lock Bodies

2200-110	25mm Backset Barbolt Deadlock 17mm Cylinder
2200-150	25mm Backset Hookbolt Deadlock 17mm Cylinder
2200-150-02	25mm Backset Hookbolt Deadlock 17mm Cylinder Monitored
2200-210	30mm Backset Barbolt Deadlock 17mm Cylinder
2200-250	30mm Backset Hookbolt Deadlock 17mm Cylinder
2200-250-02	30mm Backset Hookbolt Deadlock 17mm Cylinder Monitored
2200-350	40mm Backset Hookbolt Deadlock 17mm Cylinder
2200-350-02	40mm Backset Hookbolt Deadlock 17mm Cylinder Monitored
2210-110	25mm Backset Barbolt Deadlock 22mm Cylinder
2210-150	25mm Backset Hookbolt Deadlock 22mm Cylinder
2210-150-02	25mm Backset Hookbolt Deadlock 22mm Cylinder Monitored
2210-210	30mm Backset Barbolt Deadlock 22mm Cylinder
2210-250	30mm Backset Hookbolt Deadlock 22mm Cylinder
2210-250-02	30mm Backset Hookbolt Deadlock 22mm Cylinder Monitored

**Note:** The MS®2200 is available with Rivnut fixing - change last digit of code to '3' e.g. 2200-113. Cylinders, thumbturns and faceplates not supplied as standard; order separately. 40mm backset option available in 17mm Europrofile cylinder hookbolt version only.

### Faceplates

24-2200-010-628	MS®2200 Faceplate Flat Bar Lock SAA Finish
24-2200-050-628	MS®2200 Faceplate Flat Hook Lock SAA Finish
24-2200-110-628	MS®2200 Faceplate Radius Bar Lock SAA Finish
24-2200-150-628	MS®2200 Faceplate Radius Hook Lock SAA Finish
24-2200-250-628	MS®2200 Faceplate Left Hand Bevel Hook Lock SAA Finish
24-2200-350-628	MS®2200 Faceplate Right Hand Bevel Hook Lock SAA Finish
24-2200-410-628	MS®2200 Faceplate Radius Weatherstrip Bar Lock SAA Finish
24-2200-450-628	MS®2200 Faceplate Radius Weatherstrip Hook Lock SAA Finish

**Note:** 628 denotes Satin Anodised Finish-substitute 628 with 313 for Bronze, or 335 for Black. Always order a barbolt faceplate when using the 40mm backset hookbolt version.

## Related Hardware

4104 Mounting Bridges (p58) ~ Europrofile Cylinders and Escutcheons (p42) ~ Europrofile Thumbturns (p44)

MS® 4000 Armoured Parts (p50) ~ 4022-18 Header/Threshold Bolt (p54)

# MS<sup>®</sup> 1848 and 5015

## Deadlocks and Accessories



ASSA ABLOY

### Function

Designed to fit within very narrow stile sliding door stiles without compromising the high degree of security needed by these doors. The stainless steel bolt has three unusual features:

**Adjustability:** A full 4.6mm lengthening or shortening of bolt projection can be made by turning an exposed screw in the face of the lock. This can compensate for a considerable misalignment between door and jamb.

**Self Protection:** If the door is closed with the bolt in the locked position, the bolt will retract immediately on contact with the jamb, preventing damage or lock-out.

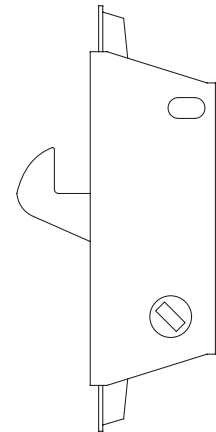
**Anti-Lifting:** The 3-ply laminated stainless steel hookbolt is designed to withstand approximately 1/2 ton of force vertically or horizontally, thus protecting against jamb/door attack.

The MS<sup>®</sup>1848 can be operated by a standard bored type cylinder, with three hub slot positions allowing installation even where jamb and stile design provides severely limited turn clearance.

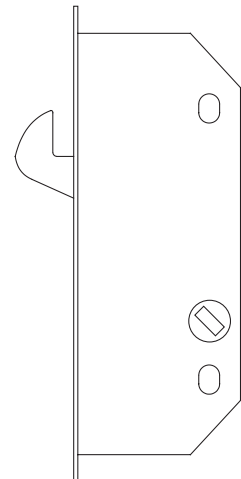
The 5015 Deadlock is designed as a similarly specified equivalent to the MS<sup>®</sup>1848 for **timber installations**.

### Specifications

Overall Case Size:	102mm x 13mm x 28.5mm (MS <sup>®</sup> 1848) 114mm x 15.5mm x 40.5mm (5015).
Case:	Zinc Plated Steel.
Anti-Lift Bolt:	3-Ply Laminated Stainless Steel.
Forend:	Square or full radiused ends (MS <sup>®</sup> 1848) Radiused ends (5015).
Operation:	Standard bored cylinder (with pull) or 1000 Series Turn.
MS <sup>®</sup> 1848 Latch Version:	Spring-loaded hookbolt for automatic latching. Other specifications as for deadlock.

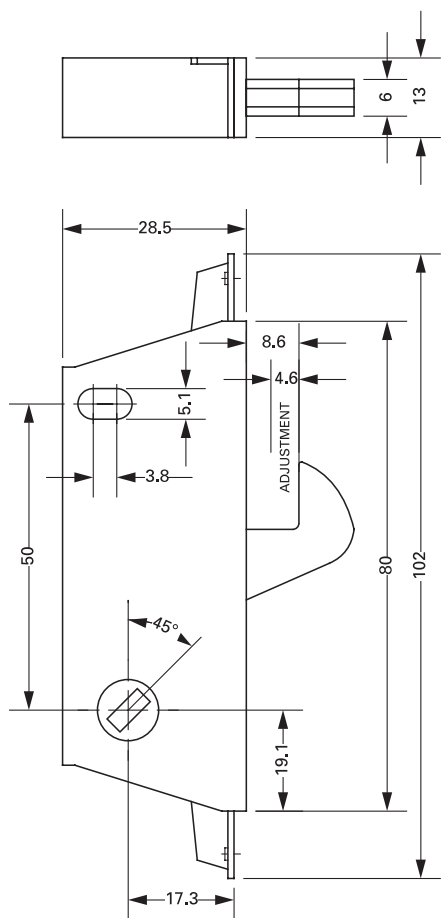


MS<sup>®</sup>1848 Deadlock

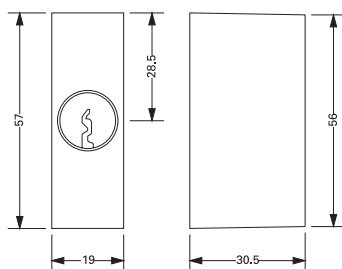


5015 Deadlock

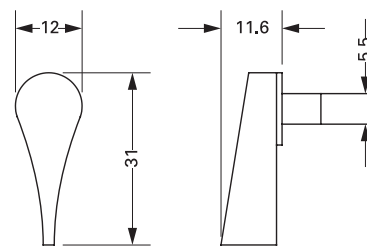
## Dimensions



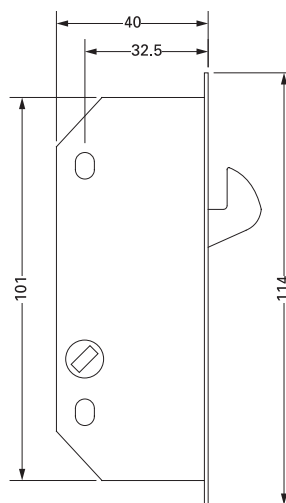
MS®1848 Deadlock



23-0076-130 with 8346-01 Cylinder,  
for use with MS®1848 Deadlock



1000-01-14-682 Aluminium Turn



5015 Deadlock  
(Equivalent to MS®1848 for  
timber installations).

**Note:** Uses different block and  
turn, see ordering below.

## Ordering Codes

1848-29	MS®1848-29 Deadlock
1848-11	MS®1848-11 Deadlock (Self latching)
1000-01-14-682	Aluminium Turn for inside of patio sliding door, for use with MS®1848 Deadlocks
1000-01-21-682	Aluminium Turn for inside of patio sliding door, for use with MS®1848 Deadlocks
23-0076-130	4024 Block only for patio sliding door (requires 8346-01). Fixes to pull handle
23-0064-23-130	4025 Block only for patio sliding door (requires 8346-01). Fixes direct to door
8346-01	KD Cylinder (order with above 4024 & 4025 Blocks)
5015	5015 Deadlock for patio sliding door (for timber installations)
4808-01-603	Strike for patio sliding door, for use with 5015 Deadlock
1015-11-32-130	Aluminium Turn for use with 5015 Deadlock (requires Back Plate)
1016-130	Back Plate for 1015 Turn (order with above Turn)
4026-130	Block only for patio sliding door (requires 8346-01, see above)

**Note:** The above codes list the most popular variations; for additional models (including 5100, 5300, 4189-9 and 4190-9 locksets), contact the Adams Rite Customer Services Department.

# 4070

## Deadlock

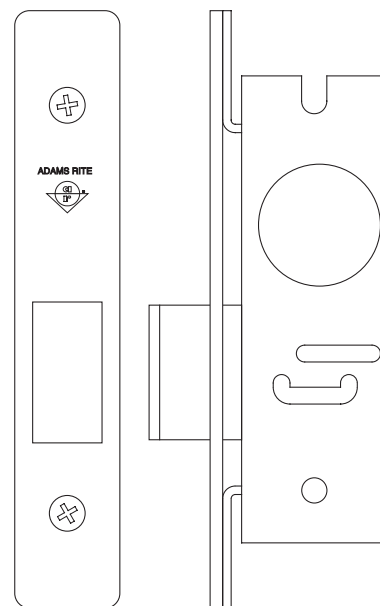
**A**

### Function

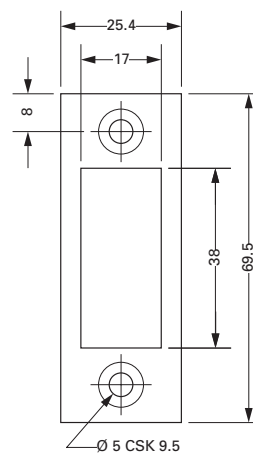
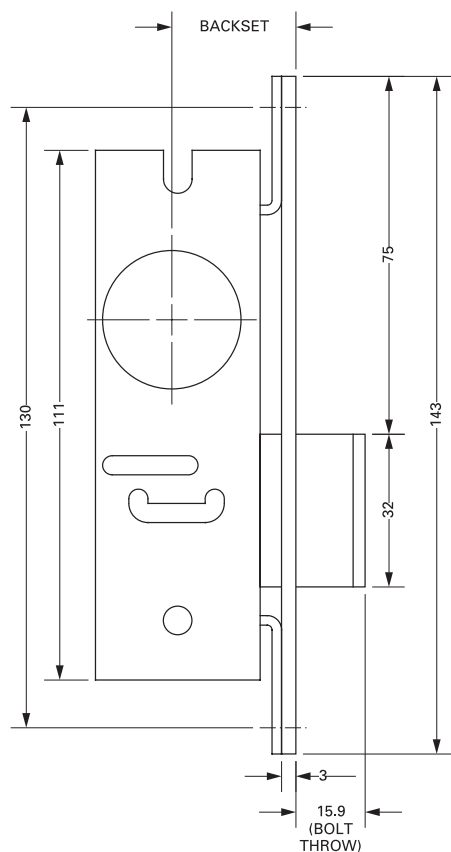
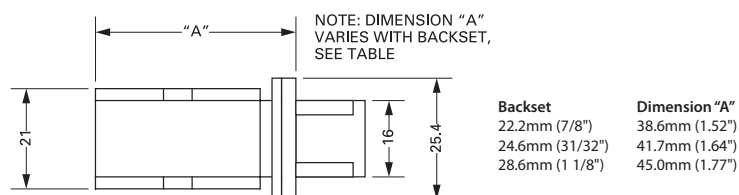
Where a long-throw MS® deadlock cannot be accommodated, the smaller 4070 deadlock offers the longest practical throw for a conventionally projected bolt from a narrow stile. Operation is via a standard mortice cylinder or thumbturn (with modified cam - see opposite) from either or both sides.

### Specifications

Overall Case Size:	143mm x 25.4mm x 38.6mm - 22.2mm Backset (7/8") 143mm x 25.4mm x 41.7mm - 24.6mm Backset (31/32") 143mm x 25.4mm x 45.0mm - 28.6mm Backset (1 1/8").
Case:	Steel with corrosion-resistant plating.
Backset:	22.2mm, 24.6mm, 28.6mm.
Lock Bolt:	32mm x 16mm.
Lock Bolt Throw:	15.9mm.
Cylinder:	Any standard 29.4mm (1 5/32") Mortice Cylinder or Thumbturn with modified cam.
Operation:	180° turn of key (or thumbturn) projects or retracts bolt.
Door Gap:	Maximum 3mm.
Forend:	Steel, with aluminium faceplate (flat, radius or left/right hand bevel).
Strike Plate:	69.5mm x 25.4mm x 3mm.



## Dimensions



4170-628 Strike

## Ordering Codes

### Lock Bodies

4070-10	Deadlock 22.2mm (7/8") Backset
4070-20	Deadlock 24.6mm (31/32") Backset
4070-30	Deadlock 28.6mm (1 1/8") Backset

**Note:** Cylinders, thumbturns, faceplates and strikes not supplied as standard; order separately.

### Faceplates

24-4070-000-628	4070 Faceplate Flat SAA Finish
24-4070-100-628	4070 Faceplate Radius SAA Finish

**Note:** SAA denotes Satin Anodised Aluminium.

### Strikes

4170-628	Trim Strike Aluminium For 4070 Deadlock
----------	---

### Thumbturns

4066-02-313	Mortice Thumbturn Bronze for use with 4070 Series (c/w modified cam)
4066-02-628	Mortice Thumbturn SAA for use with 4070 Series (c/w modified cam)

**Note:** Standard 29.4mm (1 5/32") Mortice Cylinders can be used when fitted with the supplied modified cam.

# 4710

## Heavy Duty Deadlatch

**A**



**ASSA ABLOY**

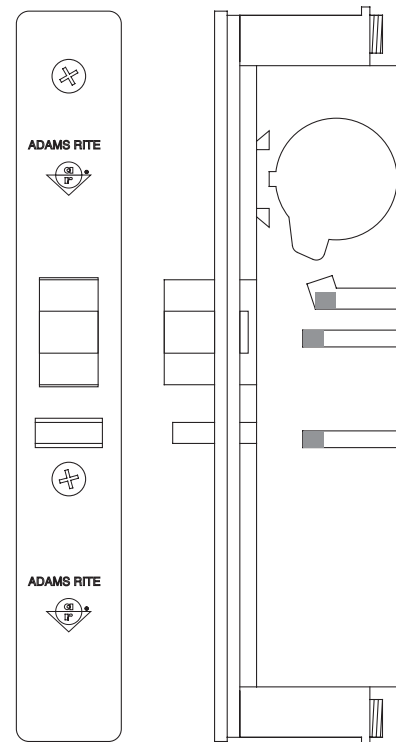
### Function

Offers flexible traffic control and an excellent level of security (though not the maximum security of the MS® Deadbolts), and is often used in conjunction with 7100 Series Electric Strikes to provide remote access control. The **auxiliary bolt feature** deadlocks the latch when the door is closed against the strike. Maximum operational door gap is 5mm. Operates using Mortice Cylinder, Thumbturn (both with MS® cam) or 4591 Paddle Handle (with 4580 cam plug). The latch is interchangeable without stile modification with the MS®1850S Deadlock. To operate "Bolt Holdback" feature, push in bolt and secure by reverse turn of the key. Latchbolt reversible; supplied non-handed unless specified.

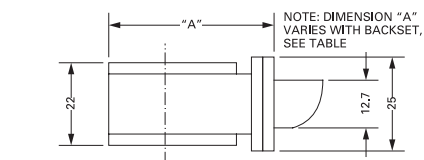
When used in emergency exit applications with a 4591 Paddle Handle, the assembly must use the 8460 Ramped Jaw Strike in order to conform to BS EN 179+A1: 2001.

### Specifications

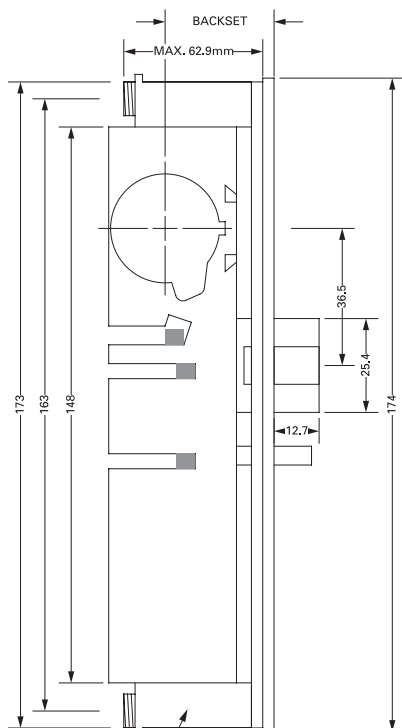
Overall Case Size:	173mm x 25mm x 38.3mm - 22.2mm Backset (7/8") 173mm x 25mm x 40.6mm - 24.6mm Backset (3 1/32") 173mm x 25mm x 44.7mm - 28.6mm Backset (1 1/8") 173mm x 25mm x 54.4mm - 38.1mm Backset (1 1/2").
Case:	Steel with corrosion-resistant plating.
Backset:	22.2mm, 24.6mm, 28.6mm, 38.1mm.
Latch Bolt:	25.4mm x 12.7mm. ZA-27 Zinc, Chrome Plated, Hardened Steel Internal Pins, plus Anti-Pick baffle.
Latch Throw:	12.7mm.
Cylinder:	Any standard 29.4mm (1 5/32") Mortice Cylinder or Thumbturn with MS® cam.
Operation:	Turn key/thumbturn or handle to retract latch bolt.
Door Gap:	Maximum 5mm.
Forend:	Steel, with aluminium faceplate.



## Dimensions



Backset	Dimension "A"
22.2mm (7/8")	38.3mm (1.51")
24.6mm (31/32")	40.6mm (1.60")
28.6mm (1 1/8")	44.7mm (1.76")
38.1mm (1 1/2")	54.4mm (2.14")



NOTE: TOP AND BOTTOM ADJUSTABLE FIXING SUPPORTS ARE REMOVABLE FOR USE WITH MOUNTING BRIDGES.

## Ordering Codes

### Lock Bodies

4710-100	Deadlatch 22.2mm (7/8") Backset
4710-200	Deadlatch 24.6mm (31/32") Backset
4710-300	Deadlatch 28.6mm (1 1/8") Backset
4710-400	Deadlatch 38.1mm (1 1/2") Backset

**Note:** Cylinders, thumbturns and faceplates not supplied as standard; order separately.

### Faceplates

24-4700-000-628	4700 Series Faceplate Flat SAA Finish
24-4700-100-628	4700 Series Faceplate Radius SAA Finish
24-4700-200-628	4700 Series Faceplate Left Hand Bevel SAA Finish
24-4700-300-628	4700 Series Faceplate Right Hand Bevel SAA Finish
24-4700-400-628	4700 Series Faceplate Radius Weatherstrip SAA Finish

**Note:** 628 denotes Satin Anodised Finish, substitute 628 with 313 for Bronze, or 335 for Black.

## Related Hardware

4104 Mounting Bridges (p58) ~ Round Cylinders (p38) ~ MS®4043 Cylinder Guard (p40)

Round Thumbturns (p44) ~ 4561 & 4565 Lever Handle & Thumbturn (p30) ~ 4568 Lever Handle (p32)

4591 Paddle Handle (p26) ~ 8460 Ramp Jaw Strikes (p52) ~ 7100 Series Electric Strikes

# 4720ANSI

## Deadlatch



ASSA ABLOY

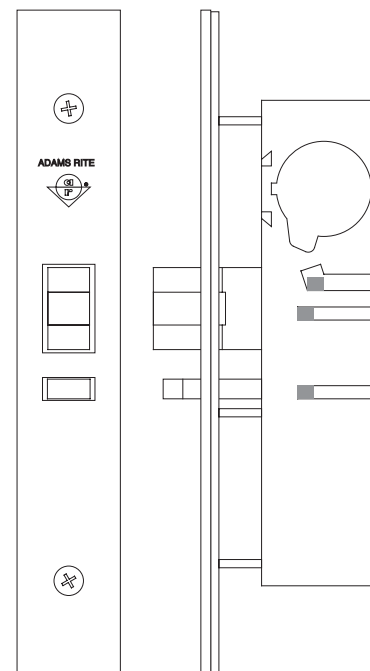
### Function

Identical in operation to 4710 Series Deadlatches, the 4720ANSI is for use in hollow metal or wood doors. Offers precise traffic control and is interchangeable without stile modification with the MS®1850SNSI Deadlock. Accepts any standard mortice cylinder, thumbturn (both with MS® cam) or 4591 Paddle Handle (with 4580 Cam Plug). To operate "Bolt Holdback" feature, push in bolt and secure by reverse turn of the key. Latchbolt reversible; supplied non-handed unless specified.

When used in emergency exit applications with a 4591 Paddle Handle, the assembly must use the 8360 Ramped Jaw Strike in order to conform to BS EN 179+A1: 2001.

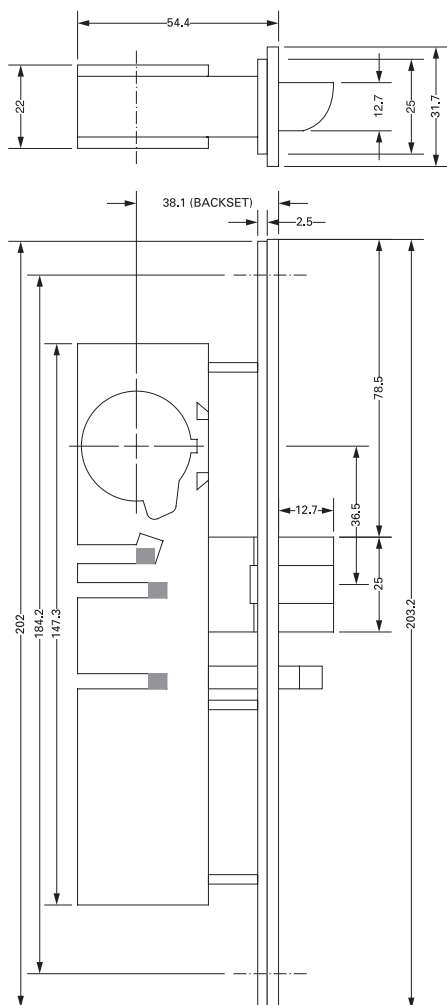
### Specifications

Overall Case Size:	202mm x 31.7mm x 54.4mm. Steel with corrosion-resistant plating.
Backset:	38.1mm (1 1/2").
Latch Bolt:	25.4mm x 12.7mm. ZA-27 Zinc, Chrome Plated, Hardened Steel Internal Pins, plus Anti-Pick baffle.
Latch Throw:	12.7mm.
Auxiliary Bolt:	ZA-27 Zinc, Chrome Plated with Hardened Steel Internal Pins.
Cylinder:	Any standard 29.4mm (1 5/8") Mortice Cylinder or Thumbturn with MS® cam.
Operation:	Turn key/thumbturn or handle to retract latch bolt.
Door Gap:	Maximum 5mm.
Forend:	Steel, with aluminium faceplate.





## Dimensions



## Ordering Codes

### Lock Bodies

4720-401	4720ANSI Deadlatch for Timber & Metal Installation
4720-45	4720ANSI Deadlatch Bevel LH
4720-46	4720ANSI Deadlatch Bevel RH

**Note:** Cylinders, thumbturns and faceplates not supplied as standard; order separately.

### Faceplates

24-4720-001-313	4720ANSI Faceplate Flat Bronze Finish
24-4720-001-335	4720ANSI Faceplate Flat Black Finish
24-4720-001-628	4720ANSI Faceplate Flat SAA Finish
24-4720-101-628	4720ANSI Faceplate Radius SAA Finish

**Note:** 628 denotes Satin Anodised Finish substitute 628 with 313 for Bronze, or 335 for Black.

## Related Hardware

Round Cylinders (p38) ~ MS®4043 Cylinder Guard (p40) ~ Round Thumbturns (p44)

4561 & 4565 Lever Handle & Thumbturn (p30) ~ 4568 Lever Handle (p32) ~ 4591 Paddle Handle (p26)

8360 Ramp Jaw Strikes (p52) ~ 7100 Series Electric Strikes

# 4750

## Deadlatch

**A**



**ASSA ABLOY**

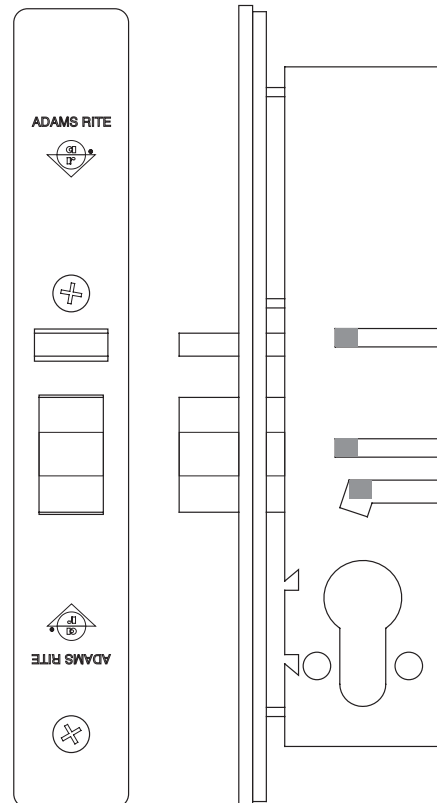
### Function

Offers flexible traffic control and an excellent level of security similar to the 4710 Deadlatch. The 4750 provides the option of 17mm Europrofile cylinder or thumbturn operation and metric backsets. Often used in conjunction with the 7100 Series Electric Strike to provide remote access control. The auxiliary bolt feature deadlocks the latch when the door is closed against the strike. To operate "Bolt Holdback" feature, push in bolt and secure by reverse turn of the key. Latchbolt reversible; supplied non-handed unless specified.

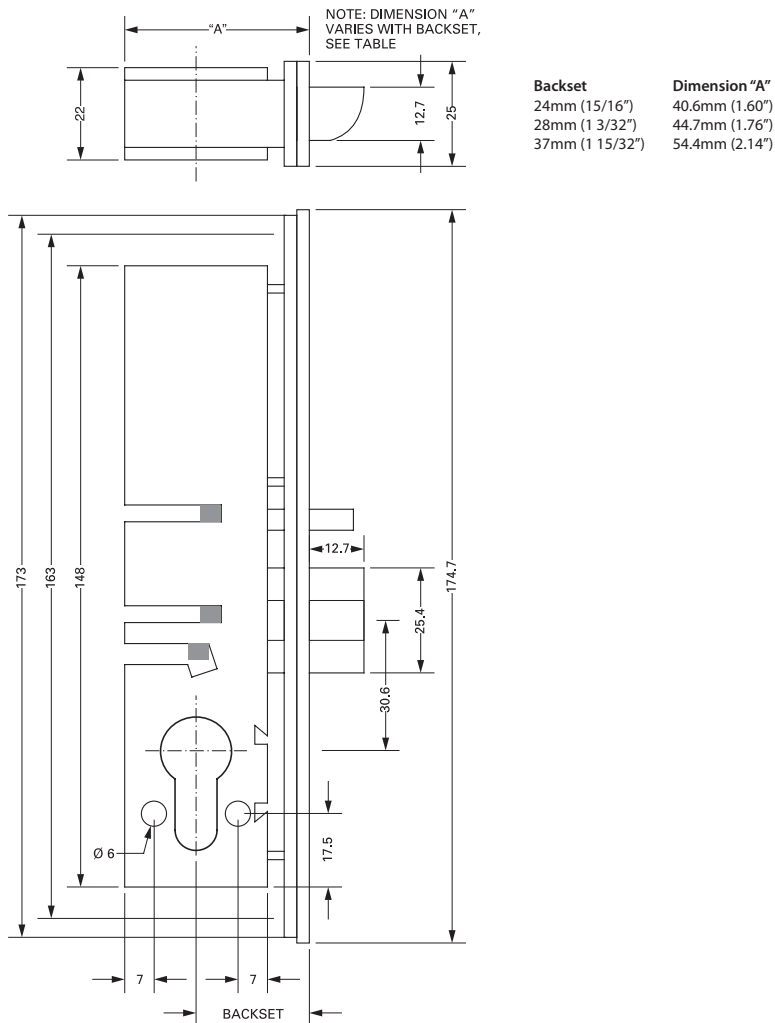
**Note: Not suitable for use with Adams Rite lever furniture. For paddle handle operation specify 4596 Series.**

### Specifications

Overall Case Size:	173mm x 25mm x 40.6mm - 24mm Backset 173mm x 25mm x 44.7mm - 28mm Backset 173mm x 25mm x 54.4mm - 37mm Backset.
Case:	Steel with corrosion-resistant plating.
Backset:	24mm, 28mm, 37mm.
Latch Bolt:	25.4mm x 12.7mm. ZA-27 Zinc, Chrome Plated, Hardened Steel Internal Pins, plus Anti-Pick baffle.
Latch Throw:	12.7mm.
Cylinder:	17mm Europrofile Cylinder or Thumbturn.
Operation:	Turn key or thumbturn to retract latch bolt.
Door Gap:	Maximum 5mm.
Forend:	Steel, with aluminium faceplate.



## Dimensions



## Ordering Codes

### Lock Bodies

4750-200	Deadlatch 24mm Backset
4750-300	Deadlatch 28mm Backset
4750-400	Deadlatch 37mm Backset

**Note:** Cylinders, thumbturns and faceplates not supplied as standard; order separately.

### Faceplates

24-4700-000-628	4700 Series Faceplate Flat SAA Finish
24-4700-100-628	4700 Series Faceplate Radius SAA Finish
24-4700-200-628	4700 Series Faceplate Left Hand Bevel SAA Finish
24-4700-300-628	4700 Series Faceplate Right Hand Bevel SAA Finish
24-4700-400-628	4700 Series Faceplate Radius Weatherstrip SAA Finish

**Note:** 628 denotes Satin Anodised Finish substitute 628 with 313 for Bronze, or 335 for Black.

## Related Hardware

4104 Mounting Bridges (p58) ~ Europrofile Cylinders & Escutcheons (p42)

Europrofile Thumbturns (p44) ~ 4596 Paddle Handle (p28) ~ 7100 Series Electric Strikes

# MS<sup>®</sup>+1890

Latch/Deadlock



ASSA ABLOY

## Function

Provides both Maximum Security after hours and convenient traffic-control management during the day. Three modes of door control are offered:

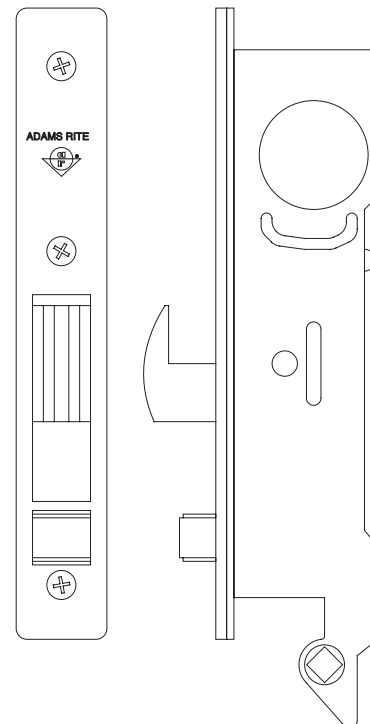
1. Both lock and latch bolts retracted for unrestricted entry and exit during business hours.
2. Handle-operated latch for exit-only traffic.
3. Maximum Security hookbolt for overnight locking.

Handles should be specified for one side only or both sides - with handles on both sides the problem of a door that stands ajar because of wind and air-conditioning pressures is solved with minimum traffic impediment. Latchbolt reversible; supplied non-handed unless specified.

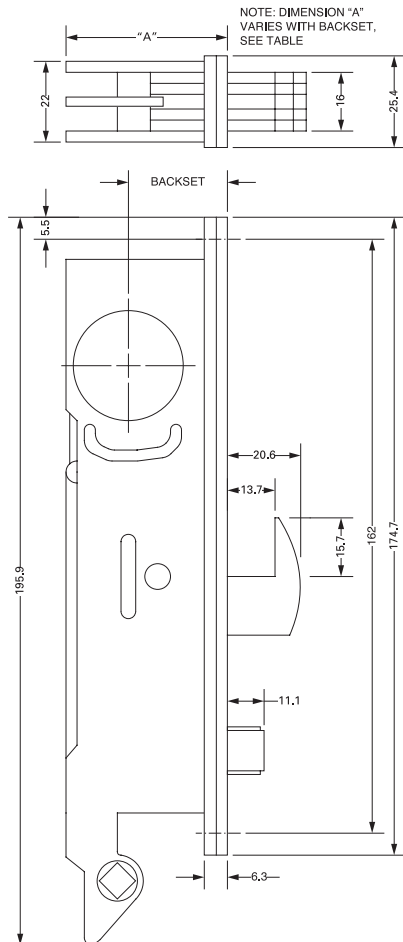
**Note: Not suitable for use with Electric Strikes - handle operation does not retract deadbolt.**

## Specifications

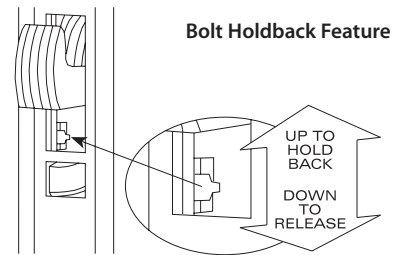
Overall Case Size:	195.9mm x 25.4mm x 40.6mm - 24.6mm Backset (31/32") 195.9mm x 25.4mm x 44.4mm - 28.6mm Backset (1 1/8") 195.9mm x 25.4mm x 57.1mm - 38.1mm Backset (1 1/2").
Case:	Steel with corrosion-resistant plating.
Backset:	24.6mm, 28.6mm, 38.1mm.
Latch Bolt:	15.9mm x 15.9mm. Zinc Alloy with Delrin face. Handing reversible.
Latch Bolt Throw:	11.1mm.
Lock Bolt:	34.9mm x 15.9mm. 5 Ply Laminated Steel with patented Alumina-Ceramic Anti-Saw Core.
Lock Bolt Throw:	20.6mm.
Cylinder:	Any standard 29.4mm (1 5/32") Mortice Cylinder or Thumbturn with MS <sup>®</sup> cam.
Operation:	360° turn of key throws or retracts deadbolt. When unlocked, further 120° turn retracts latchbolt.
Door Gap:	Maximum 3mm.
Forend:	Steel, with aluminium faceplate.



## Dimensions



Backset	Dimension "A"
24.6mm (31/32")	40.6mm (1.60")
28.6mm (1 1/8")	44.4mm (1.75")
38.1mm (1 1/2")	57.1mm (2.25")



### To Operate Bolt Holdback:

- 1 Throw lock bolt.
- 2 Push back latch bolt.
- 3 Operate bolt holdback lever with key or similar tool.

## Ordering Codes

### Lock Bodies

1890-250	24.6mm (31/32") Backset Hookbolt Latch/Deadlock
1890-350	28.6mm (1 1/8") Backset Hookbolt Latch/Deadlock
1890-450	38.1mm (1 1/2") Backset Hookbolt Latch/Deadlock

**Note:** Cylinders, thumbturns and faceplates not supplied as standard; order separately.

### Faceplates

24-1890-050-628	MS <sup>®</sup> +1890 Faceplate Flat Hook Lock SAA Finish
24-1890-150-628	MS <sup>®</sup> +1890 Faceplate Radius Hook Lock SAA Finish
24-1890-250-628	MS <sup>®</sup> +1890 Faceplate Left Hand Bevel Hook Lock SAA Finish
24-1890-350-628	MS <sup>®</sup> +1890 Faceplate Right Hand Bevel Hook Lock SAA Finish
24-1890-450-628	MS <sup>®</sup> +1890 Faceplate Radius Weatherstrip Hook Lock SAA Finish

**Note:** 628 denotes Satin Anodised Finish-substitute 628 with 313 for Bronze, or 335 for Black.

## Related Hardware

4104 Mounting Bridges (p58) ~ Round Mortice Cylinders (p38) ~ MS<sup>®</sup>4043 Cylinder Guard (p40)

Round Thumbturns (p44) ~ 4591 Paddle Handle (p26) ~ 4561 & 4565 Lever Handle & Thumbturn (p30)

4568 Lever Handle (p32) ~ 4505 Box Strikes (p50)

# MS<sup>®</sup> 1900

## Multipoint Locking System



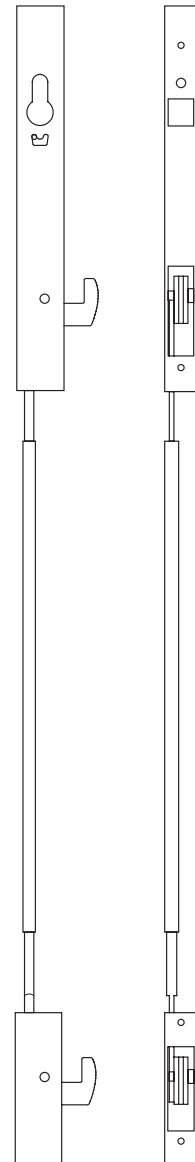
ASSA ABLOY

### Function

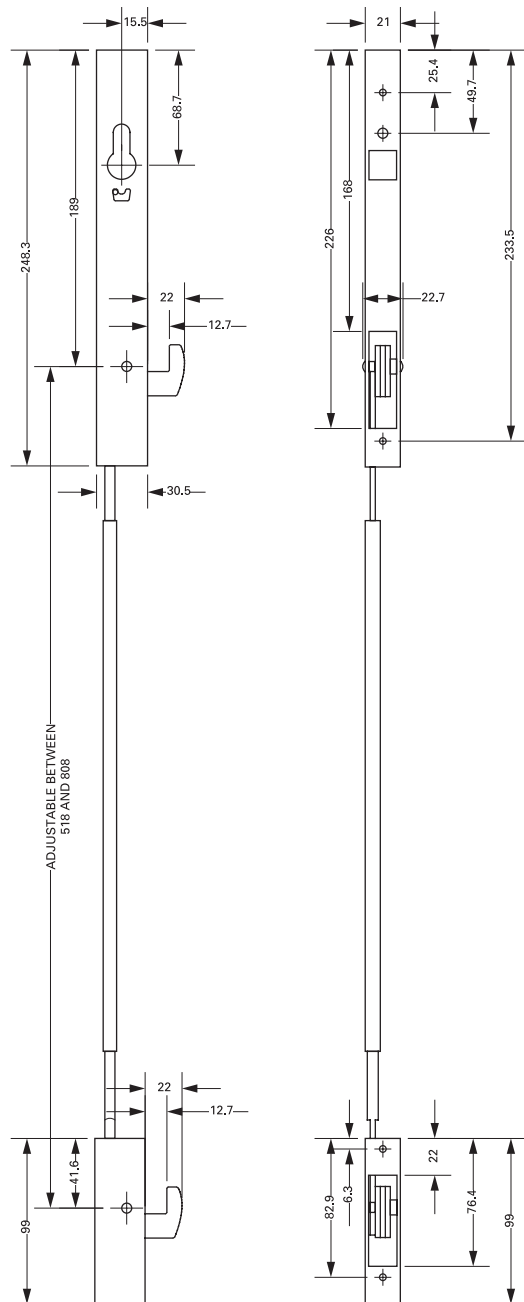
Designed primarily to provide **Maximum Security for sliding patio doors**, the MS<sup>®</sup>1900 retains the same uncomplicated over centre pivot mechanism and all the security features associated with Adams Rite MS<sup>®</sup> Deadlocks. The anti-lift hookbolt houses an alumina-ceramic core for protection against hacksaw attack. Locking is achieved by two 3-ply laminated steel hookbolts swinging into the jamb section behind striking plates.

### Specifications

Overall Case Size:	248.3mm x 21mm x 30.5mm (upper lock case) 99mm x 21mm x 30.5mm (lower lock case).
Case:	Steel with corrosion-resistant plating.
Hookbolt Throw:	22mm.
Operation:	360° turn of key throws or retracts hookbolts. Key only removable when bolt is positively locked or unlocked.
Door Gap:	Maximum 3mm.



## Dimensions



## Ordering Codes

### Lock Bodies

1900-01-01-CM-UK MS\*1900 Single Point Centrally Mounted without Header Slide  
 1900-01-02-CM MS\*1900 Two Point Centrally Mounted without Header Slide

**Note:** Cylinders and thumbturns not supplied as standard; order separately.  
 Due to the wide variety of jamb details used, a strike plate is not provided.

## Related Hardware

Europrofile Cylinders and Escutcheons (p42) ~ Europrofile Thumbturns (p44)

# 4593 and 4593E

Standard and Electrified Latch Pull

**A T S**



**ASSA ABLOY**

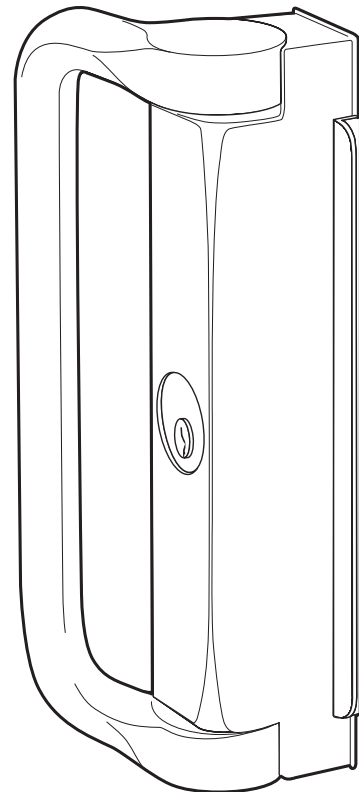
## Function

Offers ease of use and greater flexibility for narrow, medium and wide stile aluminum doors with Adams Rite 4710/4910/4720/4920 Deadlatches and 930/940 Series Exit Device latches. It is ideal for applications that require free access during the day and controlled access after hours. A simple pull of the handle unlatches the door, the handle is spring loaded to return to centre. It requires use of key after each activation or can be set to stay latched but unlocked. For use on standard 44.45mm aluminium, timber or steel doors. By using the 4593E electrified version, the latch pull handle can be integrated with most access control systems and used with card readers, keypads and other access control devices.

Optional latch guard (91-0452-130) for use on either butt-hinged application or pairs of doors that are non-rebated. Single doors must close flush with the frame.

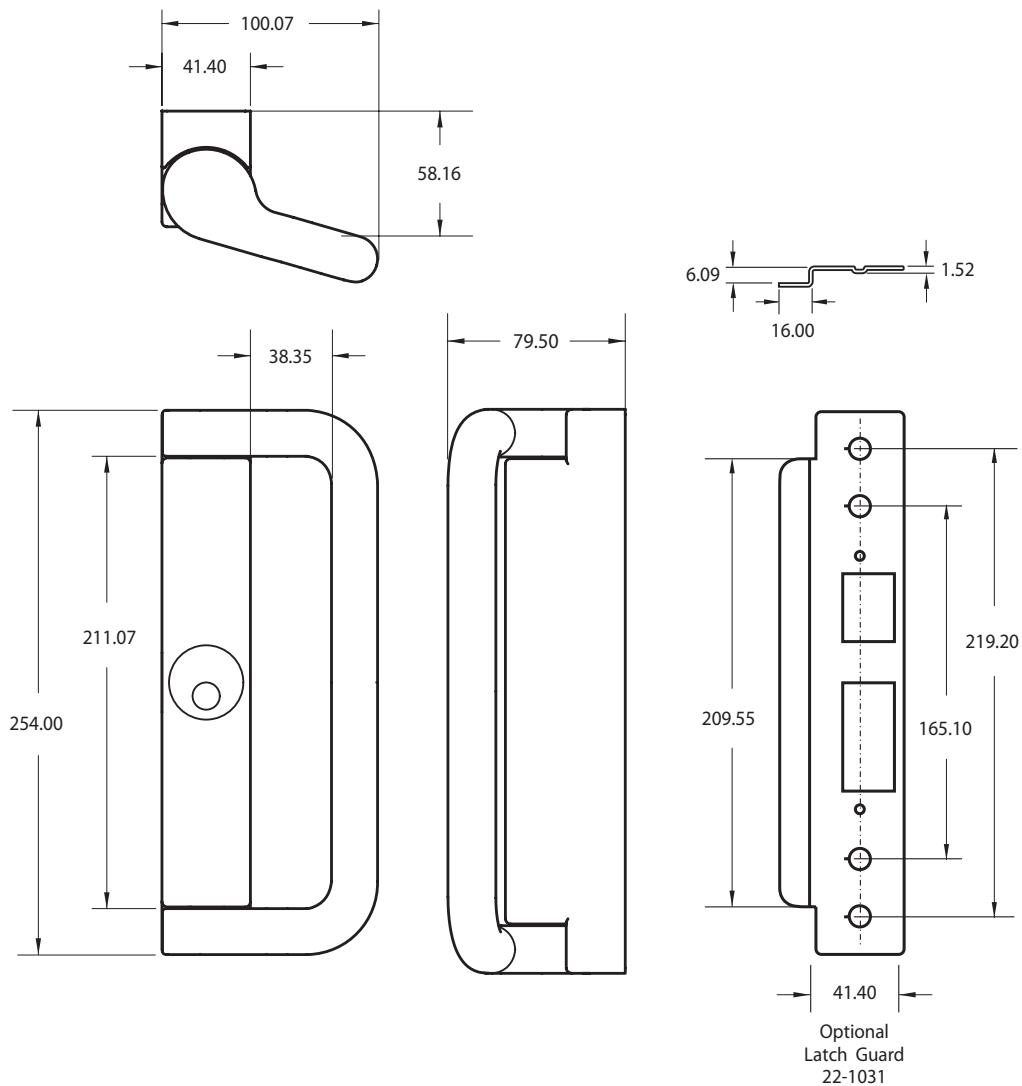
## Specifications

Dimensions:	See opposite.
Material:	Zinc alloy body and handle.
Projection:	See opposite.
Cylinder override:	Any standard 29.4mm mortice cylinder with MS® cam (not supplied).
Options:	Latch Guard (91-0452-130), 'E' Function.
Finishes:	Dark bronze, black, silver. Other finishes available on special order.
Operation:	Pull handle 27° to unlock/unlatch. Available in two modes: lock after each activation or latch only (passage function). Key operation from outside unlocks the handle to activate the deadlatch.
<b>Electrified 'E' Version:</b>	
Current draw:	12vDC=0.66A, 24vDC=0.33A. Solenoid rated for continuous duty operation.
Voltage tolerance:	±10%.





## Dimensions



## Ordering Codes

4593-08-130	Standard Latch, Pull to Left
4593-07-130	Standard Latch, Pull to Right
4593E-08-130-12	Electrified Latch, Pull to Left 12vDC
4593E-08-130-24	Electrified Latch, Pull to Left 24vDC
4593E-07-130-12	Electrified Latch, Pull to Right 12vDC
4593E-07-130-24	Electrified Latch, Pull to Right 24vDC

**Note:** 130 denotes silver paint finish, substitute 130 with 121 for bronze or 335 for black.

## Related Hardware

4710 Heavy Duty Deadlatch (p14) ~ 4720ANSI Deadlatch (p16) ~ 930/940 Series Exit Devices

4591 Paddle Handle (p26) ~ 4568 Lever Handle (p32)

# 4591

## Paddle Handle



BS EN 179:1998+A1: 2001 Classification Code 37601342B



ASSA ABLOY

### Function

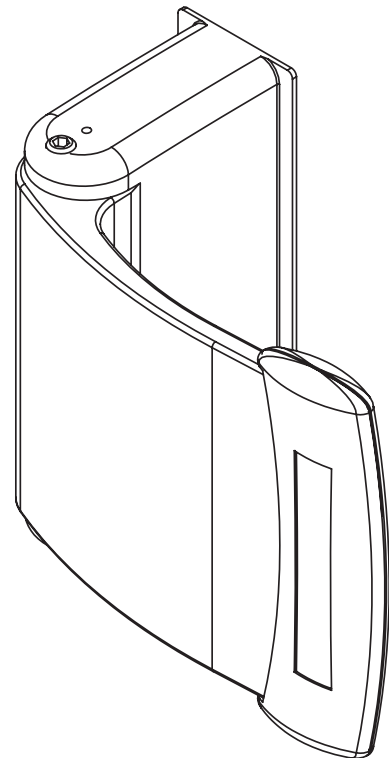
Designed for simple push or pull operation as an alternative to a lever handle, for use with the 4700/4900 series deadlatch (except 4750) and the MS+1890 latch/deadlock. Dogging comes as standard on all versions.

**Note:** When used on timber doors, a mounting plate must be used.

The push version of the 4591, when used on the 4710/4910 and 4720/4920 Series Deadlatch and used in conjunction with the 8460 Ramp Jaw Strikes or the 7108 and 7128 Electric Strikes, conforms to BS EN 179: 1998+A1: 2001 EC Certificate of Conformity number 1121-CPD-AB0011.

### Specifications

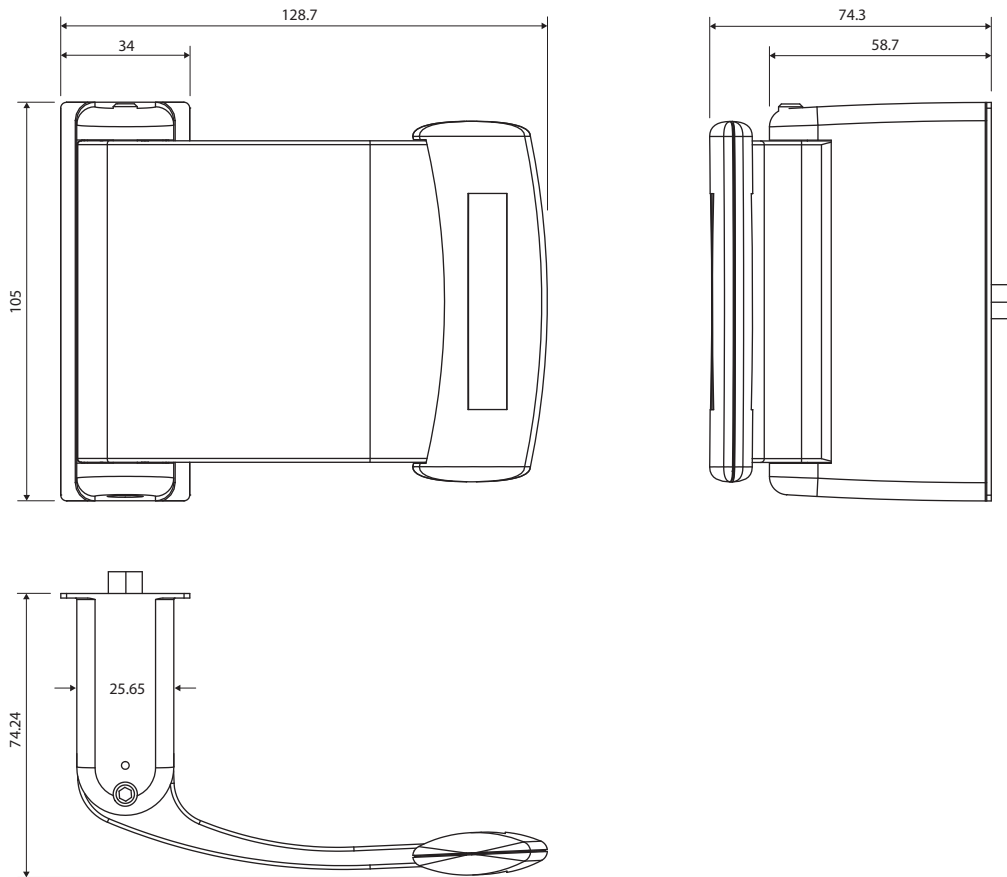
Escutcheon:	105mm x 34mm x 58.7mm (width of base flange). Zinc Alloy, Black finish.
Paddle:	85mm x 125mm. Maximum projection off face of door: 74.24mm. Extruded Aluminium, available in Satin Anodised, Dark Bronze, Black.
Spindle:	6.35mm (1/4") on the diamond, heat treated. Interlocks with cam plug. Standard spindle lengths to suit 44.45mm (1 3/4") door thickness.
Operation:	Four modes: Push to Left, Push to Right, Pull to Left and Pull to Right.



### Standards

In accordance with BS EN 179: 1998+A1: 2001 this product is designed to be used in emergency situations where people are familiar with the emergency exit and its hardware and therefore a panic situation is unlikely to develop. Where panic situations are foreseen, reference should be made to the Adams Rite 900 Series panic exit device range.

## Dimensions



Shown at rest. Paddle travel: 50.8mm.

## Ordering Codes

4591-01-01-628	Pull To Left Paddle Handle SAA Finish, c/w Cam Plug, 16mm spindle length for use with 4700/4900 Series
4591-11-00-628	Pull To Left Paddle Handle SAA Finish, 22mm spindle length for use with MS <sup>®</sup> +1890 Series
4591-03-01-628	Pull To Right Paddle Handle SAA Finish, c/w Cam Plug, 16mm spindle length for use with 4700/4900 Series
4591-13-00-628	Pull To Right Paddle Handle SAA Finish, 22mm spindle length for use with MS <sup>®</sup> +1890 Series
4591-02-01-628	Push To Left Paddle Handle SAA Finish, c/w Cam Plug, 16mm spindle length for use with 4700/4900 Series
4591-12-00-628	Push To Left Paddle Handle SAA Finish, 22mm spindle length for use with MS <sup>®</sup> +1890 Series
4591-04-01-628	Push To Right Paddle Handle SAA Finish, c/w Cam Plug, 16mm spindle length for use with 4700/4900 Series
4591-14-00-628	Push To Right Paddle Handle SAA Finish, 22mm spindle length for use with MS <sup>®</sup> +1890 Series
4591-00-628	Mounting Plate For 4590 Paddle Handle SAA Finish, for use with timber door

**Note:** 628 denotes Satin Anodised Finish - substitute 628 with 313 for Bronze, 335 for Black.  
The 4591 is not suitable for use with the 4750 Deadlatch.

## Related Hardware

MS<sup>®</sup>+1890 Latch/Deadlock (p20) ~ 8460 Ramp Jaw Strike (p52) ~ Mounting Plate for use with timber doors  
4710/4910 Series Deadlatches (p14) ~ 4720ANSI/4920ANSI Series Deadlatches (p16)

# 4596

## *Europrofile Operation Paddle Handle*



BS EN 179:1998+A1: 2001 Classification Code 37601342B



**ASSA ABLOY**

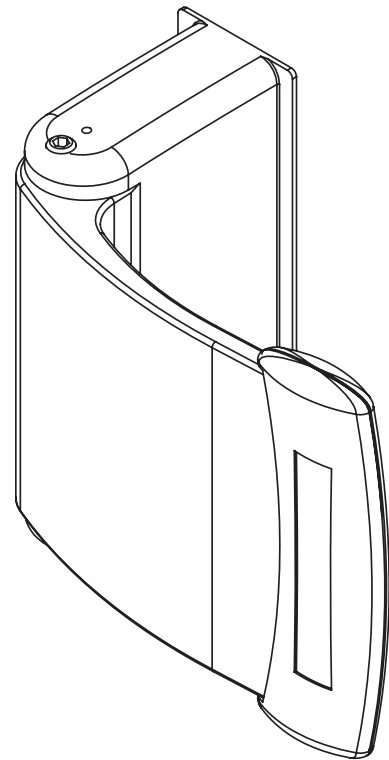
### Function

Designed for simple push or pull operation for use with the 4750 Series Deadlatch. Dogging comes as standard on push versions.

The push version of the 4596, when used on the 4750 Series Deadlatch and used in conjunction with the 8460 Ramp Jaw Strikes or the 7108 and 7128 Electric Strikes, conforms to BS EN 179: 1998+A1: 2001 EC Certificate of Conformity number 1121-CPD-AB0011.

### Specifications

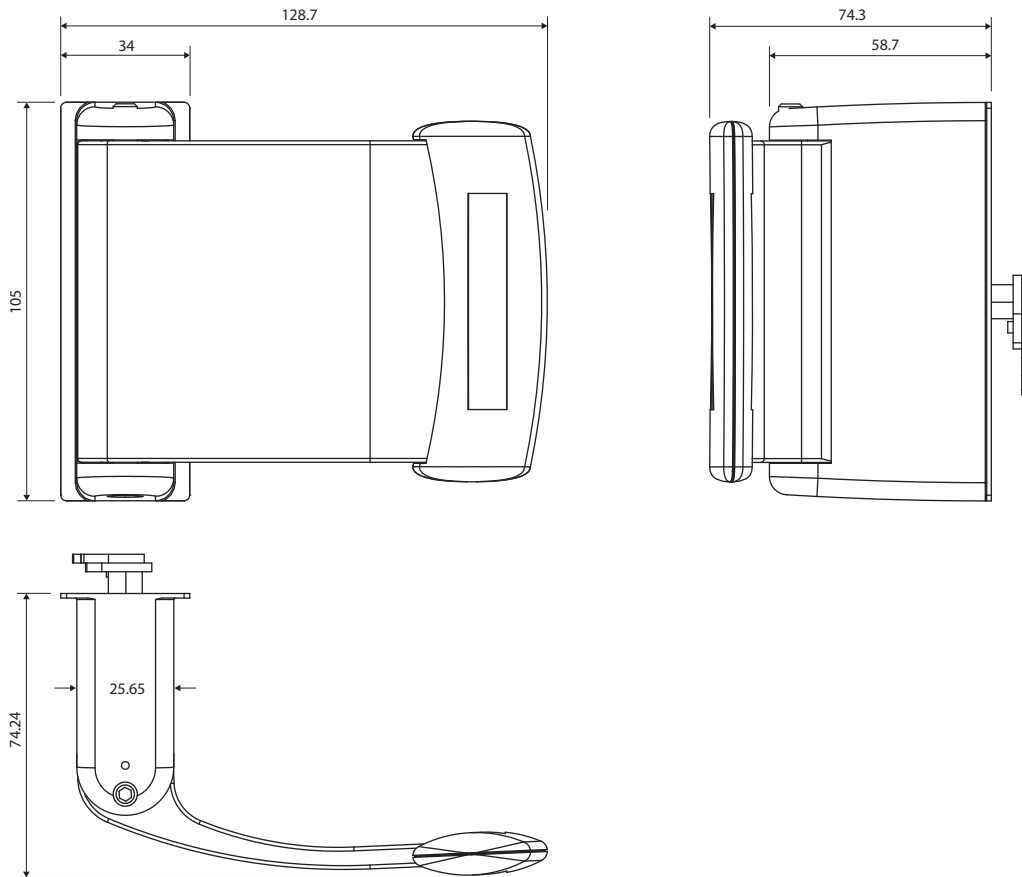
Escutcheon:	105mm x 34mm x 58.7mm (width of base flange). Zinc Alloy, Black finish.
Paddle:	85mm x 125mm. Maximum projection off face of door: 74.24mm. Extruded Aluminium, available in Satin Anodised, Dark Bronze, Black.
Spindle:	6.35mm (1/4") on the diamond, heat treated. Standard spindle lengths to suit 44.45mm (1 3/4") door thickness. Cam on end of spindle.
Operation:	Four modes: Push to Left, Push to Right, Pull to Left and Pull to Right.



### Standards

In accordance with **BS EN 179: 1998+A1: 2001** this product is designed to be used in emergency situations where people are familiar with the emergency exit and its hardware and therefore a panic situation is unlikely to develop. Where panic situations are foreseen, reference should be made to the Adams Rite 900 Series panic exit device range.

## Dimensions



Shown at rest. Paddle travel: 50.8mm.

## Ordering Codes

4596-01-01-628	Pull To Left Euro Paddle Handle SAA Finish (for 44mm doors)
4596-03-01-628	Pull To Right Euro Paddle Handle SAA Finish (for 44mm doors)
4596-02-01-628	Push To Left Euro Paddle Handle SAA Finish (for 44mm doors)
4596-04-01-628	Push To Right Euro Paddle Handle SAA Finish (for 44mm doors)

**Note:** 628 denotes Satin Anodised Finish - substitute 628 with 313 for Bronze, 335 for Black.

## Related Hardware

4750 Deadlatch (p18) ~ 8460 Ramp Jaw Strike (p52)

# 4561 and 4565

## Lever Handle and Thumbturn

**A**



**ASSA ABLOY**

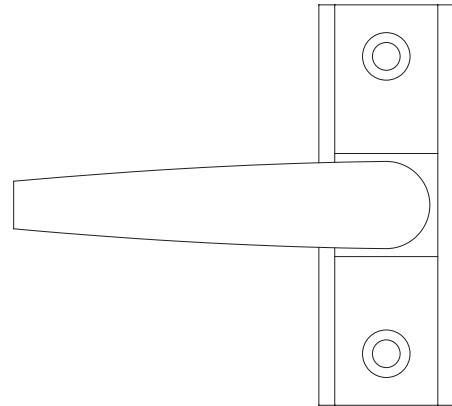
### Function

For operation of 4700 Series Deadlatches (except 4750) and MS®+1890 Latch/Deadlock. When used with 4700 Deadlatches an activator cam plug is incorporated that mounts on the handle escutcheon and fits solidly into the cylinder aperture. Downward action on lever handle or thumbturn retracts latchbolt.

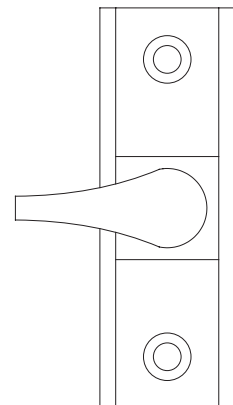
**Note:** The 4561 & 4565 are not intended for use as door pulls. Supplied non-handed, though re-handing to suit is easily accomplished via reversible cam plug. Suitable for 44.45mm (1 3/4") thick doors.

### Specifications

Escutcheon:	102mm x 34mm.
Material:	Black Satin Nylon (4561), Satin Chrome finish thumbturn (4565).
Spindle:	6.35mm (1/4") on the diamond, heat treated. Interlocks with cam plug.
Finishes:	Satin Aluminium, Black, Bronze (Ritecoat).
Cam Plug:	Supplied. Secured in latch by cylinder set-screw. Rigidly fixed to handle escutcheon by hardened steel pins. Handing reversible.

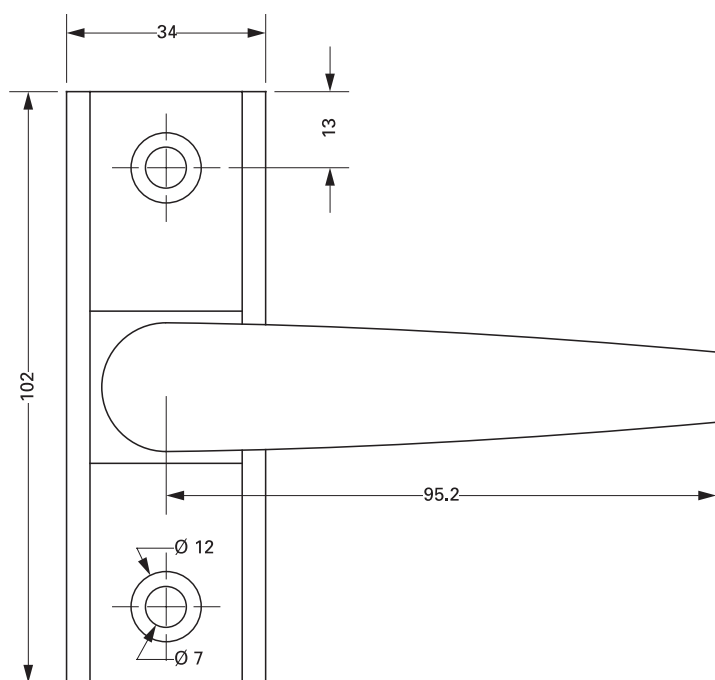


4561 Lever Handle

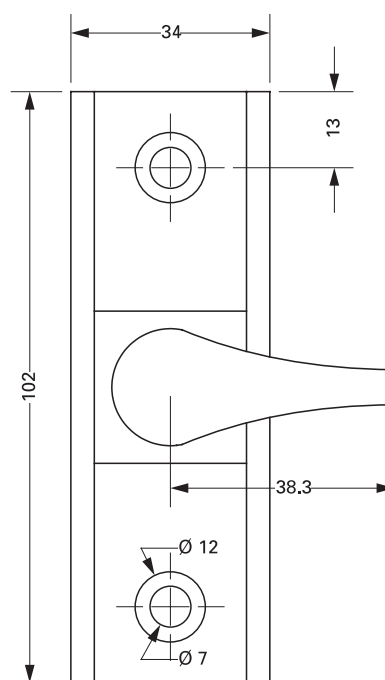


4565 Thumbturn

## Dimensions



4561 Lever Handle



4565 Thumbturn

## Ordering Codes

4561-001-119	Lever Handle Black Finish Escutcheon c/w Cam Plug, 16mm spindle length, for use with 4700 Series
4561-001-121	Lever Handle Bronze Finish Escutcheon c/w Cam Plug, 16mm spindle length, for use with 4700 Series
4561-001-130	Lever Handle SA Finish Escutcheon c/w Cam Plug, 16mm spindle length, for use with 4700 Series
4561-011-130	Lever Handle SA Finish Escutcheon, No Cam Plug, 16mm spindle length, for use with 4700 Series
4561-012-130	Lever Handle SA Finish Escutcheon, No Cam Plug, 22mm spindle length, for use with MS <sup>®</sup> +1890 Series
4565-001-119	Thumbturn Black Finish c/w Cam Plug, 16mm spindle length, for use with 4700 Series
4565-001-121	Thumbturn Bronze Finish c/w Cam Plug, 16mm spindle length, for use with 4700 Series
4565-001-130	Thumbturn SA Finish c/w Cam Plug, 16mm spindle length, for use with 4700 Series
4565-011-130	Thumbturn SA Finish, No Cam Plug, 16mm spindle length, for use with 4700 Series
4565-012-130	Thumbturn SA Finish, No Cam Plug, 22mm spindle length, for use with MS <sup>®</sup> +1890 Series

**Note:** 130 denotes Ritecoat Satin Aluminium finish-substitute with 119 for Black or 121 for Bronze Ritecoat finishes.  
The 4561 & 4565 are not suitable for use with the 4750 Deadlatch.

## Related Hardware

4710 Heavy Duty Deadlatch (p14) ~ 4720ANSI Deadlatch (p11) ~ MS<sup>®</sup>+1890 Latch/Deadlock (p20)

# 4568

## Lever Handle

**A**



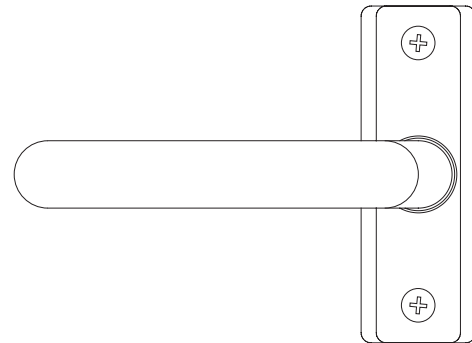
### Function

For operation of 4700 Series Deadlatches (except 4750) and MS®+1890 Latch/Deadlock. An activator cam plug is available separately that mounts on the handle escutcheon and fits solidly into the cylinder hole of the latch. Downward action on lever handle retracts latchbolt. When used with MS®+1890 Latch/Deadlock, 4580 Cam Plug is omitted and spindle is extended to 22mm.

**Note:** This handle is not intended for use as a door pull. Supplied non-handed, though re-handing to suit is easily accomplished via reversible cam plug.

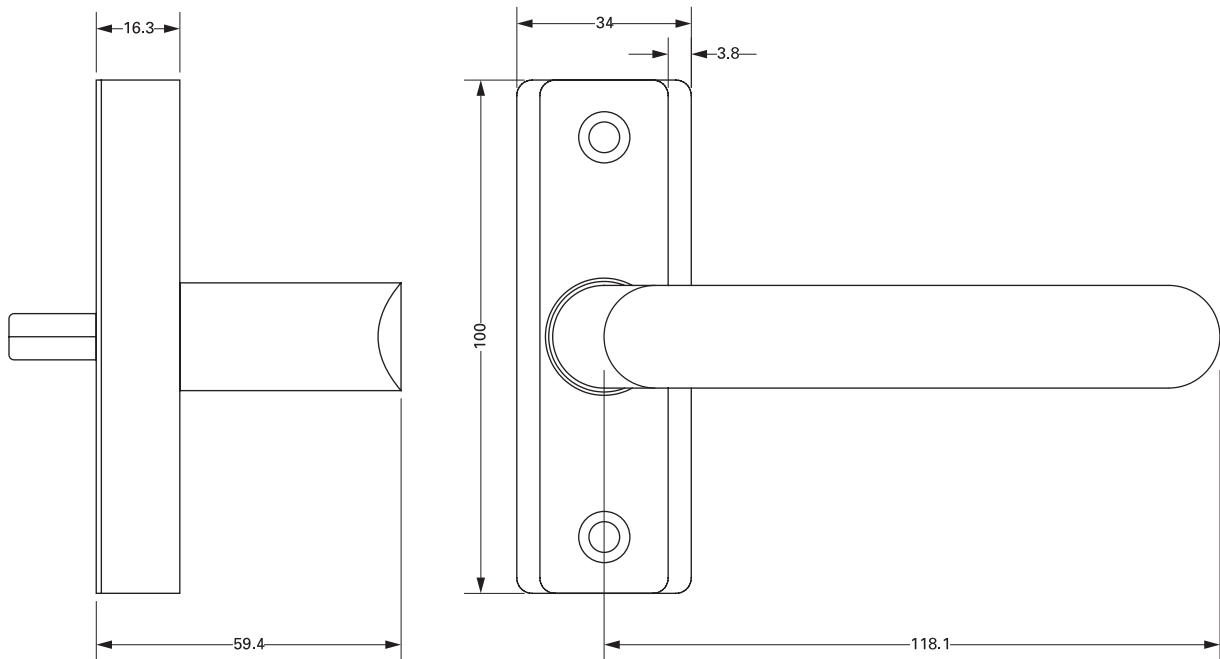
### Specifications

Escutcheon:	100mm x 34mm. Steel mounting base.
Material:	Cast aluminium.
Spindle:	6.35mm (1/4") on the diamond, heat treated. Interlocks with cam plug. Standard spindle lengths to suit 44.45mm (1 3/4") door thickness.
Finishes:	628 Satin Aluminium, 335 Black, 313 Bronze.
Cam Plug: (not supplied)	Secured in latch by cylinder set-screw. Rigidly fixed to handle escutcheon by hardened steel pins. Handing reversible.





## Dimensions



## Ordering Codes

4568-011-121	Lever Handle Bronze Anodised Aluminium Finish, 16mm spindle length for use with 4700 Series
4568-011-335	Lever Handle Black Anodised Aluminium Finish, 16mm spindle length for use with 4700 Series
4568-011-130	Lever Handle Satin Anodised Aluminium Finish, 16mm spindle length for use with 4700 Series
4568-012-121	Lever Handle Bronze Anodised Aluminium Finish, 22mm spindle length for use with MS®+1890 Series
4568-012-130	Lever Handle Satin Anodised Aluminium Finish, 22mm spindle length for use with MS®+1890 Series
4580	Cam Plug (reversible)

**Note:** Cam plug not included, order separately. Other sizes are available for thicker doors; contact the Customer Service Department for details. The 4568 is not suitable for use with the 4750 Deadlatch.

## Related Hardware

4710 Heavy Duty Deadlatch (p14) ~ 4720ANSI Deadlatch (p11) ~ MS®+1890 Latch/Deadlock (p20)

# Codelock

## Mechanical Access Control for Aluminium Doors



ASSA ABLOY

A

### Function

An alternative to electronic keypads, electric strikes, magnetic locks and other systems used on aluminium doors.

Designed to be fitted with the Adams Rite range of mortice round cylinder deadlatches. Ideal for new or retrofit applications.

The Codelock can be fitted as an external entry trim with the 930/940 Panic Exit Device conforming to BS EN 1125:1997+A1:2001 or the 4591 Paddle Handle Emergency Exit Device package conforming to BS EN 179:1998+A1:2001.

### Specifications

Provides access control in the following ways:

- By code via the keypad.
- By key which can override the code and retract the latch.
- The key can also be used to lock out code users.
- Code free operation can be selected on 0465 and 0475 models.

- Handing: Easily configured for left or right hand hung doors.
- Handle: Full size lever handle.
- Finish: PVD Stainless steel finish.
- Other: Includes cams and fixing tabs.  
Easy installation.

### Variations

- 0460 Narrow Stile Codelock complete with cams and round cylinder.  
13 coded buttons, 8191 different codes.
- 0465 Narrow Stile Codelock complete with code free function,  
cams and round cylinder.  
12 coded buttons, 4095 different codes.
- 0470 Narrow Stile Codelock complete with cams and europrofile cylinder.  
13 coded buttons, 8191 different codes.
- 0475 Narrow Stile Codelock complete with code free function,  
cams and europrofile cylinder.  
12 coded buttons, 4095 different codes.



Model shown: C0475L-28  
with faceplate (supplied separately).

## Product Views



## Ordering Codes

- C0460L-28** Codelock c/w Adams Rite 28.6mm backset heavy duty deadlatch, cams, mortice cylinder and lever handles  
**C0460L-38** Codelock c/w Adams Rite 38.1mm backset heavy duty deadlatch, cams, mortice cylinder and lever handles  
**C0460L** Codelock c/w cams, mortice cylinder and lever handles
- C0465L-28** Codelock c/w Adams Rite 28.6mm backset heavy duty deadlatch, code free function, cams, mortice cylinder and lever handles  
**C0465L-38** Codelock c/w Adams Rite 38.1mm backset heavy duty deadlatch, code free function, cams, mortice cylinder and lever handles  
**C0465L** Codelock c/w code free function, cams, mortice cylinder and lever handles
- C0470L-28** Codelock c/w Adams Rite 28.6mm backset heavy duty deadlatch, cams, europrofile cylinder and lever handles  
**C0470L-38** Codelock c/w Adams Rite 38.1mm backset heavy duty deadlatch, cams, europrofile cylinder and lever handles  
**C0470L** Codelock c/w cams, europrofile cylinder and lever handles
- C0475L-28** Codelock c/w Adams Rite 28.6mm backset heavy duty deadlatch, code free function, cams, europrofile cylinder and lever handles  
**C0475L-38** Codelock c/w Adams Rite 38.1mm backset heavy duty deadlatch, code free function, cams, europrofile cylinder and lever handles  
**C0475L** Codelock c/w code free function, cams, europrofile cylinder and lever handles

**Notes:** Stainless steel finish on all models. Faceplates and strikes not included in packages, please order separately.

## Related Hardware

4910 Heavy Duty Deadlatch ~ 4591 Paddle Handle (p26) ~ 930 Series Mortice Exit Device ~ 940 Series Mortice Exit Device  
 Aluminium Faceplates ~ 8460 Strike Plates (essential for BS EN 179 or BS EN 1125 compliance, p52)

# 3080 and 3080E Series

Standard and Electrified Entry Trims

**A T S**



**ASSA ABLOY**

## Function

Supplied complete for use with Adams Rite 900 Series Touch Bar Exit Devices, 4710/4720 Series Deadlatches and the 4781 Two Point Latch. For use on aluminium, hollow metal or timber doors, these entry trims have cylinder operation facility allowing key holder control. The 3080 Series feature an innovative clutch that protects a locked lever against upward and downward pull.

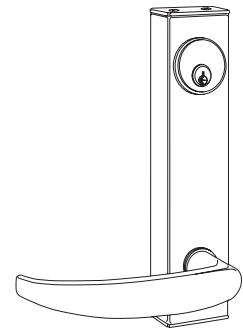
The 3081E/3082E/3083E models are identical in appearance to the standard versions, but are suitable for use with most access control systems.

## Specifications

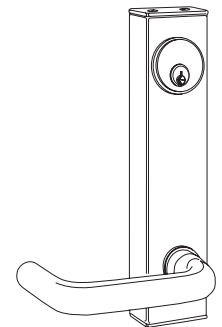
Dimensions:	See opposite.
Material:	Mild steel body, with clip-on stainless steel trim and zinc alloy lever.
Projection:	See opposite.
Cylinder:	Any standard 29.4mm mortice cylinder with MS <sup>®</sup> cam (not supplied).
Standards:	All models ANSI/BHMA Grade 1.
Finishes:	Dark bronze, black, silver.
Override:	Available with or without cylinder override.

### Electrified 'E' Version:

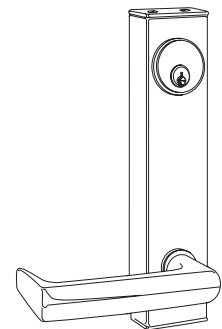
Current draw:	12vDC=0.5A, 24vDC=0.25A.
Voltage tolerance:	±10%.
Operation:	Fail-safe or fail-secure.



3081/E

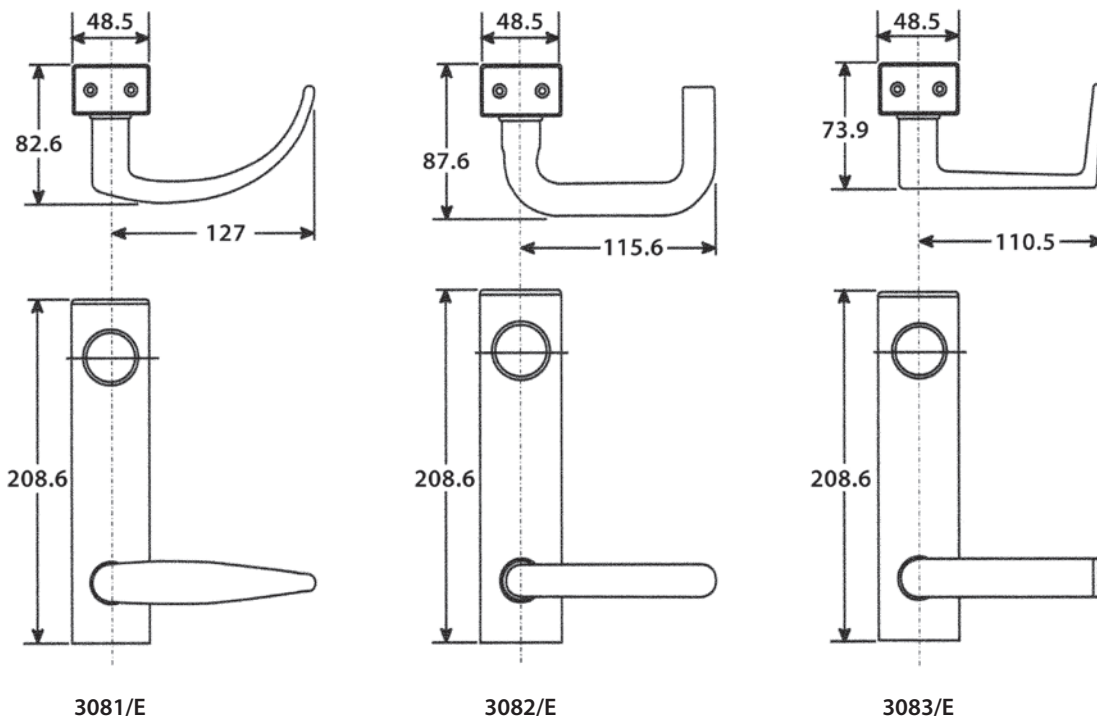


3082/E



3083/E

## Dimensions



## Ordering Codes

### Standard Models

3081-3U-626	Entry Trim with cylinder cutout
3082-3U-626	Entry Trim with cylinder cutout
3083-3U-626	Entry Trim with cylinder cutout

**Note:** Models without cylinder cutout are also available upon request.

### Electrified 'E' Models

3081E-3U-35-626	12vDC Fail Safe with cylinder cutout
3081E-3U-30-626	12vDC Fail Secure with cylinder cutout
3082E-3U-35-626	12vDC Fail Safe with cylinder cutout
3082E-3U-30-626	12vDC Fail Secure with cylinder cutout
3083E-3U-35-626	12vDC Fail Safe with cylinder cutout
3083E-3U-30-626	12vDC Fail Secure with cylinder cutout

**Note:** 24vDC and models without cylinder cutout are also available upon request.

## Related Hardware

900 Series Panic Exit Device Range ~ 4710/4910 Series Deadlatches (p14) ~ 4720ANSI/4920ANSI Series Deadlatches (p16)  
 4036 Cylinders (p36) ~ 4781 Two Point Latch ~ 4591 Paddle Handle (p26) ~ 4568 Lever Handle (p32)

# Cylinders

## Round Mortice Type

**A T S**



**ASSA ABLOY**

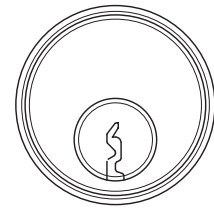
### Function

To complement the Adams Rite range of deadlatches and deadlocks which accept a round screw-in mortice cylinder. Either five-pin or multi-pin, all models are of standard length and will cater for door thicknesses of between 44 and 47mm (when used with slimmer trim rings). Satin Chrome finish is standard, except for 4036 models which are available in SAA, Bronze and Black Anodised finishes. Each cylinder is supplied with an appropriate cosmetic trim ring to cover the hole cut in the door.

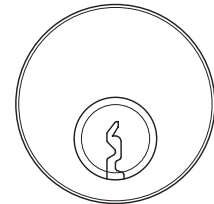
**Note:** It is recommended that the MS®4043 Cylinder Guard is always fitted to eliminate the potential for the cylinder to be twisted out of the lockcase using mole grips or similar. On 47mm thick doors longer cylinders may be required.

### Specifications

Overall Sizes:	35mm x 35mm x 28.5mm (AREL/4056) 35mm x 35mm x 28.5mm (4036) 35mm x 35mm x 31.4mm (Union/4044)
Diameter:	29mm, 32 TPI.
Material:	Brass.
Keys:	Nickel Silver, 2 supplied.
Keying:	Various; to differ, to pass or suited with other cylinders utilizing the same size keyway.



AREL (4056)

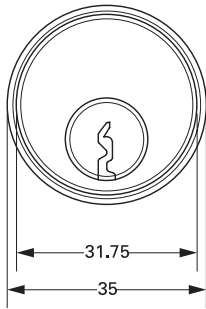


4036

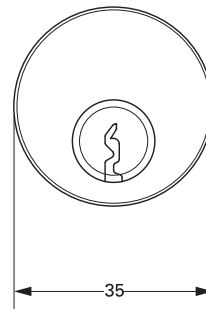
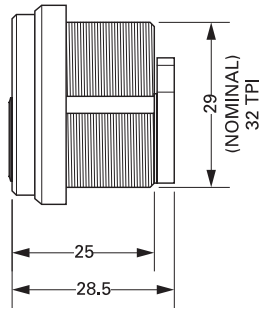


Union (4044)

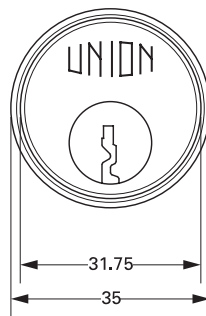
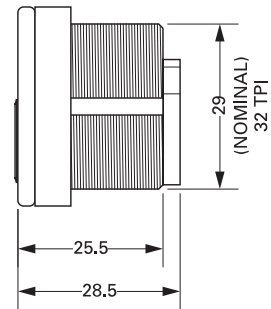
## Dimensions



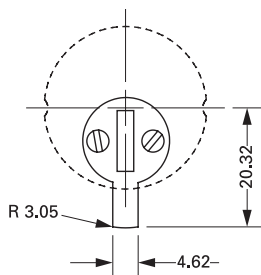
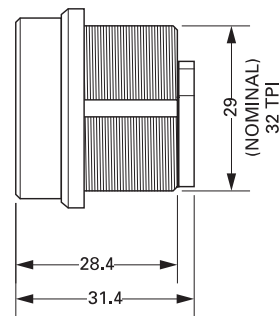
AREL (4056) Mortice Cylinder



4036 Mortice Cylinder



Union (4044) Mortice Cylinder



**Note:** All round mortice cylinder lockcases are operable by any standard 1 5/32" diameter mortice cylinder with special MS® cam dimensioned as shown here. Cam Tolerance:  $\pm 0.13\text{mm}$ .

## Ordering Codes

4056-000	Key Blank to suit 4056 Cylinder
4056-3	3mm Trim Ring to suit 4056 Cylinder
4056-6	6mm Trim Ring to suit 4056 Cylinder
4056-61-00-626	AREL Mortice Cylinder Blank (c/w 6mm Trim Ring)
4056-61-01-626	AREL Mortice Cylinder KD Satin Chrome
4056-61-02-626	AREL Mortice Cylinder KA2 Satin Chrome
4056-61-626-xx	AREL Mortice Cylinder KA Satin Chrome
4036-001	Key Blank to suit 4036 Cylinder
4036-61-01-628	Mortice Cylinder KD SAA
4036-61-02-628	Mortice Cylinder KA2 SAA
4036-61-628-xx	Mortice Cylinder KA SAA
4044-000	Key Blank to suit Union 2x11 Cylinder
4044-41-01-626	Union Cylinder KD Satin Chrome
4044-41-02-626	Union Cylinder KA2 Satin Chrome

**Note:** The above table lists the most popular variations; for additional models contact the Customer Service Department.

# MS<sup>®</sup> 4043

Cylinder Guard

**A S**



**ASSA ABLOY**

## Function

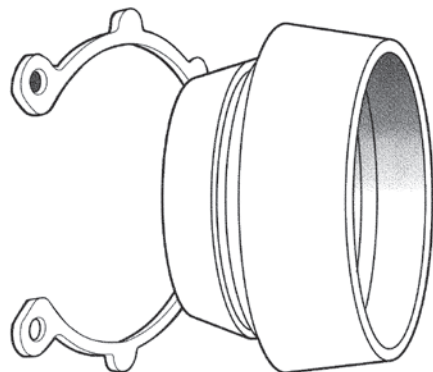
As a standard mortice cylinder is made of brass, it is a potential weak point in narrow stile door security. The MS<sup>®</sup>4043 offers three forms of defence against somebody trying to prise the cylinder out of the door:

1. Outer shield ring is fully bevelled to offer poor grip for prying or twisting.
2. The ring is manufactured from hardened steel, and coupled with its shape makes gripping the ring tightly virtually impossible.
3. If a tool such as a cold chisel is driven into the stile behind the shield ring, the cylinder is still protected by the retainer plate, which would have to be pulled through a round hole in the metal door stile. This degree of leverage would be impossible with most hand tools.

The MS<sup>®</sup>4043 may be used on outside only or on both outside and inside of a double-cylinder lock.

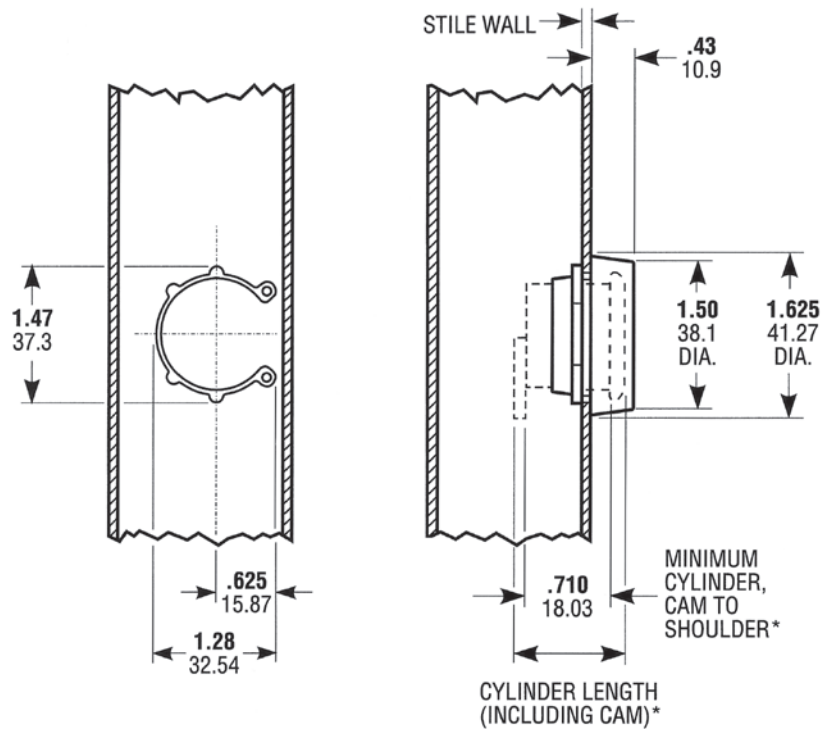
## Specifications

Security Ring:	Zinc-plated hardened steel. Free swivelling.
Retainer Plate:	Steel with corrosion resistant plating.
Stile Thickness:	3.2mm.
Spacers:	Supplied. To fit stile wall if thinner than 3.2mm.
Spreader Wrench:	Supplied. For fitting retainer plate.





## Dimensions



\*Contact factory regarding non-standard dimensions.

## Ordering Codes

4043-00-602

MS®4043 Cylinder Guard c/w Retainer Plate

## Related Hardware

Round Cylinders (p38) ~ MS®4000 Armoured Parts (p50)

# Cylinders

## *Europrofile Type and Escutcheons*

**A T S**



**ASSA ABLOY**

### Function

A range of five-pin 17mm diameter Europrofile Cylinders designed to complement the Adams Rite range of Euro Deadlatches and High Security Deadlocks. Includes dual and half profile, with KD, KA and KA2 keying options. To prevent the cylinders from being forced through the lockcase the cam sits at 30° off-centre thereby overlapping the side plate of the lockcase.

**Note:** Adams Rite recommends that the 60-33-17-630 Cylinder Escutcheon is fitted to resist attacks by hammer and chisel. For cosmetic purposes self-adhesive or screw-on Escutcheons are available.

### Specifications

#### Europrofile Cylinders

Overall Sizes: 33mm x 17mm x 60mm (Dual Profile)  
33mm x 17mm x 41mm (Half Profile).

Diameter: 17mm.

Material: Brass (Nickel plated).

Keys: Nickel Silver, 3 supplied.

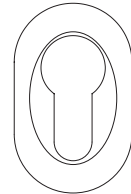
Keying: Various; to differ, to pass or suited with other cylinders utilizing the same size key blank. Master keyed available on special order.

#### Escutcheons

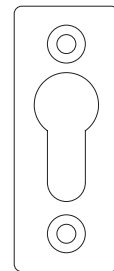
Size: 49.5mm x 32mm x 9mm (60-33-17-630)  
70mm x 28mm x 7mm (1755PZ)  
67.5mm x 30mm x 2mm (Self-Adhesive).



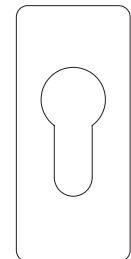
Sofi Europrofile Cylinder



60-33-17-630 Escutcheon

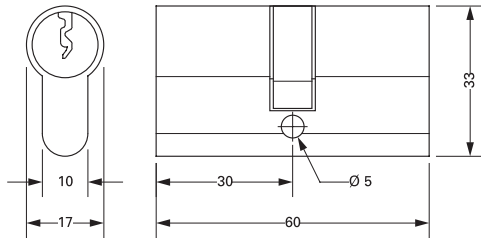


1755PZ Escutcheon

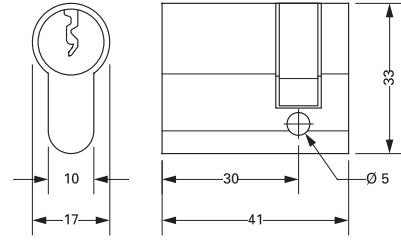


Self-Adhesive Escutcheon

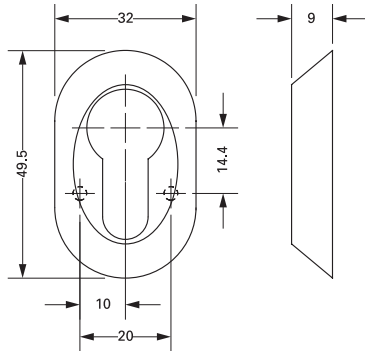
## Dimensions



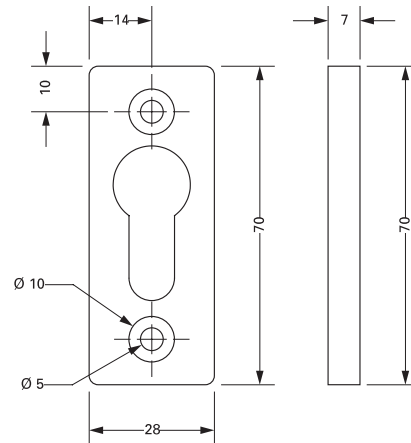
Sofi Europrofile Cylinder



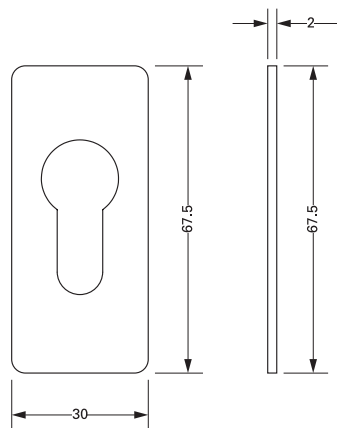
Sofi Half Europrofile Cylinder



60-33-17-630 Escutcheon



1755PZ Escutcheon



Self-Adhesive Escutcheon

## Ordering Codes

61-00	Sofi Key Blanks
61-00-30-0-1	Sofi Half Profile Cylinder KD
61-00-30-0-1-2	Sofi Half Profile Cylinder KA2
61-00-30-0-1-xx	Sofi Half Profile Cylinder KA
61-30-30-0-1	Sofi Cylinder KD
61-30-30-0-1-2	Sofi Cylinder KA2
61-30-30-0-1-xx	Sofi Cylinder KA
60-33-17-630	D32 Cylinder Escutcheon for 17mm Europrofile Cylinder
1755PZ Face Fix Esc	Face Fix Escutcheon Screw On F1 Finish SAA
601-628	Euro Profile Self Adhesive Escutcheon SAA

**Note:** The above table lists the most popular variations; for additional models and finishes contact the Adams Rite Customer Services Department.

# Thumbturns

*Europrofile and Round Types*

**A T S**



**ASSA ABLOY**

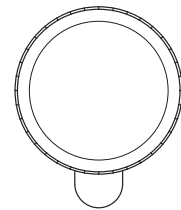
## Function

A range of 17mm Europrofile Cylinders c/w Thumbturns and round screw-in Mortice Thumbturns provide **unrestricted exit without the requirement for a lever or paddle handle**. The Europrofile models are finished in Bright or Satin Chrome and are 30-30 form as standard although special sizes can be ordered. The round screw-in models are available in Satin Aluminium, Bronze and Black anodised finishes, and are one size only, which will cater for door thicknesses of 45mm to 48mm (if a thinner trim ring is used).

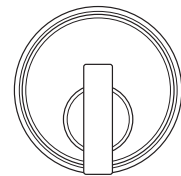
**Note:** If a deadlatch is being used be sure to specify the mortice version without ball & spring (4067-01-628-00).

## Specifications

Overall Sizes:	33mm x 35mm x 84mm (Europrofile) 35mm x 35mm x 45.5mm (Round Mortice).
Diameter:	17mm (Europrofile) 29mm barrel (Round Mortice).
Material:	Brass, Nickel plated (Europrofile) Brass (Round Mortice).

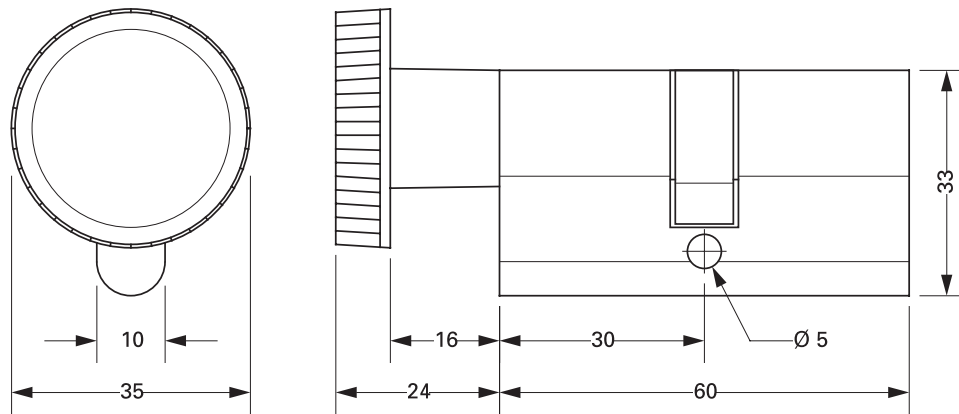


Sofi Europrofile  
Thumbturn Cylinder

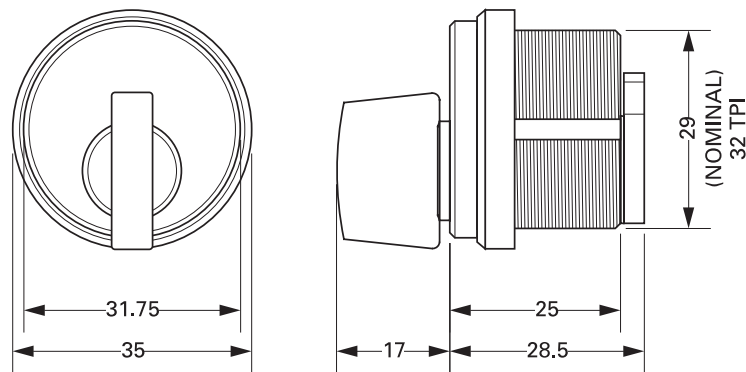


4067 Mortice  
Thumbturn Cylinder

## Dimensions



Sofi Europrofile Thumbturn Cylinder



4067 Mortice Thumbturn Cylinder

## Ordering Codes

61-30-30-1-1	Sofi Europrofile Cylinder c/w Thumbturn KD
61-30-30-1-1-01	Sofi Europrofile Cylinder c/w Thumbturn KA
61-30-30-1-1-2	Sofi Cylinder Europrofile c/w Thumbturn KA2
4067-01-313	Mortice Thumbturn Bronze Finish
4067-01-335	Mortice Thumbturn Black Finish
4067-01-605	Mortice Thumbturn Gold Finish
4067-01-626	Mortice Thumbturn Chrome Finish
4067-01-628	Mortice Thumbturn SAA Finish
4067-01-628-00	Mortice Thumbturn SAA Finish without Ball & Spring for use with Deadlatches
4067-02-313	Mortice Thumbturn Bronze Finish for use with 4070 Series (c/w modified cam)
4067-02-628	Mortice Thumbturn SAA Finish for use with 4070 Series (c/w modified cam)

# 1870

## Cylinder-Operated Flushbolt

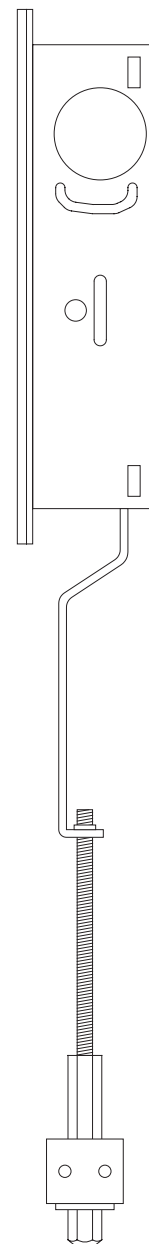
**A S****ASSA ABLOY**

### Function

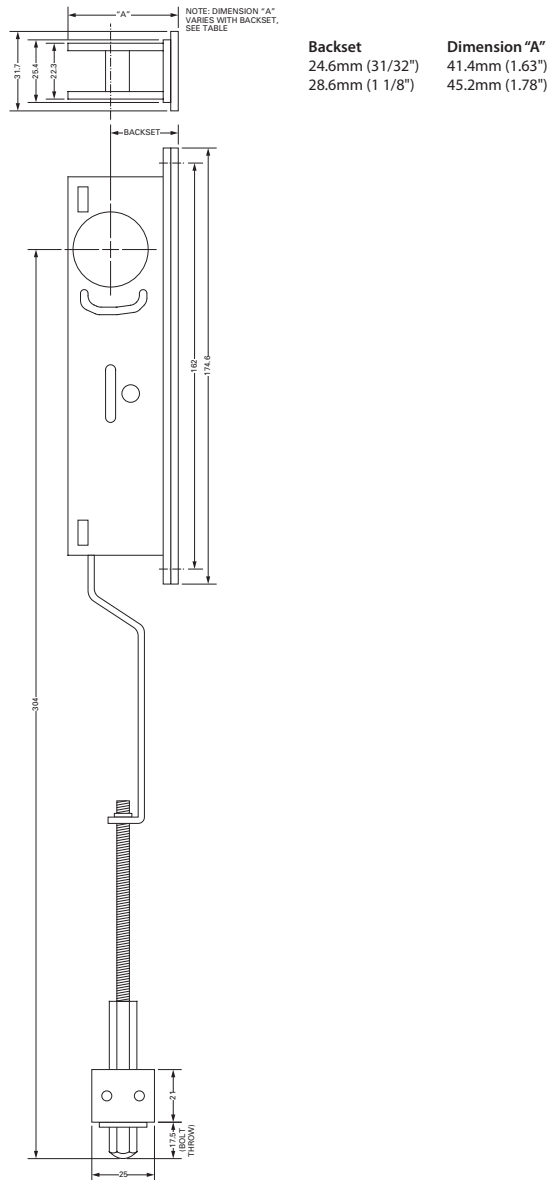
Designed as an alternative to flip-lever operated flushbolts, the 1870 offers building management key control of the inactive leaf of paired doors, thus preventing unauthorised operation. Recommended for installation at both top and bottom of inactive door, with an Adams Rite Maximum Security lockcase in the active door for greatest security.

### Specifications

Overall Case Size:	174.6mm x 31.7mm x 41.4mm - 24.6mm Backset (31/32") 174.6mm x 31.7mm x 45.2mm - 28.6mm Backset (1 1/8").
Cylinder Height:	304.8mm (12") (Cylinder centreline to retracted bolt tip). ±31.75mm adjustment possible.
Case:	Steel with corrosion-resistant plating.
Backset:	24.6mm, 28.6mm.
Bolt:	9.5mm (flat to flat). Hexagonal, hardened steel.
Bolt Throw:	17.5mm.
Operation:	360° turn of key throws or retracts hardened hex-section bolt. Key only removable when bolt is in positively locked or unlocked position.
Cylinder:	Any standard 29.4mm (1 5/32") Mortice Cylinder or Thumbturn with MS® cam.
Strike:	12.7mm diameter hole in metal threshold or header is suitable.
Forend:	Steel, with aluminium faceplate.



## Dimensions



## Ordering Codes

### Lock Bodies

1870-200	24.6mm (31/32") Backset Cylinder Operated Flushbolt
1870-300	28.6mm (1 1/8") Backset Cylinder Operated Flushbolt

**Note:** Cylinders, thumbturns and faceplates not supplied as standard; order separately.

### Faceplates

24-1870-000-628	1870 Faceplate Flat SAA Finish
24-1870-100-628	1870 Faceplate Radius SAA Finish
24-1870-200-628	1870 Faceplate Left Hand Bevel SAA Finish
24-1870-300-628	1870 Faceplate Right Hand Bevel SAA Finish
24-1870-400-628	1870 Faceplate Radius Weatherstrip SAA Finish

**Note:** 628 denotes Satin Anodised Finish-substitute 628 with 313 for Bronze.

## Related Hardware

Round Cylinders (p38) ~ MS®4043 Cylinder Guard (p40) ~ Round Thumbturns (p44)

# 6201

## Flushbolt

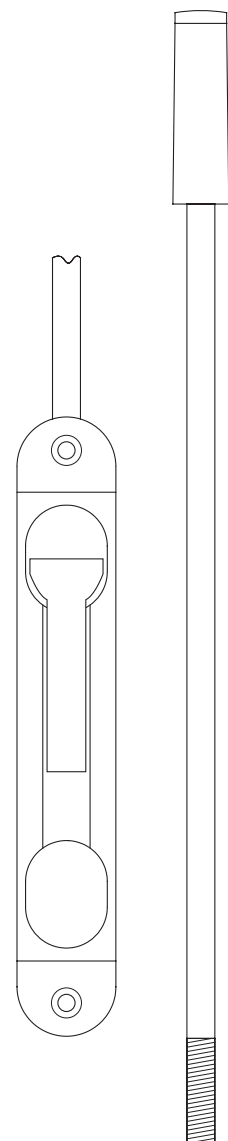
**A****ASSA ABLOY**

### Function

For securing the slave leaf of a pair of doors. Standard installation requires two flushbolts, morticed into the top and bottom of the door.

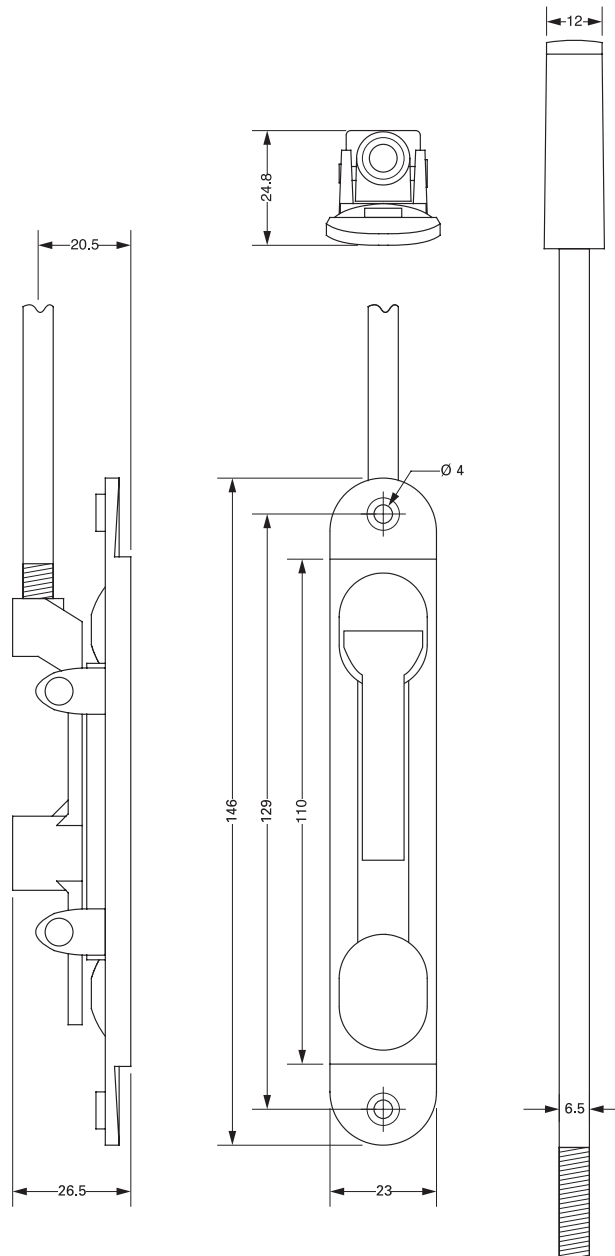
### Specifications

Dimensions:	305mm x 23mm x 24.8mm.
Case:	Die-cast zinc alloy body mechanism.
Bolt:	Hardened Steel Bolt, Zinc-Plated, Anti-Rattle Sleeve.
Bolt Throw:	18mm.
Rod:	7mm Zinc-Plated Steel, 40mm thread length.
Finish:	Satin Chrome.
Brackets:	Not supplied.





## Dimensions



## Ordering Codes

6201-6-12	Flush Bolt Flat 12" Rod Satin Chrome Finish
6201-7-12	Flush Bolt Radius 12" Rod Satin Chrome Finish
6201-01	Flush Bolt Guide

# MS<sup>®</sup> 4000

Armoured-Parts, Trim Strikes and Box Strikes



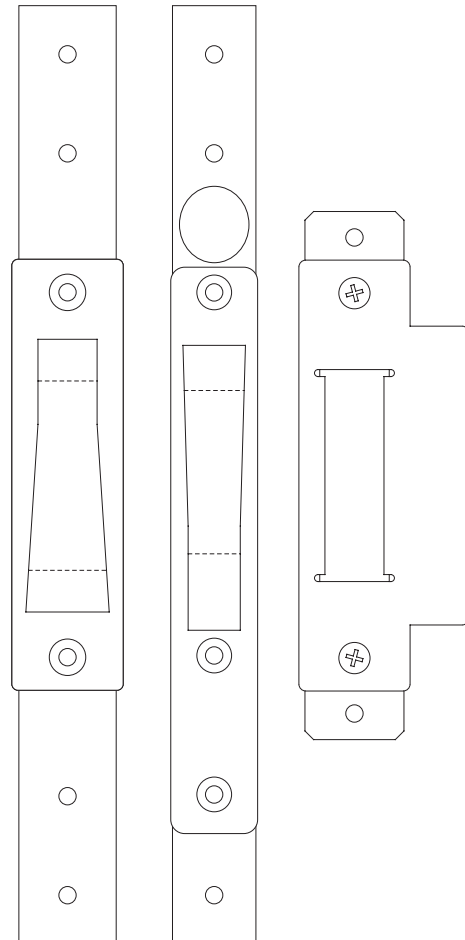
ASSA ABLOY

## Function

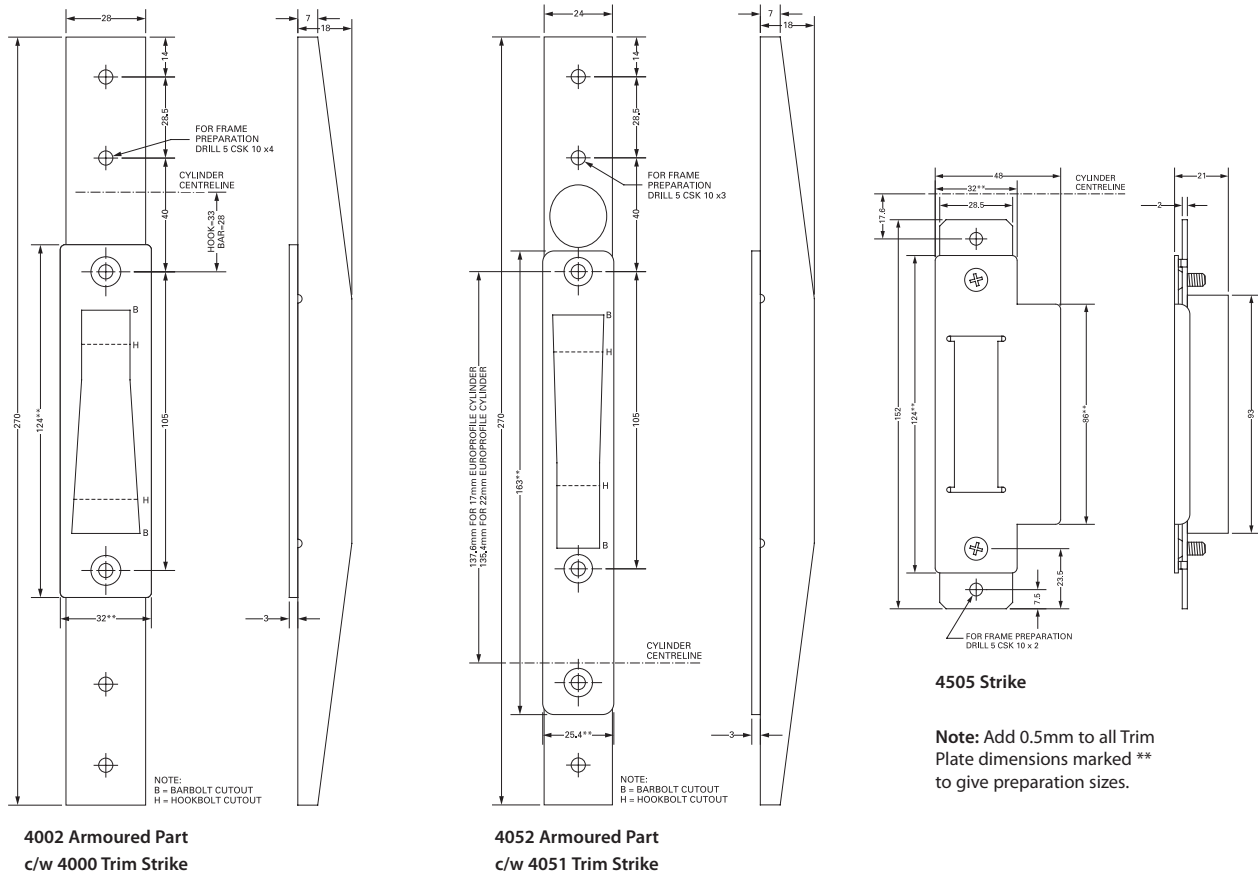
**Armoured Parts, Trim Strikes & Box Strikes for MS<sup>®</sup>1850, MS<sup>®</sup>2200 Deadlocks and MS<sup>®</sup>+1890 Latch/Deadlock.** Designed to increase the protection to the lock's bolt in the locked position, and to prevent the forced method of entry known as 'jamb peeling'. The Armoured Part fits within the aluminium or other hollow jamb section and is available with flat or radius Trim Strikes (single or double doors) for use with all MS<sup>®</sup> Deadlocks, including hookbolt versions for sliding doors.

## Specifications

Dimensions:	270mm x 32mm x 21mm (4002)
(including Trim Strike)	270mm x 25.4mm x 21mm (4052)
	152mm x 48mm x 22mm (4505).
Material:	Steel with corrosion-resistant plating.
Trim Strike:	Aluminium, supplied.
Box Strike:	For use with MS <sup>®</sup> +1890. Strike stainless steel, box mild steel.



## Dimensions



## Ordering Codes

4002-010	Armoured Part for use with MS®1850 Barbolt
4002-050	Armoured Part for use with MS®1850 Hookbolt
4000-011-628	Trim Strike SAA Flat for use with MS®1850SNSI Barbolt
4000-012-628	Trim Strike SAA Flat for use with MS®1850S Barbolt
4000-031-628	Trim Strike SAA Flat for use with MS®1850SNSI Hookbolt
4000-032-628	Trim Strike SAA Flat for use with MS®1850S Hookbolt
4000-111-628	Trim Strike SAA Radius for use with MS®1850SNSI Barbolt
4000-112-628	Trim Strike SAA Radius for use with MS®1850S Barbolt
4000-131-628	Trim Strike SAA Radius for use with MS®1850SNSI Hookbolt
4000-132-628	Trim Strike SAA Radius for use with MS®1850S Hookbolt
4052-010	Armoured Part for use with MS®2200 Barbolt
4052-050	Armoured Part for use with MS®2200 Hookbolt
4051-012-628	Trim Strike SAA Flat for use with MS®2200 Barbolt
4051-032-628	Trim Strike SAA Flat for use with MS®2200 Hookbolt
4051-112-628	Trim Strike SAA Radius for use with MS®2200 Barbolt
4051-132-628	Trim Strike SAA Radius for use with MS®2200 Hookbolt
4505-01-630	Box Strike Flat SS for use with MS®+1890 Latch/Deadlock
4505-02-630	Box Strike Radius SS for use with MS®+1890 Latch/Deadlock
4505-17-630	Box Strike Flat SS Extended 101.6mm (4.0") Jamb for use with MS®+1890 Latch/Deadlock
4505-21-630	Box Strike Flat SS Extended 114.3mm (4.5") Jamb for use with MS®+1890 Latch/Deadlock

**Note:** 628 denotes Satin Anodised and 630 Stainless Steel (SS) finish.  
Trim Strikes are available in Bronze (313) and Black (335) finishes by special order.

## Related Hardware

MS®1850S Maximum Security Deadlock (p4) ~ MS®1850SNSI Maximum Security Deadlock (p6)

MS®2200 Maximum Security Deadlock (p8) ~ MS®+1890 Latch/Deadlock (p20)

# 8360 and 8460/8461

## Ramp Jaw Strikes

**A T**



**ASSA ABLOY**

### Function

Designed to work in conjunction with the 900 Series Mortice Exit Devices and the 4500/4700/4900 Series Deadlatches. Offers a range of flat lip extensions to cater for a variety of jamb widths, also radius and thermally broken sections. The 8460 is suitable for use in aluminium doors with the 940 Series Exit Device and the 4910 Series deadlatch. The 8461 is suitable for use in aluminium doors with the 4510/4710/4750 deadlatches. The 8360 is suitable for use in timber doors with the 930 Series Exit Devices and the 4720ANSI/4920ANSI Series deadlatches.

**Note:** The 8460-07-630 Strike cannot be used with the 930 or 940 Series Exit Devices.

### Specifications

Dimensions:	See opposite.
Strike Plate:	Stainless steel.
Mounting Box (8460 only):	Non-ferrous casting.
Finish:	Brushed stainless steel.

#### To conform with BS EN 1125: 1997+A1:2001:

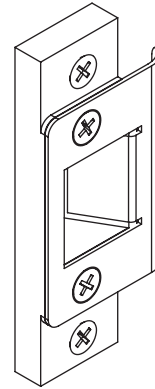
The 8460 strikes **must** be used with the 940 Series Exit Device (flat version included as standard with product).

#### To conform with BS EN 179: 1998+A1:2001:

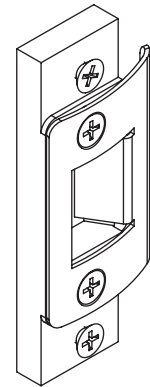
The 8460/8461 strike **must** be used with the: 4710/4910 Heavy Duty Deadlatch and 4591 Push Paddle Handle 4750 Heavy Duty Deadlatch and 4596 Push Paddle Handle.

#### To conform with BS EN 179: 1998+A1:2001:

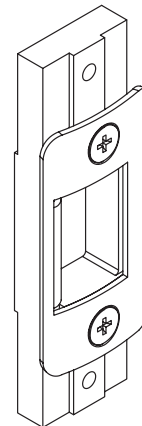
The 8360 strike **must** be used with the: 4720ANSI/4920ANSI Deadlatch and 4591 Push Paddle Handle.



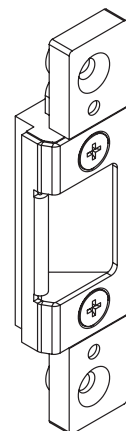
8460-01-630



8460-02-630

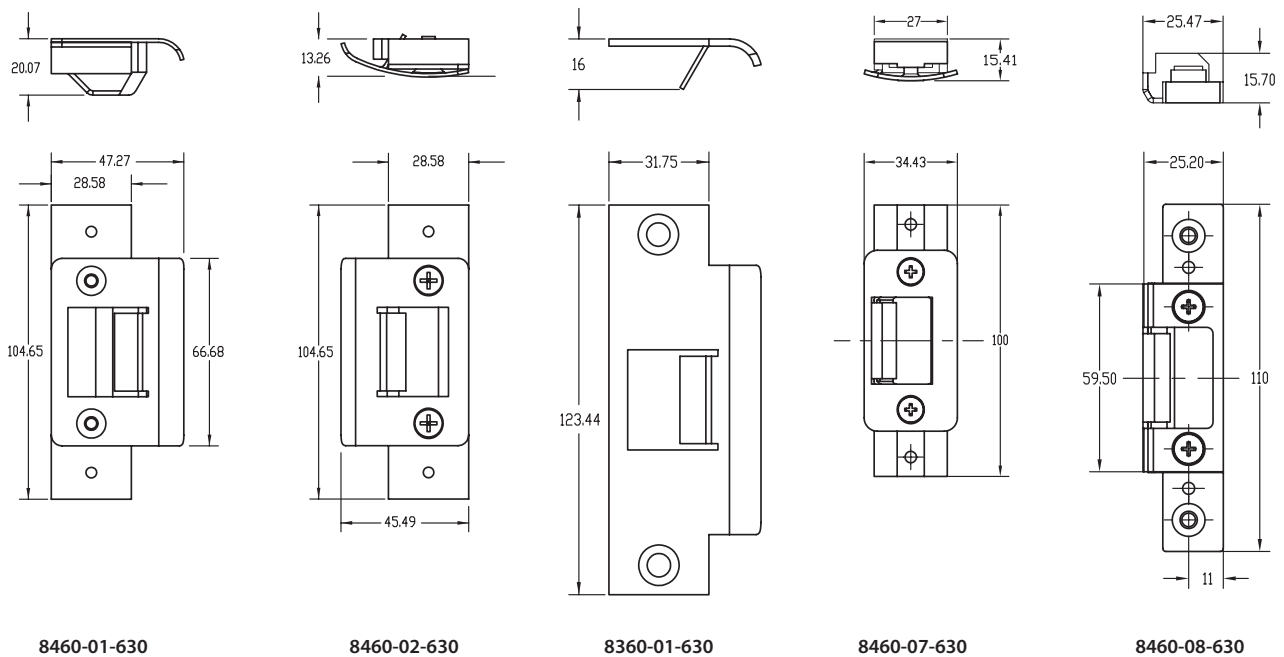


8460-07-630



8460-08-630

## Dimensions



## Ordering Codes

- 8360-01-630** Ramp Jaw Latch Strike, Flat, Stainless Steel for use with 4720ANSI/4920ANSI Deadlatch (Single and Double Doors).
- 8460-01-630** Ramp Jaw Latch Strike, Flat, Stainless Steel for use with 4910 Deadlatch (Single door frame section 45mm - 52mm).
- 8460-02-630** Ramp Jaw Latch Strike, Radius, Stainless Steel for use with 4910 Deadlatch (Double doors with radius section).
- 8460-17-630** Ramp Jaw Latch Strike, Flat, Extended, Stainless Steel for use with 4910 Deadlatch (to suit central mounting in flat frame section, 101.6mm (4") wide jambs).
- 8460-21-630** Ramp Jaw Latch Strike, Flat, Extended, Stainless Steel for use with 4910 Deadlatch (to suit central mounting in flat frame section, 114.3mm (4 1/2") wide jambs).
- 8461-01-630** Ramp Jaw Latch Strike, Flat, Stainless Steel for use with 4510/4710 Deadlatch (Single door frame section 45mm - 52mm).
- 8461-02-630** Ramp Jaw Latch Strike, Radius, Stainless Steel for use with 4510/4710 Deadlatch (Double doors with radius section).
- 8461-17-630** Ramp Jaw Latch Strike, Flat, Extended, Stainless Steel for use with 4510/4710 Deadlatch (to suit central mounting in flat frame section, 101.6mm (4") wide jambs).
- 8461-21-630** Ramp Jaw Latch Strike, Flat, Extended, Stainless Steel for use with 4510/4710 Deadlatch (to suit central mounting in flat frame section, 114.3mm (4 1/2") wide jambs).
- 8460-07-630** Radius Strike for rebated doors.
- 8460-08-630** Strike for thermally broken doors.

## Related Hardware

930 Series Exit Device ~ 940 Series Exit Device ~ 4710 Heavy Duty Deadlatch (p14)

4910 Heavy Duty Deadlatch ~ 4720ANSI Deadlatch (p16) ~ 4920ANSI Deadlatch

4750 Deadlatch (p18) ~ 4591 Push Paddle Handle (p26) ~ 4596 Push Paddle Handle (p28)

# 4015 and 4022

Threshold Bolts for MS<sup>®</sup>1850 and MS<sup>®</sup>2200 Deadlocks

**A S**



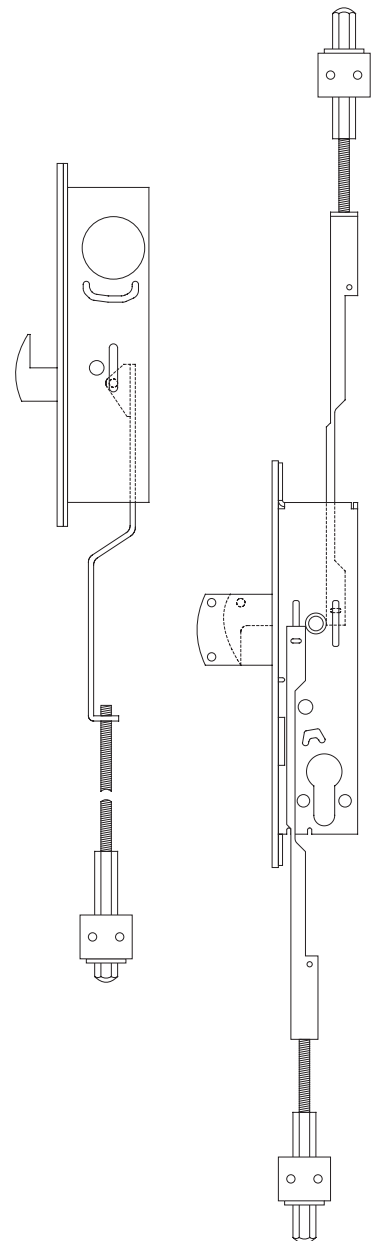
**ASSA ABLOY**

## Function

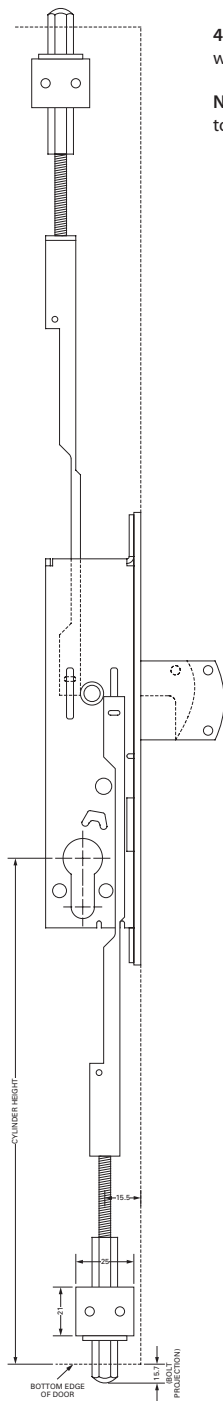
To provide a second locking point to the threshold, the 4015 can be added to any version of the MS<sup>®</sup>1850 Series Deadlock. The rod is threaded along its entire length and can be cut to suit. The 4022 is designed to give second or third point locking to any MS<sup>®</sup>2200 Series Deadlock; a second 4022 is simply added to provide the third locking point.

## Specifications

Cylinder Height:	1333mm maximum (4015) 1300mm maximum (4022 2 & 3-point).
Door Height:	2600mm maximum (4022 3-point).
Material:	Mild Steel.
Thread:	1/4" Whitworth.
Operation:	Turn of key; rods move as deadbolt pivots.

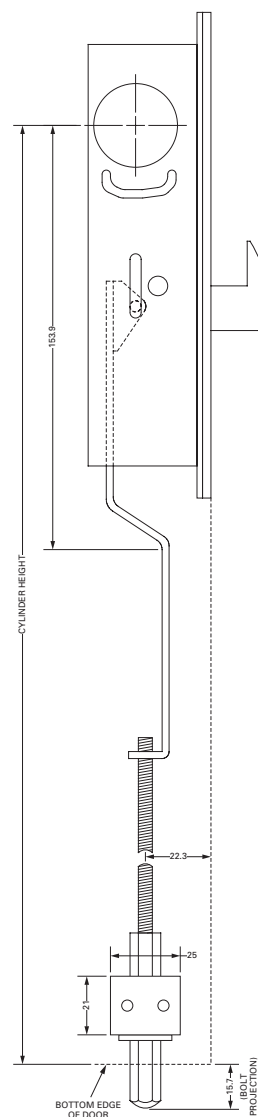


## Dimensions



**4022-18** for use with MS<sup>2</sup>200 Deadlock.

**Note:** Two required for top and bottom locking.



**4015-18** for use with MS<sup>1</sup>850 Deadlock.

## Ordering Codes

**4015-18** Rod & Bolt Kit for MS<sup>1</sup>850 Deadlock for use with swing door

**4022-18** Rod & Bolt Kit for MS<sup>2</sup>200 Deadlock for use with swing door

## Related Hardware

MS<sup>1</sup>850S Maximum Security Deadlock (p4) ~ MS<sup>1</sup>850NSI Maximum Security Deadlock (p6)

MS<sup>2</sup>200 Maximum Security Deadlock (p8)

# 4189 and 4190

Flush Handle Sets for MS®1848 Deadlock

**A S**



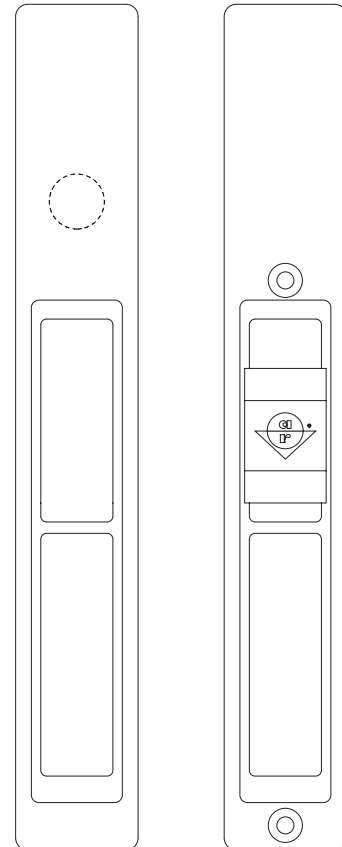
**ASSA ABLOY**

## Function

Both lockset handles are operated from inside by a simple up or down movement of a slide button, set flush in the recessed finger pull. With no handles projecting doors are able to be stacked flush. The lock mechanism to match is the field proven MS®1848 deadlock featuring the adjustable self protecting bolt (order separately).

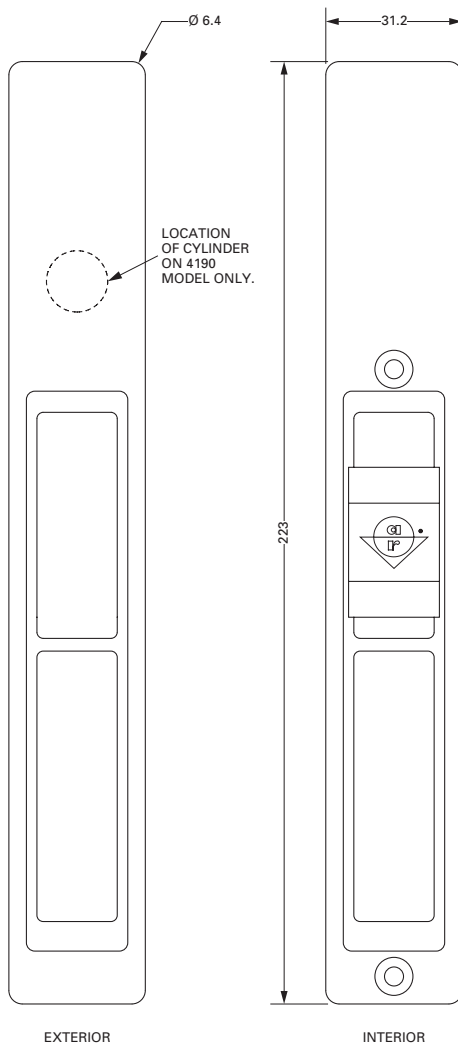
## Specifications

- Overall Handle Size: 223mm (8.78") x 31.2mm (1.23").
- Backset: Variable; minimum 15.9mm (0.625"), maximum 32.5mm (1.28"). (Measurement is taken from face of lock to escutcheon and cylinder centre line.)
- Stile Thickness: 25.4mm (1") to 34.9mm (1 3/8") standard. Available on special order for stiles 34.9mm (1 3/8") thick or greater. See table opposite.
- Stile Depth: Minimum clear depth is backset plus 14.3mm (9/16").
- Material: Zinc alloy finished in Ritecoat 119 (Black), 121 (Bronze) or 130 (Silver).
- Internal Operation: Via vertical slide button.
- External Operation: 4190 model - 5 pin 8346 Cylinder  
4189 model - no external operation.





## Dimensions



Code	Stile Thickness
01	1" (25.4mm) - 1 3/8" (34.9mm)
02	1 7/16" (36.5mm) - 1 5/8" (41.3mm)
03	1 11/16" (42.9mm) - 2" (50.8mm)

**Note:** Code above refers to third number in product code, e.g. 4189-00-01-119. Replace '01' with '02' or '03' according to stile thickness being used.

## Ordering Codes

### Handle Sets

4189-00-01-119	Handle Set, Ritecoat Black finish, no cylinder
4189-00-01-121	Handle Set, Ritecoat Bronze finish, no cylinder
4189-00-01-130	Handle Set, Ritecoat Silver finish, no cylinder
4190-00-01-119	Handle Set, Ritecoat Black finish, c/w cylinder
4190-00-01-121	Handle Set, Ritecoat Bronze finish, c/w cylinder
4190-00-01-130	Handle Set, Ritecoat Silver finish, c/w cylinder

**Note:** Above table lists most popular variations.

### Matching Lockcases

1848-29	MS®1848 lockbody, zinc plated c/w stainless steel bolt (radius ends)
1848-29-01	MS®1848 lockbody, stainless steel c/w matching bolt/adjustment screw (radius ends)
1848-10	MS®1848 lockbody, zinc plated c/w stainless steel bolt (square ends)
1848-10-01	MS®1848 lockbody, stainless steel c/w matching bolt/adjustment screw (square ends)

## Related Hardware

MS®1848 Deadlock and 8346 Cylinder (p10)

# 4104 and 4075

## Mounting Bridges and Installation Tool



ASSA ABLOY

### Function

The 4104 Mounting Bridges are for mounting MS® Deadlocks and Deadlatches in aluminium hollow door sections. Two screws enable a secure fix into the back wall of the section with the lockcase then mounting directly onto the bridge. Two bridges required per lockcase (supplied in pairs).

The 4075 Installation Tool securely holds the bridge whilst fitting and fixing into the narrow confines of a door cutout.

### Specifications

#### 4104 Mounting Bridges

Dimensions:

40-50mm x 32mm x 13.5mm.

Material:

Mild Steel.

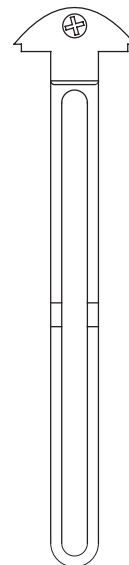
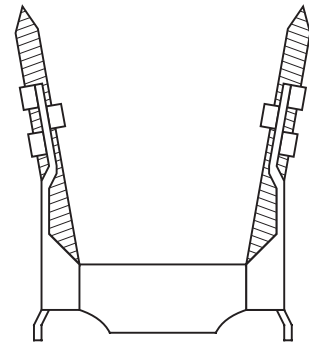
#### 4075 Installation Tool

Dimensions:

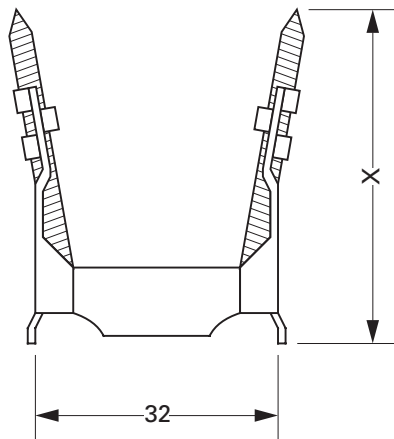
33mm x 152.5mm x 29.5mm.

Material:

Plastic.

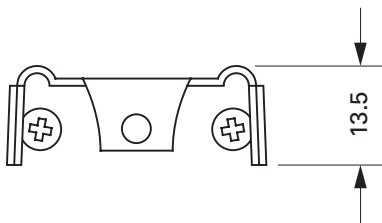


## Dimensions

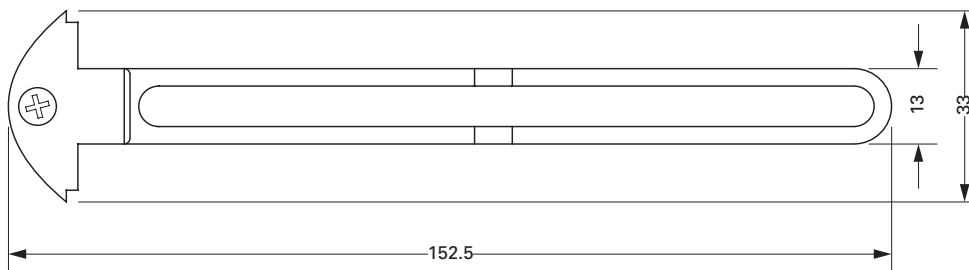


4104-01 Mounting Bridge

DIMENSION 'X':  
MINIMUM = 40mm  
MAXIMUM = 50mm



4075 Installation Tool



## Ordering Codes

4104-01	Radius Mounting Clips In Pairs
4104-12	Flat Mounting Clips In Pairs
4075	Mounting Tool For Lock Mounting Bridges On Swing Door

## Related Hardware

MS<sup>®</sup>1850S Maximum Security Deadlock (p4) ~ MS<sup>®</sup>2200 Maximum Security Deadlock (p8)

MS<sup>®</sup>+1890 Latch/Deadlock (p20) ~ 4710 Heavy Duty Deadlatch (p14) ~ 4750 Deadlatch (p18)



Council for Aluminium  
in Building  
Member



Assessed to ISO 9001:2000  
Certificate No: FS38107



**ASSA ABLOY**

**open, closed, locked**

ASSA ABLOY is the global leader in door opening solutions, dedicated to satisfying end-user needs for security, safety and convenience.

Adams Rite Europe Limited, Moreton Industrial Estate, London Road, Swanley, Kent BR8 8TZ, England  
Customer Services: Telephone +44 (0)1322 668024 Fax: +44 (0)1322 660996 Email: sales@adamsrite.co.uk  
Other enquiries: +44 (0)1322 669211 Fax: +44 (0)1322 613230 Email: info@adamsrite.co.uk Web site: www.adamsrite.co.uk  
Issue 7 January 2008 ©Adams Rite Europe Limited. All dimensions are nominal and subject to tolerances.