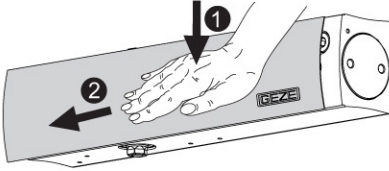


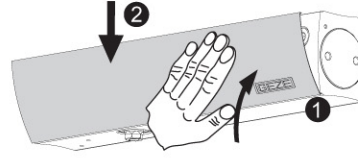
GEZE INSTALLATION OPTIONS

RECOMMENDED SETTINGS FOR GEZE DOOR CLOSERS

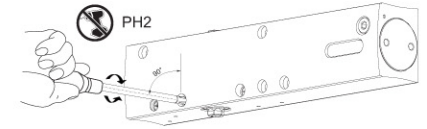
► Remove slide plate



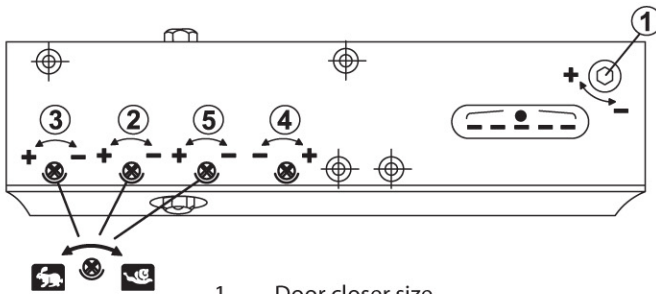
► Clip slide plate open



► Set

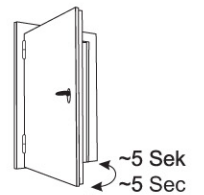


GEZE TS 5000



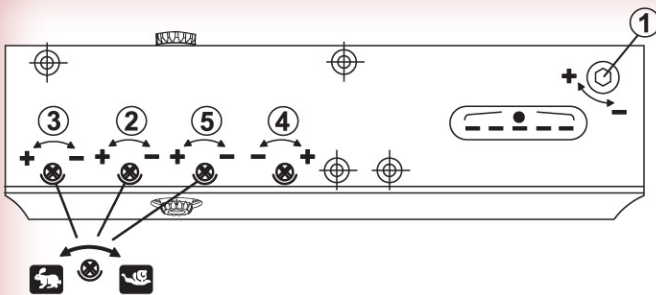
- 1 Door closer size
- 2 Closing speed
- 3 Latching action
- 4 Back check
- 5 Delayed closing action (only with TS 5000 S)

Display door closer size	Leaf width [mm]
2	up to 850
3	850 - 950
4	950 - 1100
5	1100 - 1250
6	1250 - 1400



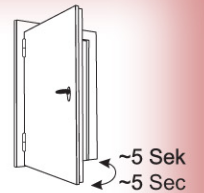
Light-running door must be closed completely by the closer!

GEZE TS 4000



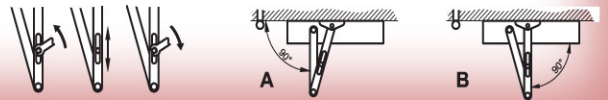
- 1 Door closer size
- 2 Closing speed
- 3 Latching action (only with TS 4000 S)
- 4 Back check
- 5 Delayed closing action (only with TS 4000 S)

Display door closer size	Leaf width [mm]
1	up to 750
2	750 - 850
3	850 - 950
4	950 - 1100
5	1100 - 1250
6	1250 - 1400



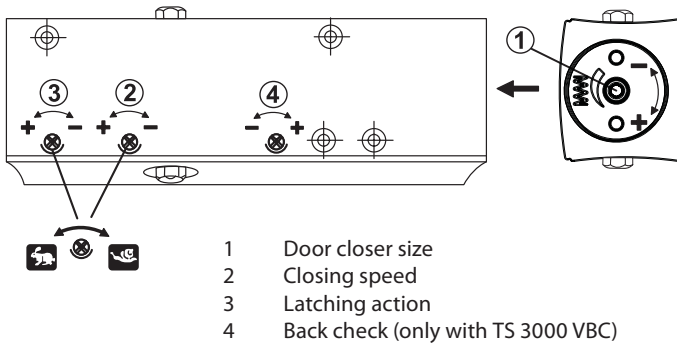
Light-running door must be closed completely by the closer!

Setting latching action	with latching action	without latching action
-------------------------	----------------------	-------------------------



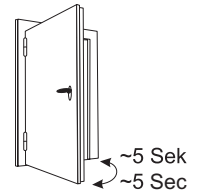
GEZE INSTALLATION OPTIONS

GEZE TS 3000 V



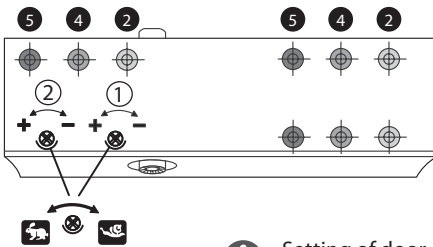
- 1 Door closer size
- 2 Closing speed
- 3 Latching action
- 4 Back check (only with TS 3000 VBC)

Setting door closer size	Leaf width [mm]
Buffer -	up to 750
2.5 revolutions	750 - 850
5 revolutions	850 - 950
Buffer +	950 - 1100



Light-running door must be closed completely by the closer!

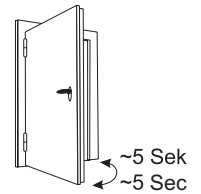
GEZE TS 2000 V



! Setting of door closer size through offset installation

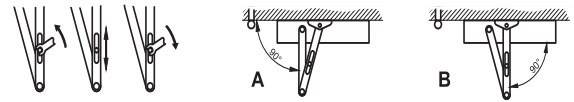
- 1 Closing speed
- 2 Back check (only with TS 2000 VBC otherwise using link arms)

Setting door closer size	Leaf width [mm]
2 Size 2	750 - 850
4 Size 4	850 - 1100
5 Size 5	1100 - 1250

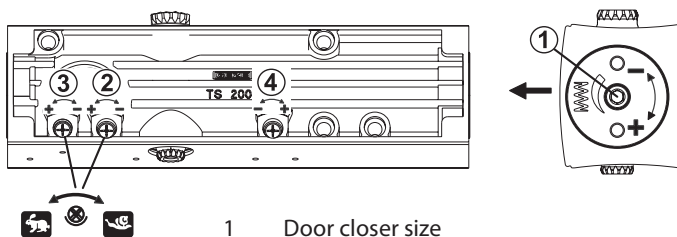


Light-running door must be closed completely by the closer!

Setting latching action	with latching action	without latching action
-------------------------	----------------------	-------------------------

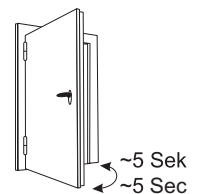


GEZE TS 2000 NV



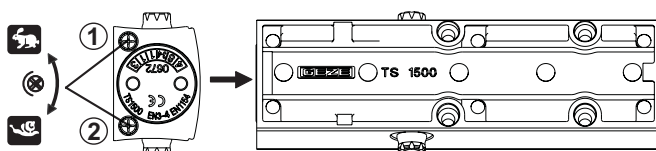
- 1 Door closer size
- 2 Closing speed
- 3 Latching action
- 4 Back check (only with TS 2000 NV BC)

Setting door closer size	Leaf width [mm]
Buffer -	up to 850
4 revolutions	850 - 950
Buffer +	up to 1100



Light-running door must be closed completely by the closer!

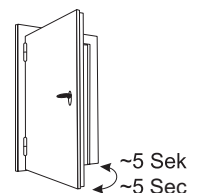
GEZE TS 1500



! Setting of door closer size by turning the top of the link arm

- 1 Closing speed
- 2 Latching action

Setting door closer size	Leaf width [mm]
A	850 - 950
B	950 - 1100



Light-running door must be closed completely by the closer!

GEZE INSTALLATION OPTIONS

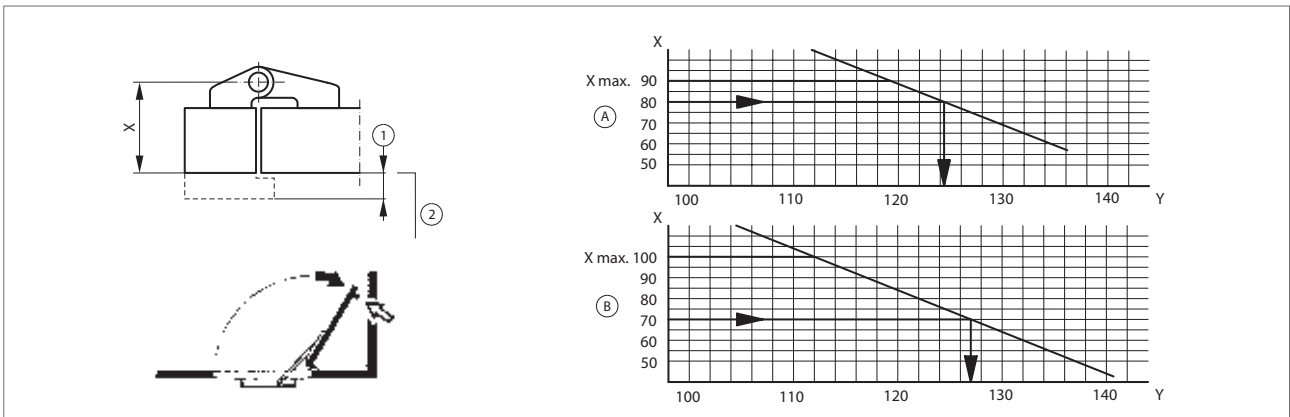
General product information about GEZE overhead door closers

Door closer sizes

acc. to EN 1154	Door leaf width in mm
Size 1	up to 750
Size 2	from 750 to 850
Size 3	from 850 to 950
Size 4	from 950 to 1100
Size 5	from 1100 to 1250
Size 6	from 1250 to 1400
Size 7	from 1400 to 1600

Notes for door closers with guide rail for installation on the opposite hinge side

Note: The max. door opening angle must be limited by a door stopper or by use of the GEZE T-Stop guide rail!



1 = Overlap max. 15 mm

2 = Flush-mounted door

X = Distance pivot point to contact area of guide rail

X dimension max. = 100 mm (double-leaf) / 90 mm (single-leaf)

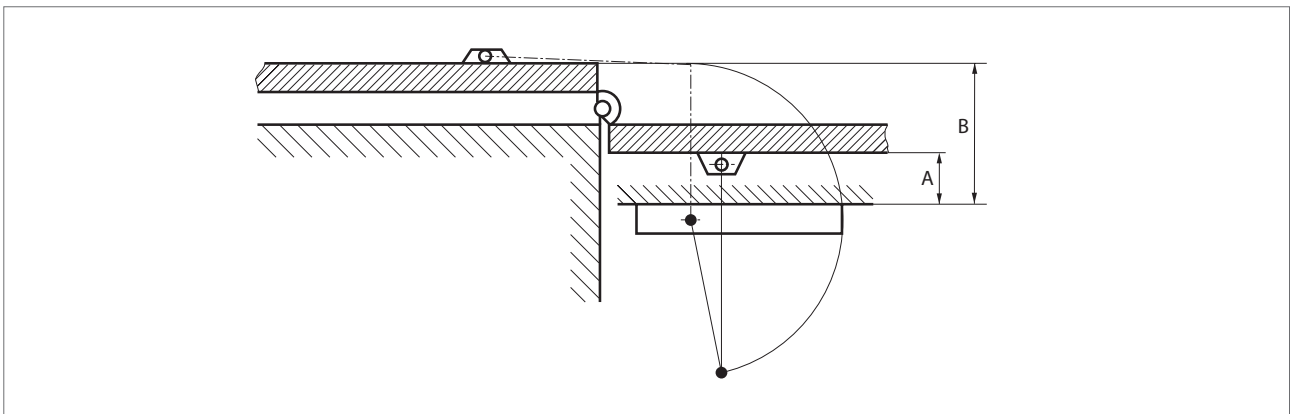
A = Single-leaf systems

B = Double-leaf systems

Y = Door opening angle

Special mounting dimensions are used when the X dimension is wider – on request.

Notes for door closers with link arm for installation on the opposite hinge side



A = Reveal depth

B = Reveal depth + 2 door size + 2 pivot point distance

Door opening up to 180° is only possible if the following dimensions are not exceeded:

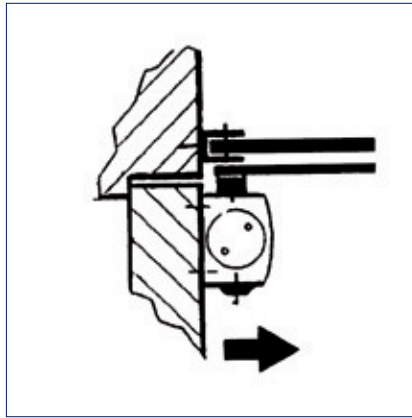
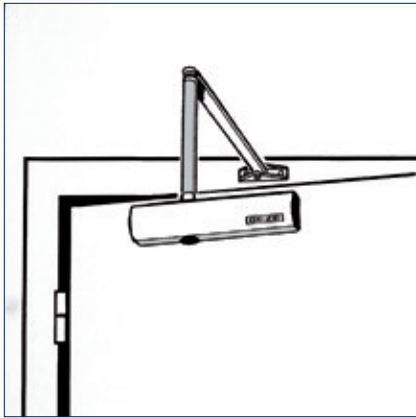
A = 70 mm and B = 200 mm

GEZE INSTALLATION OPTIONS

GEZE TS 4000 / S / E / EFS

Door leaf installation hinge side

TS 4000 Door leaf installation/hinge side



Area of application

- Closing force 1-6 according to EN 1154, leaf width up to 1400 mm
- Can be used for right and left hung doors without conversion
- For fire protection doors
- GEZE TS 4000 EN 5-7 for leaf widths up to 1600 mm
- An interruption button is mandatory for free swing door closers in Germany.

Order information

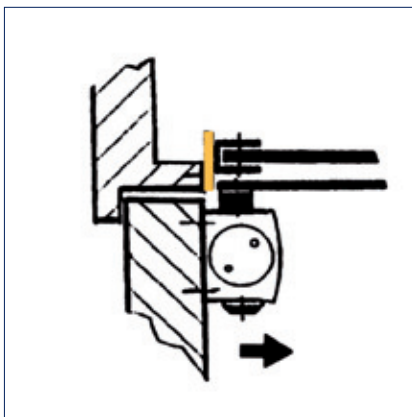
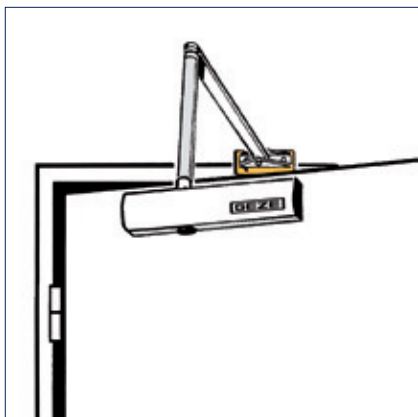
Description	Version	ID no.
GEZE TS 4000 Closer Size EN 1-6 with back check (without link arms)	silver	102789
GEZE TS 4000 S Closer Size EN 1-6 with delayed closing action and back check (without link arms)	silver	107745
GEZE TS 4000 Closer Size EN 5-7 with back check (without link arms)	silver	102837
GEZE TS 4000 E Closer Closing force EN 1-6, door leaf installation hinge side, with electric hold-open device and connector box (without link arm)	silver	105211
GEZE TS 4000 EFS Closer Size EN 1-6, door leaf installation hinge side, with electric hold-open device for free swing function and connector box (without free swing arms)	silver	105211
Link arms TS 4000/2000 Standard	silver	102421
Link arms TS 4000/2000 with mechanical hold-open device which can be switched on and off	silver	102445
Link arms TS 4000/2000 with mechanical hold-open device	silver	102454
Link arms TS 4000 EFS/RFS with free swing function	silver	106460
Zubehör		
Mounting plate door closer for TS 5000/TS 4000 with hole pattern in accordance with DIN EN 1154 Supplement 1	silver	049185
Mounting plate door closer for TS 5000 EFS/RFS/E-HY/TS 4000 E with hole pattern in accordance with DIN EN 1154 Supplement 1	silver	059107
GEZE interruption button flush-mounted version for the manual release of electrically controlled hold-open mechanisms	alpine white	116266

Note: See our system catalogues for further accessories and colour variants.

GEZE TS 4000 / S / E / EFS

Door leaf installation hinge side with mounting plate for link arms on slim frames

TS 4000 Door leaf installation/hinge side MP slim frame



Area of application

- Closing force 1-6 according to EN 1154, leaf width up to 1400 mm
- Can be used for right and left hung doors without conversion
- For fire protection doors
- GEZE TS 4000 EN 5-7 for leaf widths up to 1600 mm
- An interruption button is mandatory for free swing door closers in Germany.

Order information

Description	Version	ID no.
GEZE TS 4000 Closer Size EN 1-6 with back check (without link arms)	silver	102789
GEZE TS 4000 S Closer Size EN 1-6 with delayed closing action and back check (without link arms)	silver	107745
GEZE TS 4000 Closer Size EN 5-7 with back check (without link arms)	silver	102837
GEZE TS 4000 E Closer Closing force EN 1-6, door leaf installation opposite hinge side, with electric hold-open device and connector box (without link arm)	silver	105211
GEZE TS 4000 EFS Closer Size EN 1-6, door leaf installation hinge side, with electric hold-open device for free swing function and connector box (without free swing arms)	silver	105211
Link arms TS 4000/2000 Standard	silver	102421
Link arms TS 4000/2000 with mechanical hold-open device which can be switched on and off	silver	102445
Link arms TS 4000/2000 with mechanical hold-open device	silver	102454
Link arms TS 4000 EFS/RFS with free swing function	silver	106460
Zubehör		
Mounting plate link arms for TS 4000/TS 2000, with slim frames	silver	057109
Mounting plate door closer for TS 5000/TS 4000 with hole pattern in accordance with DIN EN 1154 Supplement 1	silver	049185
Mounting plate door closer for TS 5000 EFS/RFS/E-HY/TS 4000 E with hole pattern in accordance with DIN EN 1154 Supplement 1	silver	059107
GEZE interruption button flush-mounted version for the manual release of electrically controlled hold-open mechanisms	alpine white	116266

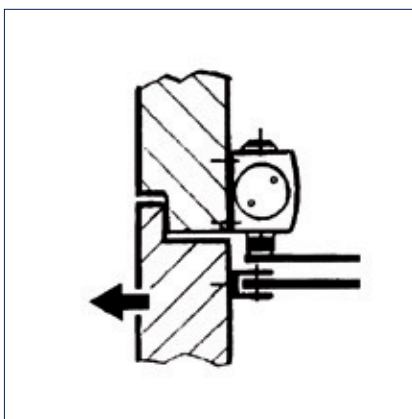
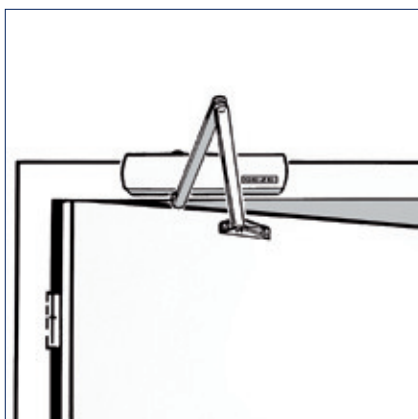
Note: See our system catalogues for further accessories and colour variants.

GEZE INSTALLATION OPTIONS

GEZE TS 4000 / E / EFS / R / RFS

Transom installation opposite hinge side

TS 4000 Transom installation/opposite hinge side



Area of application

- Closing force 1-6 according to EN 1154, leaf width up to 1400 mm
- Can be used for right and left hung doors without conversion
- GEZE TS 4000 EN 5-7 for leaf widths up to 1600 mm
- An interruption button is mandatory for free swing door closers in Germany.

Order information

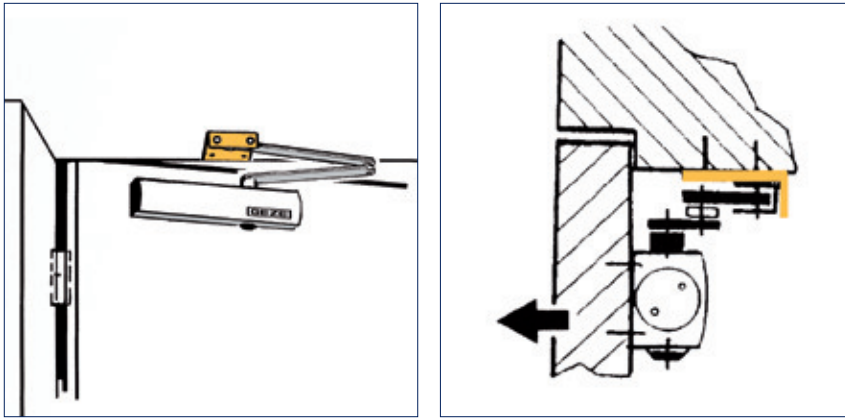
Description	Version	ID no.
GEZE TS 4000 Closer Size EN 1-6 with back check (without link arms)	silver	102789
GEZE TS 4000 Closer Size EN 5-7 with back check (without link arms)	silver	102837
GEZE TS 4000 E KM BG Closer Size EN 1-6, transom installation opposite hinge side, with electric hold-open device (without link arms)	silver	105213
GEZE TS 4000 EFS KM BG Closer Size EN 1-6, transom installation opposite hinge side, with electric hold-open device for free swing function (without free swing arms)	silver	105213
GEZE TS 4000 R KM BG Closer Size EN 1-6, transom installation opposite hinge side, with electric hold-open device and integrated smoke switch control unit (without link arms)	silver	105241
GEZE TS 4000 RFS KM BG Closer Size EN 1-6, transom installation opposite hinge side, with electric hold-open device for free swing function and integrated smoke switch control unit (without free swing arms)	silver	105241
Link arms TS 4000/2000 Standard	silver	102421
Link arms TS 4000/2000 with mechanical hold-open device which can be switched on and off	silver	102445
Link arms TS 4000/2000 with mechanical hold-open device	silver	102454
Link arms TS 4000 EFS/RFS with free swing function	silver	106460
Zubehör		
Mounting plate door closer for TS 5000/TS 4000 with hole pattern in accordance with DIN EN 1154 Supplement 1	silver	049185
Mounting plate door closer for TS 5000 EFS/RFS/E-HY/TS 4000 E with hole pattern in accordance with DIN EN 1154 Supplement 1	silver	059107
Mounting plate door closer for TS 5000 RFS KM/ TS 4000 R & R-IS with hole pattern in accordance with DIN EN 1154 Supplement 1	black	058808

Note: See our system catalogues for further accessories and colour variants.

GEZE TS 4000 / S

Door leaf installation opposite hinge side with PA bracket for parallel arm installation

TS 4000 Door leaf installation/opposite hinge side parallel arm installation



Area of application

- Closing force 1-6 according to EN 1154, leaf width up to 1400 mm
- Can be used for right and left hung doors without conversion
- GEZE TS 4000 EN 5-7 for leaf widths up to 1600 mm
- Note for rescue routes, restriction of passage height by approx. 30 mm
- For fire protection doors (door closer with mounting plate)

Order information

Description	Version	ID.No.
GEZE TS 4000 Closer Size EN 1-6 with back check (without link arms)	silver	102789
GEZE TS 4000 S Closer Size EN 1-6 with delayed closing action and back check (without link arms)	silver	107745
GEZE TS 4000 Closer Size EN 5-7 with back check (without link arms)	silver	102837
Link arms TS 4000/2000 Standard	silver	102421
Link arms TS 4000/2000 with mechanical hold-open device which can be switched on and off	silver	102445
Link arms TS 4000/2000 with mechanical hold-open device	silver	102454
Accessories		
Mounting plate link arms for TS 4000/TS 2000, for parallel arm installation	silver	053318
Mounting plate door closer for TS 5000/TS 4000 with hole pattern according to DIN EN 1154 Supplement 1	silver	049185

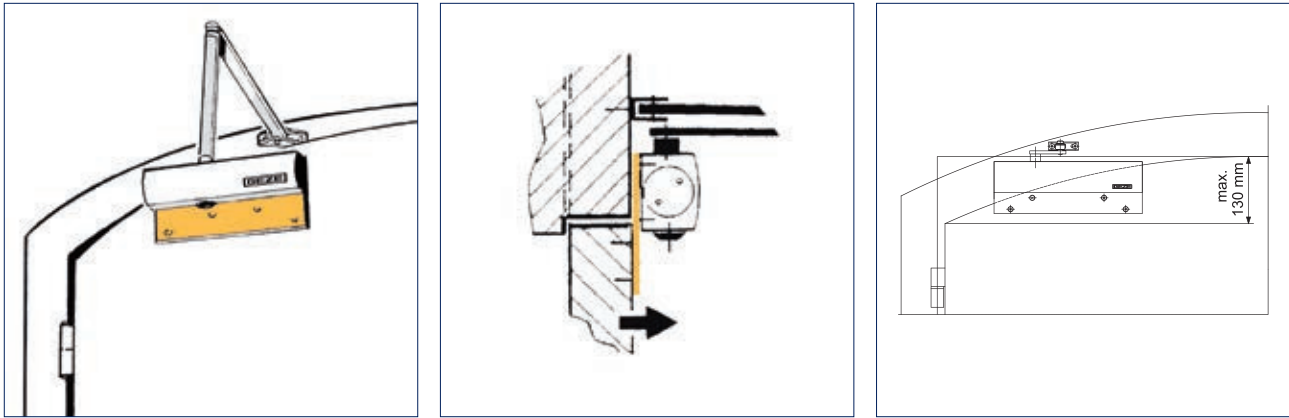
Note: See our system catalogues for further accessories and colour variants.

GEZE INSTALLATION OPTIONS

GEZE TS 4000 / S

Door leaf installation hinge side with mounting plate for segmental arch door

TS 4000 Door leaf installation/hinge side segmental arch



Area of application

- Closing force 1-6 according to EN 1154, leaf width up to 1400 mm
- Can be used for right and left hung doors without conversion
- GEZE TS 4000 EN 5-7 for leaf widths up to 1600 mm
- Semi/segmental arch doors, max. arch height approx. 130 mm

Order information

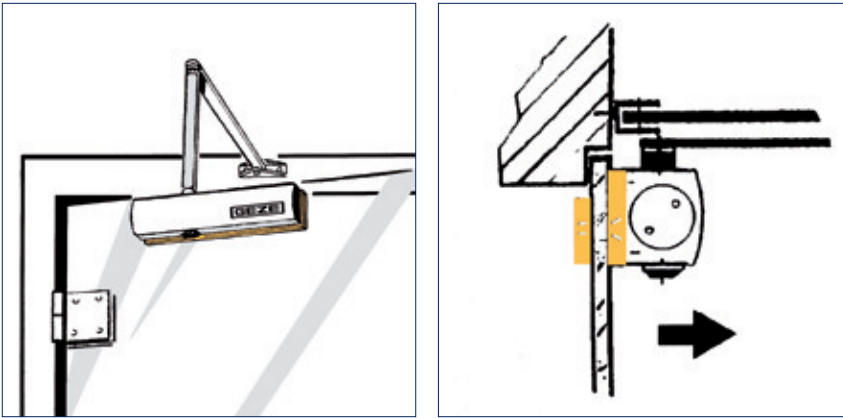
Description	Version	ID.No.
GEZE TS 4000 Closer Size EN 1-6 with back check (without link arms)	silver	102789
GEZE TS 4000 S Closer Size EN 1-6 with delayed closing action and back check (without link arms)	silver	107745
GEZE TS 4000 Closer Size EN 5-7 with back check (without link arms)	silver	102837
Link arms TS 4000/2000 Standard	silver	102421
Link arms TS 4000/2000 with mechanical hold-open device which can be switched on and off	silver	102445
Link arms TS 4000/2000 with mechanical hold-open device	silver	102454
Accessories		
Mounting plate segmental arch door for TS 4000, arch height max. 130 mm	silver	058782

Note: See our system catalogues for further accessories and colour variants.

GEZE TS 4000 / S

Door leaf installation hinge side with mounting and counterplate for all-glass door

TS 4000 Door leaf installation/hinge side counterplate glass



Area of application

- Closing force 1-6 according to EN 1154, leaf width up to 1400 mm
- Can be used for right and left hung doors without conversion
- GEZE TS 4000 EN 5-7 for leaf widths up to 1600 mm
- Mounting and counterplate, glass thickness 10 / 12 mm
- See the corresponding installation/assembly drawing for the preparation dimensions

Order information

Description	Version	ID no.
GEZE TS 4000 Closer Size EN 1-6 with back check (without link arms)	silver	102789
GEZE TS 4000 S Closer Size EN 1-6 with delayed closing action and back check (without link arms)	silver	107745
GEZE TS 4000 Closer Size EN 5-7 with back check (without link arms)	silver	102837
Link arms TS 4000/2000 Standard	silver	102421
Link arms TS 4000/2000 with mechanical hold-open device which can be switched on and off	silver	102445
Link arms TS 4000/2000 with mechanical hold-open device	silver	102454
Accessories		
Mounting and counterplate for all-glass door for TS 5000/TS 4000	silver	007923

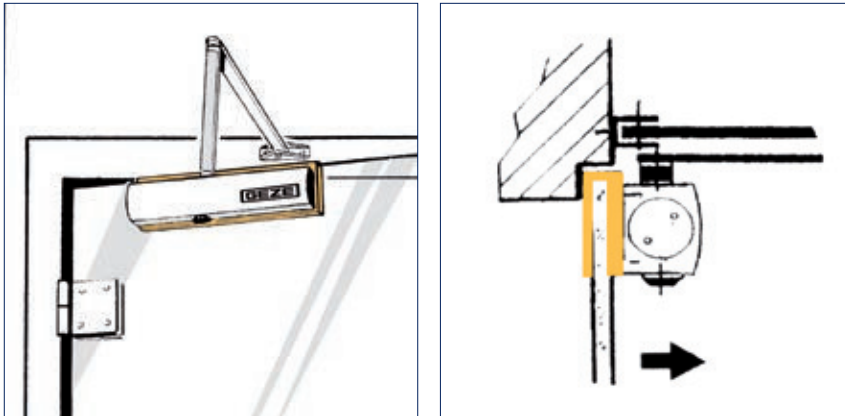
Note: See our system catalogues for further accessories and colour variants.

GEZE INSTALLATION OPTIONS

GEZE TS 4000 / S

Door leaf installation hinge side with clamping shoe for all-glass door

TS 4000 Door leaf installation/hinge side clamping shoe glass



Area of application

- Closing force 1-6 according to EN 1154, leaf width up to 1400 mm
- Can be used for right and left hung doors without conversion
- GEZE TS 4000 EN 5-7 for leaf widths up to 1600 mm
- Clamping shoe, glass thickness 8-10 mm

Order information

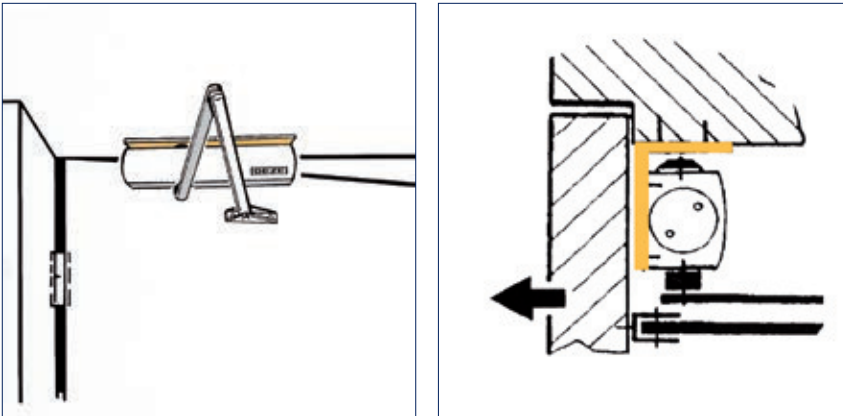
Description	Version	ID.No.
GEZE TS 4000 Closer Size EN 1-6 with back check (without link arms)	silver	102789
GEZE TS 4000 S Closer Size EN 1-6 with delayed closing action and back check (without link arms)	silver	107745
GEZE TS 4000 Closer Size EN 5-7 with back check (without link arms)	silver	102837
Link arms TS 4000/2000 Standard	silver	102421
Link arms TS 4000/2000 with mechanical hold-open device which can be switched on and off	silver	102445
Link arms TS 4000/2000 with mechanical hold-open device	silver	102454
Accessories		
Glass clamping shoe door closer for TS 5000/TS 4000	silver	057126

Note: See our system catalogues for further accessories and colour variants.

GEZE TS 4000 / S

Transom installation opposite hinge side with lintel casing bracket

TS 4000 Transom installation/opposite hinge side lintel casing bracket



Area of application

- Closing force 1-6 according to EN 1154, leaf width up to 1400 mm
- Can be used for right and left hung doors without conversion
- GEZE TS 4000 EN 5-7 for leaf widths up to 1600 mm
- Note for rescue routes, restriction of passage height by approx. 100 mm
- For fire protection doors with respective suitability certificate

Order information

Description	Version	ID.No.
GEZE TS 4000 Closer Size EN 1-6 with back check (without link arms)	silver	102789
GEZE TS 4000 S Closer Size EN 1-6 with delayed closing action and back check (without link arms)	silver	107745
GEZE TS 4000 Closer Size EN 5-7 with back check (without link arms)	silver	102837
Link arms TS 4000/2000 Standard	silver	102421
Link arms TS 4000/2000 with mechanical hold-open device which can be switched on and off	silver	102445
Link arms TS 4000/2000 with mechanical hold-open device	silver	102454
Accessories		
Lintel casing bracket transom installation opposite hinge side for TS 5000/TS 4000	silver	049240

Note: See our system catalogues for further accessories and colour variants.