

# ARCHITECTURAL HARDWARE

Panic exit hardware

*Securing people and assets with  
seamless access wherever they  
reside, work and thrive.*



**ALLEGION™**



## Designed to provide immediate escape, first time, every time.

When lives may depend on an exit device we feel we have a responsibility to design and test our products to exceed all current performance and safety standards, ensuring they will operate first time, every time.

The Briton 560, 570 and 580 Series has been designed to offer modular solutions to panic exit applications which require multi-point latching with a superior and refined aesthetic, designed and manufactured in Italy.

The Briton 376 Series is designed to provide immediate escape and still incorporates all the features and benefits expected from an exit device that is branded Briton.

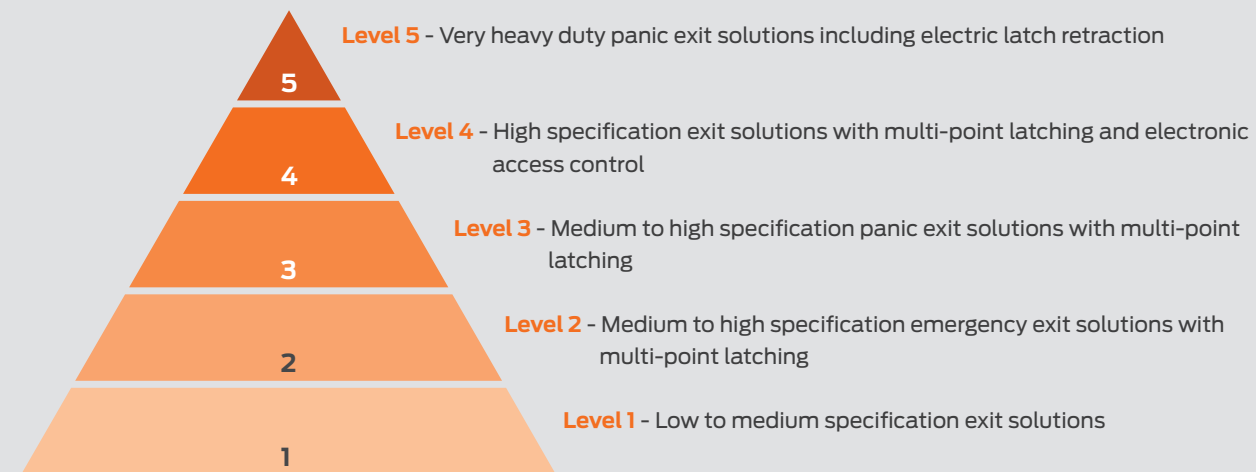
Our Von Duprin exit devices provide solutions for very heavy duty applications. The robust construction not only satisfies the requirements of EN 1125 for CE marking but has passed the stringent testing necessary for approval to ANSI A156.3 and UL listing.

The Briton and Von Duprin ranges, comprising the following variants, are fully compliant with EN 1125 or EN 179, are CE marked to the latest standards and come complete with a 5 year guarantee:

- Vertical panic bolts
- Reversible rim panic latches
- Mortice panic nightlatches
- Push pad vertical bolts
- Reversible push pad rim panic latches
- Push pad mortice nightlatches
- Motorised touch bar panic exit solutions

### Performance levels

Our multi-level approach to panic and emergency hardware ensures there is a solution for all projects, door applications and budgets.





## Types of exit hardware

Whilst there are several forms of exit device permitted, the basic premise remains the same in that the device must provide immediate escape with a single operation and not require a key.

- A** Touch bar device
- B** Push bar device
- C** Touch bar device used to operate a mortice nightlatch
- D** Push bar device with multi point latching
- E** Touch bar device with multi point latching
- F** Push pad device with vertical bolts
- G** Push pad device with rim latch
- H** Emergency exit solutions may also be achieved using escape locks and lever furniture. Please see the lockcase section of this catalogue for further information.



## Which system to choose

Having first determined whether the application requires a panic or emergency exit solution (see page 151) there are a number of additional considerations which will determine the most appropriate product.

These could include:

- Aesthetic considerations - push bar or touch bar (see opposite)
- Designed to satisfy EN standards
- Single point or multi-point latching for security (see below)
- Frequency of use may require a heavy duty solution
- Additional features such as hold-back or alarm connection
- Optional outside access device for external entry

## Single or multi-point security

Both panic and emergency exit solutions are available as rim devices providing a single central latch point or with latching points at the top and bottom of the door. The modular nature of the Briton 560 - 570 Series allows you to build a solution which is tailored specifically to the needs of your door providing up to 4 latching points on a single door.



## Panic or Emergency?

It is mandatory for all exit devices to comply with the latest revisions of EN 1125 or EN 179 and CE marking.

All Briton 560, 570, 580 and 376 Series exit devices have been tested and certified to prove compliance with the latest standards EN 1125 & EN 179 which govern the application of panic and emergency exit hardware, but which standard applies to which application, and what determines which one I need?

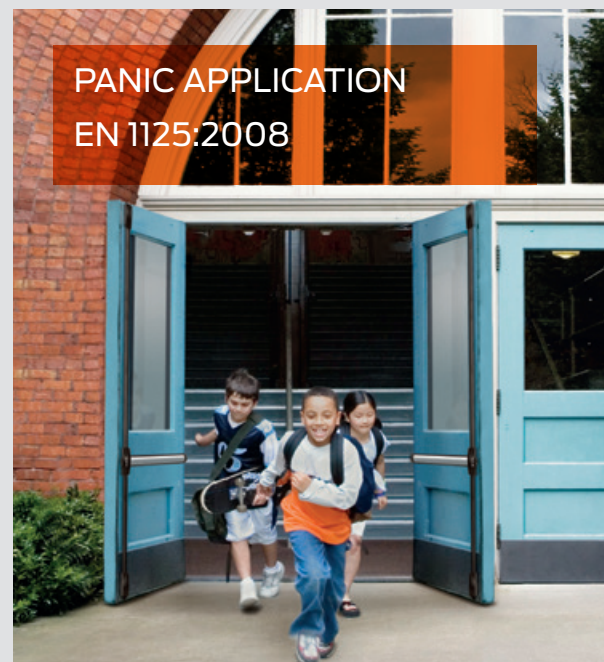
### Panic Applications - Conforming to EN 1125

A 'panic' application is where the exit door is used by members of the public and must provide "safe and effective escape through the doorway with minimum effort and without prior knowledge of operation".

Typical applications include:

- Shops
- Schools
- Hospitals
- Theatres and Cinemas

According to EN1125 the length of the panic exit device should be as near as possible the effective width of the opening and not less than 60% of the width of the opening.



### Emergency Applications - Conforming to EN 179

An 'emergency' application is where the exit door is in a low occupancy environment and will only be used by trained personnel, such as in a place of work never accessed by the public or people unfamiliar with the escape drill.

Typical applications include:

- Offices
- Private Flats & Apartments
- Store Rooms & Boiler Rooms

Products used in emergency applications require only a single point of operation e.g. pushpads or levers.



## EN 1125 & EN 179

Physical characteristics of type, operation and performance of hardware for use on panic and emergency exit doors is tested/assessed in accordance with EN 1125 and EN 179. This produces a 10 digit classification code which allows comparison between different products that conform to the standard. The testing and assessment criteria are the same for both standards, with the exception of digit 9 which identifies different types of operation between the 2 standards. This is shown in the example below.

	Scope	Grades
<b>3</b> 3	<b>Category of use</b> Defines frequency of use	Grade 3 - High frequency of use by public or others with little incentive to take care and with a high chance of misuse - eg. public doors
<b>7</b> 6-7	<b>Durability</b> Performance testing of the product through various cycle tests.	Grade 6 - 100,00 test cycles Grade 7 - 200,00 test cycles
<b>6</b> 5-7	<b>Door mass &amp; closing force</b> The mass of the door that the product can suitably be used on	Grade 5 - Doors up to 100kg Grade 6 - Doors up to 200kg Grade 7 - Doors over 200kg
<b>B</b> 0/A/B	<b>Suitability for fire/smoke doors</b> Suitability for use on fire/smoke door assemblies having successfully completed a fire test to EN 1634.	Grade 0 - Not suitable for fire/smoke door assemblies Grade A- Suitable for smoke door assemblies Grade B - Suitable for fire/smoke door assemblies
<b>1</b> 1	<b>Safety</b> Safety category for the product type	Grade 1 - All panic and emergency exit devices have a critical safety function. Only Grade 1 is identified.
<b>3</b> 3-4	<b>Corrosion resistance</b> Level of corrosion resistance to EN 1670 Neutral Salt Spray test and operation of the product at extreme temperatures	Grade 3 - High resistance 96 hour salt spray at -20 °C to +80 °C Grade 4 - Very high resistance 240 hours salt spray at -20 °C to +80 °C
<b>2</b> 2-5	<b>Security</b> Tests the ability to release under side load	Grade 2 - Up to 1000N (EN 1125 & EN 179) Grade 3 - Up to 2000N (EN 179 only) Grade 4 - Up to 3000N (EN 179 only) Grade 5 - Up to 5000N (EN 179 only)
<b>2</b> 1-2	<b>Projection of device</b> Classifies how far the operating mechanism projects from the door face	Class 1 - Projection up to 150mm Class 2 - Projection up to 100mm
<b>A</b> A/B	<b>Type of operation</b> Defines the type of operation Note: EN 1125 and EN 179 have specific operating types	EN 1125 Type A - 'push bar' operation Type B - 'touch bar' operation EN 179 Type A - 'lever handle' operation Type B - 'push pad' operation
<b>A</b> A-C	<b>Field of door application</b> Configuration of doors which the unit will satisfy	Class A - Single/double door, active or inactive leaf Class B - Single door only Class C - Double door only, inactive leaf only Class D - Single door, inward opening (EN 179 only)



## CE

It is mandatory for manufacturers to mark all panic and emergency exit devices with the new CE classification to prove compliance with the latest standards.

To be sure exit hardware meets the CE mark criteria it should meet all of the requirements listed below:

1. - CE certificates are readily available for inspection.
2. - Products are regularly tested within an accredited testing facility as part of an ongoing audit test programme.
3. - Products are manufactured on a production line that has been inspected and accredited under FPC (Factory Process Control) conditions, a further requirement of the CE marking process. This ensures that correctly specified materials and manufacturing methods are consistently employed.
4. A Declaration of Performance is available providing information on the performance of the product.



## Testing and CE Marking

Rigorous testing is continually being carried out on the Briton range of exit hardware providing peace of mind for specifiers, distributors, installers and users.

### Low operating force

Repeatedly tested to operate at 50% lower than the standard requirement, ensuring that the door can be operated with minimum force, for example by small children, the elderly and people with special needs.

Two tests are undertaken. The first is to operate the door with a maximum force of 80 Newtons.

The second test simulates a panic situation whereby the door is put under 1000 Newton pressure to simulate a group of people pushing against the door.

The operating force on the device with this weight should not exceed 220 Newtons.

### Abusing the push bar

The push bar is attacked with a force equivalent to a 16 stone man (1000 Newtons) pulling/pushing it in all directions and standing on it, after which the bar must still operate.

### Cycle testing

All Briton panic devices exceed the highest requirement of 200,000 cycles, ensuring durability for everyday use.

### The finger trap test

To reduce the risk of trapping fingers and/or the blocking of the panic device, any gap shall not trap a test rod of 10mm dia. at any position of the bar travel during the operation of the panic device.

### Abusing the bolt

Testing the bolt strength involves the equivalent of the combined strength of 4 people trying to pull the bolt away from the door.

An attempted break-in is simulated to test the security of the bolt, force is applied to the anti-thrust device as if the bolt were being 'jimmied' out of its socket.

### Corrosion resistance

A test which measures how suitable the exit device is for varying environmental conditions. All Briton exit hardware has been tested to EN 1670 Building Corrosion Requirements and has achieved at least grade 3 (high resistance) and the Briton 560-570 Series grade 4 (very high resistance). This ensures the product will function correctly in wet, polluted and exterior environments. Note, EN 1670 test does not relate to the finish.

## A guide to specifying panic and emergency exit hardware

### Which system to choose

Having first determined whether the application requires a panic or emergency exit solution there are number of additional considerations which will determine the most appropriate product. These could include:

- Aesthetic considerations - push bar or touch bar
- Designed to satisfy ANSI or EN standards
- Single point or multi-point latching for security
- Frequency of use may require a heavy duty solution
- Additional features such as hold-back or alarm connection
- Use of electric latch retraction to allow the use of electronic access control for external access
- Outside access device for external entry by key or digital code

	LEVEL 4 Panic Exit	LEVEL 3 Panic Exit	LEVEL 3 Panic Exit	LEVEL 1 Panic Exit	LEVEL 1 Panic Exit	LEVEL 2 Emergency Exit	LEVEL 1 Emergency Exit	LEVEL 1 Emergency Exit
Series	Briton 571EL	Briton 570 Series	Briton 560 Series	Briton 376	Briton 378	Briton 581	Briton 372	Briton 1438
Description	Modular panic exit hardware system	Modular panic exit hardware system	Modular panic exit hardware system	Regular panic exit hardware	Regular panic exit hardware	Modular emergency exit hardware system	Regular emergency exit hardware	Regular emergency exit hardware
Touch bar operation	■	■						
Push bar operation			■	■	■			
Push pad operation						■	■	■
CE marked to EN 1125	■	■	■	■	■			
CE marked to EN 179						■	■	■
Approved to ANSI A156.3								
Rim latch device	■	■	■		■	■		■
Vertical bolt device	■	■	■	■		■		
Mortice nightlatch option		■			■	■		
Electric latch retraction	■							
No. of latching points	1 to 5	1 to 5	1 to 5	2	1	1 to 5	2	1
No. of test cycles	200,000	200,000	200,000	200,000	200,000	200,000	200,000	200,000
Certified for use on fire doors	Suitable for use on timber fire doors up to 2hr*			Suitable for use on timber fire doors up to 2hr**				
Suitable for single doors	■	■	■	■	■	■	■	■
Suitable for double doors	■	■	■	■	■	■	■	■
Typical applications	Medium to high end commercial applications	Medium to high end commercial applications	Medium to high end commercial applications	General contract applications	General contract applications	Medium to high end commercial applications	General contract applications	General contract applications

\* Please note: when used in conjunction with a mortice lock, application is limited to a 1 hour fire rating

\*\* Please note: when fitted with an outside access device (OAD) or when used in conjunction with a mortice lock, application is limited to a 1 hour fire rating

## 570 Series - Modular Panic Exit Solutions

Briton 570 panic exit devices have been designed to offer modular solutions for mid to high end specification, providing a combination of style, safety and optimum security. The low projection touch bar device can be used independently to provide single point latching or with additional optional modular locking elements to provide multi-point latching.

The Briton 570 Series is a technologically advanced system and with proven performance and reliability it is suitable for all heavy traffic applications.



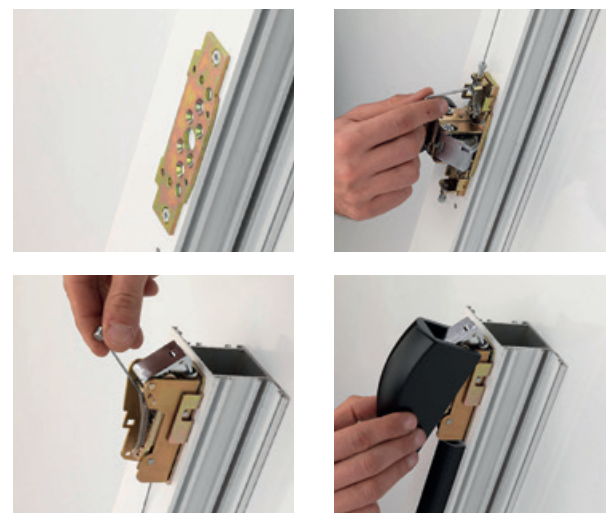
### Primary options

The modular nature of the Briton 570 Series requires a number of options to be selected. Options include:

- Select optional pullman latch kits for top/bottom/side and intermediate latch positions for multi-point latching
- 571.EL unit available with electric latch retraction for use with access control for external access (see page 162)
- 570 also available to operate mortice nightlatch
- Available in a range of finishes - see page 176
- Protective anti-bacterial coating applied as standard
- Optional hold-back and alarm functions

### Principal Features & Benefits

- Robust construction
- Suitable for doors with a minimum clear opening width down to 500mm. This can be reduced to 350mm where side latches are not required.
- Unique assembly which reduces installation time by as much as 50%
- Easy-to-use self adhesive Accufit templates and backplates for panic devices and pullman latches
- Units can be cut down on-site to suit door width
- Patented Fast-Fix cable system replaces conventional vertical rods connecting operating units and pullman latches
- Fine adjustments of the cable system are possible in-situ for maximum accuracy during installation
- Quick and simple snap on covers



### Touch bar

At the heart of the system is the low projection Touch Bar activation device. Each device can be used on its own to provide single point latching or with the addition of universal pullman latches for multi-point latching.

### Pullman latch kits

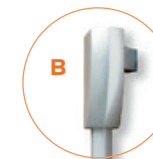
Pullman latches provide a smooth and quiet closing action, ideal for interconnecting doors in highly populated areas.

Available as top/bottom or side acting latches where installation of the striker to the floor is not practical.

In all cases the pullman latch is connected to the Touch bar activation device using a stainless steel cable which is fully concealed beneath extruded cover channels.



Additional side pullman latches (right) can be added to the system. These can be used at any position above or below the activation device to produce 4 point latching on a single door.



A - Top Pullman

B - Upper Side Pullman



C - Bottom Pullman



D - Lower Side Pullman

### Security

The anti-thrust device in the latch and pullmans prevents unauthorised retraction of the latches. This provides a high level of security from outside particularly when combined with multi-point latching.

### Testing & Certification

CE marked to EN1125 (AAA1588)

Fire tested to EN1634 on timber doors to achieve a 2 hour fire rating.

Full Declaration of Performance available from our website at:

[www.britondops.co.uk](http://www.britondops.co.uk)



### What's in the box?

- Touch bar panic operator
- Accufit template and mounting backplate
- Standard strike plate for single rim latch
- Fixing pack
- Installation instructions

\*\* Pullman latch kits are to be ordered separately



## 570 Series - Modular Touch Bar Exit Solutions



**571.1 and 571.2**  
One Point Latching



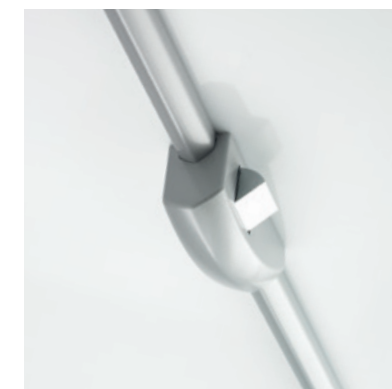
**571 + 574.V**  
Two\*/Three Point Latching  
\* central latch can be disabled during installation



**571 + 574.S**  
Two\*/Three Point Latching  
\* central latch can be disabled during installation



**571 + 574.VS.R (handed)**  
Two\*/Three Point Latching  
\* central latch can be disabled during installation



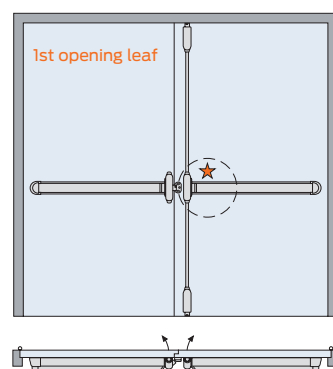
Briton 574.AS additional side pullman latches can be added to any of the systems to provide an additional latching point.



A range of components is available to provide additional functionality to the Briton 570 Series. Refer to page 165 for further details.

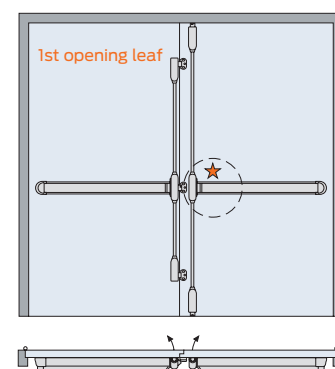
### Briton 570 Series - Double door applications

3 point latching - rebated doors



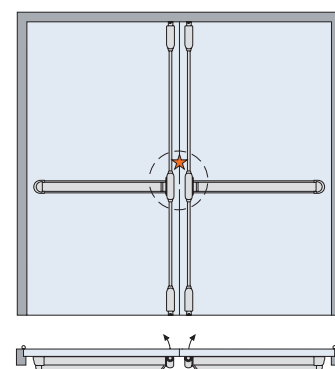
Part No.	Part No.
Briton 571*	Briton 571*
	Briton 574.V

5 point latching - rebated doors



Part No.	Part No.
Briton 571*	Briton 571*
Briton 574.S	Briton 574.V

4 point latching - non rebated doors



Part No.	Part No.
Briton 571*	Briton 571*
Briton 574.V	Briton 574.V

\* Specify 571.1 for 1200mm wide and 571.2 for 840mm wide doors

### Finishes

Briton 570 exit hardware is available in a choice of finishes with options for the push bar and optional pullman latch kits. Please see page 176 for further information.



### Outside Access

A series of outside access devices is available for use with any of the Briton 570 Series exit devices. They provide a simple means of accessing the door from the outside by cylinder or digital push button code lock.

Please see page 177 for detailed information.





## 573.N - Touch Bar Exit Solution with Mortice Nightlatch



Briton 573.N is a touch bar panic exit operator designed specifically for use with the mortice nightlatch supplied.

### Features & Benefits

- Fully compliant with EN 1125 and CE marked
- Supplied with cylinder mortice nightlatch with anti-thrust feature to prevent manipulation of the latch when the door is closed
- Nightlatch accepts euro profile or oval profile cylinders (not supplied)
- Complete with steel box striker
- Alarm micro switch option available
- Reversible on site for left or right hand doors
- Touch bar and vertical cable covers can be cut on site to suit door width and height
- Grip function on touch bar to allow the door to be pulled closed
- Touch bar device is available in 2 lengths to suit doors up to 840mm and 1200mm wide
- Suitable for doors with a minimum clear opening width down to 500mm. This can be reduced to 350mm where side latches are not required

573.N.1 and 573.N.2

Mortice Nightlatch

## 571.EL - Electromechanical Exit Device

The Briton 571 EL electronic panic exit device combines the mechanical features and benefits of the standard 570 Series touch bar panic exit hardware with electronic motorised control.

It presents innovative methods for opening doors, selecting access rights, providing open control, freedom and flexibility, including hierarchical authority and timings.



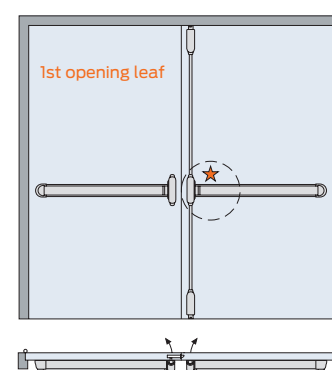
### Features & Benefits

- Fully compliant with EN 1125 and CE marked
- Non handed
- Suitable for doors from 1200 mm to 600 mm (with the same device)
- Suitable for use also with existing access control system
- Warning buzzer
- Timed latch withdrawal after opening, adjustable from 3 to 30 second
- Electronic dogging possible
- Protective anti-bacterial coating applied



### Briton 573.N - Double door applications

Two point latching



★ The latch must be disabled when used as part of this double door configuration.

Part No.	Part No.
Briton 573.N.1 or 573.N.2	Briton 571.1 or 571.2
	Briton 574.V

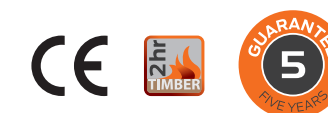
Specify 573.N.1 for 1200mm wide or 573.N.2 for 840mm wide doors

The Briton 571 EL electronic panic exit device can be integrated with a wide range of electronic access control systems including the SimonsVoss and CISA access control options. This provides convenient and controlled access from the outside by pin code or contactless proximity reader, transforming emergency exit doors into effective "smart" entrances.

It is ideal for high footfall buildings such as schools, offices and hospitals, where many employee and staff entrances will also be one of the fire exits the building.

### Technical Features

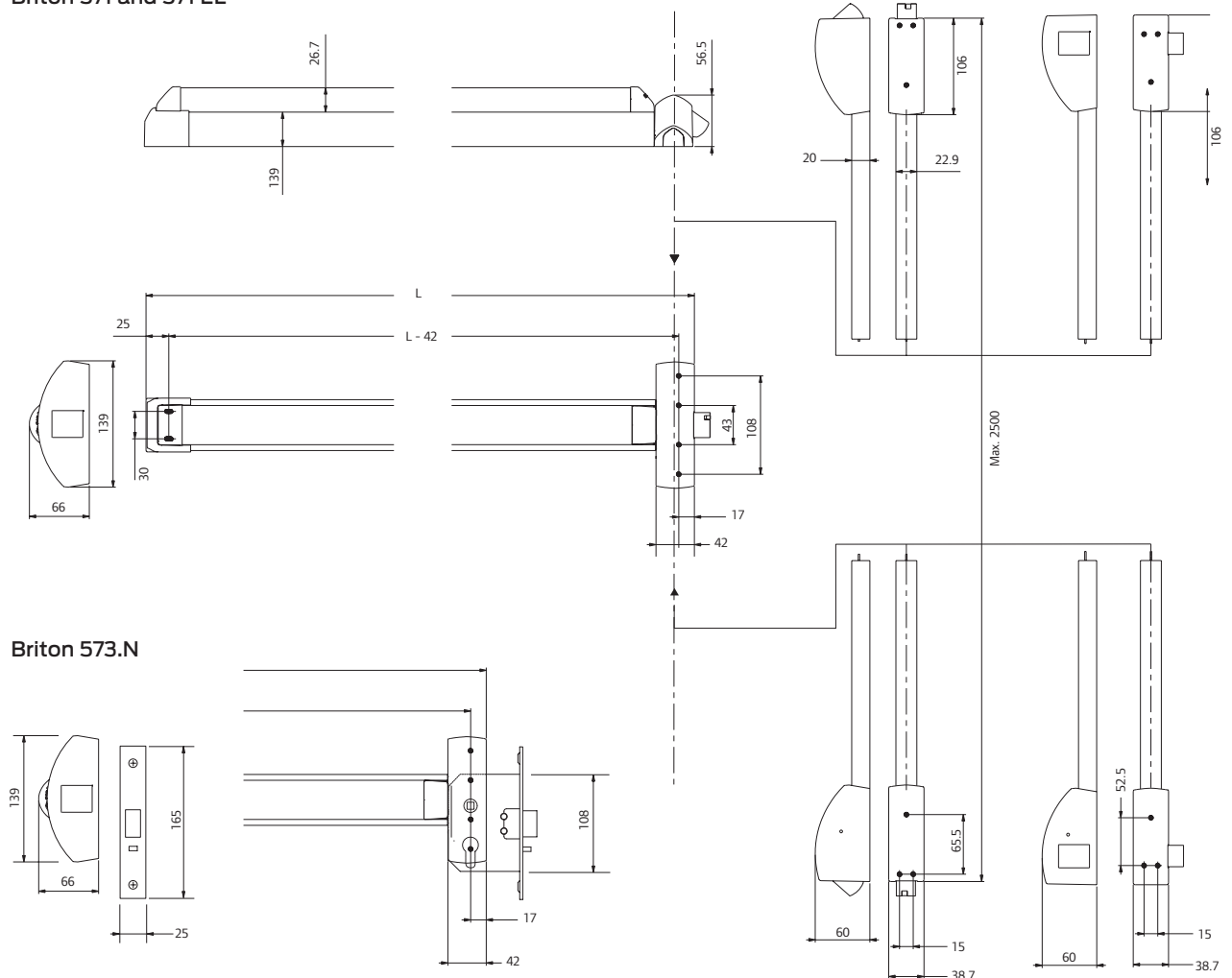
- Low power usage
- Power supply AC 12-20V (50/60 Hz), DC 12-24V
- Absorbed current (max) 1.5 A (12Vdc)
- Absorbed current (stand by, OUT1-OUT2 not connected) 5mA (12Vdc)
- Length of connecting cable 4 m
- Degree of protection IP20
- Operating temperature: -10 - +50°C
- Recommended power supply equal to or above 15 VA (not provided)



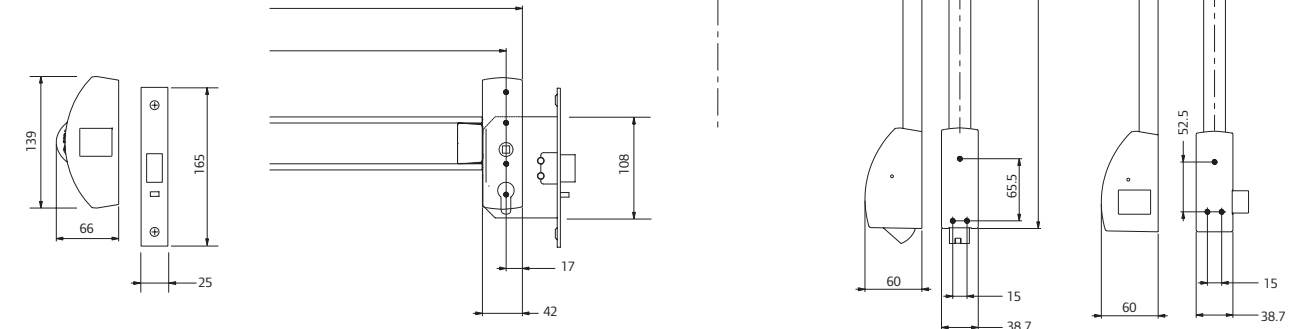
## 570 Series - Modular Push Bar Exit Solutions

Device Type	571.1 & 571.2	573.N.1 & 573.N.2	571.EL	574.V	574.S	574.VS.L	574.VS.R	574.AS
Panic exit device to EN 1125	■	■	■					
Suitable for use with pullman latch kits	■		■					
Single point latching	■	■	■					
Min./Max. door width (mm)	500 1300	500 1300	600 1200	n/a	n/a	n/a	n/a	n/a
Max. door height (mm)	n/a	n/a	n/a	2500	n/a	2500	2500	n/a
Pullman latch kit top/bottom				■				
Pullman latch kit side acting					■			■
Pullman latch kit - combination top/side						■	■	
<b>Features</b>								
Motorised latch retraction			■					
Mortice nightlatch operation		■						
Touch bar/push bar cut on-site	■	■	■					
Fast-Fix cable system				■	■	■	■	■
Vertical cable cover cut on-site				■	■	■	■	■
Self handed	■	■	■	■	■			■
Handed - specify when ordering						■	■	
Alarmed (accessory)	□		□					
Dogged hold-open facility (accessory)	□		□					
<b>CE Classification</b>								
377B1422BA	■	■	■					

Briton 571 and 571 EL



Briton 573.N



all dimensions are in mm

### Construction

The main and end casings are steel components, mounted on a steel chassis and covered by a precision zinc die-cast cover.

The steel latch is activated by an extruded aluminium touch bar enclosed in an extruded aluminium channel.

### Locking kits (574.V/574.S/574.VS/574.AS)

The locking points are constructed of steel components mounted on a steel chassis incorporating a steel latch. Connection to the push bar or touch bar device is via an adjustable stainless steel cable concealed by an extruded aluminium cover.

### Fixing/installation

These surface mounted devices come complete with easy to follow pictorial fixing instructions. Self adhesive Accufit templates ensure accurate installation of backplates for mounting the operating mechanism and pullman latches. Mechanisms are clamped onto the backplates. Flexible steel cables connecting the operating mechanism to the pullman latches require no measuring and adjustment screws in the main unit allow for fine adjustments. Clip on covers to the main unit and pullmans complete the installation.

The devices are supplied with adjustable strikers with packers to ensure continued optimum performance.

Fixing and maintenance instructions must be passed on to the user upon completion of installation.

Product Ref:	Description	Finishes
571.1	Touch bar exit device for doors from 840 to 1200mm wide	
571.2	Touch bar exit device for doors from 500 to 840mm wide	SE; SES; SS; SSS; PS;
573.N.1	Touch bar exit device with mortice nightlatch - for doors from 840 to 1200mm wide	PB;
573.N.2	Touch bar exit device with mortice nightlatch - for doors from 500 to 840mm wide	
571.1.EL	Touch bar exit device with motorised latch retraction for doors from 840 to 1200mm wide	SE; SES; SSS
571.2.EL	Touch bar exit device with motorised latch retraction for doors from 600 to 840mm wide	
574.S	Pullman latch kit with upper and lower side acting latches - suit left and right hand doors	
574.VS.L	Pullman latch kit with one top and one lower side acting latch - left hand	
574.VS.R	Pullman latch kit with one top and one lower side acting latch - right hand	SE; BM; SS
574.V	Pullman latch kit with upper and lower vertical acting latches - suit left and right hand doors	
574.AS	Additional side acting pullman latch kit - can be inserted above or below the exit device	



## 570 Series - Accessories

### Access Control Accessories - For Briton 571.EL only

The Briton 571 EL can be used in conjunction with CISA and SimonsVoss access control systems with the PinCode keypad, transponder or card reader as the electronic key.

#### SV.MK.TRA.PINCODE

MobileKey PinCode Keypad



#### SV.MK.SREL2.ZK.G2.W

MobileKey Digital SmartRelay



#### 06525-75-0

CISA Access Control Keypad



#### SV.MK.TRA2.G2

Transponder



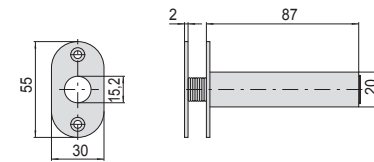
#### SV.MK.CD.STARTER.G2

MobileKey USB programming device



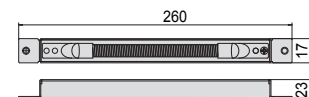
#### 06515-00-0

CISA Concealed Door Spring



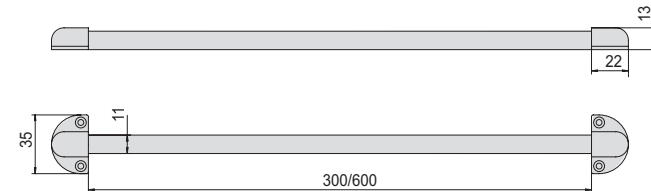
#### 06515-15-0

CISA Concealed Door Loop - 260mm



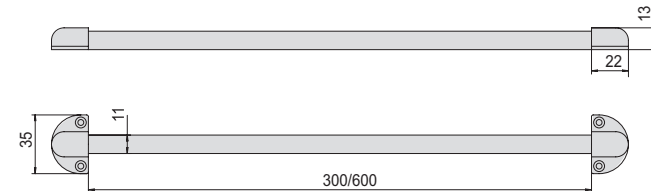
#### 06515-20-0

CISA Door Loop - 300mm



#### 06515-21-0

CISA Door Loop - 600mm



#### Briton 576.RE

The top rod extension kit is designed for use on doors that require the push bar to be in a lower position e.g schools. It can also be used on doors up to 3350mm high, however doors over 2500mm high are outside the scope of EN 1125.

Finish: silver or matt black



#### Alarm switch kits

Allow standard models to be connected to electronic audio/visual alarm or door control systems giving immediate notification when the panic device is operated.

The switch is mounted in the end box of the standard panic operator.

#### 576.AK

Alarm switch kit for all Briton 570 Series devices



#### Briton 574.STE

Easy clean socket for use with lower pullman



#### Dogging device (hold-open) kits

These units allow standard models to be upgraded to permit free access when required.

The manual hold-open function is operated by a key and holds all latches in the withdrawn position.

#### 576.DK

Dogging device kit (not suitable for Briton 573.N)



#### Briton 574.STP

Adjustable strike for use with top or side pullmans fitted to PVCu frames with a projection of 14 - 24mm.



Product Ref:	Accessories	Finishes
576.RE	Extension for top pullman to suit doors up to 3350mm (not covered by CE) - for all 570 Series	SE: BM; SSS-PVD
576.AK	Alarm kit for Briton 570 touch bar device - for all 570 Series	n/a
576.DK	Dogging kit to hold the latch(es) in the retracted position - not suitable for 573.N	SE: BM
574.STE	Easy clean floor socket for bottom pullman - for all 570 Series	BM
574.STP	Strike for use with PVCu frames - suits top or side pullman latches - for all 570 Series	BM
SV.MK.CD.STARTER.G2	MobileKey USB programming - For use with Briton 571.EL units only	
SV.MK.TRA.PINCODE	MobileKey PinCode keypad - For use with Briton 571.EL units only	
SV.MK.TRA2.G2	MobileKey transponder - For use with Briton 571.EL units only	
SV.MK.SREL2.ZK.G2.W	MobileKey Digital SmartRelay - For use with Briton 571.EL units only	
06515-00-0	Access control keypad - For use with Briton 571.EL units only	
06515-15-0	Concealed door spring	
06515-20-0	Concealed door loop to transfer power cable from 571.EL to door frame	
06515-21-0	Surface door loop (300mm) to transfer power cable from 571.EL to door frame	
06525-75-0	Surface door loop (600mm) to transfer power cable from 571.EL to door frame	

## 560 Series – Modular Panic Exit Solutions

Briton 560 panic exit devices have been designed to offer modular solutions for mid to high end specification, providing a combination of style, safety and optimum security. The push bar device can be used independently to provide single point latching or with additional optional modular locking elements to provide multi-point latching. The Briton 560 Series is a technologically advanced system and with proven performance and reliability it is suitable for all heavy traffic applications.

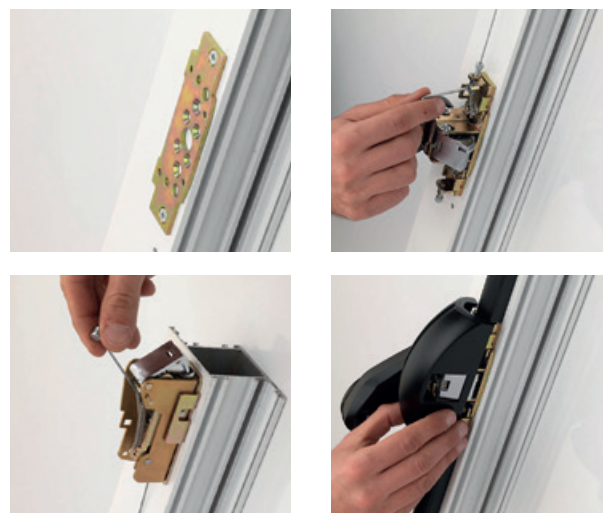


### Primary options

- The modular nature of the Briton 560 Series requires a number of options to be selected. Options include:
- Select optional pullman latch kits for top/bottom/side and intermediate latch positions for multi-point latching
  - End covers, operating arms and push bars are available in a range of finishes - see page 176
  - Optional hold-back and alarm functions

### Features & Benefits

- Robust construction
- Suitable for doors with a minimum clear opening width down to 500mm. This can be reduced to 350mm where side latches are not required.
- Unique assembly which reduces installation time by as much as 50%
- Easy-to-use self adhesive Accufit templates and backplates for panic devices and pullman latches
- Units can be cut down on-site to suit door width
- Patented Fast-Fix cable system replaces conventional vertical rods connecting operating units and pullman latches
- Fine adjustments of the cable system are possible in-situ for maximum accuracy during installation
- Quick and simple snap on covers



### Touch bar

At the heart of the system is the Push Bar activation device. Each device can be used on its own to provide single point latching or with the addition of universal pullman latches for multi-point latching.

### Pullman latch kits

Pullman latches provide a smooth and quiet closing action, ideal for interconnecting doors in highly populated areas. Available as top/bottom or side acting latches where installation of the striker to the floor is not practical. In all cases the pullman latch is connected to the push bar activation device using a stainless steel cable which is fully concealed beneath extruded cover channels.



Additional side pullman latches (right) can be added to the system. These can be used at any position above or below the activation device to produce 4 point latching on a single door.



A - Top Pullman B - Upper Side Pullman



C - Bottom Pullman D - Lower Side Pullman

### Security

The anti-thrust device in the latch and pullmans prevents unauthorised retraction of the latches. This provides a high level of security from outside particularly when combined with multi-point latching.

### Testing & Certification

CE marked to EN1125 (AAA1589)  
 Fire tested to EN1634 on timber doors to achieve a 2 hour fire rating.  
 Full Declaration of Performance available from our website at:  
[www.britondops.co.uk](http://www.britondops.co.uk)



### What's in the box?

- Push bar panic operator
- Accufit template and mounting backplate
- Standard strike plate for single rim latch
- Fixing pack
- Installation instructions

\*\* Pullman latch kits are to be ordered separately



## 560 Series - Modular Push Bar Exit Solutions



**561**  
One Point Latching



**561 + 574.V**  
Two\*/Three Point Latching  
\* central latch can be disabled during installation



**561 + 574.S**  
Two\*/Three Point Latching  
\* central latch can be disabled during installation



**561 + 574.VS.R** (handed)  
Two\*/Three Point Latching  
\* central latch can be disabled during installation



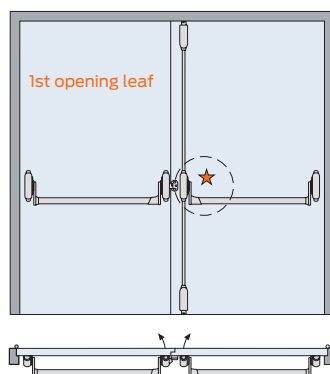
Briton 574.AS additional side pullman latches can be added to any of the systems to provide an additional latching point.



A range of components is available to provide additional functionality to the Briton 570 Series. Refer to page 175 for further details.

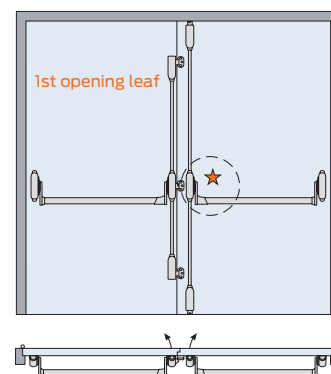
### Briton 560 Series - Double door applications

3 point latching - rebated doors



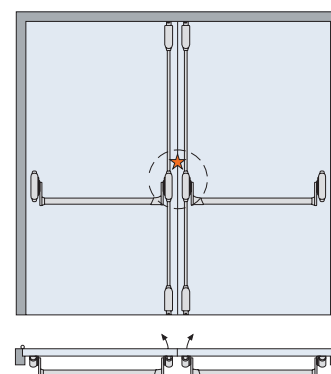
Part No.	Part No.
Briton 561	Briton 561
	Briton 574.V

5 point latching - rebated doors



Part No.	Part No.
Briton 561	Briton 561
Briton 574.S	Briton 574.V

4 point latching - non rebated doors



Part No.	Part No.
Briton 561	Briton 561
Briton 574.V	Briton 574.V

### Finishes

Briton 560 exit hardware is available in a choice of finishes with options for the push bar and optional pullman latch kits. Please see page 176 for further information.



### Outside Access

A series of outside access devices is available for use with any of the Briton 560 Series exit devices. They provide a simple means of accessing the door from the outside by cylinder or digital push button code lock.

Please see page 177 for detailed information.

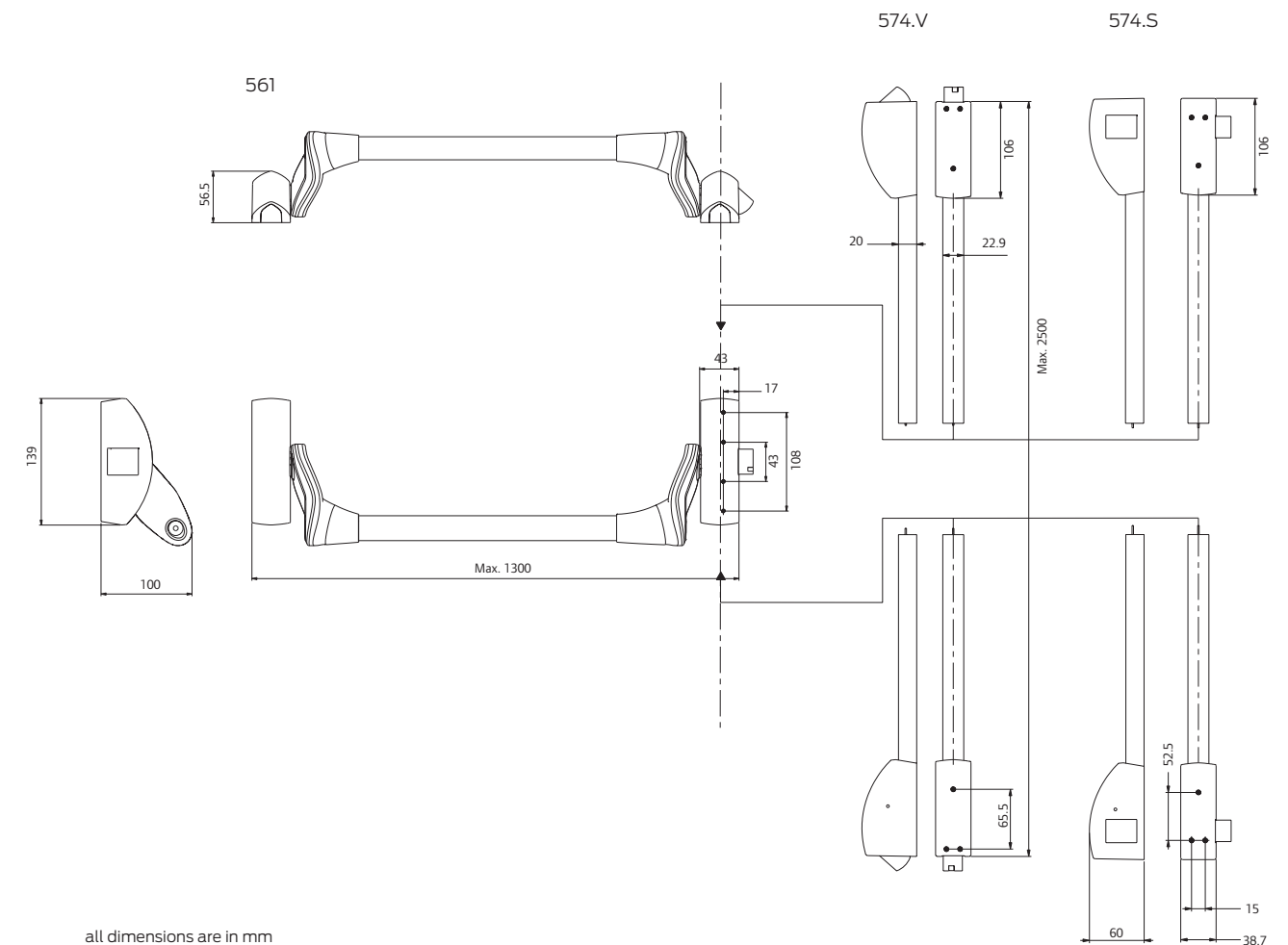


## 560 Series – Modular Push Bar Exit Solutions

	561	574.V	574.S	574.VS.L	574.VS.R	574.AS
Device Type	■	■	■	■	■	■
Panic exit device to EN 1125	■					
Single point latching	■					
Min./Max. door width (mm)	500* 1300	n/a	n/a	n/a	n/a	n/a
Max. door height (mm)	n/a	2500	n/a	2500	2500	n/a
Pullman latch kit top/bottom		■				
Pullman latch kit side acting			■			■
Pullman latch kit - combination top/side				■	■	
<b>Features</b>						
Touch bar/push bar cut on-site	■					
Fast-Fix cable system		■	■	■	■	■
Vertical cable cover cut on-site		■	■	■	■	■
Self handed	■	■	■			■
Handed - specify when ordering				■	■	
Alarmed (accessory)	□					
Dogged hold-open facility (accessory)	□					
<b>CE Classification</b>						
377B1422AA	■					

\* note: this can be reduced to 350mm where side latches are not required.

### Briton 560



#### Construction

The main and end casings are steel components, mounted on a steel chassis and covered by a precision zinc die-cast cover.

The steel latch is activated by a tubular steel bar.

#### Locking kits (574.V/574.S/574.VS/574.AS)

The locking points are constructed of steel components mounted on a steel chassis incorporating a steel latch. Connection to the push bar or touch bar device is via an adjustable stainless steel cable concealed by an extruded aluminium cover.

#### Fixing/installation

These surface mounted devices come complete with easy to follow pictorial fixing instructions. Self adhesive Accufit templates ensure accurate installation of backplates for mounting the operating mechanism and pullman latches. Mechanisms are clamped onto the backplates. Flexible steel cables connecting the operating mechanism to the pullman latches require no measuring and adjustment screws in the main unit allow for fine adjustments. Clip on covers to the main unit and pullmans complete the installation.

The devices are supplied with adjustable strikers with packers to ensure continued optimum performance.

Fixing and maintenance instructions must be passed on to the user upon completion of installation.

Product Ref:	Description	Finishes
561	Push bar exit device for doors from 500mm to 1300mm wide	PB; PS; SE; SES; SS; SSS
574.S	Pullman latch kit with upper and lower side acting latches - suit left and right hand doors	
574.VS.L	Pullman latch kit with one top and one lower side acting latch - left hand	
574.VS.R	Pullman latch kit with one top and one lower side acting latch - right hand	SE; BM; SS
574.V	Pullman latch kit with upper and lower vertical acting latches - suit left and right hand doors	
574.AS	Additional side acting pullman latch kit - can be inserted above or below the exit device	

Product Ref:	Accessories	Finishes
576.RE	Extension for top pullman to suit doors up to 3350mm (not covered by CE)	SE; BM; SSS-PVD
566.AK	Alarm kit for Briton 560 push bar device - see page 175	n/a
566.DK	Dogging kit to hold the latch(es) in the retracted position	SE; BM
574.STE	Easy clean floor socket for bottom pullman	BM
574.STP	Strike for use with PVCu frames - suits top or side pullman latches	BM



## 581 Series - Modular Push Pad Exit Solutions

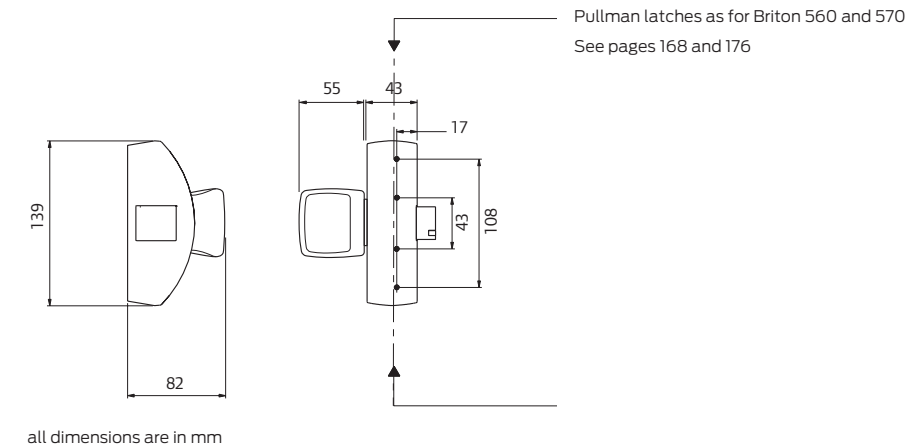
For use in areas which will only be used by trained personnel

### Principal Features & Benefits

- Fully compliant with EN 179 for emergency exit applications only
- Non handed
- Suitable for single doors and in combination on double doors
- Can be used as a single rim latch device or in conjunction with pullman latch kits for multi-point latching
- Very high corrosion resistance
- Security Grade 5 - 5000N side load

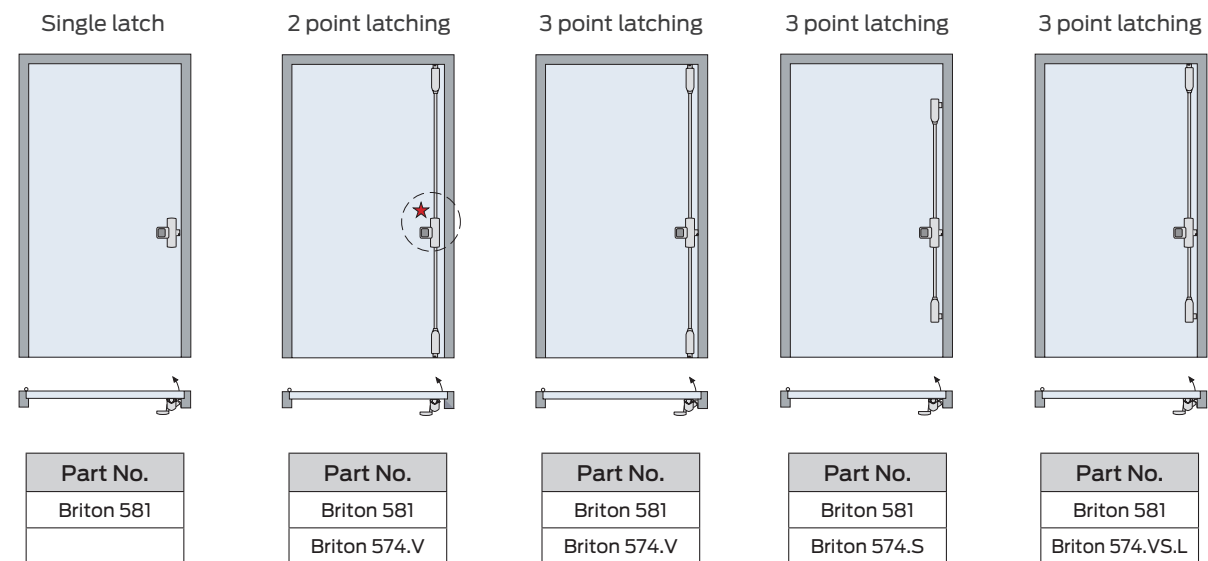


## Modular emergency exit solutions offering multi-point latching

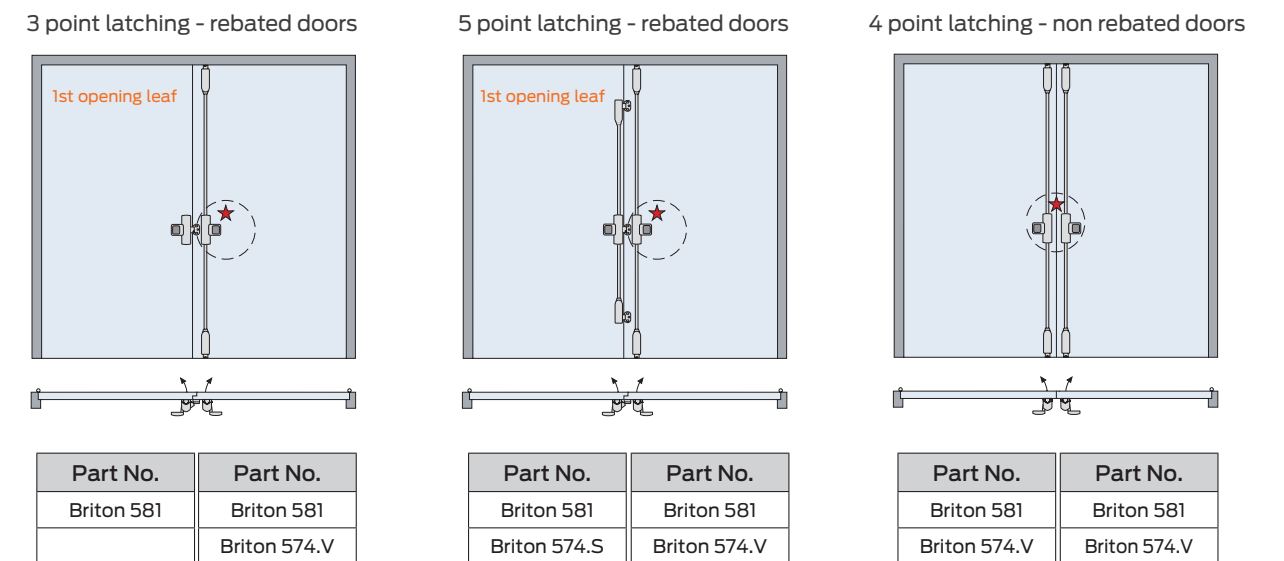


Product Ref:	Description	Finishes
<b>581</b>	Push pad emergency exit device to EN 179	SE; BM
<b>574.S</b>	Pullman latch kit with upper and lower side acting latches - suit left and right hand doors	
<b>574.VS.L</b>	Pullman latch kit with one top and one lower side acting latch - left hand	
<b>574.VS.R</b>	Pullman latch kit with one top and one lower side acting latch - right hand	SE; BM; SS
<b>574.V</b>	Pullman latch kit with upper and lower vertical acting latches - suit left and right hand doors	
<b>574.AS</b>	Additional side acting pullman latch kit - can be inserted above or below the exit device	

### Briton 581 - Single door applications



### Briton 581 - Double door applications



## 560 & 581 Series - Accessories

### Briton 576.RE

The top rod extension kit is designed for use on doors that require the push bar to be in a lower position e.g schools. It can also be used on doors up to 3350mm high, however doors over 2500mm high are outside the scope of EN 1125.



### Alarm switch kits

Allow standard models to be connected to electronic audio/visual alarm or door control systems giving immediate notification when the panic device is operated.

The switch is mounted in the end box of the standard panic operator.

### 566.AK

Alarm switch kit (for use with Briton 560 only)



### Dogging device (hold-open) kits

These units allow standard models to be upgraded to permit free access when required.

The manual hold-open function is operated by a key and holds all latches in the withdrawn position.

### 566.DK

Dogging device kit (for use with Briton 560 only)



### Briton 574.STE

Easy clean socket for use with lower pullman



### Briton 574.STP

Adjustable strike for use with top or side pullmans fitted to PVCu frames with a projection of 14 - 24mm.

Product Ref:	Accessories	Finishes
576.RE	Extension for top pullman to suit doors up to 3350mm (not covered by CE) - for all 570 Series	SE: BM; SSS-PVD
576.AK	Alarm kit for Briton 570 touch bar device - for all 570 Series	n/a
576.DK	Dogging kit to hold the latch(es) in the retracted position - not suitable for 573.N	SE: BM
574.STE	Easy clean floor socket for bottom pullman - for all 570 Series	BM
574.STP	Strike for use with PVCu frames - suits top or side pullman latches - for all 570 Series	BM

## 570, 560 & 581 Series - Guide to Finishes

The modular nature of the Briton 560 and 570 Series means the finish of the operator and any additional pullman latch kits must be specified.

We recommend always to specify any pullman latch kits in a finish to match the operator end boxes (see below).

### Finish description

**SES:** End boxes push bar and operating arms are powder coated silver with light grey push bar connector.

**SE:** Push bar is powder coated silver with all other components including end boxes in matt black. Pullman latch kits in SE are sprayed silver throughout.

**BM:** Powder coated matt black. Applies to pullman latch kits and accessories only.



Briton 561 Operator in SES finish with pullman latch kit in SE finish



Briton 561 Operator in SE finish with pullman latch kit in BM finish

Briton 570 Series touch bar devices are also available in a series of plated metal finishes on the touch bar only. The chassis and end boxes are matt black in all cases.

- SS** - Satin stainless steel
- SSS** - Satin Stainless Steel PVD
- PS** - Polished stainless steel
- PB** - Polished brass



Briton 571 in SES finish



SS



PS



PB



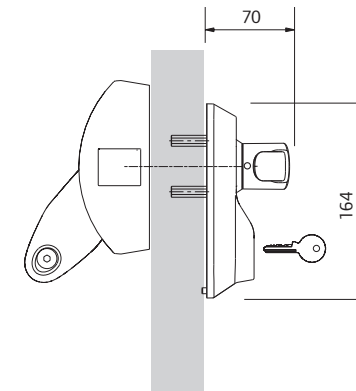
## Briton 560, 570 & 581 – Outside Access

A series of outside access devices which can be used with the Briton 560, 570 and 581 Series panic and emergency exit devices. They provide a simple means of accessing the door from the outside.

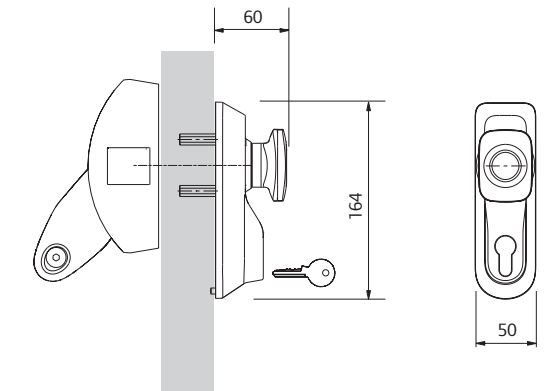
- Designed to suite with all Briton CE compliant exit devices
- Suitable for doors 40mm to 70mm thick
- Fixings suitable for timber & metal doorsets
- Powder coated for additional durability – silver, gold and brown bronze
- Choice of plated finishes – satin stainless steel, polished stainless steel and polished brass
- Illustrated instructions and template enabling accurate installation



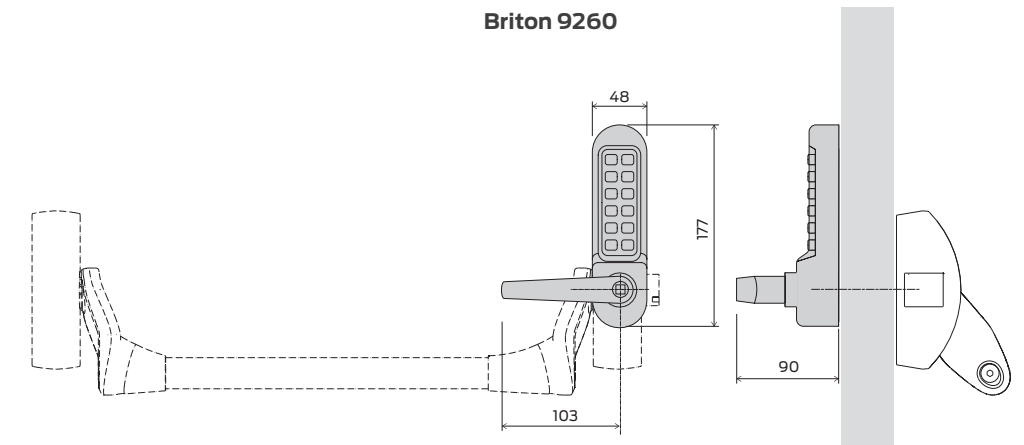
Briton 1413.LE



Briton 1413.KE



Briton 9260



all dimensions are in mm

### Briton 1413.KE – knob variant

- Ergonomic design providing improved grip in wet conditions.
- Supplied with euro-profile standard differ cylinder
- Keyed-alike or master-keyed cylinder options available
- Optional key retention
- Non-handed
- Note: not recommended for high use areas

### Briton 1413.LE - lever variant

- Anti vandal design with clutch mechanism allows the lever to rotate when the unit is locked
- Site reversible lever provides good grip and easy action
- Easy retrofit on existing Briton 1413E models
- Supplied with euro-profile standard differ cylinder
- Keyed-alike or master-keyed cylinder options available
- Cylinders can be incorporated into existing masterkey systems
- BS 8300 compliant lever
- Optional key retention

### Briton 9260 digital code lock

- Digital code lock option has over 2047 non sequential code options
- Supplied with extra long spindles for use with Briton exit devices
- Reversible lever operation for left or right hand applications
- Code changed by removing the unit from the door
- Not suitable for use with 389.N

Device Type	561	571	571.EL	573.N	581
Briton 1413.KE	■	■		■	■
Briton 1413.LE	■	■		■	■
Briton 9260	■	■		■	■
Electronic access control*			■		

\* A series of SimonsVoss and CISA access control is available for use with the Briton 571.EL motorised panic exit device. Please refer to page 165 for information.

## 376 Series - Push Bar Exit Hardware

In distinct contrast to the modular nature of the Briton 560 - 570 Series, the long established Briton 376 Series is supplied as a complete boxed product. Versions with pullman latches or other additional features such as alarm connection are specified as complete assemblies which are identified by the following suffixes to the product code:

- .P with pullman latches
- .N with mortice nightlatch
- .A with alarm facility
- .D with manual dogging (hold-back function)



## 376 Series - Push Bar Exit Hardware

### Features & Benefits

- Rim latch, vertical bolts and mortice nightlatch options
- Tested in excess of 200,000 cycles
- Products designed to satisfy panic exit applications or emergency exit applications
- Suitable for single doors and in combination on double doors
- Self handed or site reversible
- Durable aluminium die cast body and end boxes with extruded aluminium guides
- Steel shoot bolts
- Tubular steel shoots and cross bar can be cut on-site to suit door width and height
- Options include alarm activation, manual hold-open (dogging), and quiet close pullman latches
- Available in sprayed silver and plated metallic finishes
- All versions supplied complete with fixings, installation instructions and self adhesive "Push Bar to Open" signage



### Testing & Certification

CE marked to EN 1125 (AAA011) and EN 179  
 Fire tested to EN 1634 to achieve a 2 hour fire rating on timber doors and steel doors.

Full Declaration of Performance available from our website at:

[www.britondops.co.uk](http://www.britondops.co.uk)



### What's in the box?

- Panic or emergency device c/w all vertical bolts and latches as required
- Strike plate/s
- Fixing pack
- Installation instructions



## 376 Series - Push Bar Panic Exit Hardware

## Options with pullman latches, alarm or hold-back feature



**Panic Exit Bolt  
Briton 376**

- Vertical panic bolt activation
- Two point locking for extra security
- Anti-thrust device, prevents forced latch retraction
- Suitable for single and double door applications
- Optional models available (see chart page 183)



**Panic Exit Latch  
Briton 378**

- Rim panic latch with single point latching
- Suitable for single doors
- Hand reversed on site
- Optional models available (see chart page 183)



**Mortice Panic Nightlatch  
Briton 379.N**

- Mortice panic nightlatch
- For single doors and the first opening leaf of double doors
- Hand reversed on site
- Supplied with dual profile cylinder mortice nightlatch, (cylinder not supplied)
- Anti-thrust device prevents forced latch retraction



**Panic Exit for Double Doors  
Briton 377**

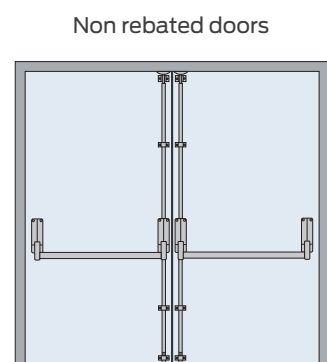
- Double door combination
- Suitable for rebated double doors
- Comprises 376 panic bolt and 378 rim panic latch devices
- 378DDS double door strike included



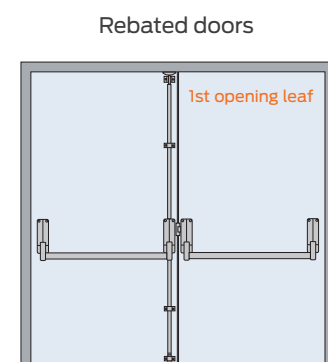
### Options and accessories

Most of the 376 Series panic exit devices can be ordered with additional functions of built in alarm, hold-open (dogging) function or with quiet close pullman latches. Please refer to the product selector overleaf. A series of accessories is also available to suit application to metal doors.

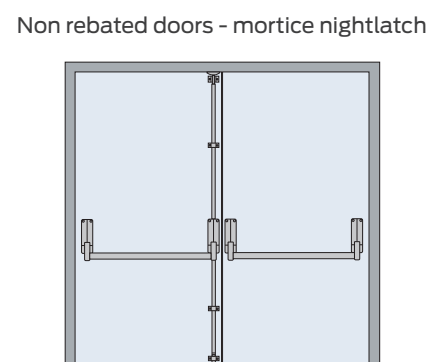
### Briton 376 - Double door applications



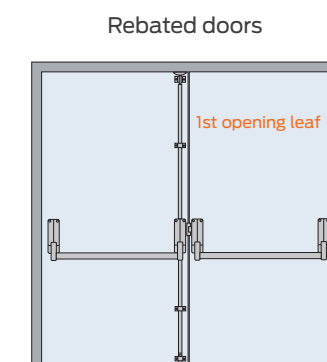
Part No.	Part No.
Briton 376	Briton 376
+ options	+ options



Part No.	Part No.
Briton 376	Briton 378
+ options	+ options



Part No.	Part No.
Briton 376	Briton 379.N
+ options	+ options



Part No.
Briton 377

## 376 Series - Push Bar Panic Exit Hardware to EN 1125

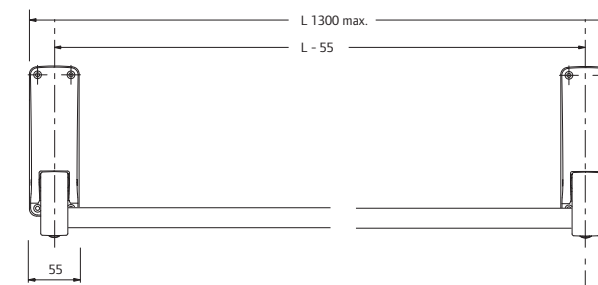
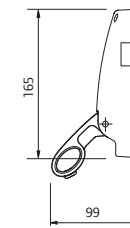
Device Type	376	376.A	376.D	376.P	376.PD	377	378	378.D	379.N	379.NA	379.ND
Panic exit device to EN 1125	■	■	■	■	■	■	■	■	■	■	■
Vertical bolts top/bottom	■	■	■	■	■	■					
Single point rim latch							■	■			
Mortice nightlatch									■	■	■
Suitable for single doors	■	■	■	■	■		■	■	■	■	■
Suitable for double door combinations						■					
Min./Max. door width (mm) per leaf	665 1300	665 1300	665 1300	665 1300	665 1300	665 1300	665 1300	665 1300	665 1300	665 1300	665 1300
Max. door height (mm)	2500	2500	2500	2500	2500	2500	n/a	n/a	n/a	n/a	n/a
<b>Features</b>											
Mortice nightlatch operation									■	■	■
Push bar cut on-site	■	■	■	■	■	■	■	■	■	■	■
Adjustable top/bottom latches	■	■	■	■	■	■					
Self handed	■	■	■	■	■				■	■	■
Site reversible						■	■	■			
Quiet close pullman latches				■	■						
Alarmed		■								■	
Dogged hold-open facility			■		■			■			■
<b>CE Classification</b>											
376B1322AA	■	■	■								

### Door sizes

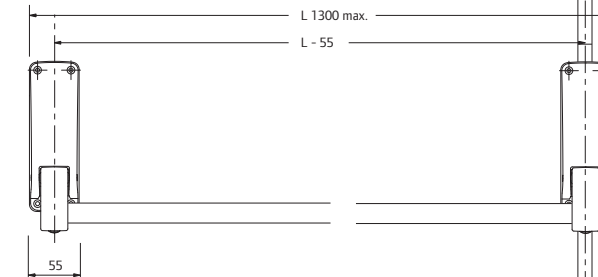
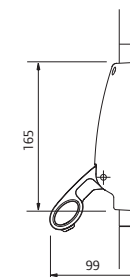
All products are suitable for use on doors up to 2500mm high x 1300mm wide. Minimum width of stiles 78mm for 13mm rebates and 90mm for 25mm rebates. For doors with less than 665mm clear opening width please seek advice from Technical Support on 0800 834102.

For Briton 379.N, 379.NA & 379.ND minimum door thickness is 40mm and minimum width of stile is 88mm.

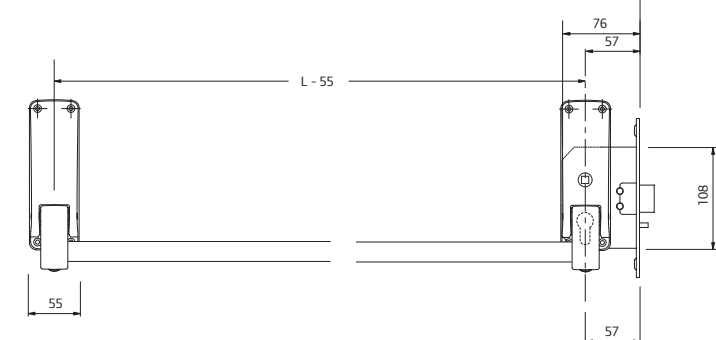
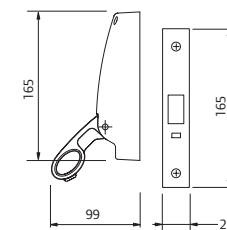
### Briton 378



### Briton 376



### Briton 379.N



all dimensions are in mm

Product Ref:	Description	Finishes
376	Push bar panic exit vertical bolt device	SE; SS*; PS*; PB*
376.A	Push bar panic exit vertical bolt device with alarm function	SE; SS*
376.D	Push bar panic exit vertical bolt device with manual dogging	SE; SS*
376.P	Push bar panic exit device with upper and lower pullman latches	SE; SS*
376.PD	Push bar panic exit device with upper and lower pullman latches and manual dogging	SE; SS*; PB*
377	Double door combination of rim latch and vertical bolt devices for rebated double doors	SE; SS*; PS*; PB*
378	Push bar panic exit rim latch device	SE; SS*; PS*; PB*
378.D	Push bar panic exit rim latch device with manual dogging	SE; SS*; PS*; PB*
379.N	Push bar panic exit device with dual profile cylinder mortice nightlatch	SE; SS*; PS*; PB*
379.NA	Push bar panic exit device with dual profile cylinder mortice nightlatch and alarm function	SE; SS*; PS*; PB*
379.ND	Push bar panic exit device with dual profile cylinder mortice nightlatch and manual dogging	SE; SS*; PS*; PB*

\* PVD plated finishes



## 376 Series - Push Pad Emergency Exit Hardware to EN 179



**Push Pad Emergency Exit Bolt  
Briton 372**

- Pad operated vertical bolts
- Two point locking
- Anti-thrust device, prevents forced latch retraction
- Suitable for single and double door applications
- Self-handed
- Can be used with quiet close pullman latches



**Push Pad Emergency Exit Latch  
Briton 1438**

- Pad operated rim latch
- Suitable for use on single doors and first opening leaf of rebated double doors
- Site reversible
- Double door strike available for rebated double doors



**Push Pad Emergency Exit Latch  
Briton 389.N**

- Mortice nightlatch operation
- Suitable for use on single and double doors (see below)
- Site reversible
- Supplied with dual profile cylinder mortice nightlatch, (cylinder not supplied)
- Anti-thrust device, prevents forced latch retraction

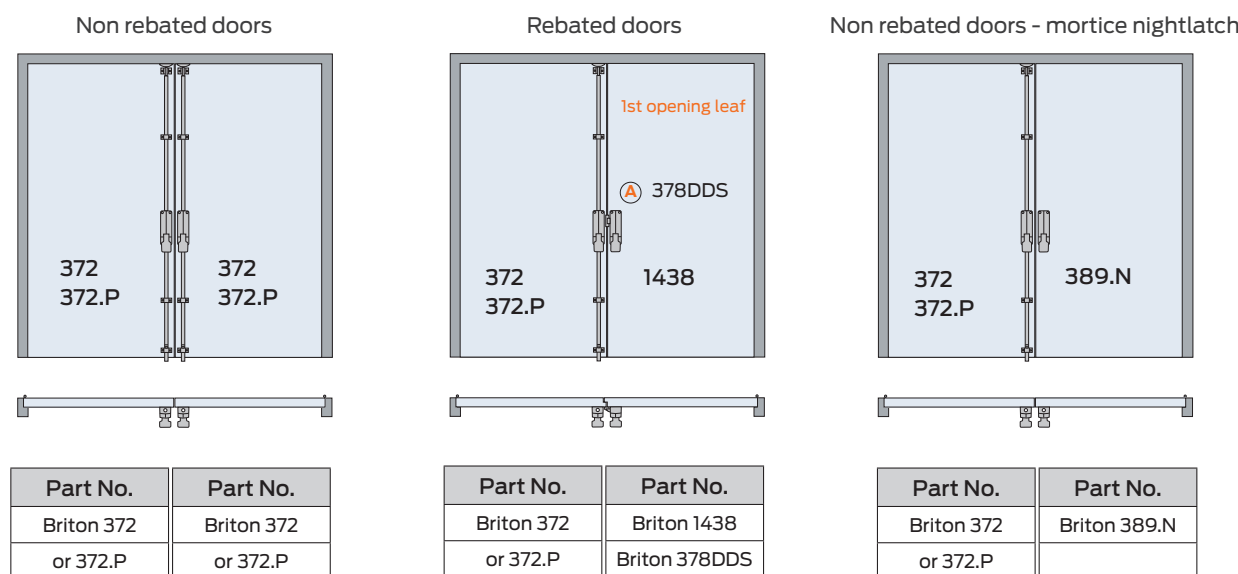
For applications not accessed by members of the public

Device Type	372	372.P	1438	389.N
Emergency exit device to EN 179	■	■	■	■
Vertical bolts top/bottom	■	■		
Single point rim latch			■	
Mortice nightlatch				■
Suitable for single doors	■	■	■	■
Suitable for double door combinations	■	■	■	■
Max. door height (mm)	2500	2500	n/a	n/a
<b>Features</b>				
Mortice nightlatch operation				■
Vertical rods and covers cut on-site	■	■		
Adjustable top/bottom latches	■	■		
Self handed	■		■	■
Site reversible		■		
Quiet close pullman latches		■		
<b>CE Classification</b>				
376B1342BA	■	■	■	

Products conforming to EN 179 are only intended for use by personnel who are fully aware of the escape routes and have been trained to operate these devices.

If there is any doubt about the suitability of these devices for your application you should ALWAYS use a panic exit solution to EN 1125.

### Briton 372 - Double door applications



Ⓐ Accessories required



All Briton exit devices are supplied with self-tapping screws suitable for timber and metal doorsets.

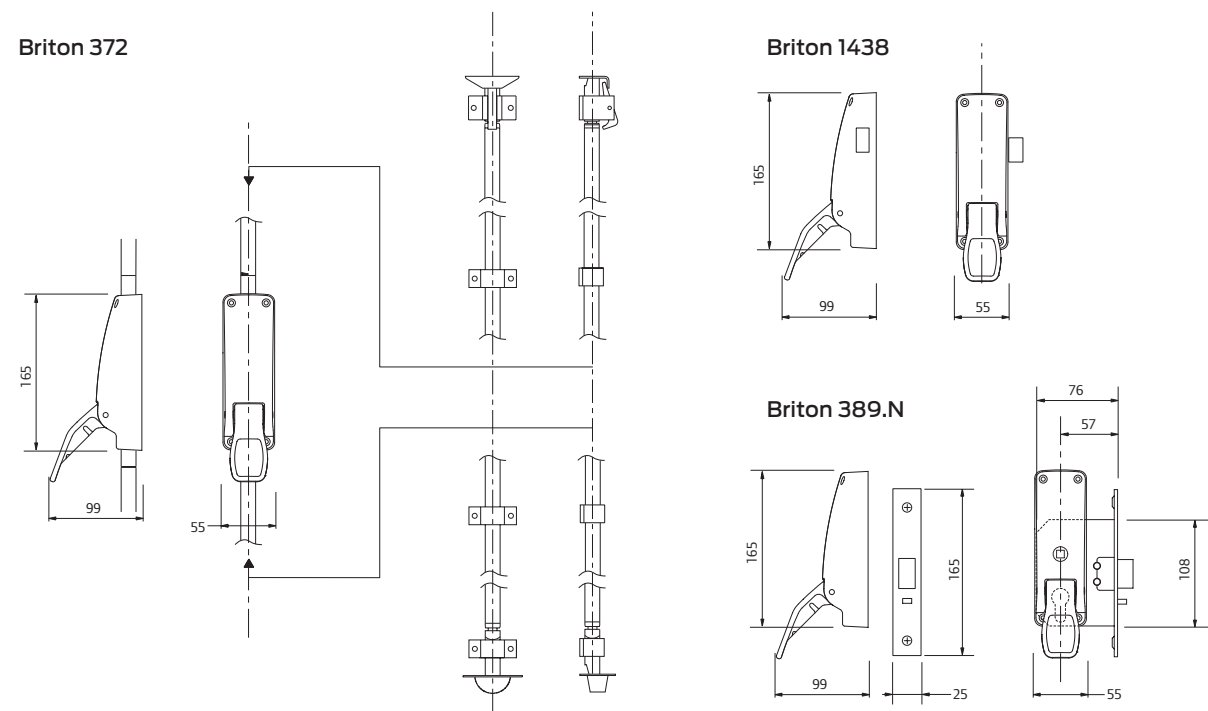
For customers who prefer machine screws, alternative fixing packs are available.



### Options and accessories

The Briton 372 exit device is also available with quiet close pullman latches or with accessories to suit metal door applications. Please refer to the accessories overleaf.

## 376 Series - Push Pad Emergency Exit Hardware to EN 179



all dimensions are in mm

Product Ref:	Description	Finishes
<b>372</b>	Push pad emergency exit device with vertical bolts	BM; SE; SS*; PS*; PB*
<b>372.D</b>	Push pad emergency exit device with vertical bolts and manual dogging	SE
<b>372.P</b>	Push pad emergency exit device with upper and lower pullman latches	BM; SE; SS*; PB*
<b>372.M</b>	Push pad emergency exit device with vertical bolts for use on metal doors	SE; SS*; PB*
<b>389.N</b>	Push pad emergency exit device with dual profile cylinder mortice nightlatch	SE; SS*; PS*; PB*
<b>1438.L</b>	Push pad emergency exit device with rim latch - Left hand (site reversible)	SE; SS*; PS*; PB*
<b>1438.R</b>	Push pad emergency exit device with rim latch - Right hand (site reversible)	SE; SS*; PS*; PB*
<b>1438M.L</b>	Push pad emergency exit device with rim latch for metal doors - Left hand (site reversible)	SE; SS*; PS*; PB*
<b>1438M.R</b>	Push pad emergency exit device with rim latch for metal doors - Right hand (site reversible)	SE; SS*; PS*; PB*

\* PVD plated finishes

## 376 Series - Accessories



### Pullman latches

For doors that are subject to high levels of traffic, for example interconnecting doors in high populated areas, pullman latches on a vertical panic bolt provide a smooth and quiet alternative.

Pullman latches are supplied as standard on Briton 376.P, 372.P and 376.PD. To upgrade existing installations, pullman latch kits 376/931 can be supplied separately.

Also available with metal threaded screws (376M.P, 372M.P).



### 376ELTS - Extra long top shoot

Suitable for use on doors that require the push bar to be in a lower position e.g schools or on doors up to 3350mm high (doors over 2500mm are outside the scope of EN 1125 and EN 179).



### 378DDS - Double door strike

For use on rebated double door combinations when using a rim latch device (e.g 378, 1438)



### 376FFKP - Flush face keeper plate

For applications where there is a flush head frame a flush face keeper plate can be used to secure the bolt.

### Metal door applications

**Briton 378MDS** metal door strike for use with Briton 378 rim devices on single doors, or on the first opening leaf of a double rebated application.



**Briton 379MDS** metal box strike for use with Briton 379.N mortice panic nightlatch.



### Briton 376MDS

For vertical panic bolts. Comprises 2 strike plates and 1 trip plate to activate the top tripper



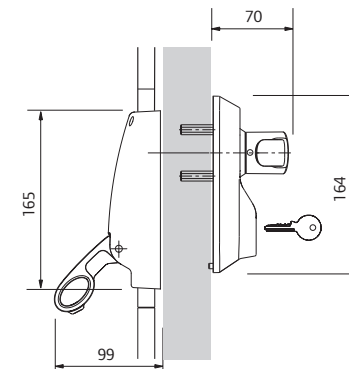
## 376 Series - Outside Access

A series of outside access devices which can be used with any Briton 376 Series panic and emergency exit devices. They provide a simple means of accessing the door from the outside.

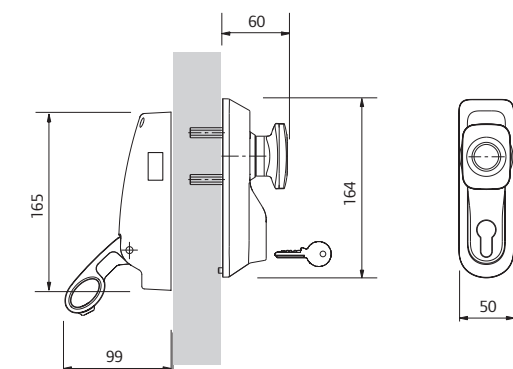
- Designed to suite with all Briton CE compliant exit devices
- Suitable for doors 40mm to 70mm thick
- Fixings suitable for timber & metal doorsets
- Powder coated for additional durability – silver, gold and brown bronze
- Choice of plated finishes – satin stainless steel, polished stainless steel and polished brass
- Illustrated instructions and template enabling accurate installation



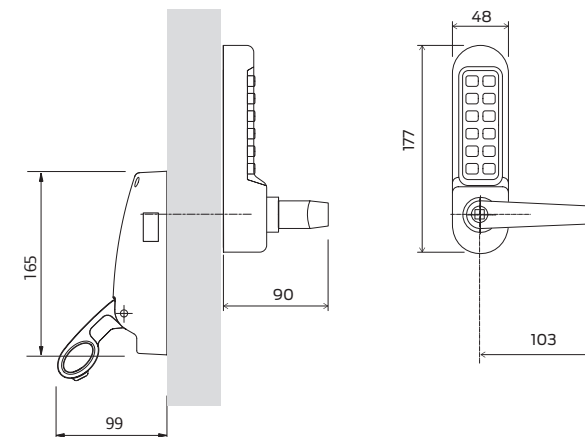
Briton 1413.LE



Briton 1413.KE



Briton 9260



all dimensions are in mm

### Briton 1413.KE – knob variant

- Ergonomic design providing improved grip in wet conditions.
- Supplied with euro-profile standard differ cylinder
- Keyed-alike or master-keyed cylinder options available
- Optional key retention
- Non-handed
- Note: not recommended for high use areas

### Briton 1413.LE - lever variant

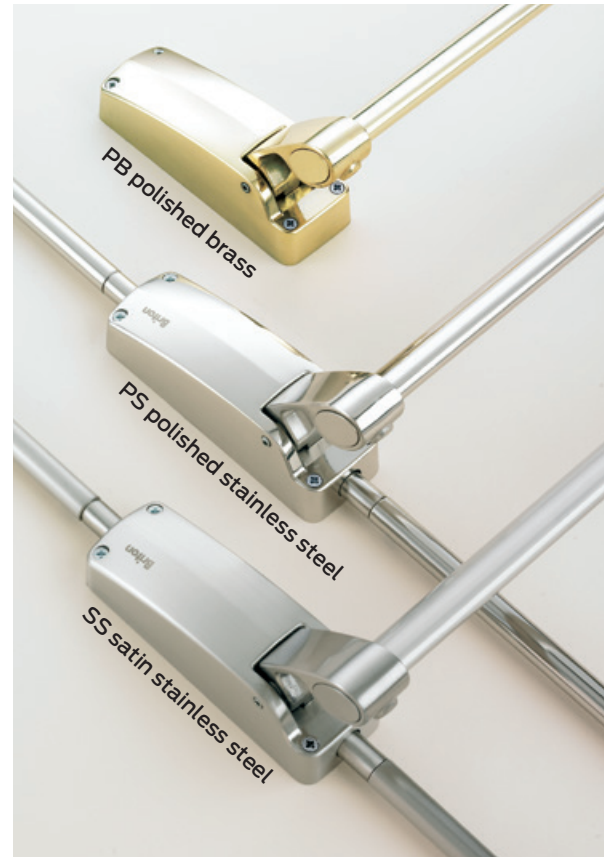
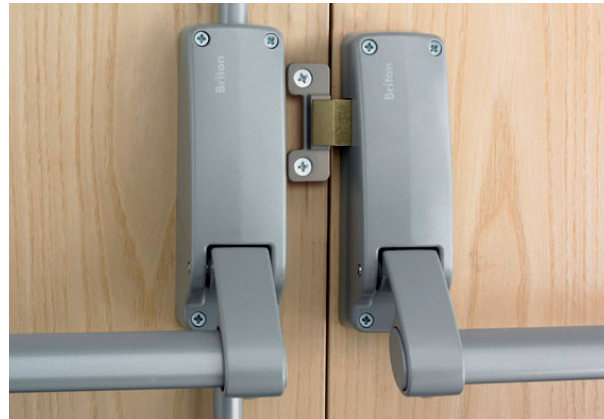
- Anti vandal design with clutch mechanism allows the lever to rotate when the unit is locked
- Built-in clutch mechanism for tamper protection
- Site reversible lever provides good grip and easy action
- Easy retrofit on existing Briton 1413E models
- Supplied with euro-profile standard differ cylinder
- Keyed-alike or master-keyed cylinder options available
- Cylinders can be incorporated in existing masterkey systems
- BS 8300 compliant lever
- Optional key retention

### Briton 9260 digital code lock

- Digital code lock option has over 2047 non sequential code options
- Supplied with extra long spindles for use with Briton exit devices
- Reversible lever operation for left or right hand applications
- Code changed by removing the unit from the door
- Not suitable for use with 389.N

Device Type	376/376.A/376.D	376.P/376.PD	377	378/378.D	379.N/379.NA/379.ND	372/372.P	389.N	1438
Briton 1413.KE	■	■	■	■	■	■	■	■
Briton 1413.LE	■	■	■	■	■	■	■	■
Briton 9260	■	■	■	■	■	■	■	■

## 376 Series - Guide to Finishes



All 376 Series exit devices and outside access devices are available in:

### **Powder coated finishes**

Silver (SE) finish is powder coated for increased durability having been salt-spray tested in excess of 240 hours. We recommend you use Silver (SE) finish for highly corrosive areas.

### **Metallic plated finishes**

**SS** - Satin stainless steel

**PS** - Polished stainless steel

**PB** - Polished brass

Double door strikes and metal door strikes are available colour matched.



Note: special colours may also be supplied.



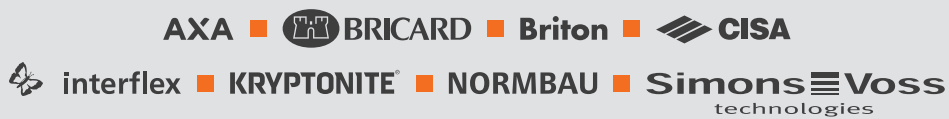
Cl/Sfb	(31.59)	X	
Uniclass	L4181		

July 2020

## About Allegion

Allegion (NYSE: ALLE) is a global pioneer in seamless access, with leading brands like CISA®, Interflex®, LCN®, Schlage®, SimonsVoss® and Von Duprin®. Focusing on security around the door and adjacent areas, Allegion secures people and assets with a range of solutions for homes, businesses, schools and institutions. Allegion had \$2.7 billion in revenue in 2018, and sells products in almost 130 countries.

For more, visit [allegion.com](http://allegion.com)



### Allegion (UK) Limited

35 Rocky Lane  
Aston  
Birmingham  
B6 5RQ

Tel: +44 (0) 121 380 2400  
Email: [contactuk@allegion.com](mailto:contactuk@allegion.com)  
Web: [allegion.co.uk](http://allegion.co.uk)