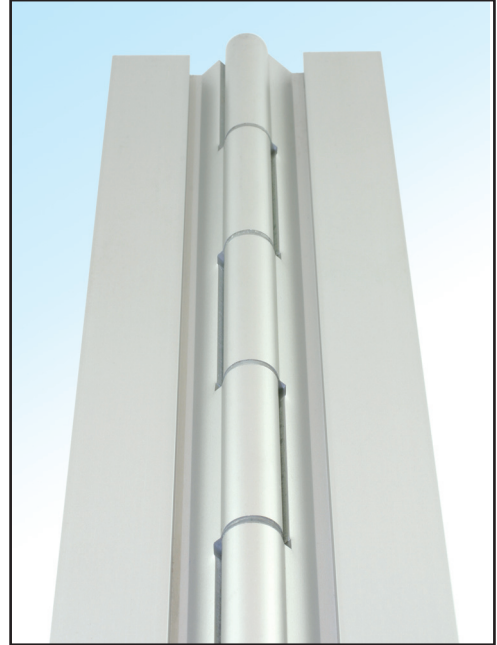


FS-102

Aluminium Full Surface Flush Mount Hinge

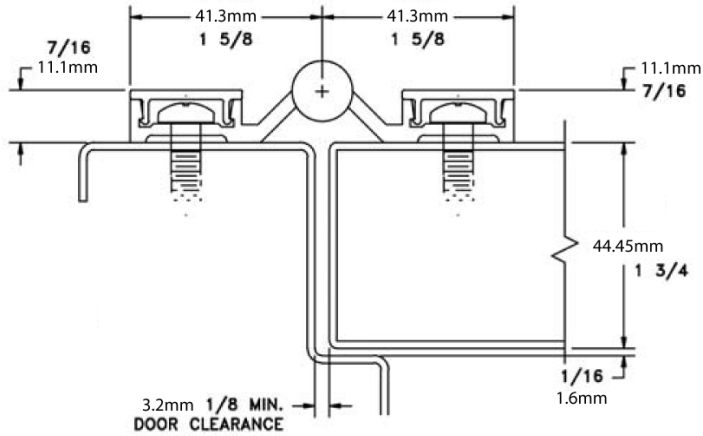
The Adams Rite FS-102 Aluminium full surface flush mount hinge solves door sag problems on flush-mounted doors.



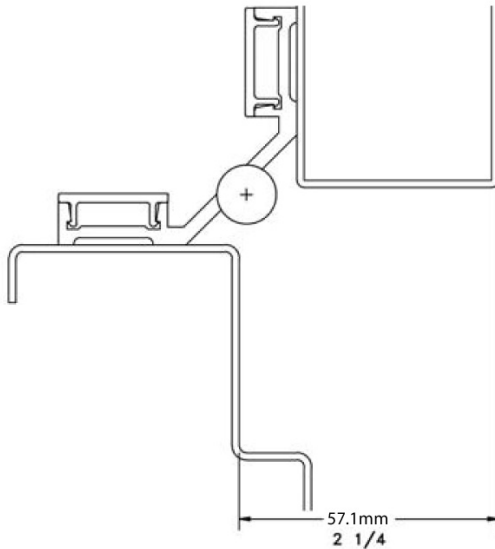
Key Benefits

- Suitable for use on aluminium doors
- The FS-102 suits all types of aluminium, wood and hollow metal door applications
- Can be cut down to required length, reducing stock holding
- Tamper-resistant cover caps to prevent vandalism
- Provides protection from attack as covers full length of door

Dimensions



DOOR CLOSED



DOOR OPEN 90°

Specifications

Material:	6063-T6 aluminium.
Finish:	Clear satin (628).
Cycle Testing:	Grade 2 • ANSI/BHMA Standard A156.26.
Mounting Hardware:	No exposed mounting fasteners when closed. Universal screw pack.
Capacity:	Supports weights up to 272kg (600lbs). 1219mm (48") maximum door width.
Stock size:	2133mm (84").
Locking Security	
Covers:	Brushed aluminium finish.
Barrel Type Hinge:	6.35mm (1/4") diameter Teflon-coated stainless steel pin.

Ordering Codes

FS-102-84"

FS-102 Full Surface Flush Mount Aluminium Hinge, 3.3m (84") Long